

All information contained in this manual is based on the latest product information at the time of publication. Bajaj Auto Limited accepts no liability for any inaccuracies or omissions in this publication, although every possible care has been taken to make it as complete and accurate as possible. All procedures and specifications subject to change without prior notice. The right is reserved to make such changes at any time without prior notice and without incurring an obligation to make such changes to product manufactured previously. Contact your authorized Bajaj Dealer for the latest information on product improvements incorporated after this manual was issued.

DOC. NO.: 7111XXXX

REV. 01, JULY. 2017



We have pleasure in presenting the Spare Parts Catalogue for **RE COMPACT, COMPACT⁺, MAXIMA & CARGO DIESEL** Vehicles. This catalogue has been specially designed to assist you in selecting the correct parts to maintain your vehicle in best running condition.

The Bajaj spares are subjected to the stringent quality control standards to ensure longer life of the vehicle. It is therefore necessary that only the Genuine Bajaj Spares are used.

In a continual effort to improve performance and efficiency of the vehicle, Specifications, Diagrams, Illustrations and Part Numbers can change without notice. Consequently, the description in this Spare Parts Catalogue cannot therefore be final and binding on us.

The modifications/ alterations which are carried out after the issue of this catalogue, will be conveyed to you through our service circulars. You are requested to make necessary corrections in the parts catalogues as per the circulars so as to keep your catalogues up to date. This will ensure the appropriate and speedy delivery of the spare parts as the order placed will bear the latest part numbers.

For latest information of serviceable spares, refer catalogues on dealer portal.

In case, if you need any technical assistance contact the concerned Regional Office or write to us on the following address :

Service Department CV

Bajaj Auto Ltd.

Akurdi, Pune 411 035 India

Phone : 020-66106447

E-mail : service@bajajauto.co.in

INSTRUCTIONS FOR USING THE CATALOGUE



1. How to Read the Catalogue : Open the catalogue and from the pictorial index locate the group in which the part you want to find is present. Turn over to the concerned page number (as given by pictorial index). Now find out the figure of the part you wish to order. Write down the part number against that particular figure number from the text.

In case, if you have the part number and you need the other details, the part index can be used. The part index (at the end of the catalogue) will give you the figure and page number of the part you wish to order.

2. How to Order Spare Parts : The part number and the description of the part required should be invariably mentioned in the order as per the catalogue text.

The latest part number as conveyed through our service circulars should only appear on the order. In case of ordering painted components, colour shade of the components should be mentioned.

The quantity shown against the part number is the quantity per vehicle for that group so that particular quantity should be multiplied by the number of sets required.

3. Part Number System : We have used 8 digit system for part numbers. The model or hardware item is indicated by first two digits or alphanumeric, the next two or four digits indicate main group and the last four or two digits indicate serial number in main group or serial number or subgroup of fastener respectively. Thus the part numbers will be indicated by 2-4-2 digit system. Understanding this system will enable you to identify the spare parts easily.

4. Abbreviations : The following abbreviations are used in this catalogue.

assly.	Assembly	C' case	Crankcase
Cyl	Cylinder	Comp.	Complete
alt.	Alternate	RR	Rear
RH	Right hand	Hex.	Hexagonal
LH	Left hand	FR	Front
NS	Not serviceable	bkt	Bracket
LL	Kerala	Z	Maxima Z

INDEX



S.N.	Description	Page No.	S.N.	Description	Page No.
1	Engine, Cylinder Crankcase	1,2	42	Trailing arm Compact+,Maxima	48
2	Piston & Connecting Rod Assly	3	43	Rear Hub & Axle	49,50
3	Cam shaft Assembly	4	44	Front Hub & FR Shock Absorber	51,52
4	Crankshaft Assembly	5	45	Front Brake Drum	53,54
5	Governor	6	46	Auto Adjuster Brake System	55,56
6	Speed Control Levers	7	47	Auto Adjuster Brake System	57,58
7	Cover Crankcase & weight balancer	8	48	Steering Column & Fork Assly	59,60
8	Oil Pump	9	49	Front shock absorber & linkage	61
9	Clutch	10	50	Front Mudguard	62
10	Clutch Shaft Assly	11	51	Brake Pipes	63
11	Main Housing	12	52	TMC & Brake Pedal Bolttable	64
12	Gear Box Cover	13	53	Brake Pedal	65
13	Gear Shifter Assly	14	54	Brake Pedal Maxima Z	66
14	Gear Transmission	15,16	55	Handle Bar Assembly	67,68
15	Main shaft Assly	17	56	Dashboard - Compact & Optima	69,70
16	Differential Gear Assly Compact	18	57	Dashboard - Maxima & Cargo	71,72
17	Differential Gear Assly	19	58	Control Cables	73,74
18	Differential Cover Assly	20	59	Cabin assembly(CARGO)	75,76
19	Cylinder Head	21,22	60	Steering & Head lamp Cover	77
20	Rocker Arm	23	61	Windshield & Wiper Motor	78
21	Cylinder Head Cover	24	62	Chassis	79,80
22	Oil Cooler	25	63	Wiring harness	81,82
23	Air Filter Compact	26	64	Body - Compact	83,84
24	Air Filter	27	65	Body - Optima	85,86
25	Air Intake Compact	28	66	Body - Maxima Z	87,88
26	Air Intake Compact+&Maima	29,30	67	Body - Maxima/Cargo	89,90
27	Air Intake Maxima C	31	68	Seat - Compact	91
28	Battery	32	69	Seat - Maxima	92
29	Silencer	33	70	Seat - Compact+	93,94
30	Alternator & Starter Motor	34	71	Hood Frame - Compact	95
31	Fuel Tank Assly	35,36	72	Hood Frame - Maxima	96
32	Fuel Filter Assly	37,38	73	Hood Frame - Compact+	97,98
33	Injection Pump & Nozzle Holder	39	74	Hood Frame- Maxima Z Upgrade	99,100
34	Engine Mounting - Maxima	40	75	Door assembly (cargo)	101,102
35	Engine Mounting - Compact	41	76	Head Light & Indicator	103
36	Engine Mounting - Compact+	42	77	Tail Lamp	104
37	Propeller shaft / Flanges	43	78	Electrical units	105
38	Drive shaft CV	44	79	Switches	106
39	Rear Wheel Assly	45			
40	Rear Shock absorber	46			
41	Trailing arm Compact & Maxima Z	47			

Pictorial Index



PLATE NO. : 1
ENGINE, CYLINDER CRANKCASE

PAGE NO.:
1,2

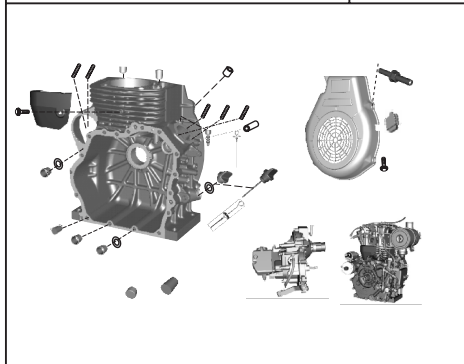


PLATE NO. : 3
CAM SHAFT ASSEMBLY

PAGE NO.:
4

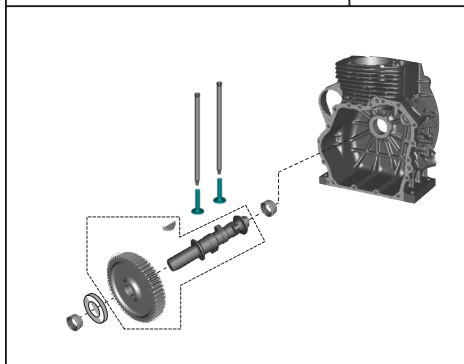


PLATE NO. : 5
GOVERNOR

PAGE NO.:
6

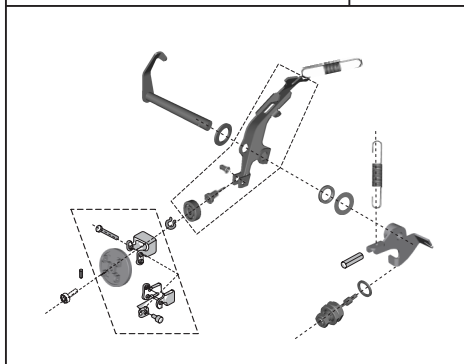


PLATE NO. : 2
PISTON & CONNECTING ROD ASSLY

PAGE NO.:
3

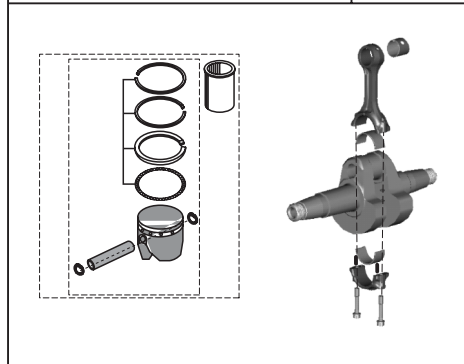


PLATE NO. : 4
CRANKSHAFT ASSEMBLY

PAGE NO.:
5

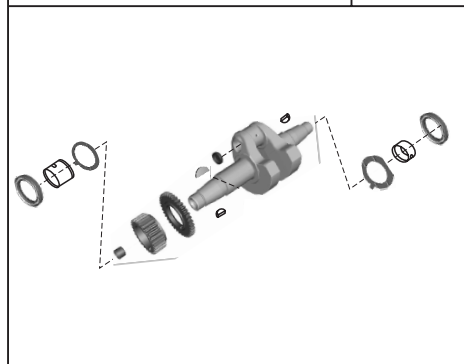
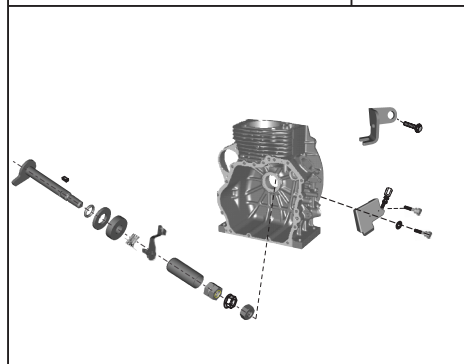


PLATE NO. : 6
SPEED CONTROL LEVERS

PAGE NO.:
7



Pictorial Index



PLATE NO. : 7
COVER CRANKCASE & WEIGHT BALANCER

PAGE NO.:
8

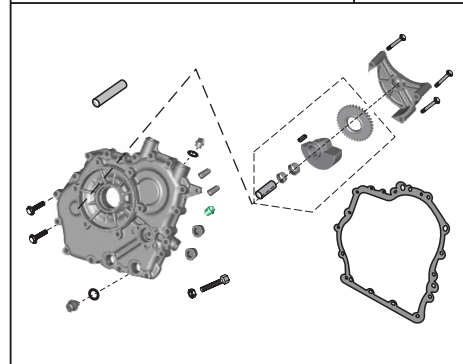


PLATE NO. : 9
CLUTCH HOUSING

PAGE NO.:
10

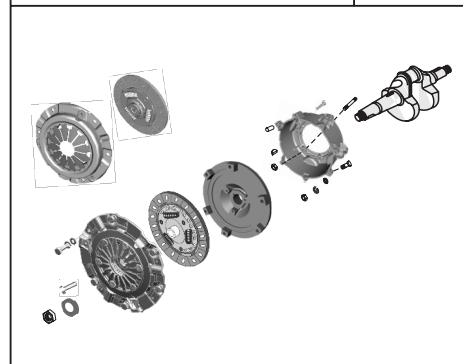


PLATE NO. : 11
MAIN HOUSING

PAGE NO.:
12

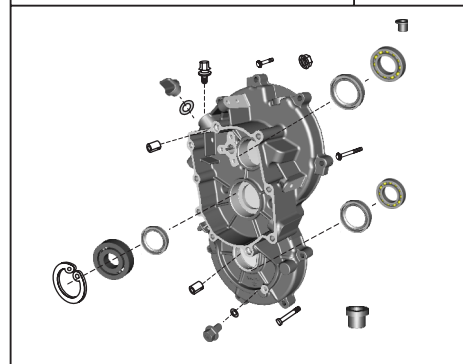


PLATE NO. : 8
OIL PUMP

PAGE NO.:
9

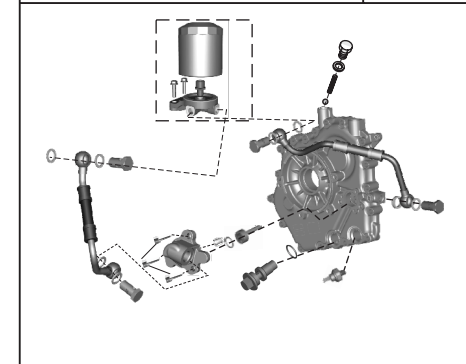


PLATE NO. : 10
CLUTCH SHAFT ASSLY

PAGE NO.:
11

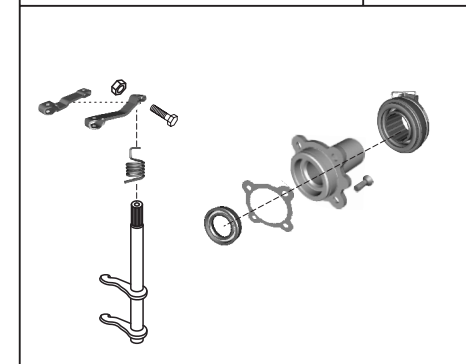
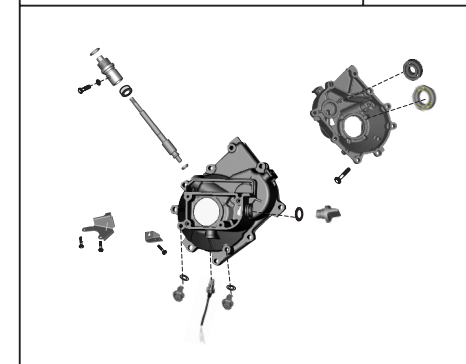


PLATE NO. : 12
GEAR BOX COVER

PAGE NO.:
13



Pictorial Index

RE DSL-BS4

PLATE NO. : 13
GEAR SHIFTER ASSLY

PAGE NO.:
14

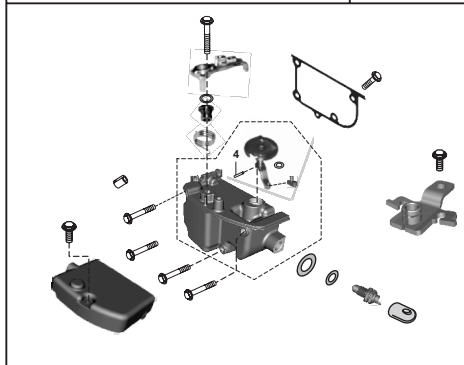


PLATE NO. :14
GEAR TRANSMISSION

PAGE NO.:
15,16

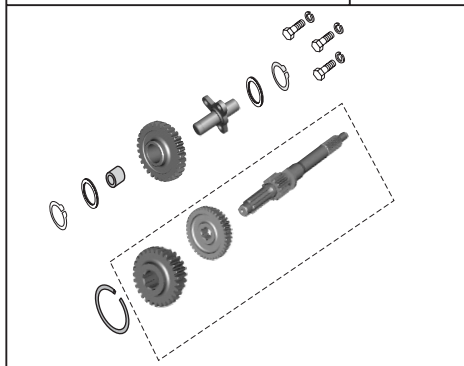


PLATE NO. : 16
DIFFERENTIAL GEAR ASSEMBLY
COMPACT

PAGE NO.:
18

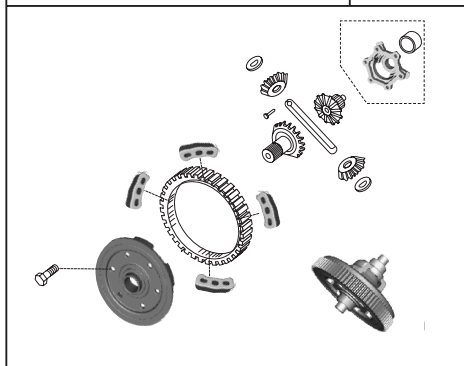


PLATE NO. : 14
GEAR TRANSMISSION

PAGE NO.:
15,16

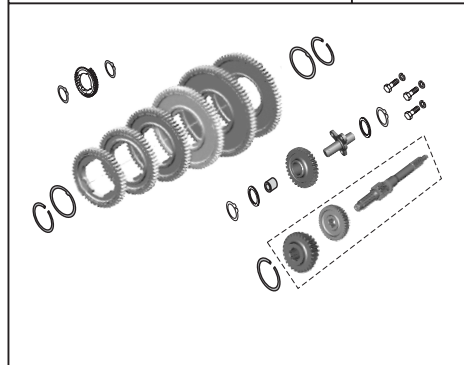


PLATE NO. : 15
MAIN SHAFT ASSEMBLY

PAGE NO.:
17

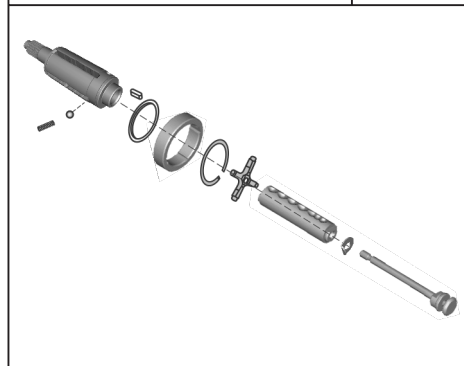
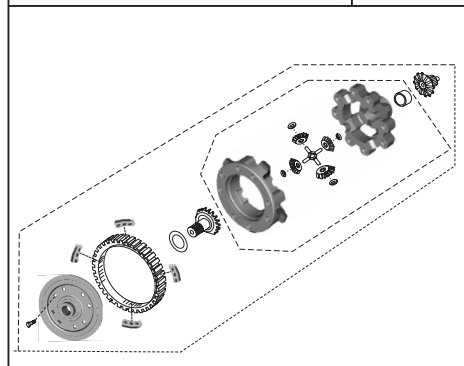


PLATE NO. : 17
DIFFERENTIAL GEAR ASSEMBLY
MAXIMA

PAGE NO.:
19



Pictorial Index

RE DSL-BS4

PLATE NO. : 18
DIFFERENTIAL COVER ASSEMBLY

PAGE NO.:
20

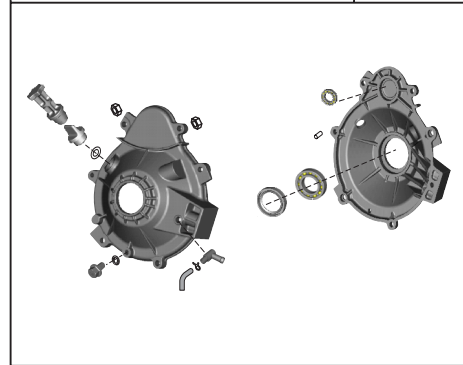


PLATE NO. : 20
ROCKER ARM

PAGE NO.:
23

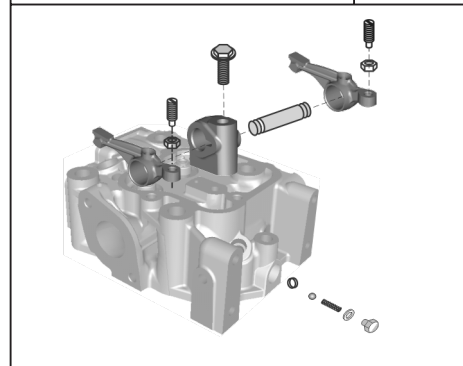


PLATE NO. : 22
OIL COOLER

PAGE NO.:
25

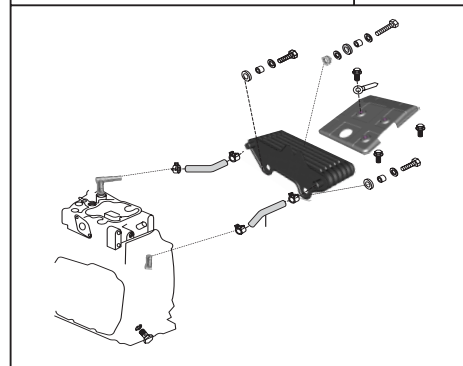


PLATE NO. : 19
CYLINDER HEAD

PAGE NO.:
21,22

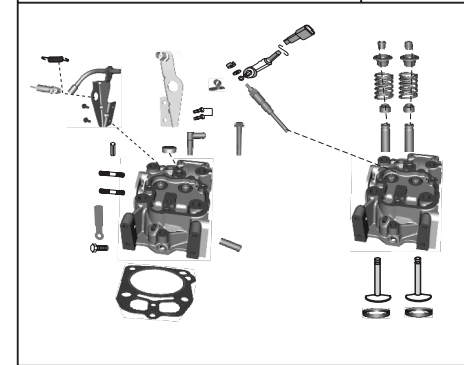


PLATE NO. : 21
CYLINDER HEAD COVER

PAGE NO.:
24

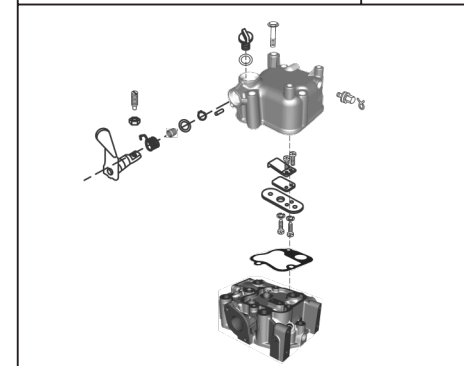
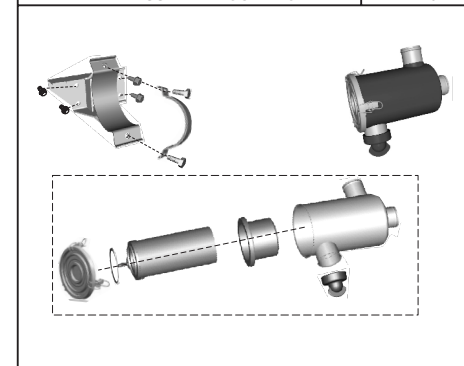


PLATE NO. : 23
AIR FILTER ASSEMBLY COMPACT

PAGE NO.:
26



Pictorial Index



PLATE NO. : 24
AIR FILTER ASSEMBLY

PAGE NO.:
27

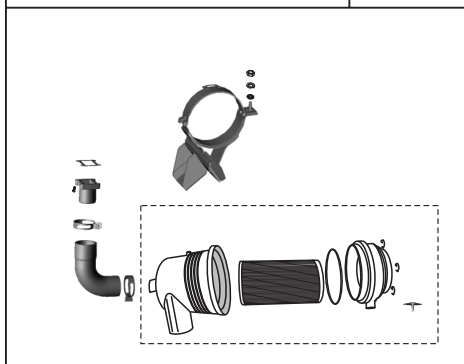


PLATE NO. : 26
AIR INTAKE -COMPACT+/MAXIMA

PAGE NO.:
29,30

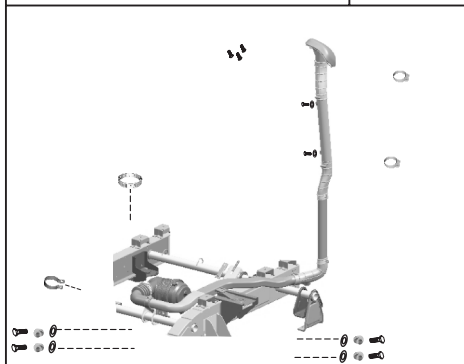


PLATE NO. : 28
BATTERY

PAGE NO.:
32

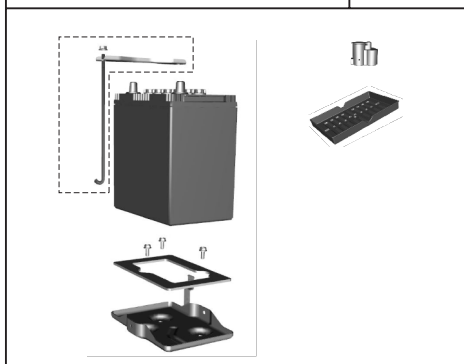


PLATE NO. : 25
AIR INTAKE ASSLY - COMPACT

PAGE NO.:
28

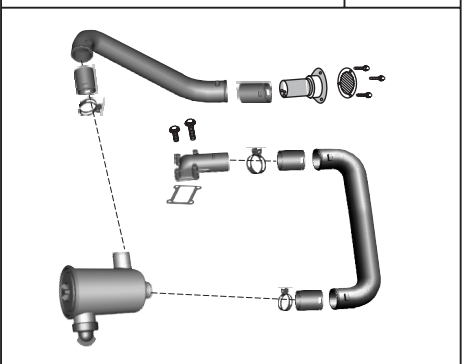


PLATE NO. : 27
AIR INTAKE - MAXIMA C

PAGE NO.:
31

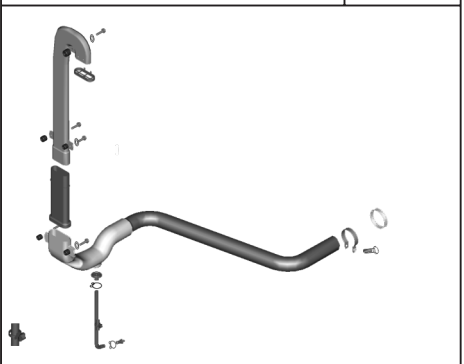
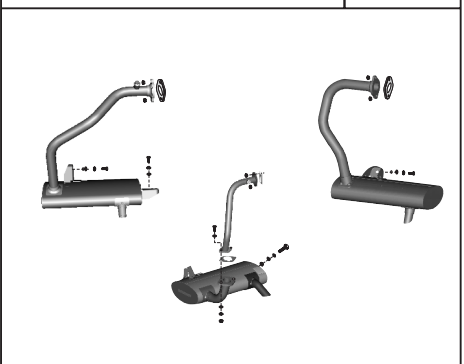


PLATE NO. : 29
SILENCER

PAGE NO.:
33



Pictorial Index



PLATE NO. : 30
ALTERNATOR & STARTER MOTOR

PAGE NO.:
34

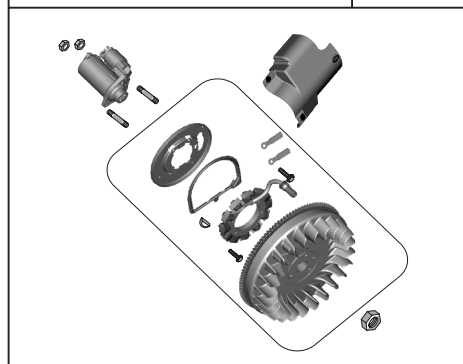


PLATE NO. : 32
FUEL FILTER ASSEMBLY

PAGE NO.:
37,38

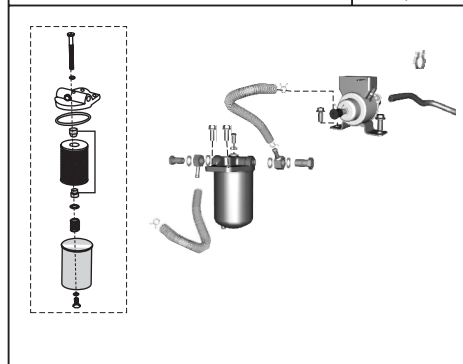


PLATE NO. : 34
ENGINE MOUNTING - MAXIMA C

PAGE NO.:
40

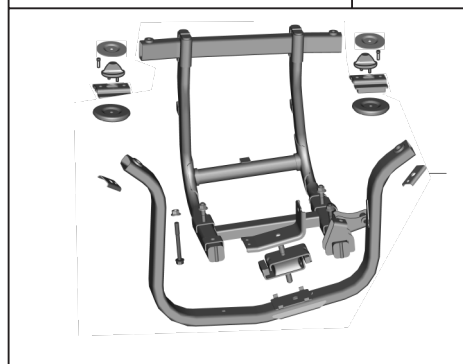


PLATE NO. : 31
FUEL TANK ASSEMBLY

PAGE NO.:
35,36

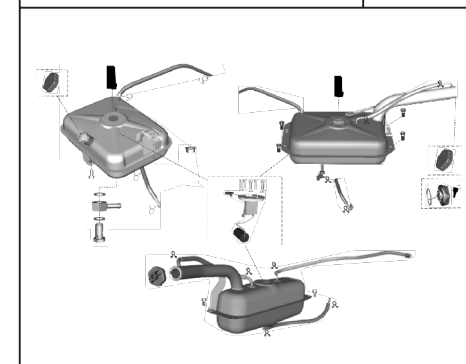


PLATE NO. : 33
INJECTION PUMP & NOZZLE HOLDER

PAGE NO.:
39

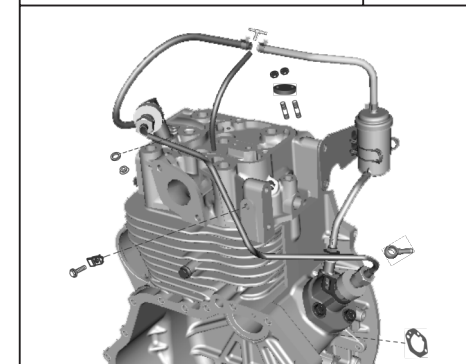
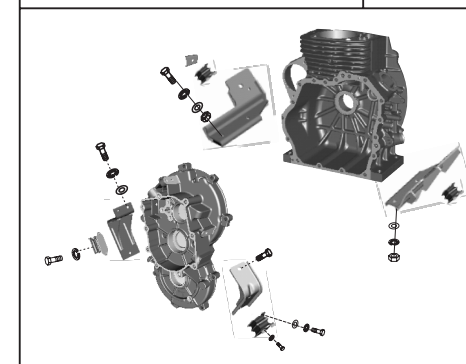


PLATE NO. : 35
ENGINE MOUNTING - COMPACT

PAGE NO.:
41



Pictorial Index

PLATE NO. : 36 ENGINE MOUNTING - COMPACT+	PAGE NO.: 42
--	-----------------

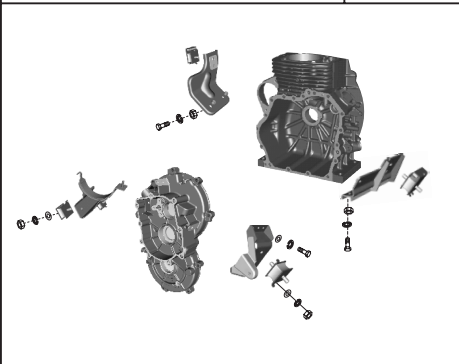


PLATE NO. : 38 DRIVE SHAFT CV	PAGE NO.: 44
----------------------------------	-----------------

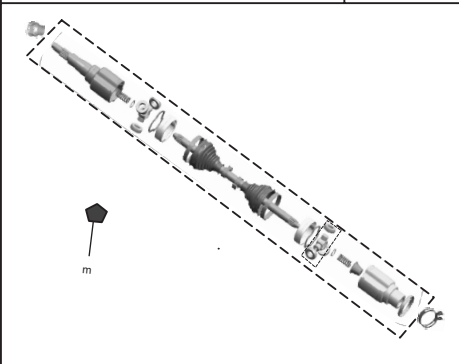


PLATE NO. : 40 REAR SHOCK ABSORBER	PAGE NO.: 46
---------------------------------------	-----------------

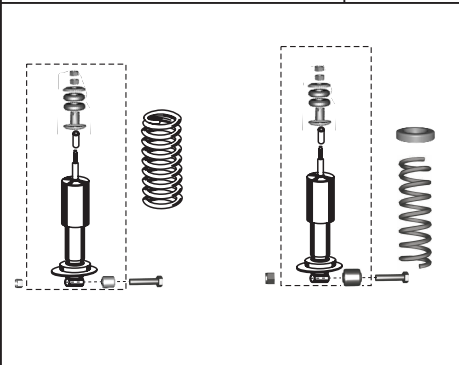


PLATE NO. : 37 PROPELLER SHAFT/FLANGES/COMPACT	PAGE NO.: 43
---	-----------------

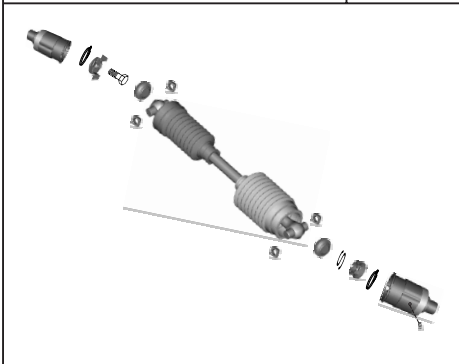


PLATE NO. : 39 REAR WHEEL ASSLY	PAGE NO.: 45
------------------------------------	-----------------

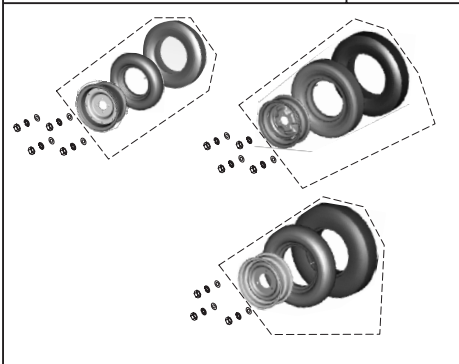
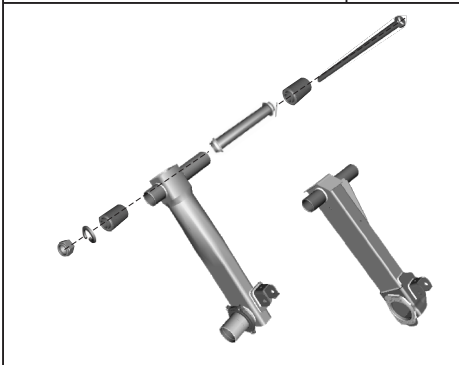


PLATE NO. : 41 TRAILING ARM COMPACT & Maxima Z	PAGE NO.: 47
---	-----------------



Pictorial Index

PLATE NO. : 42 TRAILING ARM COMPACT+,MAXIMA	PAGE NO.: 48
--	-----------------

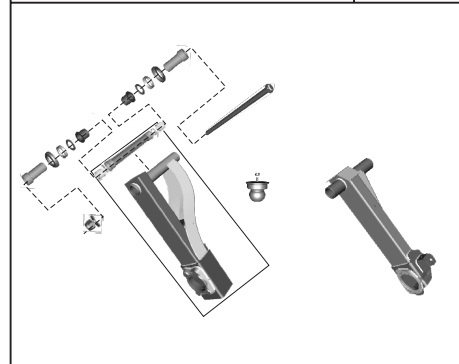


PLATE NO. : 44 FRONT HUB	PAGE NO.: 51,52
-----------------------------	--------------------

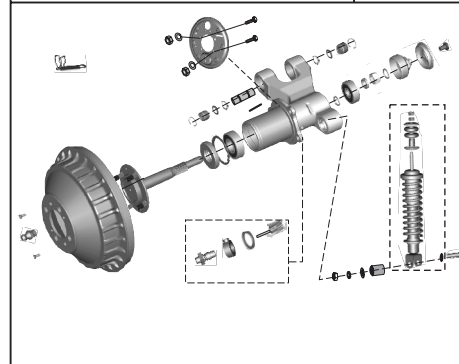


PLATE NO. : 46 AUTO ADJUSTER BRACK SYSTEM	PAGE NO.: 55,56
--	--------------------

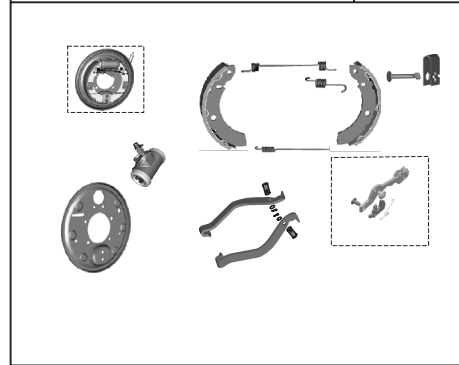


PLATE NO. : 43 REAR HUB & AXLE	PAGE NO.: 49,50
-----------------------------------	--------------------

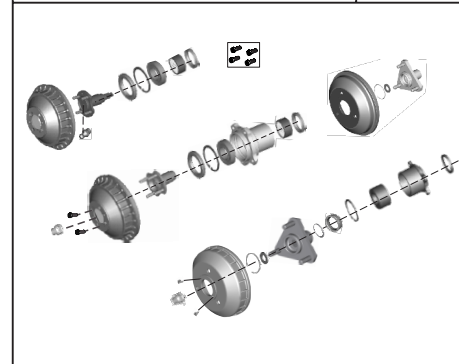


PLATE NO. : 45 FRONT BRAKE DRUM	PAGE NO.: 53,54
------------------------------------	--------------------

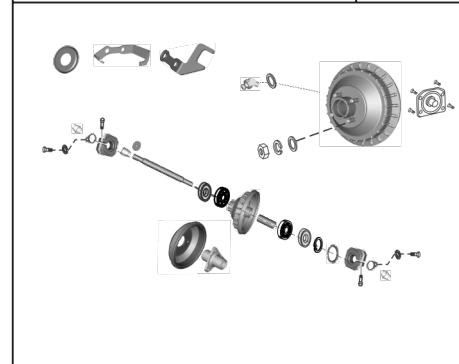
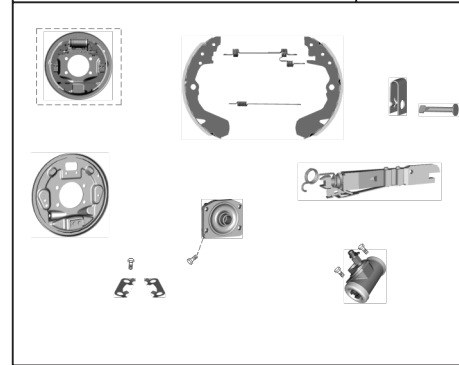


PLATE NO. : 47 AUTO ADJUSTER BRACK SYSTEM	PAGE NO.: 57,58
--	--------------------



Pictorial Index



PLATE NO. : 48
STEERING COLUMN & FORK ASSLY

PAGE NO.:
59,60

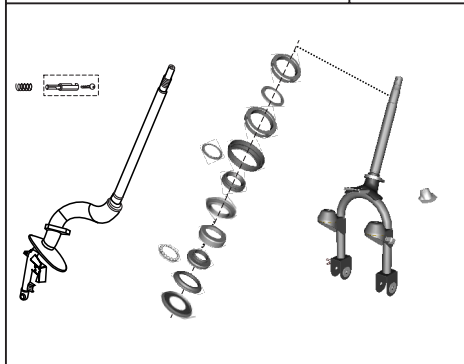


PLATE NO. : 50
FRONT MUDGUARD

PAGE NO.:
62

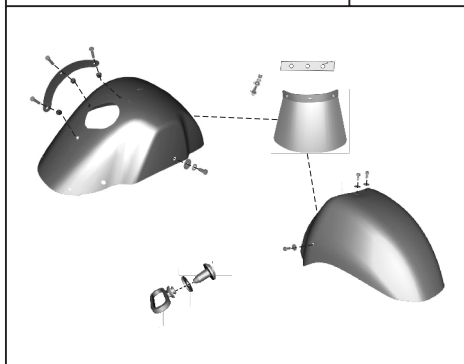


PLATE NO. : 52
TANDEM MASTER CYLINDER

PAGE NO.:
64

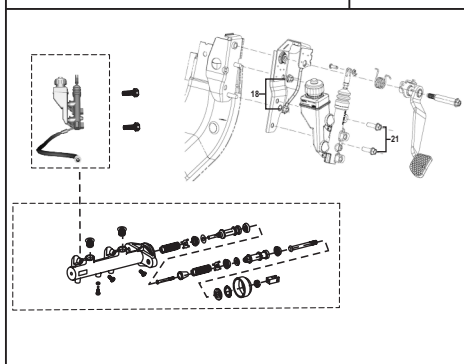


PLATE NO. : 49
FRONT SHOCK ABSORBER & LINKAGE

PAGE NO.:
61

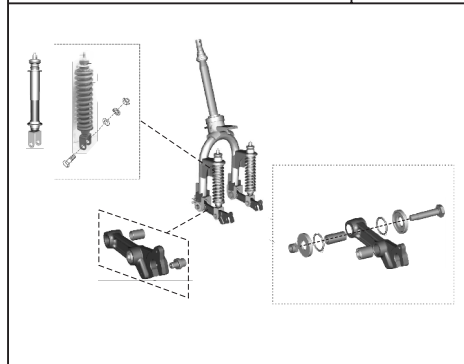


PLATE NO. : 51
BRAKE PIPES

PAGE NO.:
63

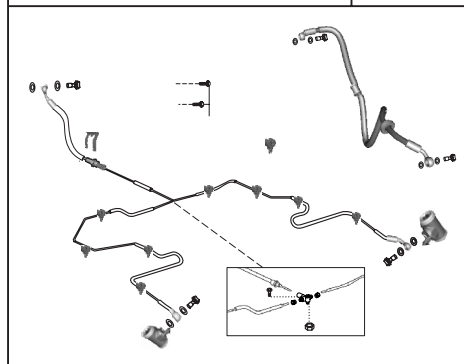
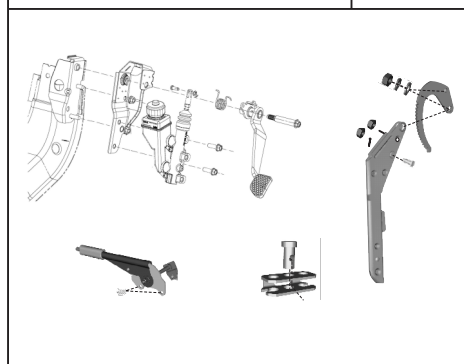


PLATE NO. : 53
BRAKE PEDAL

PAGE NO.:
65



Pictorial Index



PLATE NO. : 54
BRAKE PEDAL

PAGE NO.:
66

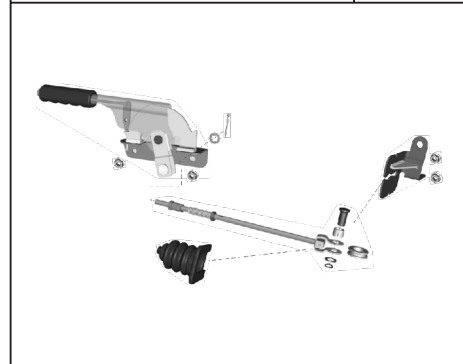


PLATE NO. : 56
DASHBOARD - COMPACT & OPTIMA

PAGE NO.:
69,70

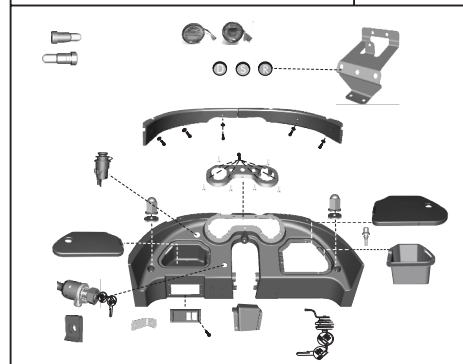


PLATE NO. : 58
CONTROL CABLES

PAGE NO.:
73,74

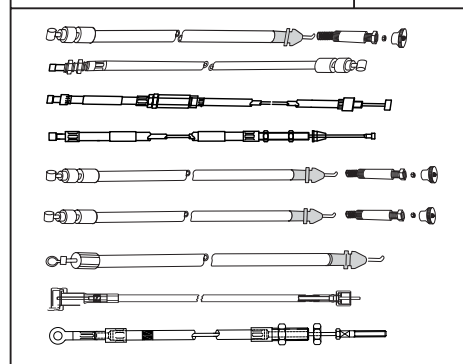


PLATE NO. : 55
HANDLE BAR ASSEMBLY

PAGE NO.:
67,68

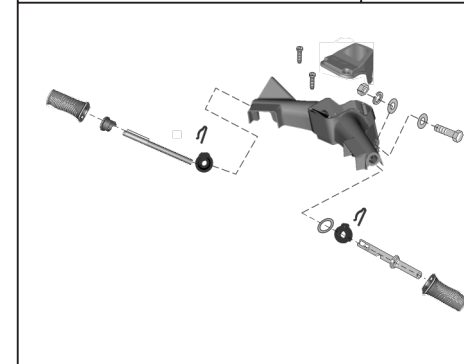


PLATE NO. : 57
DASHBOARD - MAXIMA/CARGO

PAGE NO.:
71,72

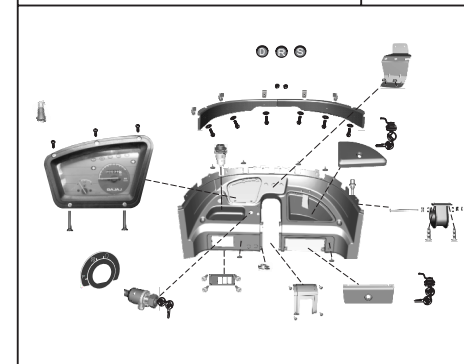
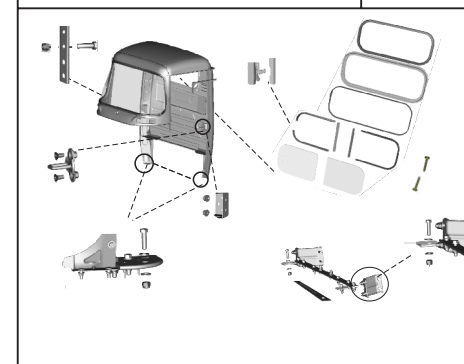


PLATE NO. : 59
CABIN ASSEMBLY(CARGO)

PAGE NO.:
75,76



Pictorial Index



PLATE NO. : 60
STEERING & HEAD LAMP COVER

PAGE NO.:
77

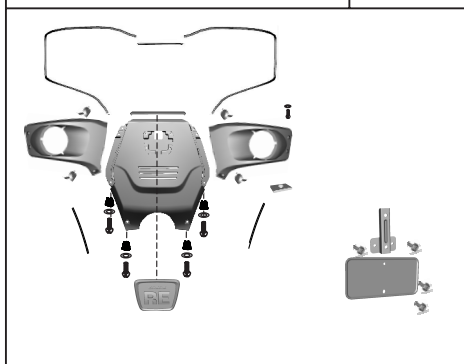


PLATE NO. : 62
CHASSIS

PAGE NO.:
79,80

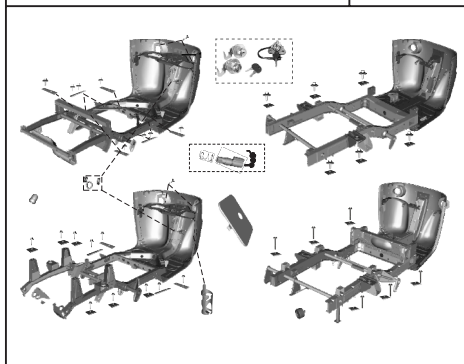


PLATE NO. : 64
BODY- COMPACT

PAGE NO.:
83,84

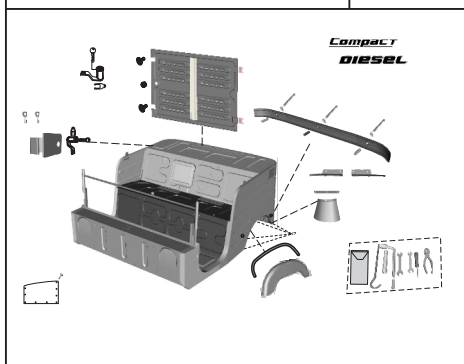


PLATE NO. : 61
WINDSHIELD & WIPER MOTOR

PAGE NO.:
78

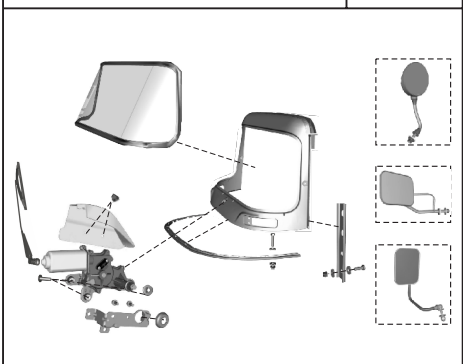


PLATE NO. : 63
WIRING HARNESS

PAGE NO.:
81,82

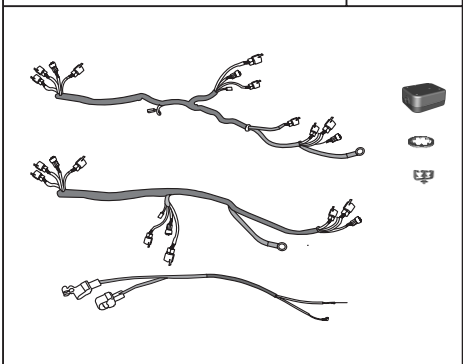
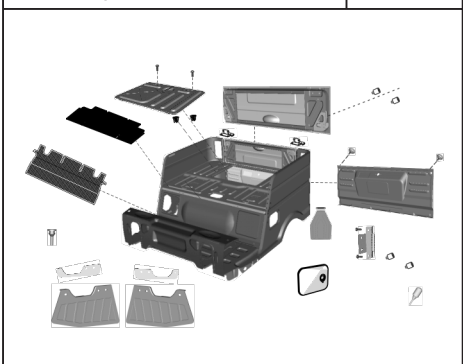


PLATE NO. : 65
BODY- Compact+

PAGE NO.:
85,86



Pictorial Index



PLATE NO. : 66
BODY-MAXIMA Z

PAGE NO.:
87,88

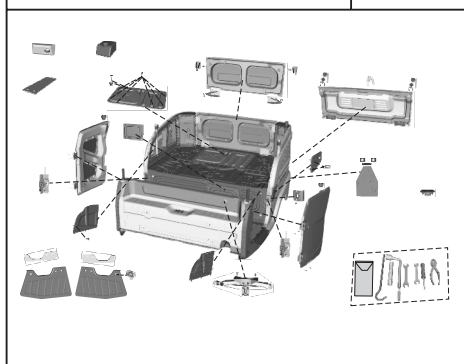


PLATE NO. : 68
SEAT - COMPACT

PAGE NO.:
91

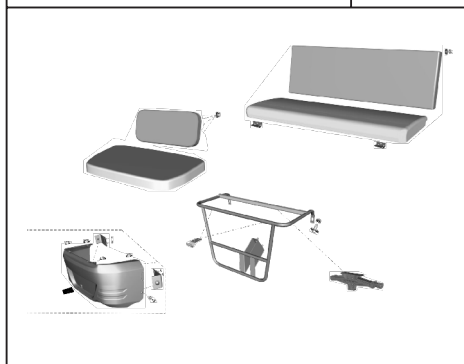


PLATE NO. : 70
SEAT - Compact+ & Maxima Z

PAGE NO.:
93,94

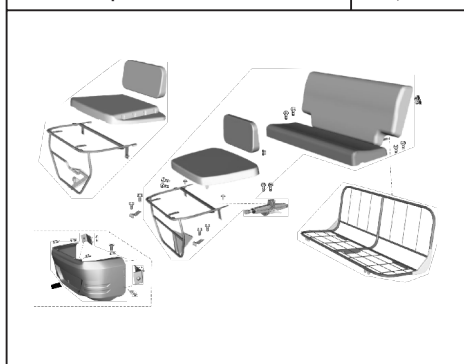


PLATE NO. : 67
BODY-MAXIMA/ CARGO

PAGE NO.:
89,90

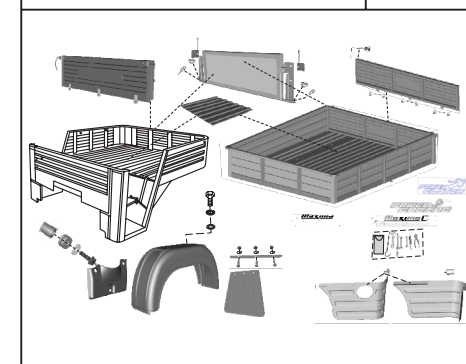


PLATE NO. : 69
SEAT - MAXIMA

PAGE NO.:
92

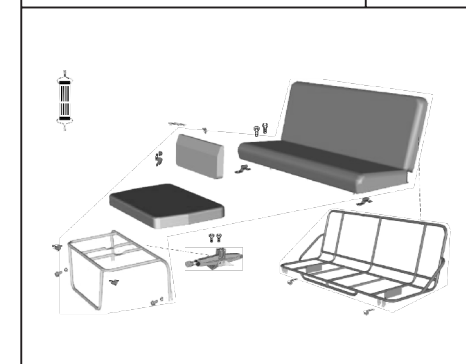
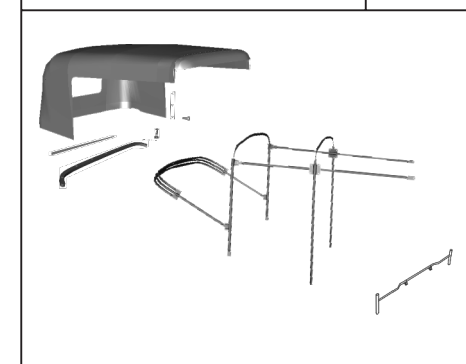


PLATE NO. : 71
HOOD FRAME - COMPACT

PAGE NO.:
95



Pictorial Index

PLATE NO. : 72
HOOD FRAME - MAXIMA

PAGE NO.:
96

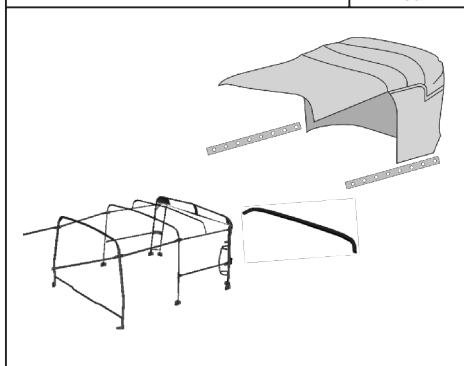


PLATE NO. : 74
HOOD FRAME - MAXIMA Z

PAGE NO.:
99,100

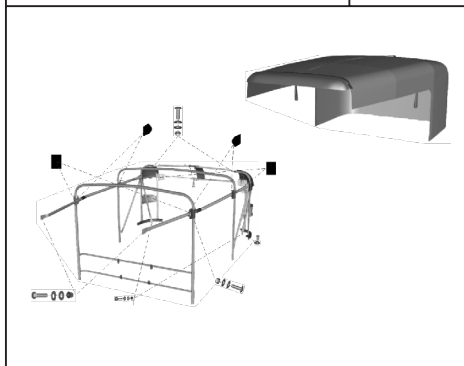


PLATE NO. : 76
HEAD LIGHT & INDICATOR

PAGE NO.:
103

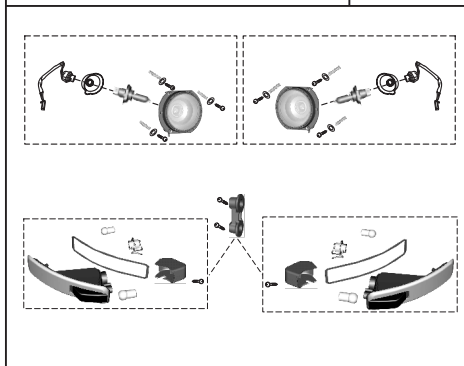


PLATE NO. : 73
HOOD FRAME - COMPACT+

PAGE NO.:
97,98

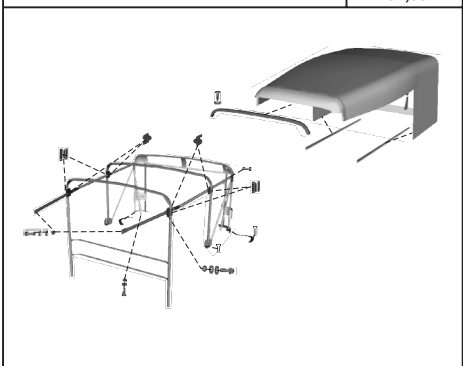


PLATE NO. : 75
DOOR ASSEMBLY (CARGO)

PAGE NO.:
101,102

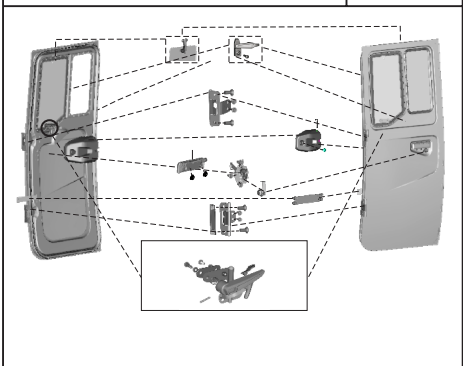
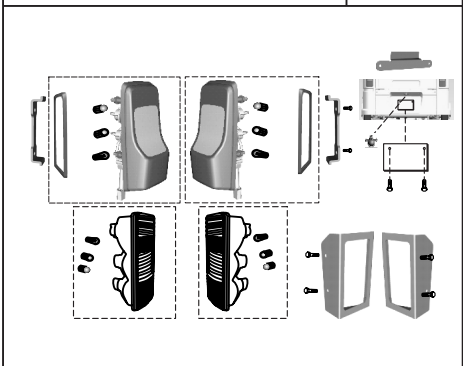


PLATE NO. : 77
TAIL LAMP

PAGE NO.:
104



Pictorial Index

PLATE NO. : 78
ELECTRICAL UNITS

PAGE NO.:
105

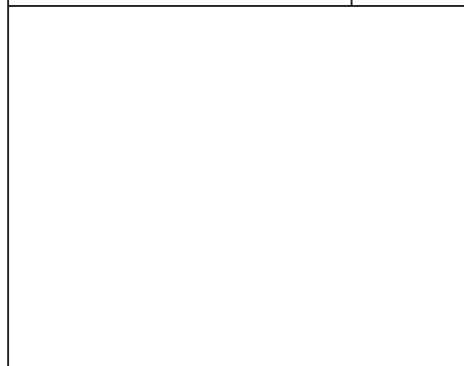
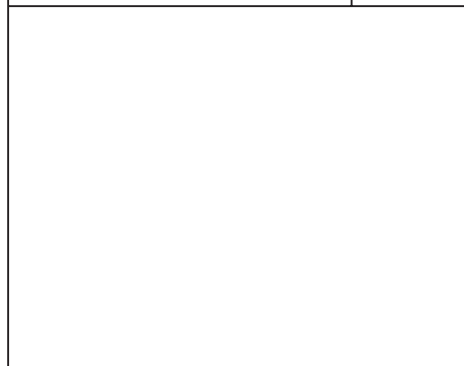
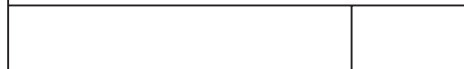
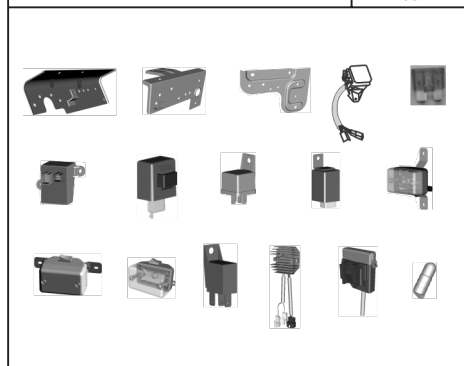
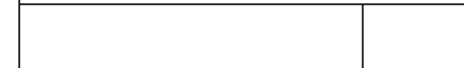
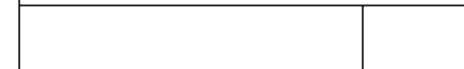
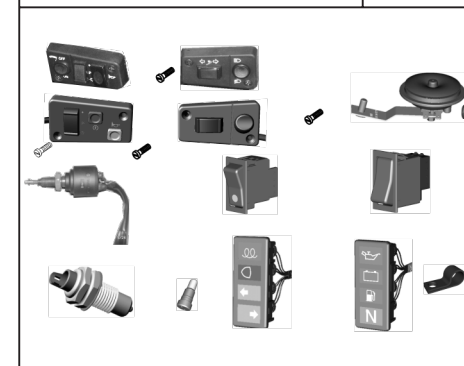
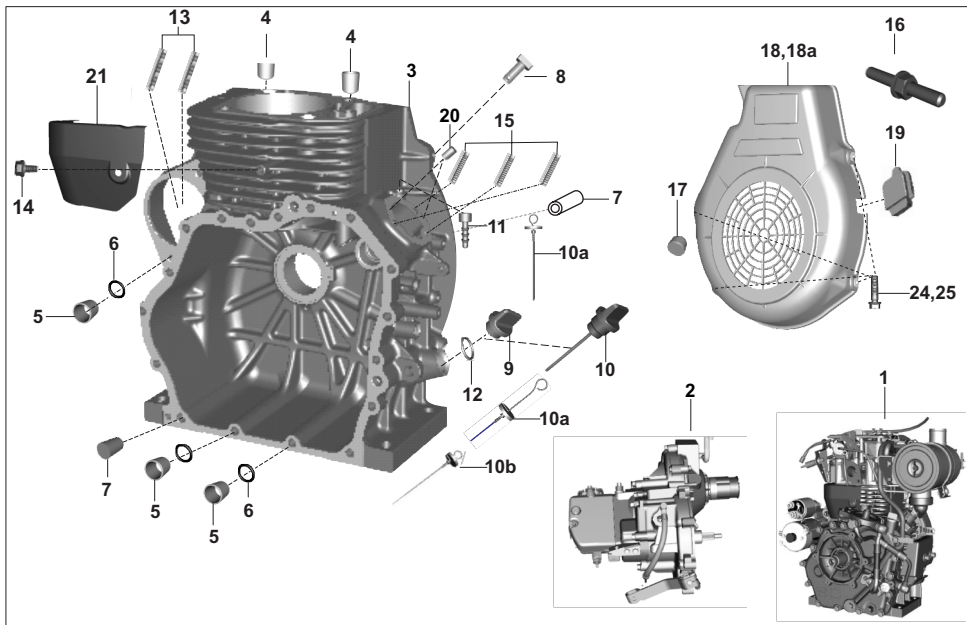


PLATE NO. : 79
SWITCHES

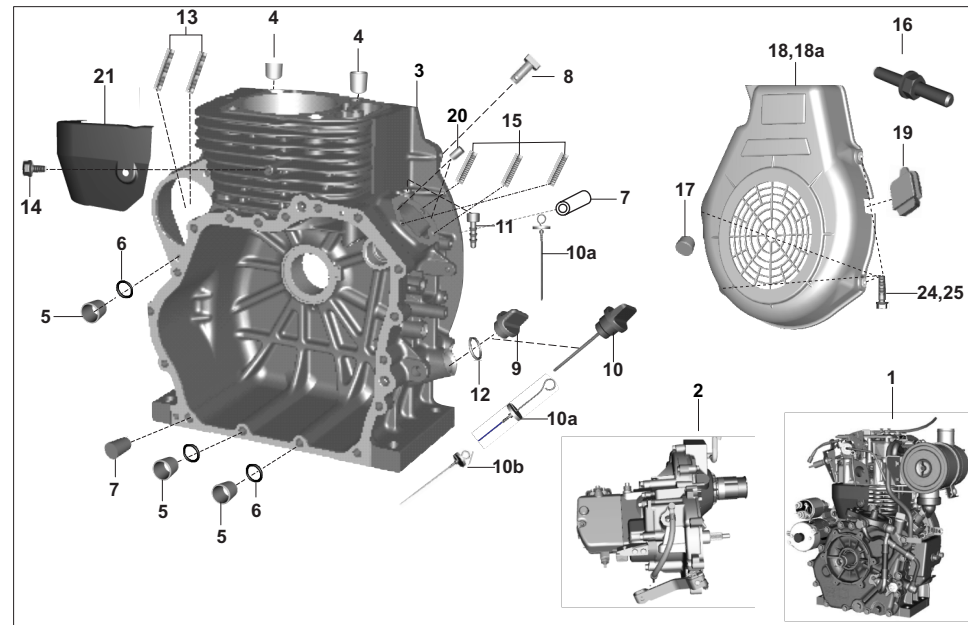
PAGE NO.:
106





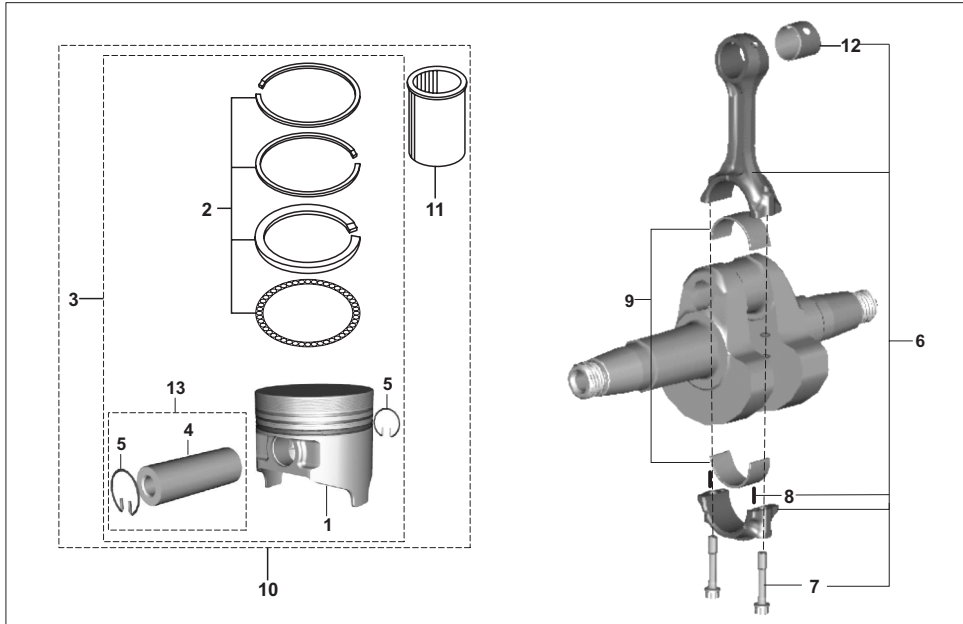
No.	Part No.	Description	BA	BH	BB	AL	Remarks
1	BA103320	Assembly Engine compete.	1	-	-	-	
1	BH501022	Assembly Engine compete.	-	1	-	-	
1	BB103320	Assembly Engine compete.	-	-	1	1	
2	BA133050	Assembly transmission BS4	1	-	-	-	
2	BH551004	Assembly transmission BS4	-	1	-	-	
2	AL133000	Assembly transmission	-	-	1	1	
3	BB103373	Assembly cylinder crankcase	1	-	1	1	
3	BB103332	Assembly cylinder crankcase	-	1	-	-	
4	BA102006	Dowel pin -head	2	2	2	2	
5	BA102008	Pipe pin	3	3	3	3	
6	39101321	O' ring	3	3	3	3	
7	39156906	Spring dowel sleeve	1	1	1	1	
8	BA102009	Pin Dowel	1	1	1	1	
9	BA102038	Plug oil	1	1	1	1	
10	BA102080	Gauge oil	1	-	-	-	
10a	BG501004	Gauge oil	-	1	-	-	
10b	BB103008	Gauge oil	-	-	1	1	
11	BG501006	Plug	1	-	1	1	
12	39156221	'O' ring	1	1	1	1	
13	39163505	Stud - M8 stater motor	2	2	2	2	
14	39168004	Flanged bolt	1	1	1	1	
15	BA100300	Stud M6X1	3	3	3	3	
16	BB100902	Bolt Special	-	1	1	1	

BA - COMPACT
 BH - COMPACT+ / MAXIMA Z
 BB - MAXIMA
 AL - CARGO



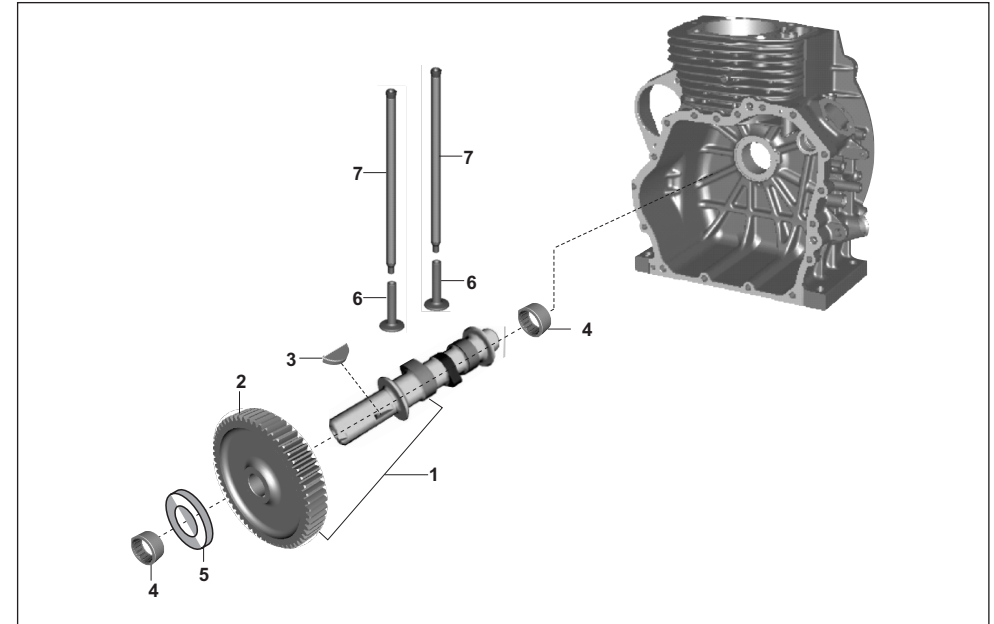
No.	Part No.	Description	BA	BH	BB	AL	Remarks
17	BA102003	Plug - oil hole	1	1	1	1	
18	BG541200	Case spiral	1	1	-	-	
18	BB101110	Case spiral	-	-	1	1	
19	BG541201	Grommet	1	1	1	1	
20	39260607	Parallel pin	1	1	1	1	
21	BB103389	Cowling Crankcase	1	1	1	1	
22	36BB0055	Kit c'case piston assly	1	-	1	1	
23	36BB0056	Kit c'case piston assly-Optima	-	1	-	-	
24	76010936	Thread lock tight 243	1	1	1	1	
25	KAED0622	Bolt small case spiral	4	4	3	3	
26	36BA4023	Kit Oil Seals FL DSL	1	1	1	1	Kit-45

BA - COMPACT
 BH - COMPACT+ / MAXIMA Z
 BB - MAXIMA
 AL - CARGO



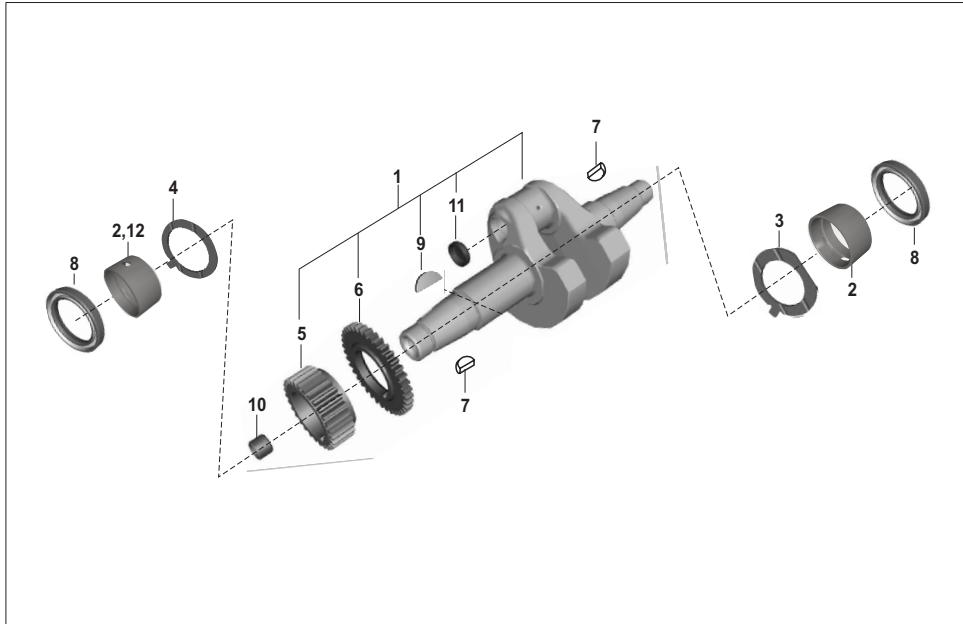
No.	Part No.	Description	BA	BH	BB	AL	Remarks
1	BB103323	Piston standard	1	1	1	1	
2	36BB0012	Piston ring set std	1	1	1	1	Kit-47
3	BB103322	Piston & ring Assembly	1	1	1	1	
4	36BA4027	Kit Piston Pin BA102061	1	1	1	1	
5	BA102062	Piston Pin Circlip	2	2	2	2	
6	BB101165	Assembly con. Rod with 7,8 & 11	1	1	1	1	
7	BB101168	Bolt connecting rod	2	2	2	2	
8	39220307	Pin - parallel	2	2	2	2	
9	BA102064	Bush crank pin	2	2	2	2	
9	BA102174	Metal Crank Pin (Under size)	2	2	2	2	
10	36BB0057	Cylinder liner piston kit	1	1	1	1	
11	BB103372	Cylinder liner Spare for spare	1	1	1	1	
12	BB101170	Bush (piston pin)	1	1	1	1	
13	36BA4027	Kit piston pin gudgeon fl diesel	1	1	1	1	Kit-46

BA - COMPACT
 BH - COMPACT+ / MAXIMA Z
 BB - MAXIMA
 AL - CARGO



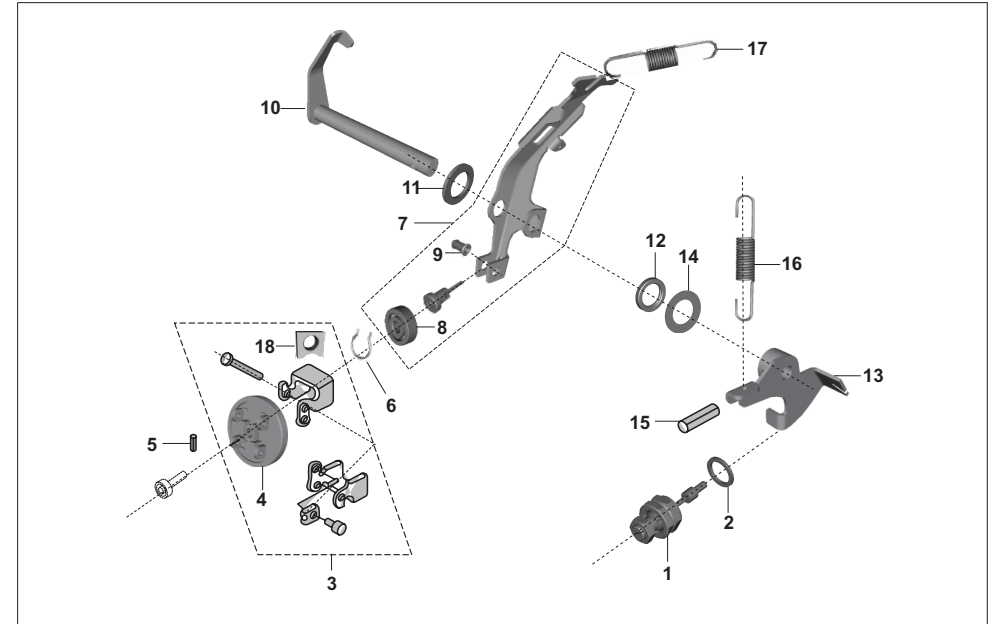
No.	Part No.	Description	BA	BH	BB	AL	Remarks
1	BB103052	Camshaft with gear	1	1	1	1	
2	BA102054	Gear (Cam)	1	1	1	1	
3	BA102129	Woodruff Key	1	1	1	1	
4	39143620	Needle roller bearing	2	2	2	2	
5	BA102055	Shim (Cam Shaft)	1	1	1	1	
6	BA102048	Tappet	2	2	2	2	
7	BB103340	Rod push	2	2	2	2	

BA - COMPACT
 BH - COMPACT+ / MAXIMA Z
 BB - MAXIMA
 AL - CARGO



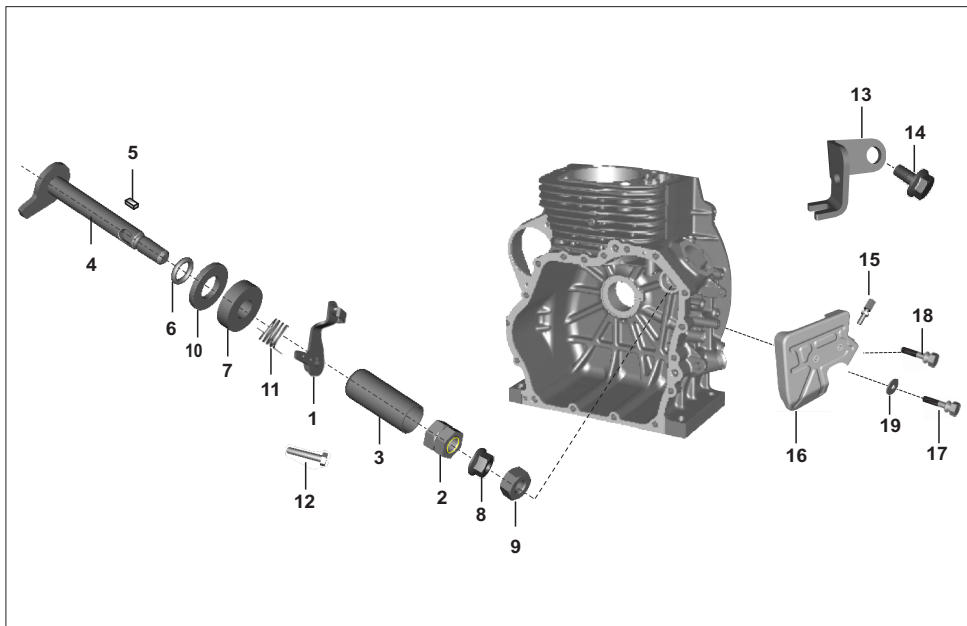
No.	Part No.	Description	BA	BH	BB	AL	Remarks
1	BB103330	Crankshaft with gear assly	1	1	1	1	
2	BA102068	Bearing main crank shaft	2	2	2	2	
3	BA102309	Thrust washer (1)	1	1	1	1	
4	BA102304	Thrust washer (2)	1	1	1	1	
5	BA102071	Gear crankshaft	1	1	1	1	
6	BA102072	Gear 1 balancer	1	1	1	1	
7	BA102099	Woodruff key	2	2	2	2	
8	39149919	Oil seal	2	2	2	2	
9	BA102130	Feather Key (Crankshaft Gear)	1	1	1	1	
10	BA102126	Bush crankshaft	1	1	1	1	
11	BA102118	Cap - sealing crankshaft	1	1	1	1	
12	BA102175	Main bearing Crankshaft (Under size)	1	1	1	1	

BA - COMPACT
 BH - COMPACT⁺ / MAXIMA Z
 BB - MAXIMA
 AL - CARGO



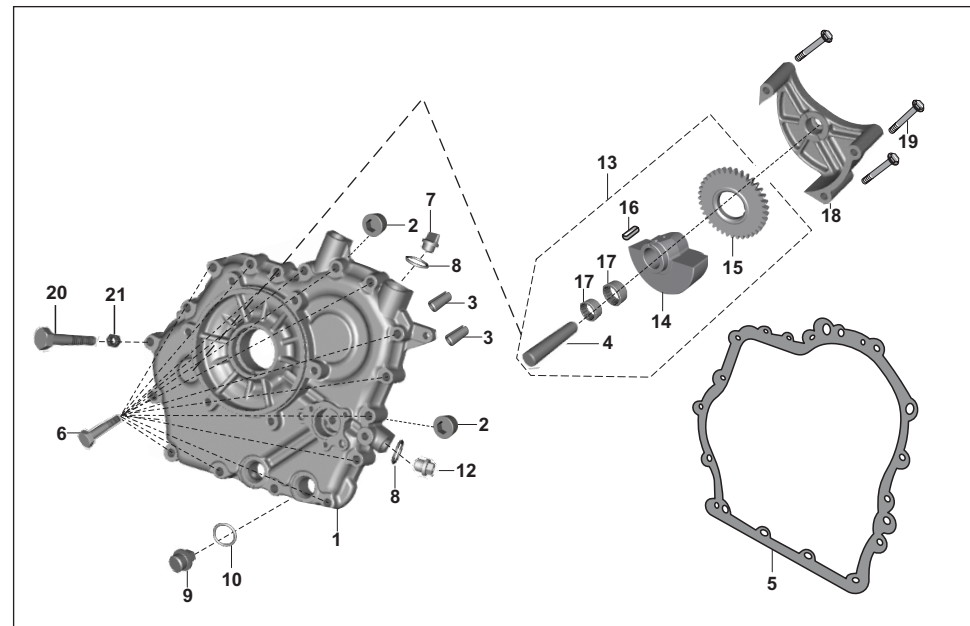
No.	Part No.	Description	BA	BH	BB	AL	Remarks
1	BB103061	Limiter device -assy fuel	-	-	1	1	
1	BH611400	Limiter device -assy fuel	1	1	-	-	
2	BA102087	Packing	1	1	1	1	
3	BA122029	Governor gear complete	1	1	1	1	
4	BA122030	Gear governor	1	1	1	1	
5	39157006	Spring dowel sleeve	1	1	1	1	
6	BA122032	Stopper clip lock	1	1	1	1	
7	BB121080	Lever complete -1 (Governor)	1	1	1	1	
8	39143020	Bearing - ball :- 6 x 19 x 6	1	1	1	1	
9	BA122041	pin - governor shaft	1	1	1	1	
10	BB121082	Lever - 2 (Governor)	1	1	1	1	
11	LDA00002	Plain washer Small	1	1	1	1	
12	BB121083	Oil seal- shaft governor	1	1	1	1	
13	BB121084	Lever 3 (Governor)	1	1	1	1	
14	BB121085	Shim governor	1	1	1	1	
15	KHCA0418	pin-spring(ba121044)	1	1	1	1	
16	BA122044	Governor Spring	1	1	1	1	
17	BB121097	Spring tension (Idling)	1	1	1	1	
18	BA122034	Collar - governor weight	2	2	2	2	

BA - COMPACT
 BH - COMPACT⁺ / MAXIMA Z
 BB - MAXIMA
 AL - CARGO



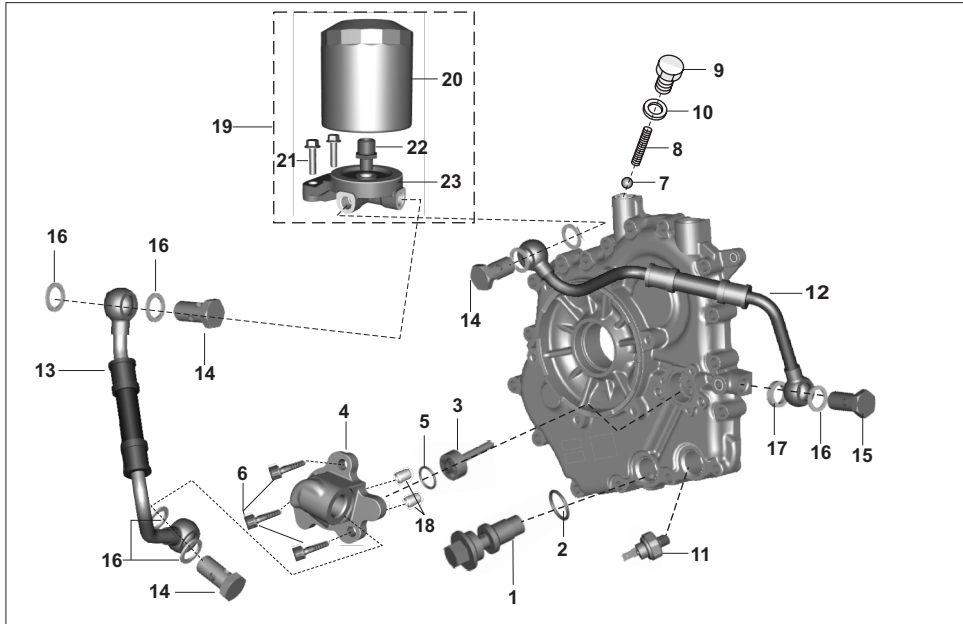
No.	Part No.	Description	BA	BH	BB	AL	Remarks
1	BB103030	Lever assembly control	1	1	1	1	
2	BA122051	Nut lock	1	1	1	1	
3	BA122052	Cap	1	1	1	1	
4	BA122047	Shaft complete (speed limit)	1	1	1	1	
5	BA122048	Feather key	1	1	1	1	
6	39156121	"O" ring	1	1	1	1	
7	BA122049	Disc Friction	1	1	1	1	
8	39158115	Flange nut	1	1	1	1	
9	39158015	Hexagon nut	1	1	1	1	
10	39118011	Plain washer	1	1	1	1	
11	BA122050	Stop spring	1	1	1	1	
12	39231704	Bolt hexagon head M6	1	1	1	1	
13	BA122216	Release holder	1	1	1	1	
14	39168004	Bolt flanged small	1	1	1	1	
15	BB101171	Adjuster with nut	1	1	1	1	
16	BB103379	Cover for governor lever	1	1	1	1	
16	BB103406	Cover governor assly - LL / Z	-	1	1	-	
17	BA102186	Screw - lock :- 1 Short	1	1	1	1	
18	BA102187	Screw - lock :- 2 Long	2	2	2	2	
19	39157311	Plain washer	2	2	2	2	

BA - COMPACT
BH - COMPACT⁺ / MAXIMA Z
BB - MAXIMA
AL - CARGO



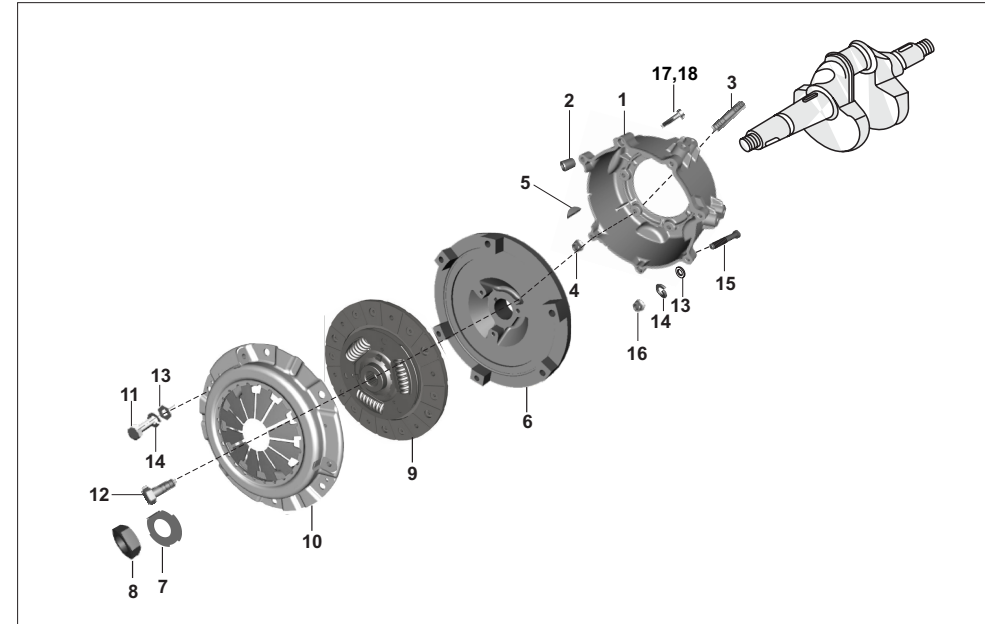
No.	Part No.	Description	BA	BH	BB	AL	Remarks
1	BA102290	Assembly cover C'case	1	1	1	1	
2	BA102004	Plug	2	1	1	1	
3	39156906	Spring dowel sleeve	2	2	2	2	
4	BA102007	Shaft Balancer	1	1	1	1	
5	BA102005	Gasket side cover (0.6 mm)	1	1	1	1	
5	BA102132	Gasket side cover (0.7 mm)	1	1	1	1	
5	BA102131	Gasket side cover (0.5 mm)	1	1	1	1	
6	39155804	Flange bolt	17	17	17	17	
7	BA102038	Plug oil filler	1	1	1	1	
8	39156221	"O" ring	2	2	2	2	
9	BB103071	Assembly plug drain	1	1	1	1	
10	39156421	'O' ring for BA102176	-	1	1	1	
11	59210023	'O' ring for BB103071	1	1	1	1	
12	BB103010	Plug oil gauge	-	-	1	1	
13	BB101173	Weight complete (balancer)	1	1	1	1	
14	BB101172	Weight Balancer	1	1	1	1	
15	BA102077	Gear (2 Balancer)	1	1	1	1	
16	BA102078	Feather key for Balancer	1	1	1	1	
17	39143520	Needle Roller Bearing	2	2	2	2	
18	BA102076	Case Balancer	1	1	1	1	
19	BA102255	Bolt pre-coated	3	3	3	3	
20	39154704	Hexagon bolt	1	1	-	-	
20	KAAA0860	Bolt	-	-	1	1	
21	39157915	Hexagon nut	1	1	1	1	

BA - COMPACT
BH - COMPACT⁺ / MAXIMA Z
BB - MAXIMA
AL - CARGO



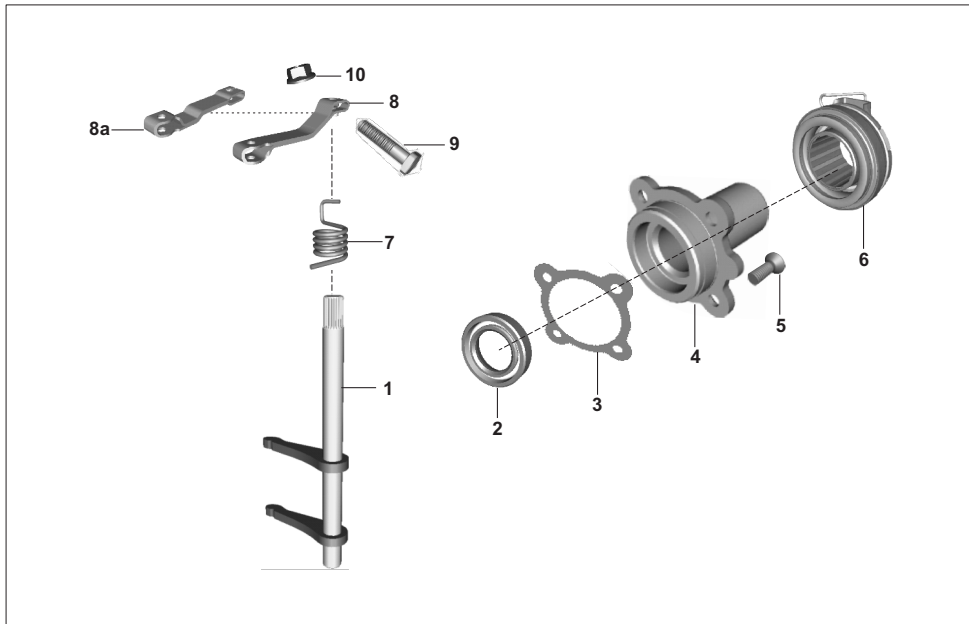
No.	Part No.	Description	BA	BH	BB	AL	Remarks
1	BB103011	Strainer	1	1	1	1	
2	59210023	"O" Ring	1	1	1	1	
3	BA122205	Rotor assembly (Oil pump)	1	1	1	1	
4	BA122204	Oil pump cover	1	1	1	1	
5	39149721	"O" Ring	1	1	1	1	
6	39119704	Bolt hexagon socket head	3	3	3	3	
7	BA102127	Ball	1	1	1	1	
8	BA102293	Spring	1	1	1	1	
9	BA102084	Plug	1	1	1	1	
10	39144525	Sealing ring	1	1	1	1	
11	BA201082	Oil Pressure switch	1	1	1	1	
12	BB103006	Oil tube (Small)	1	1	1	-	
12	BB103353	Tube oil filter outlet	-	-	1	1	
13	BB103007	Oil tube (Big)	1	1	-	-	Filter to cover c' case
13	BB103352	Tube oil filter inlet	-	-	1	1	
14	BA141017	Banjo bolt	3	-	3	3	
14	BB103084	Banjo bolt	-	3	-	-	
15	BB122222	Banjo bolt mh 14	1	1	1	1	
16	BA122143	Copper washer	7	7	7	7	
17	BB122223	Copper washer	1	1	1	1	
18	39168606	Hollow Dowel Pin	2	2	2	2	
19	BA103041	Assly oil filter	1	1	-	-	
19	BB103355	Assly oil filter	-	-	1	1	
20	BA102113	Filter oil cartridge	1	1	1	1	
21	59040048	Hex head bolt- filter	2	2	2	2	
22	BA103043	Insert cover oil filter	1	1	1	1	
23	36BA4037	Oil filter cover with insert	1	1	-	-	For BSIII Vehicle's
23	BB103351	Support oil filter	-	-	1	1	

BA - COMPACT
BH - COMPACT+ / MAXIMA Z
BB - MAXIMA
AL - CARGO



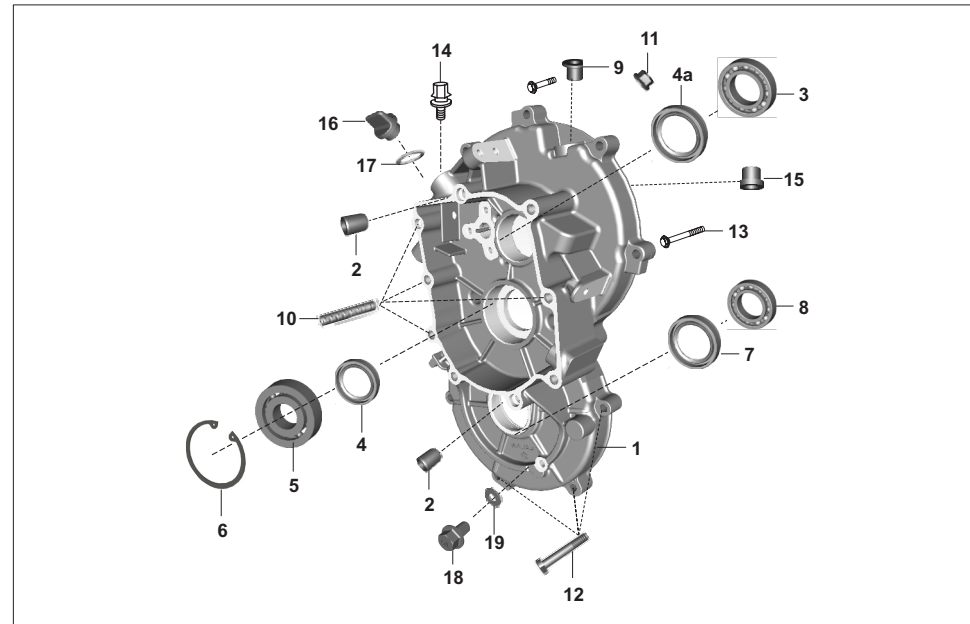
No.	Part No.	Description	BA	BH	BB	AL	Remarks
1	BB132003	Clutch housing	1	1	1	1	
2	BA132122	Dowel - hollow	2	2	2	2	
3	39142305	Stud	6	6	6	6	
4	LCG00010	nut flange	6	6	6	6	
5	BA102099	Key woodruff	1	1	1	1	
6	BB133311	Flywheel	1	1	1	1	
7	BA132272	Lock washer	1	1	1	1	
8	BA132104	Nut (M 27 x 1.5)	1	1	1	1	
9	BA133040	Clutch disc assembly	1	1	1	1	
10	BA133039	Cover assy.-cl pressure plate	1	1	1	1	
10	BA133065	Clutch cover assly dsl	1	1	1	1	fr.01.02.2017
11	39043501	Screw	4	4	4	4	
12	BA132095	Bolt special	2	2	2	2	
13	39158211	Plain washer	11	11	11	11	
14	39182812	Spring washer	11	11	11	11	
15	39143104	"D" Bolt	3	3	3	3	
16	39197015	Hex lock nut	3	3	3	3	
17	KADD0840	Bolt flanged	3	3	-	-	
18	KADD0845	Bolt flanged	-	-	3	3	

BA - COMPACT
BH - COMPACT+ / MAXIMA Z
BB - MAXIMA
AL - CARGO



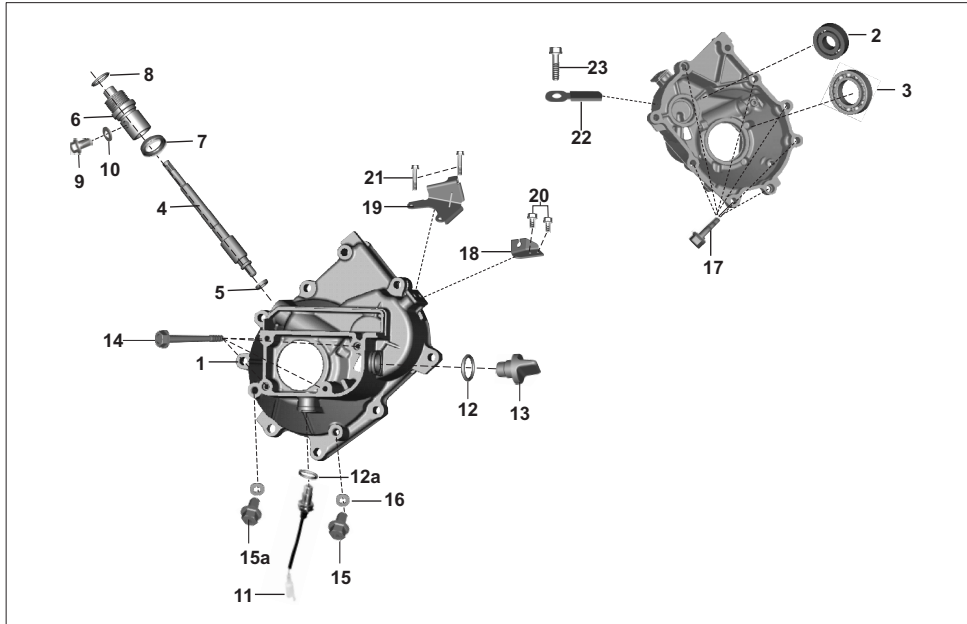
No.	Part No.	Description	BA	BH	BB	AL	Remarks
1	BB131136	Assly clutch shaft	1	-	1	1	
1	BH551400	Assly clutch shaft	-	1	-	-	
2	39153519	Oil Seal	1	1	1	1	
3	BA132246	Gasket sleeve retainer	1	1	1	1	
4	BA132244	Sleeve retainer	1	1	1	1	
5	BA132185	Screw pre coated	4	4	4	4	
6	BA132211	Clutch release bearing	1	1	1	1	
7	BB131138	Spring clutch lever	1	-	1	1	
7	BH551402	Spring clutch lever	-	1	-	-	
8	BA132017	Clutch lever	1	-	1	1	
8a	BH551403	Clutch lever	-	1	-	-	
9	39080204	Square bolt	1	1	1	1	
10	39197015	Nut hex small	1	1	1	1	

BA - COMPACT
 BH - COMPACT+ / MAXIMA Z
 BB - MAXIMA
 AL - CARGO



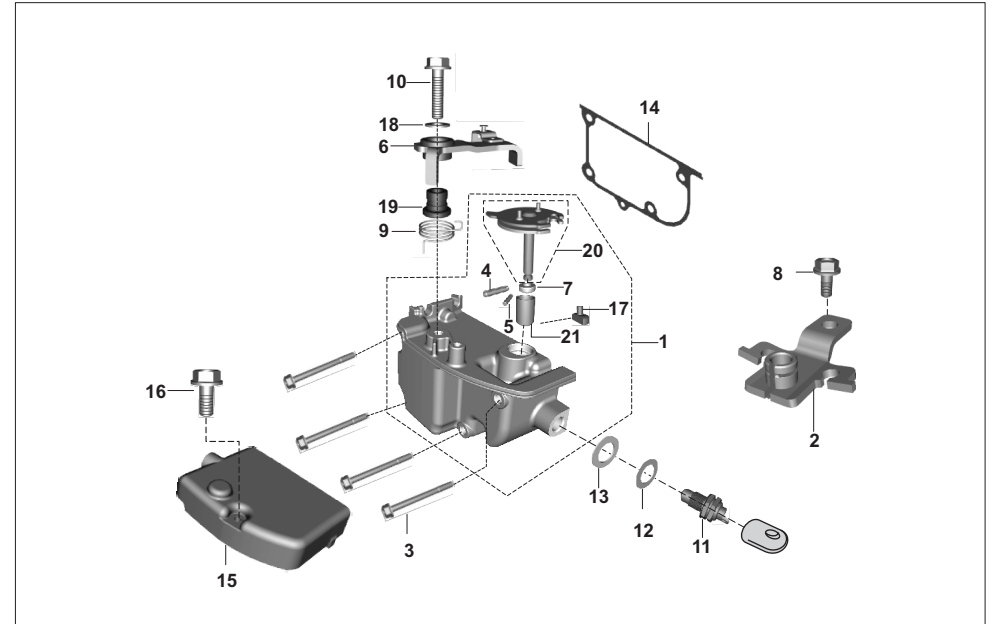
No.	Part No.	Description	BA	BH	BB	AL	Remarks
1	BA133016	Main housing	1	-	-	-	
1	BH552005	Main housing	-	1	-	-	
1	BB133025	Main housing	-	-	1	1	
2	BA132122	Hallow dowel	2	2	2	2	
3	15101011	Ball bearing (clutch shaft)	1	1	1	1	
4	39153419	Oil seal	1	1	1	1	
4a	39153519	Oil seal	1	1	1	1	
5	39132420	Ball bearing (main shaft)	1	1	1	1	
6	BA132134	Circlip	1	1	1	1	
7	BF551613	Oil Seal	1	1	1	1	
8	KPBB6007	Ball bearing (differential)	1	1	1	1	
9	BA132012	Bush top	1	1	1	1	
10	39142305	Stud	6	6	6	6	
11	39197015	Flange nut	5	5	5	5	
12	39143104	D bolt	3	3	3	3	
13	39139404	Bolt - flanged	2	2	2	2	
14	BA132179	Breather assembly	1	1	1	1	
15	BB131166	Bush bottom	1	1	1	1	
16	BA102038	Oil plug	1	1	1	1	
17	39156221	O ring	1	1	1	1	
18	AL131074	Oil plug	1	1	1	1	
19	39158511	Plain washer	1	1	1	1	

BA - COMPACT
 BH - COMPACT+ / MAXIMA Z
 BB - MAXIMA
 AL - CARGO



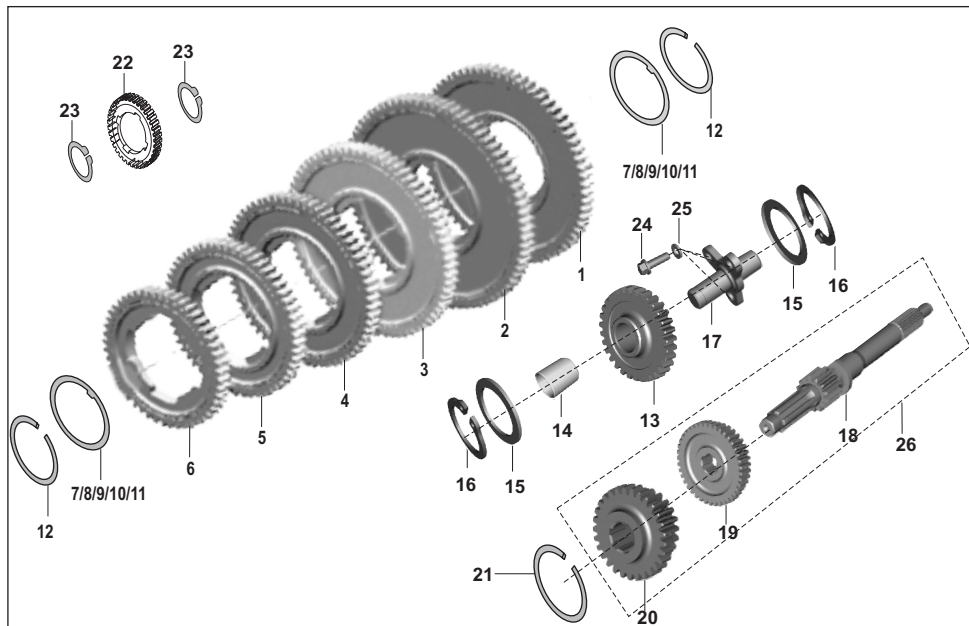
No.	Part No.	Description	BA	BH	BB	AL	Remarks
1	BB133022	Gear box cover	1	1	1	1	
2	30151065	Ball bearing	1	1	1	1	
3	39148720	Ball bearing	1	1	1	1	
4	BG552600	Drive shaft fare meter(13 teeth)	1	1	1	1	
5	BA132064	Washer	1	1	1	1	
6	BB133082	Bush	1	1	1	1	
7	39149819	Oil seal	1	1	1	1	
8	39158721	"O" ring	1	1	1	1	
9	LAE00017	Bolt	1	1	1	1	
10	39019811	Plain washer	1	1	1	1	
11	BH401400	Switch -reverse(1 pole coup n)	1	1	1	1	
12	39153721	O ring	-	1	1	1	
12a	03150207	"O" ring	1	1	1	1	
13	AN131007	Cap - oil filling	1	1	1	1	
14	KADD0670	Bolt - flange	4	4	4	4	
15	AL131074	Plug - oil	1	1	1	1	
15a	BA132189	Plug -oil for diff g-b-cover	1	1	1	1	
16	39158511	Plain washer	2	2	2	2	
17	59040048	Bolt flange M8x1.25	7	7	7	7	
18	BA132121	Bracket clutch cable	1	-	1	1	
19	BH551404	Bracket clutch cable	-	1	-	-	
20	39194304	Bolt - flange cl cable bkt	2	-	2	2	
21	KADE0850	Bolt flanged	-	2	-	2	
22	BA201007	Clamp	1	1	1	1	
23	KADE0835	Bolt flanged	1	1	1	1	

BA - COMPACT
BH - COMPACT⁺ / MAXIMA Z
BB - MAXIMA
AL - CARGO



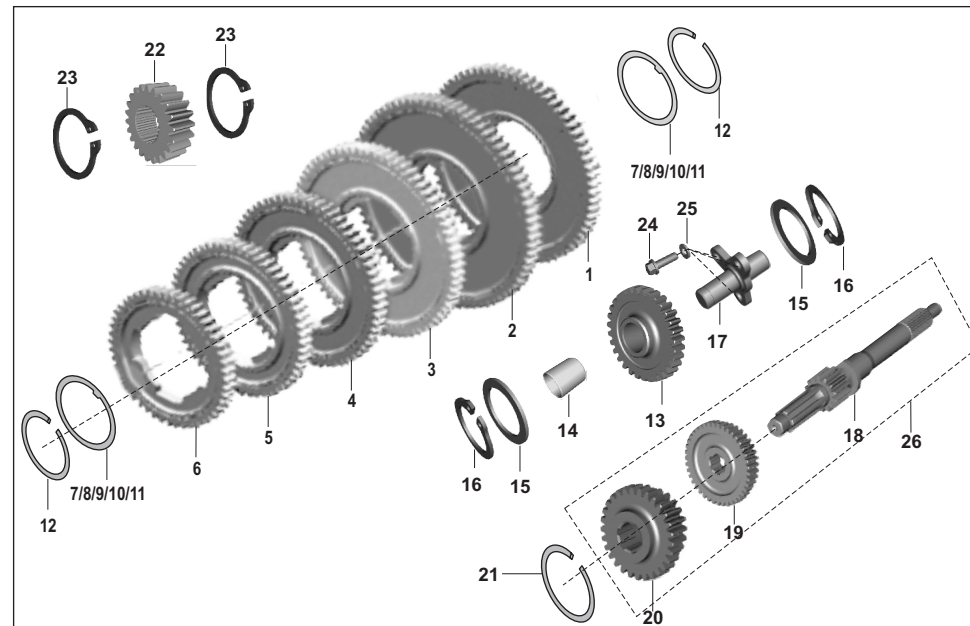
No.	Part No.	Description	BA	BH	BB	AL	Remarks
1	BB133115	Gear shifter assly	1	1	1	1	
2	BB133114	Bracket Rev. Cable	1	1	1	1	
3	KADD0670	Bolt flanged gear shifter	4	4	4	4	
4	39042606	Spring type strt pin	1	1	1	1	
5	39099206	Dowel	1	1	1	1	
6	BB133049	Lever reverse lock	1	1	1	1	
7	39104619	Seal - Oil	1	1	1	1	
8	KADD0614	Bolt flanged	1	1	1	1	
9	BB133051	Spring	1	1	1	1	
10	KADD0625	Bolt flanged	1	1	1	1	
11	AP111023	Neutral switch	1	1	1	1	
12	39080411	Washer - plain	1	1	1	1	
13	20101020	Gasket (material :- aluminium)	1	1	1	1	
14	BB133042	Gasket Shifter Cover	1	1	1	1	
15	BB133041	Gear Shifter Cover	1	1	1	1	
16	KADD0516	Bolt-flange- gear shifter cover	1	1	1	1	
17	BA132141	Slider Block	-	1	1	1	
18	KDBE0613	Washer plain lever sector	1	1	1	1	
19	BB133050	Spacer	1	1	1	1	
20	BB133124	Lever and sector complete	1	1	1	1	
21	BB131161	Bush iglidur-G	1	1	1	1	

BA - COMPACT
BH - COMPACT⁺ / MAXIMA Z
BB - MAXIMA
AL - CARGO



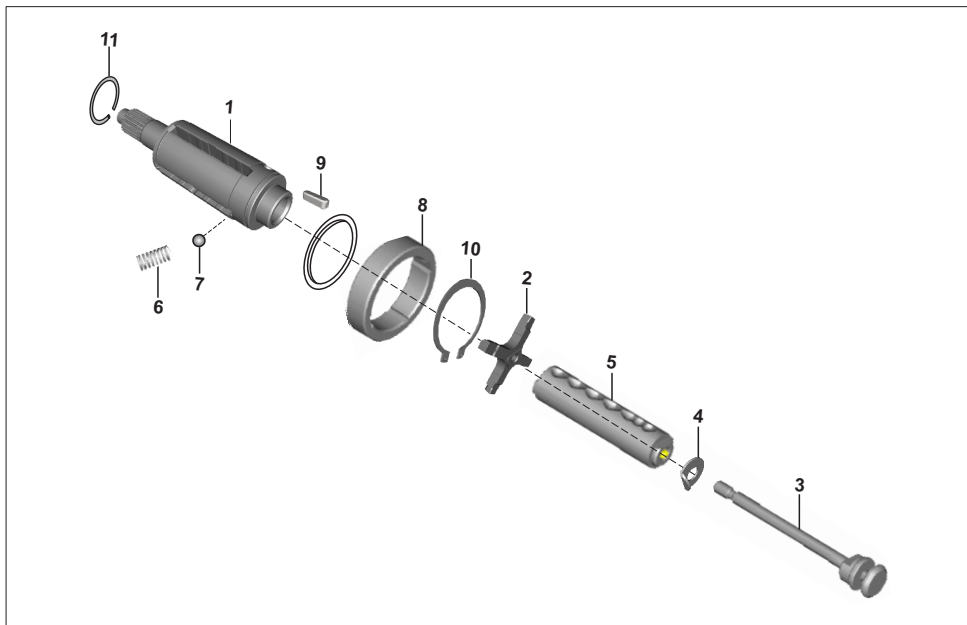
No.	Part No.	Description	BA	BH	BB	AL	Remarks
1	BB133013	Reverse gear (Main shaft)	1	1	1	1	
2	BB133312	Speed gear 1	1	1	1	1	
3	BB133015	Speed gear 2	1	1	1	1	
3	BB133313	Gear speed-2 -LL	-	-	1	-	
4	BB133016	Speed gear 3	1	1	1	1	
4	BB133316	Gear speed 3 -LL	-	-	1	-	
5	BB133017	Speed gear 4	1	1	1	1	
5	BB133314	Gear speed-4 -LL	-	-	1	-	
6	BB133018	Speed gear 5	1	1	1	1	
7	19101016	Shoulder ring1	1	1	1	1	
7	BB133093	Shoulder ring	1	1	1	1	
8	19101017	Shoulder ring No. 2	2	2	2	2	
9	19101018	Shoulder ring No. 3	2	2	2	2	
10	19101019	Shoulder ring No. 4	2	2	2	2	
11	19101020	Shoulder ring No. 5	2	2	2	2	
12	BA132088	Circlip	2	2	2	2	
13	BB133026	R.C. gear assly	1	1	1	1	
14	BA132116	Bushing	1	1	1	1	
15	39187411	Plain Washer	2	2	2	2	
16	39073817	Circlip	2	2	2	2	
17	AL131081	Shaft for R.C. gear	1	1	1	1	
18	BB133004	Multiple Gear Shaft	1	1	1	1	

BA - COMPACT
 BH - COMPACT+ / MAXIMA Z
 BB - MAXIMA
 AL - CARGO



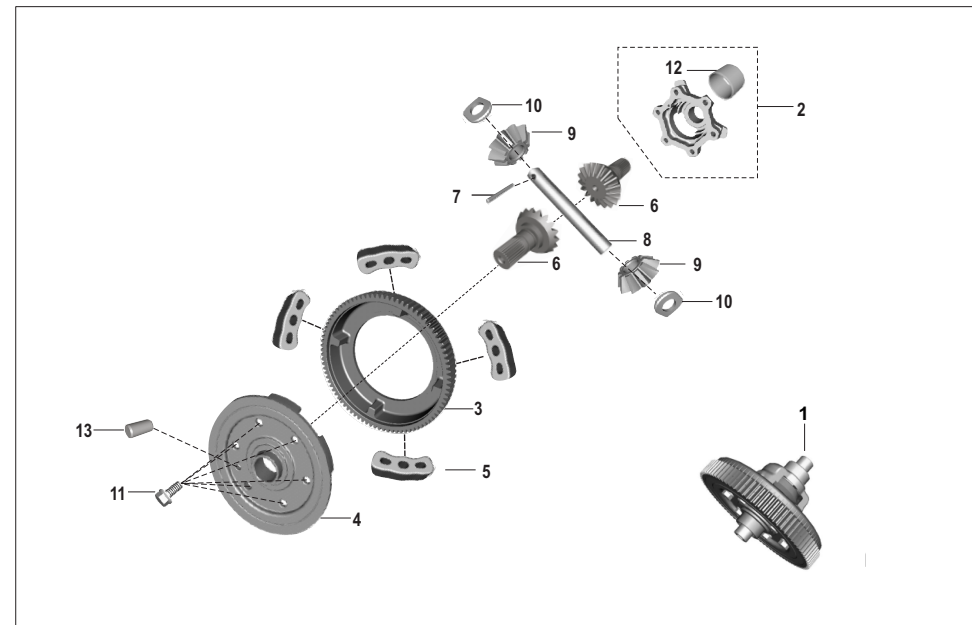
No.	Part No.	Description	BA	BH	BB	AL	Remarks
19	BB133005	Multiple Gear1	1	1	1	1	
20	BB133006	Multiple gear2	1	1	1	1	
20	BB133318	Gear multiple 2 -LL	-	-	1	-	
21	39157217	Circlip -external	1	1	1	1	
22	BA133033	Pinion differential	1	-	-	-	
22	BH551618	Pinion differential	-	1	-	-	
22	BB133098	Pinion differential	-	-	1	1	
23	KEAB2412	Circlip external	2	2	2	2	
24	39195804	Bolt Flange M6	3	3	3	3	
25	39182612	Washer spring	3	3	3	3	
26	BB133003	Shaft multiple gear assly	1	1	1	1	
26	BB133317	Shaft assly gear multiple -LL	-	-	1	-	

BA - COMPACT
 BH - COMPACT+ / MAXIMA Z
 BB - MAXIMA
 AL - CARGO



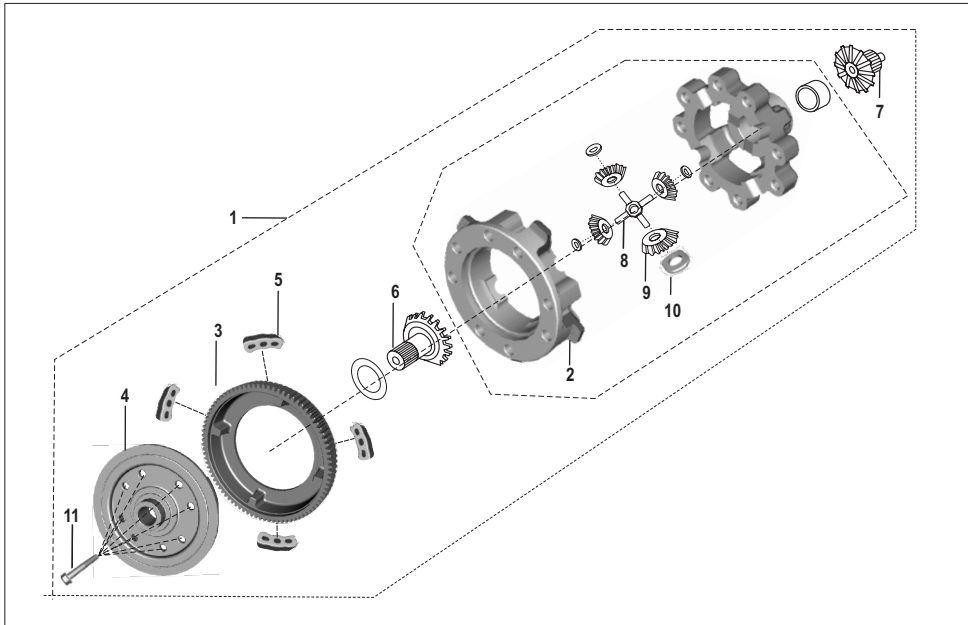
No.	Part No.	Description	BA	BH	BB	AL	Remarks
1	BB133010	Main shaft	1	1	1	1	
2	BB133084	Cross	1	1	1	1	
3	BB133068	Stem gear selector	1	1	1	1	
4	BA132045	Tab washer (lock plate)	1	1	1	1	
5	BB133132	Gear selector	1	1	1	1	
6	BB133130	Spring	2	2	2	2	
7	01180123	Steel ball	2	2	2	2	
8	BB133062	Drive gear fare meter	1	1	1	1	
9	BB133044	Key	1	1	1	1	
10	BA132088	Circlip external	1	1	1	1	
11	21100711	Circlip external	1	1	1	1	

BA - COMPACT
 BH - COMPACT+ / MAXIMA Z
 BB - MAXIMA
 AL - CARGO



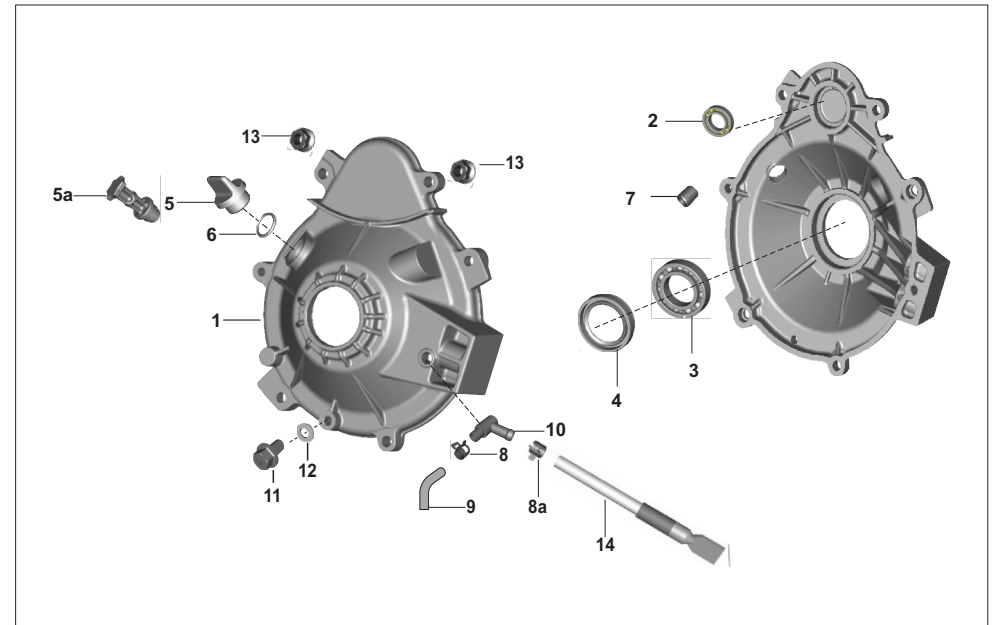
No.	Part No.	Description	BA	BH	BB	AL	Remarks
1	BA133032	Assembly differential damper	1	-	-	-	
2	BG551613	Housing satellite-for damper	1	-	-	-	
3	BA133031	Differential gear damper	1	-	-	-	
4	BG551618	Differential hub	1	-	-	-	
5	BG551615	Damper integrated	4	-	-	-	
6	AL131059	Gear bevel	2	-	-	-	
7	BG551614	Pin	1	-	-	-	
8	24131032	Pin -bevel gear	1	-	-	-	
9	AL131058	Satellite gear	2	-	-	-	
10	22131014	Spacer	2	-	-	-	
11	LAD00180	Flange bolt	6	-	-	-	
12	24130111	Bush -bevel gear housing	1	-	-	-	
13	LHD00005	Dowel pin	1	-	-	-	

BA - COMPACT
 BH - COMPACT+ / MAXIMA Z
 BB - MAXIMA
 AL - CARGO



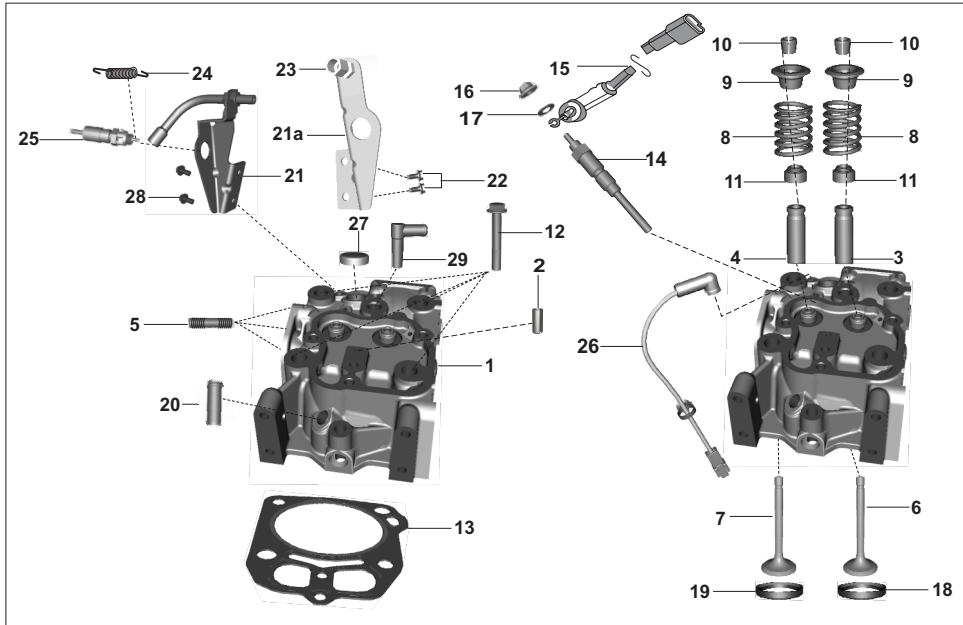
No.	Part No.	Description	BA	BH	BB	AL	Remarks
1	BH551617	Assembly differential damper	-	1	-	-	
1	BB133097	Assembly differential damper	-	-	1	1	
2	BB133052	Housing satellite-for damper	-	1	1	1	
3	BH551614	Differential gear damper	-	1	-	-	
3	BB133099	Differential hub damper	-	-	1	1	
4	BB133055	Differential hub	-	1	1	1	
5	BG551615	Damper integrated	-	4	4	4	
6	BH551616	Sun Gear RH	-	1	1	1	
7	BH551615	Sun Gear LH	-	1	1	1	
8	AL131055	Cross-differential	-	1	1	1	
9	AL131058	Satellite gear	-	4	4	4	
10	22131014	Spacer	-	4	4	4	
11	AL131127	Flange bolt	-	8	8	8	

BA - COMPACT
 BH - COMPACT⁺ / MAXIMA Z
 BB - MAXIMA
 AL - CARGO



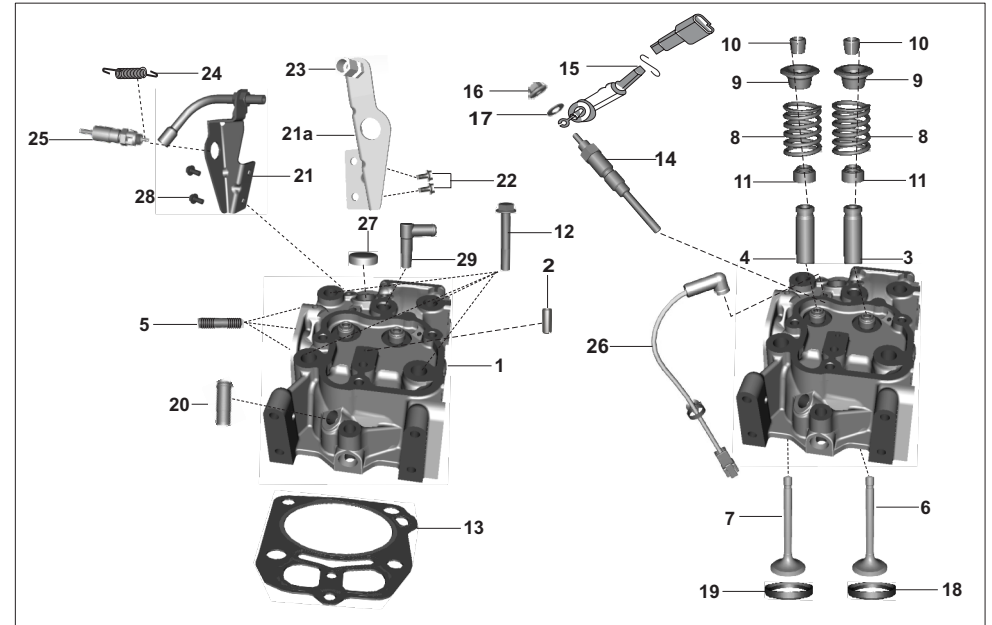
No.	Part No.	Description	BA	BH	BB	AL	Remarks
1	BA133018	Cover differential	1	-	-	-	
1	BB132009	Cover differential	-	1	1	1	
2	30151065	Ball bearing	1	1	1	1	
3	KPBB6007	Ball bearing (Sealed)	1	1	1	1	
4	BF551613	Seal - Oil - 50 X 10	2	2	2	2	
5	BA102038	Oil plug	1	1	1	1	
5a	AL131076	Plug - oil differential	-	1	1	1	
6	39156221	'O' ring	1	1	1	1	
7	BA132122	Hollow dowel	2	2	2	2	
8	BA102147	Clip - pipe	1	1	1	1	
8a	AP121074	Clip - pipe	1	1	1	1	
9	BA102146	Tube breather	1	1	1	1	
10	BA102207	Breather pipe joint	1	1	1	1	
12	39158511	Plain washer	1	1	1	1	
13	39197015	Nut - hexagon with flange M8	2	2	2	2	
14	BB109025	Breather assembly	-	1	1	1	

BA - COMPACT
 BH - COMPACT⁺ / MAXIMA Z
 BB - MAXIMA
 AL - CARGO



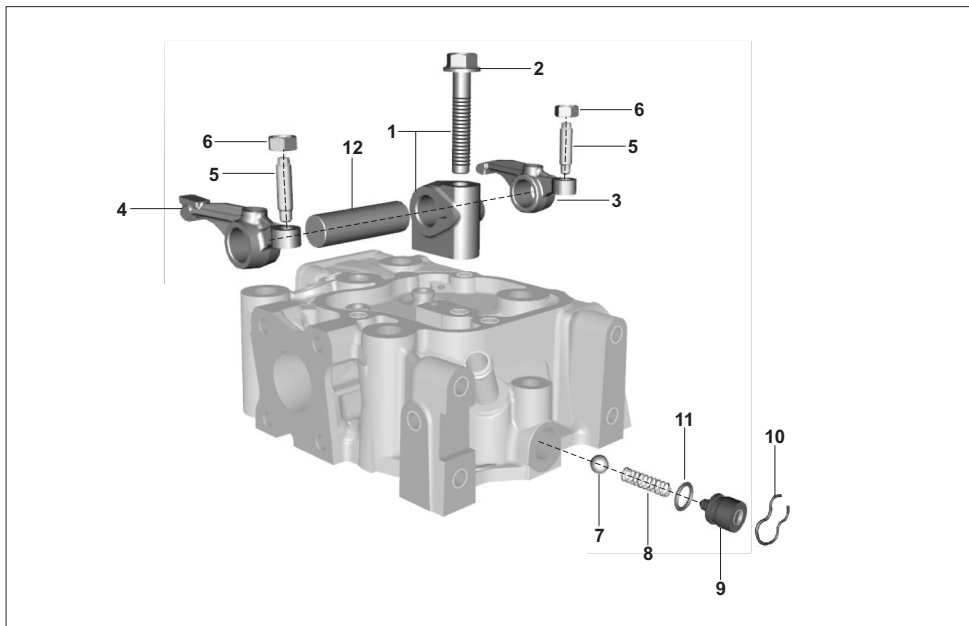
No.	Part No.	Description	BA	BH	BB	AL	Remarks
1	BB103337	Assly cylinder head	1	1	1	1	alt-BB103336
2	39156806	Spring dowel sleeve	1	1	1	1	
3	BA102021	Guide Inlet valve	1	1	1	1	
4	BA102023	Guide exhaust valve	1	1	1	1	
5	39154905	Stud - m8	3	3	3	3	
6	36BA4021	Valve (Inlet) BA102014/BA102017	1	1	1	1	
7	BA102017	Valve (Exhaust)	1	1	1	1	
8	BA102019	Valve spring	2	2	2	2	
9	BA102020	Retainer valve spring	2	2	2	2	
10	BA102022	Collet valve spring	4	4	4	4	
11	BB101090	Seal valve stem	2	2	2	2	
12	BA102270	Head bolt	4	4	4	4	
13	BB103046	Gasket cylinder head	1	1	1	1	
14	BB111009	Glow Plug	1	1	1	1	
15	BA111006	Cord, Glow Plug	1	1	1	1	
16	39156015	Flange nut	1	1	1	1	
17	39037511	Plain washer	1	1	1	1	
18	BA102025	Seat - valve inlet	1	1	1	1	
19	BA102026	Seat - valve exhaust	1	1	1	1	
20	BA102027	Pipe joint	1	1	1	1	
21	BA103032	Bracket Decompression for cable	1	-	-	-	

BA - COMPACT
 BH - COMPACT⁺ / MAXIMA Z
 BB - MAXIMA
 AL - CARGO



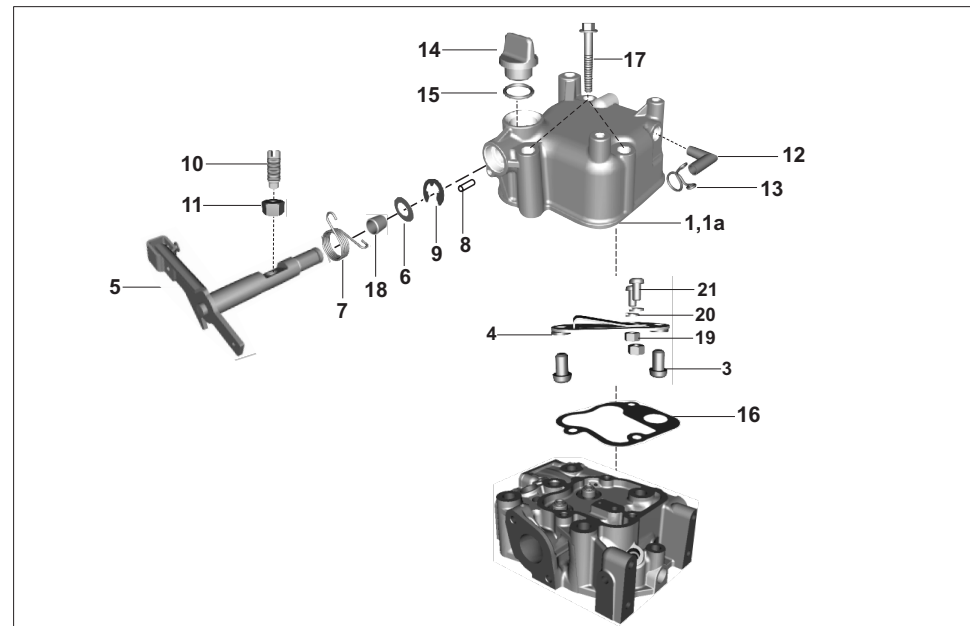
No.	Part No.	Description	BA	BH	BB	AL	Remarks
21a	BB101176	Bracket decompression	-	1	1	1	
22	39168004	Bolt flanged small	2	2	2	2	
23	BA102277	Adjuster with nut	-	1	1	1	
24	BB103019	Spring stop switch	1	1	1	1	
25	AB201075	Switch (Decomp switch)	1	1	1	1	
26	BA111006	Cord, glow plug	1	1	1	1	
27	BA102018	Cap - sealing	1	1	1	1	
28	39168004	Flanged bolt	2	2	2	2	
29	BA102244	Pipe joint -Q oil tube	1	1	1	1	
30	36BA4021	Kit-valve	1	1	1	1	Kit-44

BA - COMPACT
 BH - COMPACT⁺ / MAXIMA Z
 BB - MAXIMA
 AL - CARGO



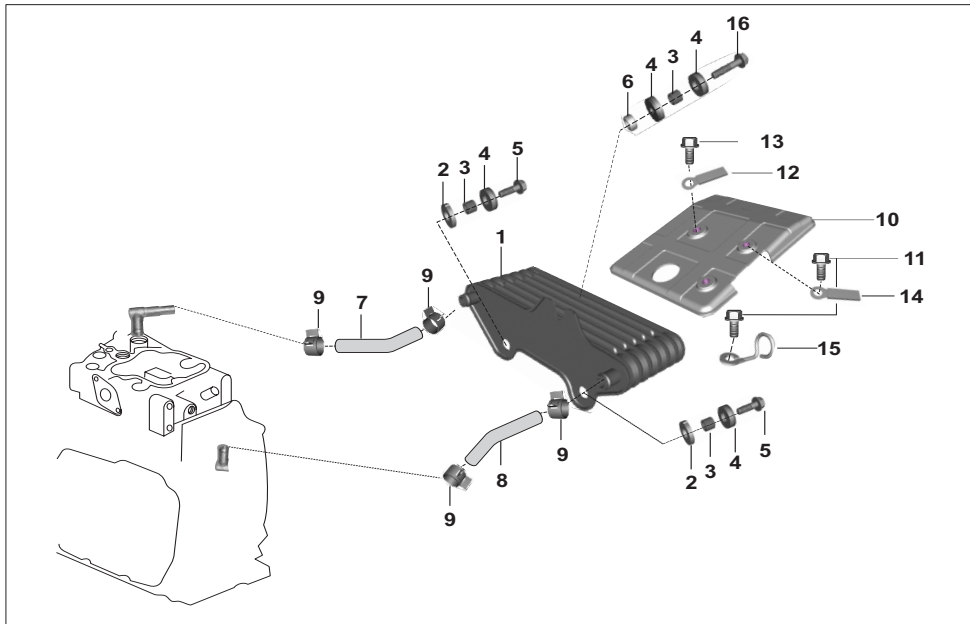
No.	Part No.	Description	BA	BH	BB	AL	Remarks
1	BA102301	Bracket complete rocker	1	1	1	1	
2	LAD00069	Flange bolt M8 X1.25	1	1	1	1	
3	BA102033	Rocker arm inlet	1	1	1	1	
4	BA102034	Rocker arm exhaust	1	1	1	1	
5	BA102279	Adjusting Screw	2	2	2	2	
6	BA102036	Nut	2	2	2	2	
7	01180123	Ball	1	1	1	1	
8	BB103056	Spring	1	1	1	1	
9	BB103057	Plug	1	1	1	1	
10	BB103069	Wire clip	1	-	-	-	
11	LJA00002	O ring for e - 20	1	1	1	1	
12	BA102303	Shaft rocker arm	1	1	1	1	

BA - COMPACT
 BH - COMPACT+ / MAXIMA Z
 BB - MAXIMA
 AL - CARGO



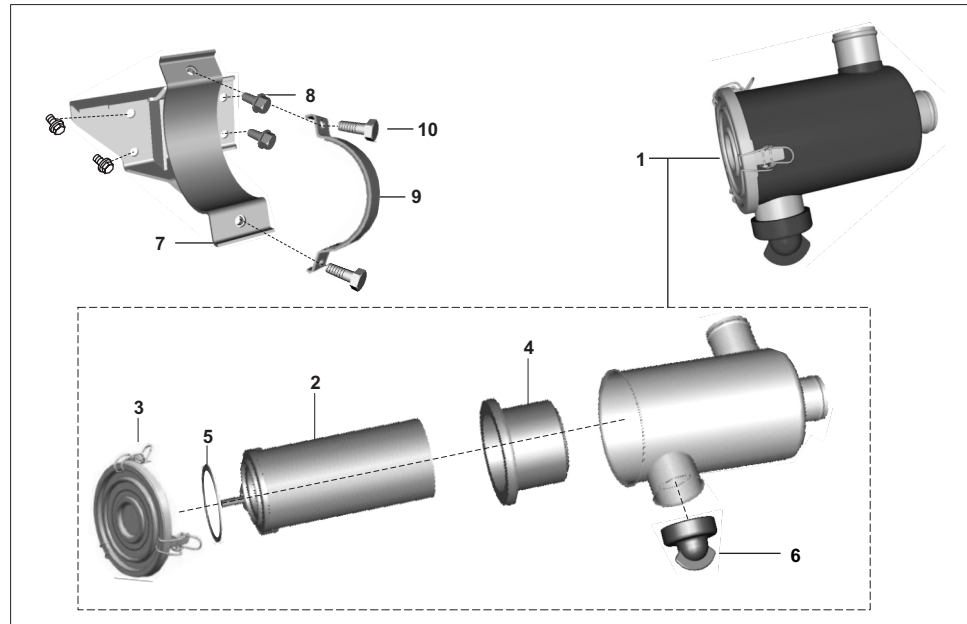
No.	Part No.	Description	BA	BH	BB	AL	Remarks
1	BA102264	Assly head cover	1	1	1	1	
1a	BA102259	Head cover sub assly	1	1	1	1	
2	BA102043	Breather assembly	1	1	1	1	
3	39076101	Screw pan cross	2	2	2	2	
4	39079012	Washer Spring	2	2	2	2	
5	BA102267	Shaft complete (decompress)	1	1	1	1	
6	39070311	Plain washer	1	1	1	1	
7	BA102263	Torsion spring (decompress)	1	1	1	1	
8	39156706	Spring dowel sleeve	1	1	1	1	
9	39064517	Circlip (external)	1	1	1	1	
10	BA102047	Decompression Bolt	1	1	1	1	
11	39157815	Hexagon Nut	1	1	1	1	
12	BA102046	Breather pipe joint	1	1	1	1	
13	BA102147	Pipe Clip	1	1	1	1	
14	BA102038	Oil Plug	1	1	1	1	
15	39156221	"O" Ring	1	1	1	1	
16	BA102042	Gasket head cover	1	1	1	1	
17	39157104	Flange Bolt	3	3	3	3	
18	BA102254	Bush - head cover lever decomp.	1	1	1	1	
19	39028715	Nut hexagon m4x0.7 br valve	1	1	1	1	
20	39090012	Washer - spring br valve	2	2	2	2	
21	39084001	Screw pan cross - M4 Breather assly	2	2	2	2	

BA - COMPACT
 BH - COMPACT+ / MAXIMA Z
 BB - MAXIMA
 AL - CARGO



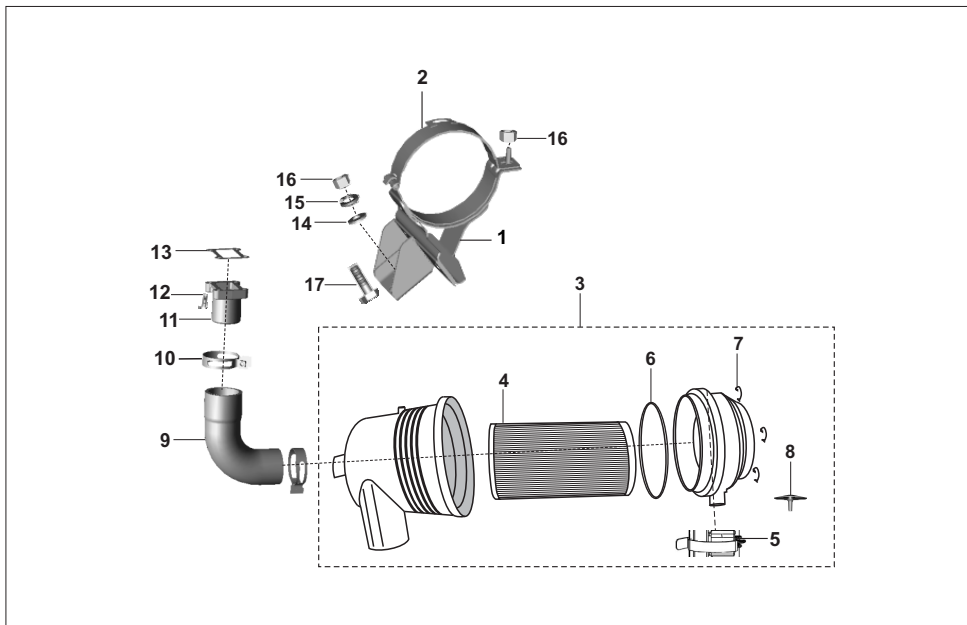
No.	Part No.	Description	BA	BH	BB	AL	Remarks
1	BA102088	Oil Cooler	1	1	1	1	
2	BA102222	Vibro - Isolating Rubber	2	2	2	2	
3	BA102090	Collar - Vibro- Isolating Rubber	3	3	3	3	
4	BA103012	Special washer	4	4	4	4	
5	KADA0620	Bolt	2	2	2	2	
6	BA102305	Spacer	1	1	1	1	
7	BA102235	Tube assembly -1 (Oil)	1	1	1	1	
8	BB103058	Tube oil-cooler to head	1	1	1	1	
9	24121476	Spring clamp Dia	4	4	4	4	
10	BA102096	Cover (oil cooler)	1	1	1	1	
11	59040014	Flanged bolt -cover	2	2	2	2	
12	BA201006	Clamp	1	1	1	1	
13	39155604	Bolt - flange	1	1	1	1	
14	BA122002	Clamp	1	1	1	1	
15	BA102292	Clip guide	2	2	2	2	
16	KADD0630	Bolt flanged	1	1	1	1	

BA - COMPACT
 BH - COMPACT+ / MAXIMA Z
 BB - MAXIMA
 AL - CARGO



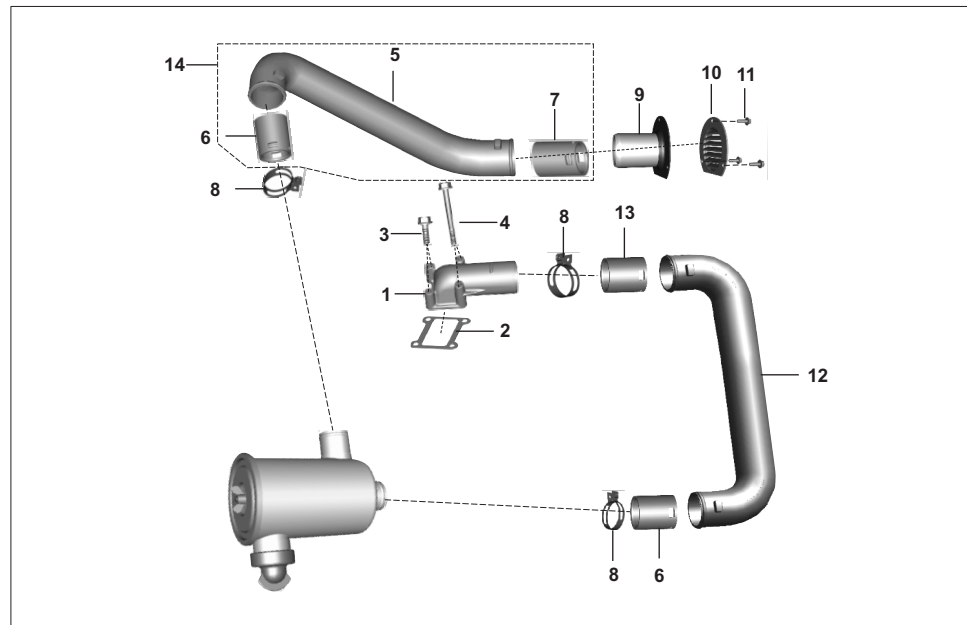
No.	Part No.	Description	BA	BH	BB	AL	Remarks
1	BA103044	Assly air filter	1	-	-	-	fr.25.07.2016
2	BA103045	Element assembly	1	-	-	-	
3	BA103047	Top cover	1	-	-	-	
4	BA103049	Cyclopack	1	-	-	-	
5	BA103048	Gasket cover	1	-	-	-	
6	BA122071	Valve (unloader)	1	-	-	-	
7	BA103009	Bracket air cleaner	1	-	-	-	
8	39155604	Flange bolt	4	-	-	-	
9	BA122075	Air cleaner band assembly	1	-	-	-	
10	39039004	Flange bolt	2	-	-	-	

BA - COMPACT
 BH - COMPACT+ / MAXIMA Z
 BB - MAXIMA
 AL - CARGO



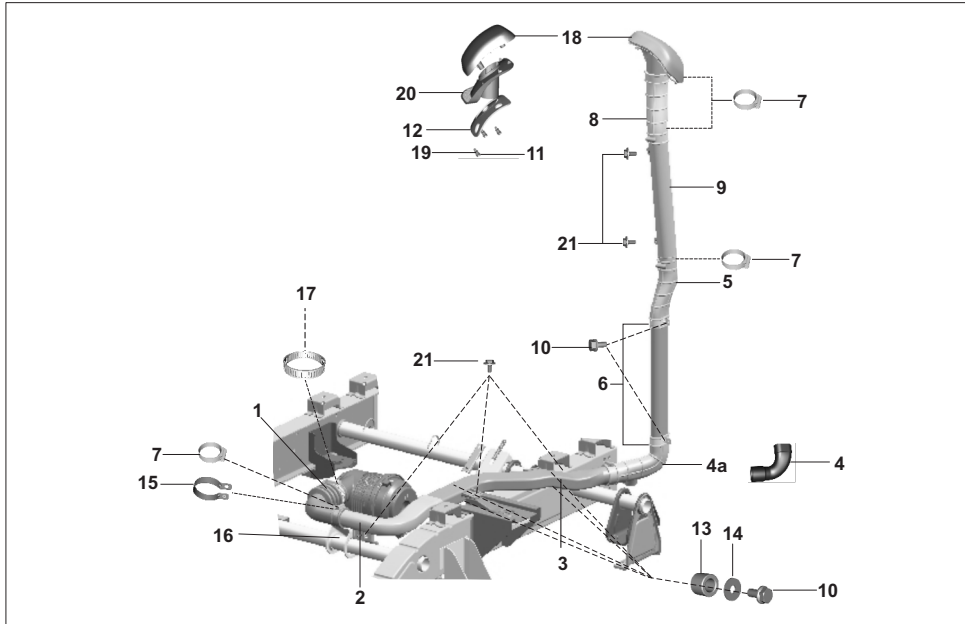
No.	Part No.	Description	BA	BH	BB	AL	Remarks
1	BG581000	Bracket isolator Air Filter	-	1	-	-	
1	BB103101	Bracket air filter	-	-	1	1	
2	BG581006	Clamp air cleaner	-	1	1	1	
3	AL121060	Air filter assly.	-	1	1	1	
4	AL121062	Element Air Filter	-	1	1	1	
5	AL121070	Cover a/f	-	1	1	1	
6	AL121068	Seal ring flat	-	1	1	1	
7	AL121069	Clamp flat	-	3	3	3	
8	BB121029	Flap air intake	-	1	1	1	
9	BB103054	Tube intake manifold	-	1	1	1	
10	AP121064	Clip	-	1	1	1	
11	BB122224	Manifold air intake	-	1	1	1	
12	KADD0620	Bolt flanged	-	4	4	4	
13	BB103055	Gasket manifold	-	1	1	1	
14	39071411	Washer Plain AF Clamp	-	1	-	-	
14	39118011	Washer	-	-	3	3	
15	39182712	Washer - Spring AF Clamp	-	1	-	-	
15	39182812	Spring washer	-	-	3	3	
16	39046715	Nut Hexagon -M12 X 1.5	-	1	-	-	
16	39197015	Hex nut/flange-M8	-	-	1	1	
17	39251704	Bolt - hexagon head - M8	-	-	3	3	

BA - COMPACT
 BH - COMPACT+ / MAXIMA Z
 BB - MAXIMA
 AL - CARGO



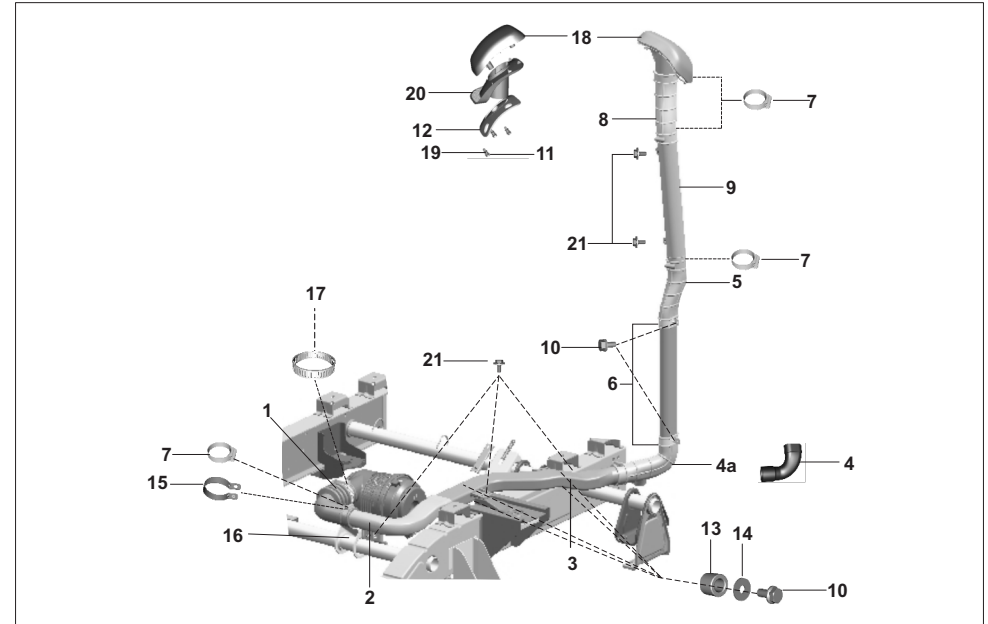
No.	Part No.	Description	BA	BH	BB	AL	Remarks
1	BA122229	Manifold air intake	1	-	-	-	
2	BB103055	Gasket (Flange)	1	-	-	-	
3	KADD0620	Bolt flanged small	2	-	-	-	
4	KADD0660	Flange bolt	2	-	-	-	
5	BA122180	Hose air-1 ch. to air filter	1	-	-	-	
6	BA122181	Sleeve - rubber hose 1 & 2	2	-	-	-	
7	BA103037	Sleeve - chassis end	1	-	-	-	FR.21.6.2014
8	BA122062	Pipe band-clips	3	-	-	-	
9	BA103035	Cup -Assly air suction	1	-	-	-	FR.21.6.2014
10	BA231013	Grill - air suction hole	1	-	-	-	
11	39177304	Bolt	3	-	-	-	
12	BA122182	Hose - air 2 manifold to filter	1	-	-	-	
13	BA103027	Hose air filter to manifold	1	-	-	-	
14	BA122184	Assly hose air filter to chassis comp.	1	-	-	-	

BA - COMPACT
 BH - COMPACT+ / MAXIMA Z
 BB - MAXIMA
 AL - CARGO



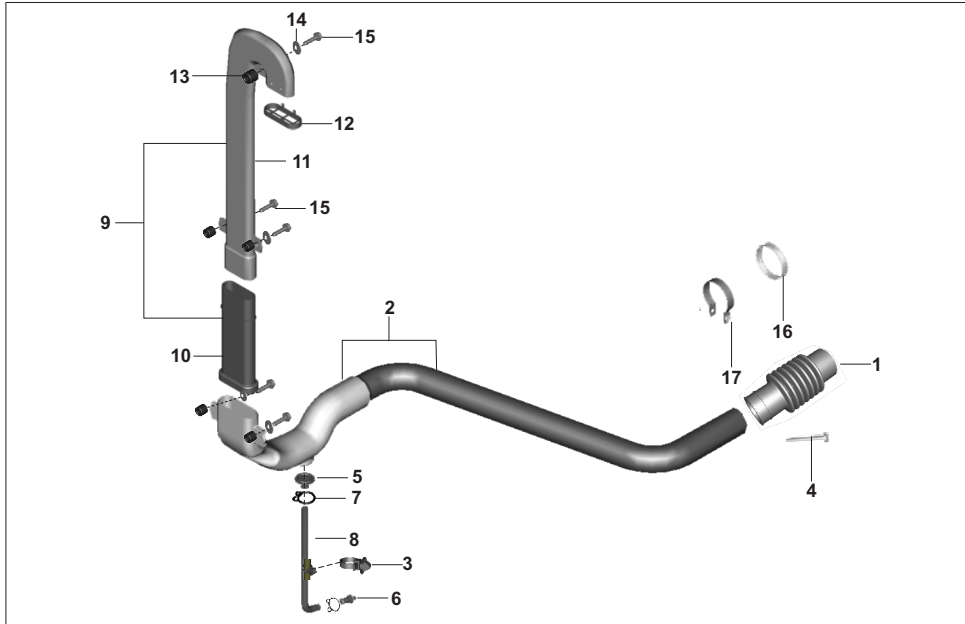
No.	Part No.	Description	BA	BH	BB	AL	Remarks
1	BH581021	Tube air intake	-	1	-	-	
1	BB121113	Tube air intake	-	-	1	-	
2	BH581016	Assembly air intake pipe	-	1	-	-	
3	BB121112	Assembly air intake	-	-	1	-	
4	BH581015	Rubber elbow chassis end	-	1	-	-	
4	BH581023	Elbow rubber lower - Z	-	1	-	-	
4a	BB121111	Assembly water drain sleeve	-	-	1	-	
5	BH581005	Elbow rubber lower end	-	1	-	-	
5	BH581024	Elbow rubber upper - Z	-	1	-	-	
5	BB121107	Elbow rubber lower end	-	-	1	-	
6	BH581010	Clip elbow lower end	-	2	2	-	
7	24170431	Clip - hose	-	3	4	-	
8	AZ581021	Elbow top end	-	1	-	-	
8	BB121108	Elbow top end	-	-	1	-	
8	BH581028	Hose rubber top - Z	-	1	-	-	
9	AZ581018	Pipe air intake upper	-	1	1	-	
9	BH581027	Pipe air intake upper - Z	-	1	-	-	
10	39191204	Bolt - flanged	-	8	8	-	
11	39191304	Bolt - flanged	-	3	3	-	
12	BH185003	Packing snorkel	-	1	1	-	
12	AZ185007	Packing snorkel cover ug - Z	-	1	-	-	
13	BG581404	Damper rubber	-	4	-	-	
14	39081411	Washer - plain	-	4	-	-	

BA - COMPACT
 BH - COMPACT+ / MAXIMA Z
 BB - MAXIMA
 AL - CARGO



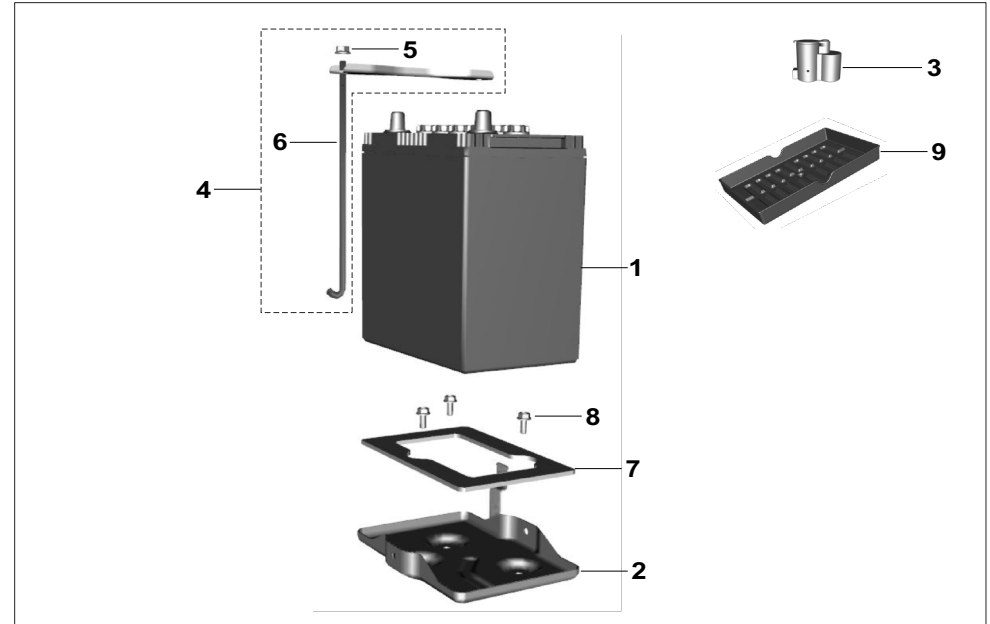
No.	Part No.	Description	BA	BH	BB	AL	Remarks
15	AL121019	Clip - air pipe	-	1	-	-	
16	39075601	Screw pan cross - M6	-	1	-	-	
17	BB131040	Hose clamp - dia.60	-	1	1	-	
18	BH185001	Grill air intake snorkel top	-	1	1	-	
18	AZ185005	Grill air intake snorkel top ug - Z	-	1	-	-	
19	JG581015	Insert (M6*1)	-	3	3	-	
20	BH185002	Grill air intake snorkel bottom	-	1	1	-	
20	AZ185006	Grill air intake snorkel btm ug - Z	-	1	-	-	
21	LAG00007	Bolt wp-m6x1x14xcl8.8xbright	-	-	5	-	

BA - COMPACT
 BH - COMPACT+ / MAXIMA Z
 BB - MAXIMA
 AL - CARGO



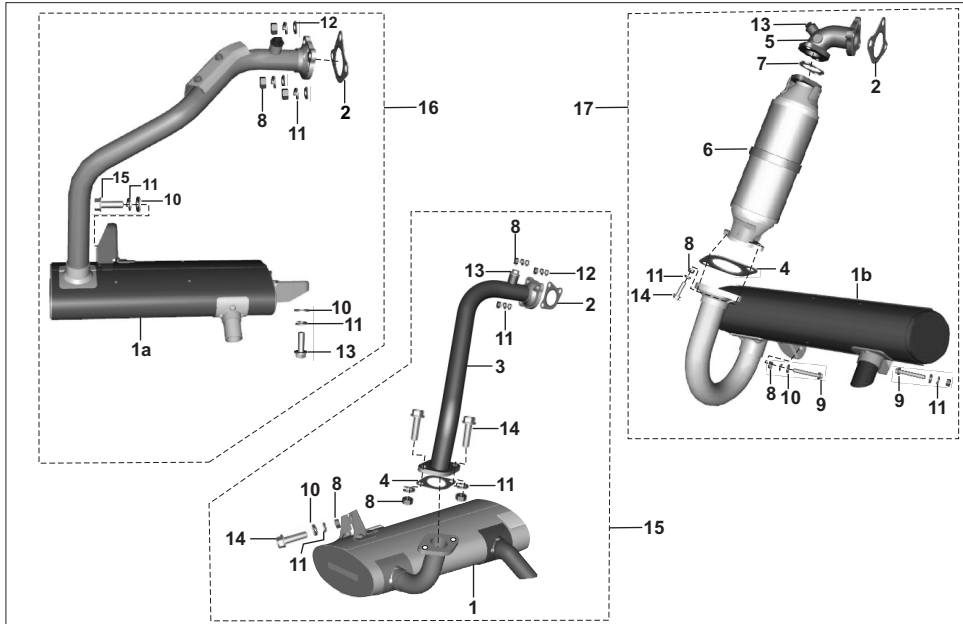
No.	Part No.	Description	BA	BH	BB	AL	Remarks
1	AL121075	Tube air intake (H TO F)	-	-	-	1	
2	AL103000	Assly air intake z pipe	-	-	-	1	
3	60111420	Cable tie lock	-	-	-	1	
4	KBBA0650	Screw pan cross	-	-	-	1	
5	AL103003	Plug drain	-	-	-	1	
6	DS121126	Plug	-	-	-	1	
7	DP121025	Clamp	-	-	-	2	
8	JA581012	Tube drain	-	-	-	1	
9	BG581400	Assy air intake-top	-	-	-	1	
10	BG581402	Hose air intake-bottom	-	-	-	1	
11	BG581401	Hose air intake-top	-	-	-	1	
12	BG581405	Mesh air intake	-	-	-	1	
13	BG581404	Damper rubber	-	-	-	5	
14	39081411	Plain washer	-	-	-	5	
15	KADF0625	Hex bolt	-	-	-	5	
16	BB131040	Hose clamp - dia.60	-	-	-	1	
17	AL121019	Clip - air pipe	-	-	-	1	

BA - COMPACT
 BH - COMPACT+ / MAXIMA Z
 BB - MAXIMA
 AL - CARGO



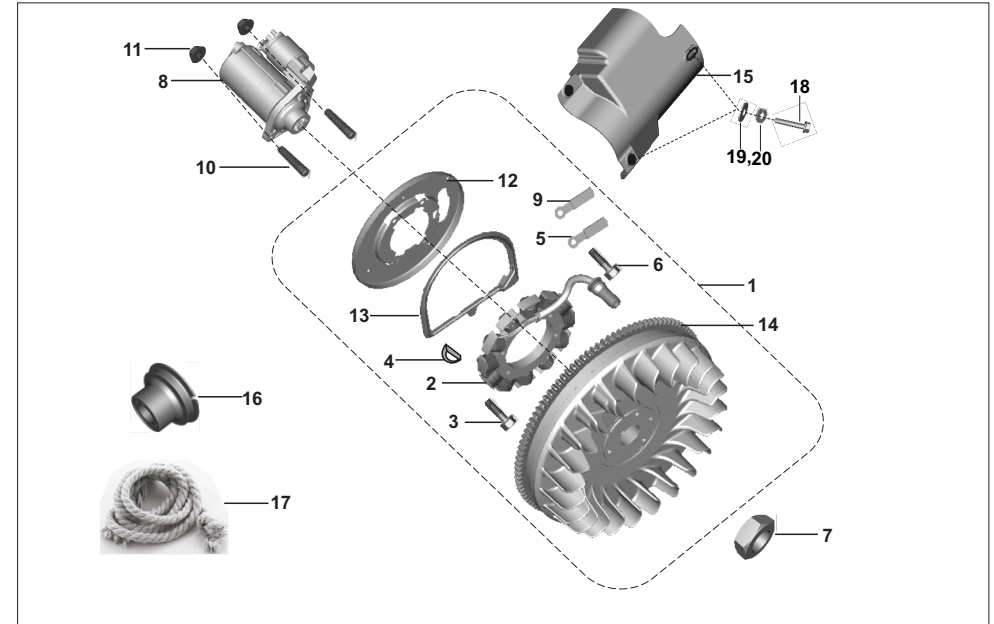
No.	Part No.	Description	BA	BH	BB	AL	Remarks
1	BA201001	Battery from- 23.03.2015	1	1	1	1	
2	BH111131	Tray assembly-battery	1	1	-	-	
3	36BB0033	Lock battery with key Kit	1	1	1	-	Kit-49
4	AN161074	Clamp Assly	1	1	1	1	
5	KCGD0606	Nut hex flanged	1	1	1	1	
6	AN161075	Tie rod	1	1	1	1	
7	24201564	Packing rubber - battery 32 ah	1	1	-	-	
8	KADA0614	Bolt Flanged- Tray mounting	3	3	-	-	
9	AN161048	Liner battery base	-	-	1	1	

BA - COMPACT
 BH - COMPACT+ / MAXIMA Z
 BB - MAXIMA
 AL - CARGO



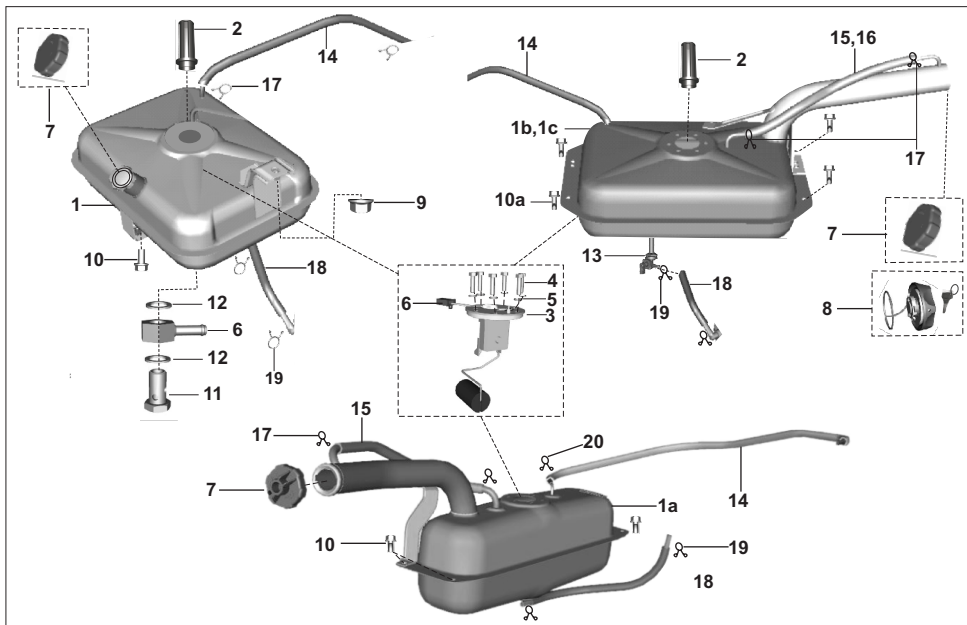
No.	Part No.	Description	BA	BH	BB	AL	Remarks
1	BA103326	Silencer BS4	1	-	-	-	
1a	BH591005	Assly silencer	-	1	-	-	alt- BH591004
1b	BB103356	Silencer assembly	-	-	1	1	
2	BB103357	Gasket exhaust manifold	1	1	1	1	
3	BA103323	Exhaust tube complete	1	-	-	-	
4	BB103382	Gasket (Muffler NA)	1	-	1	1	
5	BB103349	Manifold exhaust	-	-	1	1	
6	BB103358	Assly cat	-	-	1	1	
7	BB103368	Gasket cat assly	-	-	1	1	
8	39157915	Nut	7	3	9	9	
9	39157104	Bolt flanged Sil mtg Maxima	-	-	2	2	
10	39118011	Plain washer	2	2	2	2	
11	39182812	Spring washer	7	5	9	9	
12	39020011	Plain washer	3	3	3	3	
13	KADD0825	Bolt flanged	-	2	-	-	
14	KADD0830	Bolt flanged	3	-	4	4	
15	BA103322	Assly silencer complete	1	-	-	-	
16	BH591004	Assly silencer complete	-	1	-	-	
17	BB103348	Assly silencer complete	-	-	1	1	

BA - COMPACT
 BH - COMPACT+ / MAXIMA Z
 BB - MAXIMA
 AL - CARGO



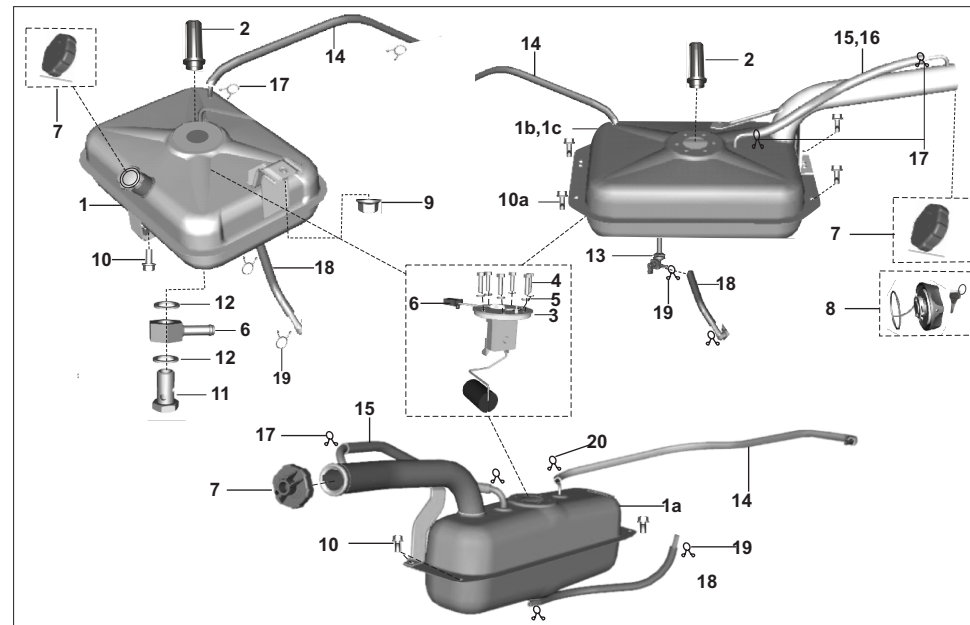
No.	Part No.	Description	BA	BH	BB	AL	Remarks
1	BB111014	Alternator (1-phase) BS4	1	1	1	1	
2	BA111023	Assembly stator (1 phase)	1	1	1	1	
3	39155204	Flange bolt	4	4	4	4	
4	BA102099	Key woodruff	1	1	1	1	
5	BA201006	Clamp	1	1	1	1	
6	39155604	Flange bolt	1	1	1	1	
7	BA102100	Nut (Flywheel)	1	1	1	1	
8	BG351602	Starter Motor	1	1	1	1	
8	BG351603	Starter Motor-TV	1	1	1	1	
9	BA201006	Clamp	4	4	4	4	
10	39163505	Stud	2	2	2	2	
11	39197015	Nut - Hexagon with flange-M8	2	2	2	2	
12	BA102216	Cover - dust (alternator)	1	1	1	1	
13	BA102215	Seal	1	1	1	1	
14	BA111016	Ring gear	1	1	1	1	
15	BG351601	Cover Starter motor	-	1	1	1	
16	AL101029	Pulley	-	-	1	1	
17	AL101030	Pulley rope	-	-	1	1	
18	AL101038	Bolt pre-coating	-	-	4	4	
19	39023911	Plain washer	-	-	4	4	
20	39182612	Washer spring	-	-	4	4	

BA - COMPACT
 BH - COMPACT+ / MAXIMA Z
 BB - MAXIMA
 AL - CARGO



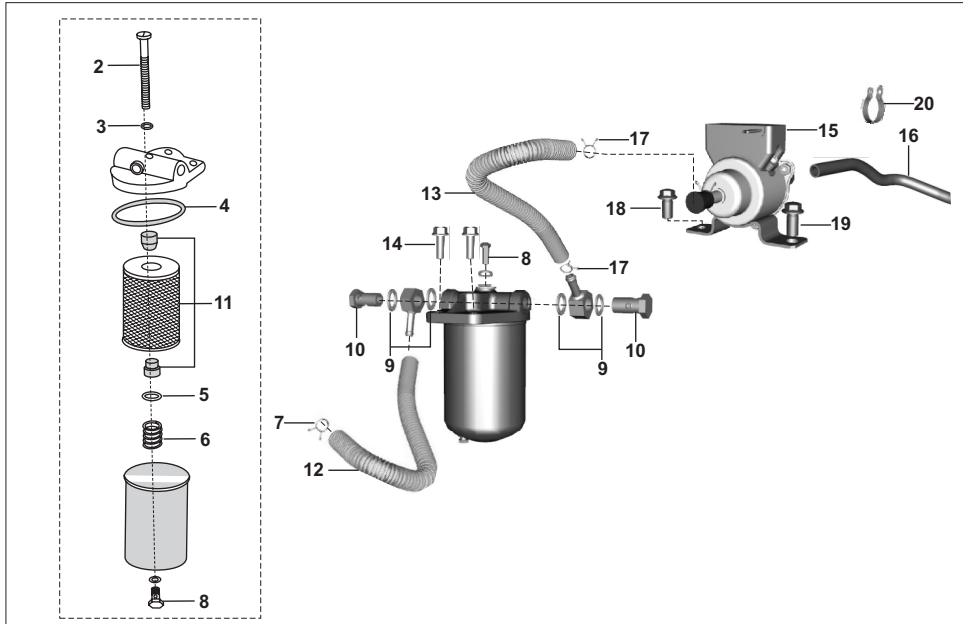
No.	Part No.	Description	BA	BH	BB	AL	Remarks
1	BA141041	Fuel tank metal only	1	-	-	-	
1a	BH171007	Assly fuel tank welded ug - Z	-	1	-	-	
1b	BG171006	Fuel tank complete	-	1	-	-	
1c	AL141048	Tank assembly	-	-	1	1	
2	BA141013	Fuel stainer	1	-	1	1	
3	AA201363	Tank unit (Fuel)	1	1	1	1	
3	BH402607	Assembly fuel tank unit ug - Z	-	1	-	-	
4	KAAA0518	Bolt- tank unit	6	-	-	-	
4	01160509	Hex bolt	-	6	6	6	
5	03190204	Plain washer	6	6	6	6	
6	AL121020	Joint for fuel line	1	-	-	-	
7	BH171601	Assembly fuel cap	1	1	-	-	
7	BH171602	Cap fuel tank diesel - Z	-	1	-	-	
8	36AL0014	Lock fuel tank cap w/o key	-	-	1	1	
9	KCGD0808	Hexagon nut-mtg. tank	2	2	4	4	
10	KADD0816	Bolt-mtg. tank	1	4	-	-	
10a	KADD0820	Bolt-mtg. tank	-	-	4	4	
11	BA141017	Bolt - banjo	1	-	-	-	
12	BA122143	Washer - copper- spare part	2	-	-	-	
13	BG171805	Tap fuel for fuel tank	-	1	-	-	
14	BA141067	Assembly pipe fuel overflow	1	-	-	-	
14	BH171830	Pipe assembly fuel-overflow	-	1	-	-	

BA - COMPACT
 BH - COMPACT+ / MAXIMA Z
 BB - MAXIMA
 AL - CARGO



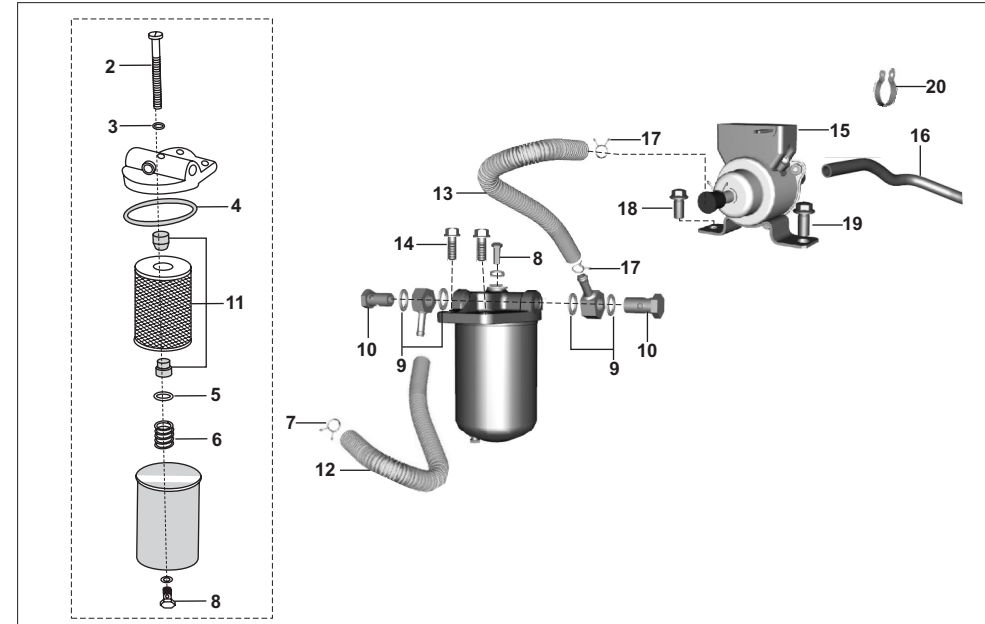
No.	Part No.	Description	BA	BH	BB	AL	Remarks
14	BH171827	Assembly pipe overflow ug - Z	-	1	-	-	
14	BB141077	Pipe assembly fuel overflow	-	-	1	1	
15	BG171800	Pipe fuel breather	-	1	-	-	
15	BH171813	Pipe fuel breather ug - Z	-	1	-	-	
16	AL141058	Pipe air vent	-	-	1	1	
17	33141008	Clamp breather pipe	2	2	2	2	
17	24121477	Clamp breather pipe - Z	-	2	-	-	
18	BA141030	Pipe assly fuel tank to filter	1	-	-	-	
18	BB141024	Pipe assly fuel tank to filter	-	1	-	-	
18	BH171818	Assembly pipe tank to filter ug - Z	-	1	-	-	
18	AL141054	Pipe assly fuel tank to filter	-	-	1	1	
19	33141007	clamp	2	4	4	4	
20	24141153	Clamp - Z	-	1	-	-	

BA - COMPACT
 BH - COMPACT+ / MAXIMA Z
 BB - MAXIMA
 AL - CARGO



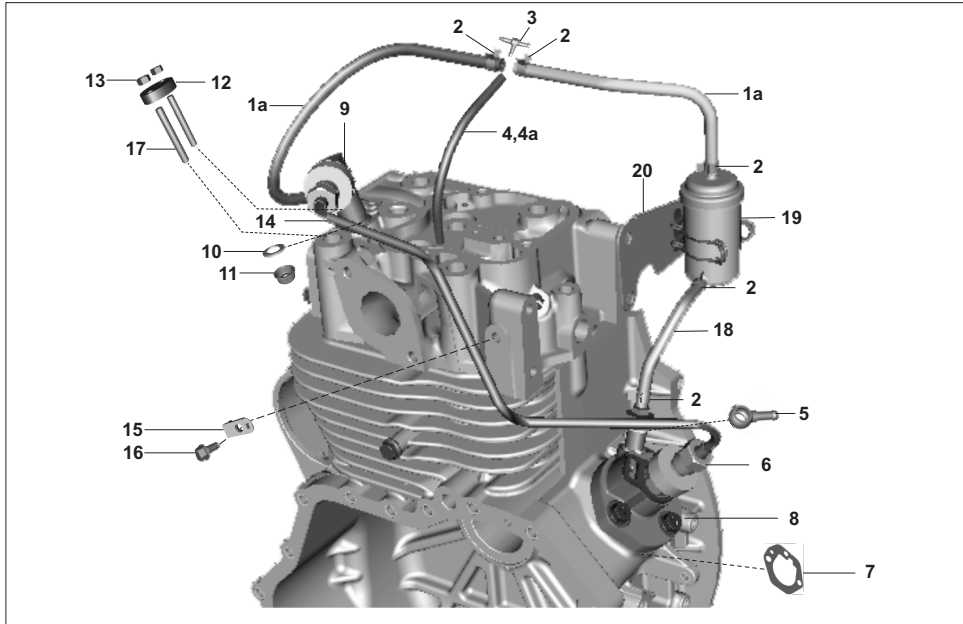
No.	Part No.	Description	BA	BH	BB	AL	Remarks
1	BA122072	Fuel filter (0.5 lit.) assly.	1	-	-	-	
1	BB121043	Fuel filter (0.5 lit.) assly.	-	1	1	1	
2	BA122134	Center bolt	1	-	-	-	
2	BB121049	Center bolt	-	1	1	1	
3	BA122135	Washer	1	-	-	-	
3	BA122135	Washer	-	1	1	1	
4	BA122137	Sealing ring	1	-	-	-	
4	BB121047	Sealing ring	-	1	1	1	
5	BA122139	Washer	1	-	-	-	
5	BB121048	Washer	-	1	1	1	
6	BA122140	Spring	1	-	-	-	
6	BA122140	Spring	-	1	1	1	
7	BA122003	Pipe Clip	5	-	-	-	
8	BA122142	Air vent screw	1	-	-	-	
9	BA122143	Copper washer	4	4	4	4	
10	BA141017	Banjo bolt	2	2	2	2	
11	BA122086	Fuel filter element	1	-	-	-	
11	BB121050	Fuel filter element	-	1	1	1	
12	BA141030	Pipe assly - tank to filter	1	-	-	-	
12	BB141024	Assly pipe - tank to filter	-	1	-	-	

BA - COMPACT
 BH - COMPACT+ / MAXIMA Z
 BB - MAXIMA
 AL - CARGO



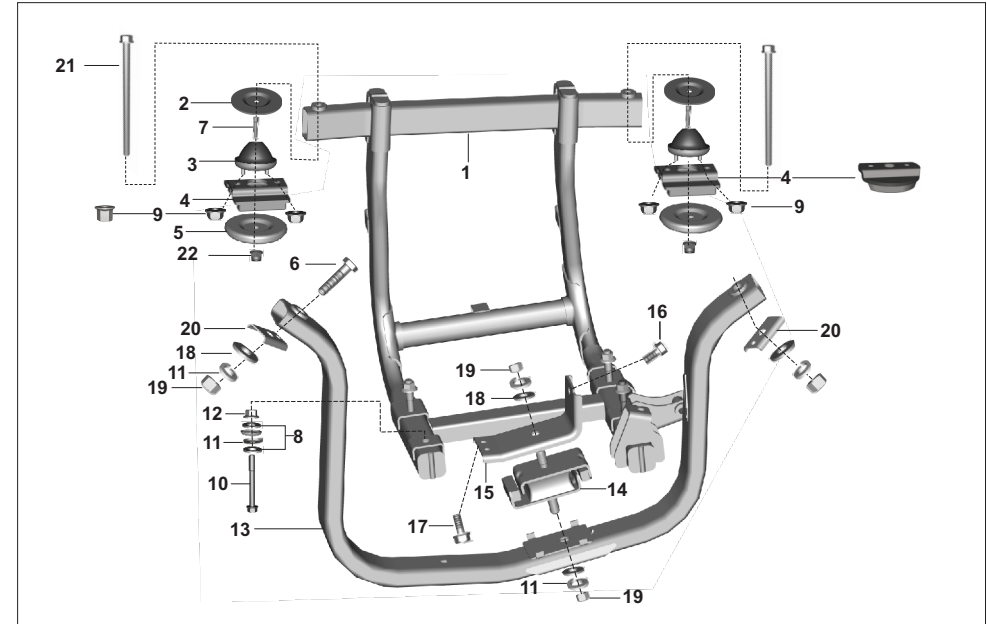
No.	Part No.	Description	BA	BH	BB	AL	Remarks
12	BH171816	Pipe tank to filter UG - Z	-	1	-	-	
12	AL141054	Pipe - tank to filter	-	-	1	1	
13	BA141029	Pipe assy fuel- filter to pump	1	-	-	-	
13	BH171810	Pipe assy fuel- filter to pump	-	1	-	-	
13	BH171821	Assly pipe filter to pump - Z	-	1	-	-	
13	BB141033	Pipe assy fuel- filter to pump	-	-	1	1	
14	KADD0825	Bolt flange- M8	2	2	2	2	
15	AL201034	Fuel pump	-	1	1	1	
16	BG171803	Pipe assy fuel-pump to engine	-	1	-	-	
16	BH171824	Assly pipe pump to engine - Z	-	1	-	-	
17	33141007	Clamp pipe to filter,	-	1	-	-	
18	KADD0616	Bolt-flange M8-Pump	-	1	-	-	
19	KAED0816	Bolt-flanged-small	-	1	-	-	
20	BA141034	Clamp	-	1	-	-	

BA - COMPACT
 BH - COMPACT+ / MAXIMA Z
 BB - MAXIMA
 AL - CARGO



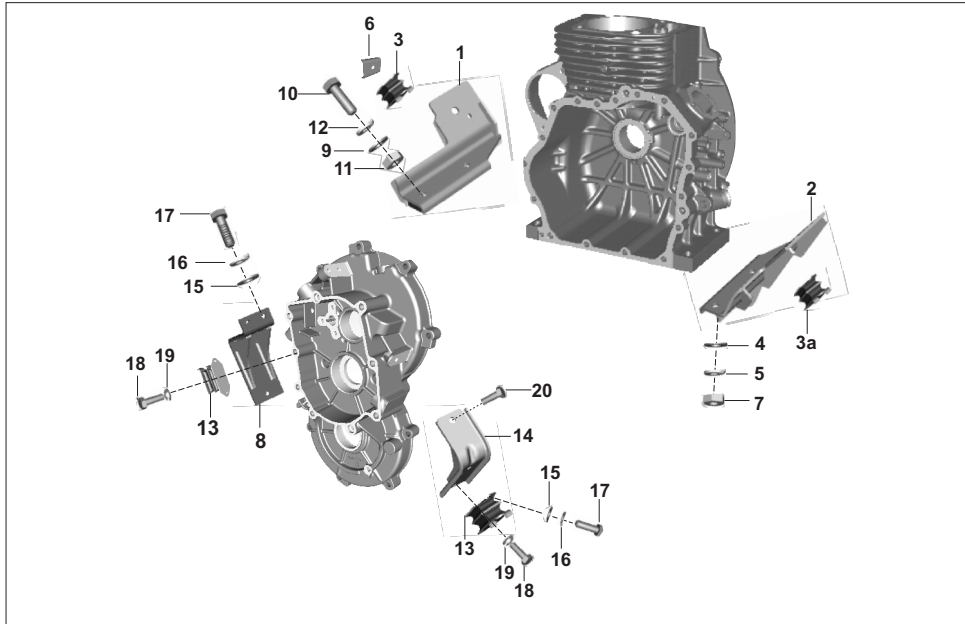
No.	Part No.	Description	BA	BH	BB	AL	Remarks
1	BB122228	Assembly pipe overflow complete	-	1	1	1	
1a	BB122226	Fuel overflow pipe	1	1	1	1	
1a	BA103024	Pipe reservoirs to T joint	1	-	-	-	
2	AA141046	Clip - pipe	6	6	6	6	
3	BA141033	T joint	1	1	1	1	
4	BG171804	Pipe assy fuel-overflow-injector	-	1	-	-	
4a	BB141038	Pipe assy fuel-overflow-injector	-	-	1	1	
5	BB121099	Joint FIP	1	1	1	1	
6	BB103043	Pump assy Injection	1	1	1	1	
7	BB103044	Pump adjust shim	1	1	1	1	
7	BB103045	Shim	1	1	1	1	
7	BB103132	Shim fip NBR - Z	-	2	-	-	
7	BB103125	Shim fip-0.4 MM - Z	-	1	-	-	
8	39081715	Flange nut	3	3	3	3	
9	BB121094	Nozzle holder assy (Bosch)	1	1	1	1	
10	BA122011	Packing	1	1	1	1	
11	BA122012	Seal heat	1	1	1	1	
12	BA122013	Clamp (Nozzle)	1	1	1	1	
13	39157915	Hexagon nut	2	2	2	2	
14	BB103343	Pipe high pressure	1	1	1	1	
15	BA122014	Clamp assy	1	1	1	1	
16	39155604	Flange bolt	1	1	1	1	
17	39226405	Stud - (injector)	2	2	2	2	
18	BA103017	Pipe res. To fip banjo	1	-	-	-	
19	BA103022	Reservoir fuel	1	-	-	-	
20	BA103031	Assembly bracket reservoir	1	-	-	-	

BA - COMPACT
BH - COMPACT+ / MAXIMA Z
BB - MAXIMA
AL - CARGO



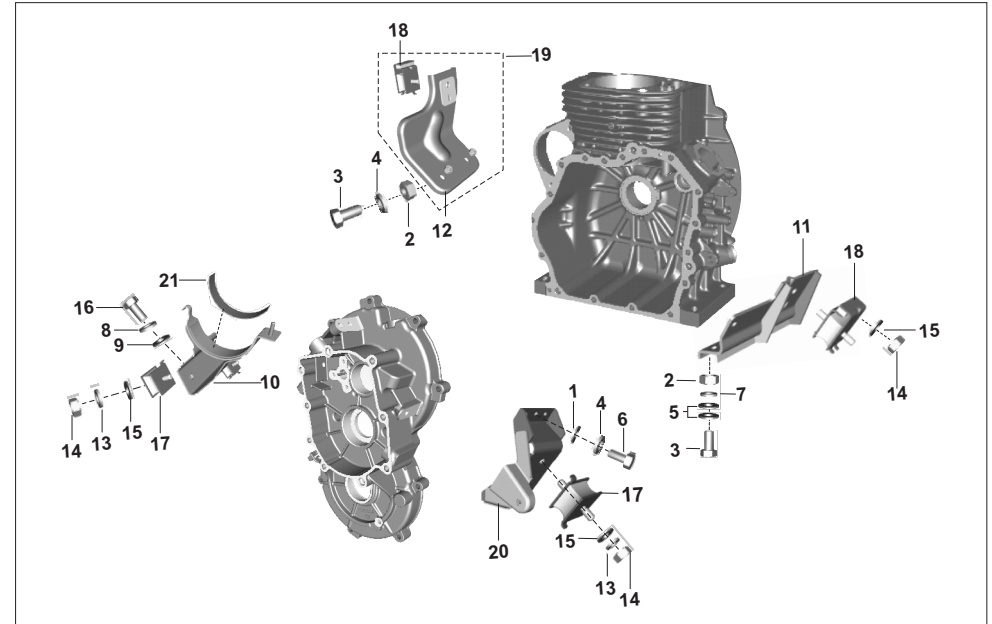
No.	Part No.	Description	BA	BH	BB	AL	Remarks
1	AL161775	Cradle hydroformed	-	-	1	1	
2	AL161252	Plate upper isolator	-	-	2	2	
3	AL161249	Rubber isolator engine	-	-	2	2	
4	BB161306	Plate stopper new	-	-	2	2	AL161250 -old
5	AL161505	Plate lower isolator	-	-	2	2	
6	KADD1250	Bolt - hexagon head- M12	-	-	2	2	39223704 -old
7	AL161251	Spacer rubber isolator	-	-	2	2	
8	AL101019	Washer	-	-	1	1	
9	LCG00007	Nut flanged- ex.tube-cyl head	-	-	6	6	39229515 -old
10	KADG1085	Bolt flanged	-	-	4	4	
11	KDDD1221	Washer - Spring	-	-	8	8	39182712 -old
12	KCGA1010	Hex nut flange-M10	-	-	4	4	39122515 -old
13	AL161302	Support engine-middle	-	-	1	1	
14	AL161247	Rubber isolator	-	-	1	1	
15	AL161253	Bracket isolator	-	-	1	1	
16	KADD1020	Bolt flange hexagonal	-	-	1	1	59040026 -old
17	KADD0616	Bolt flanged M6x1	-	-	2	2	59040014 -old
18	KDBA1226	Washer plain	-	-	4	4	39071411 -old
19	39046715	Nut hexagon -M12 x 1.5	-	-	4	4	
20	BA161030	Channel fixing - eng mount - RR	-	-	2	2	Old
21	LAD00010	Bolt - isolator low plate	-	-	2	2	
22	KCKC0811	Nut nyloc flange	-	-	2	2	

BA - COMPACT
BH - COMPACT+ / MAXIMA Z
BB - MAXIMA
AL - CARGO



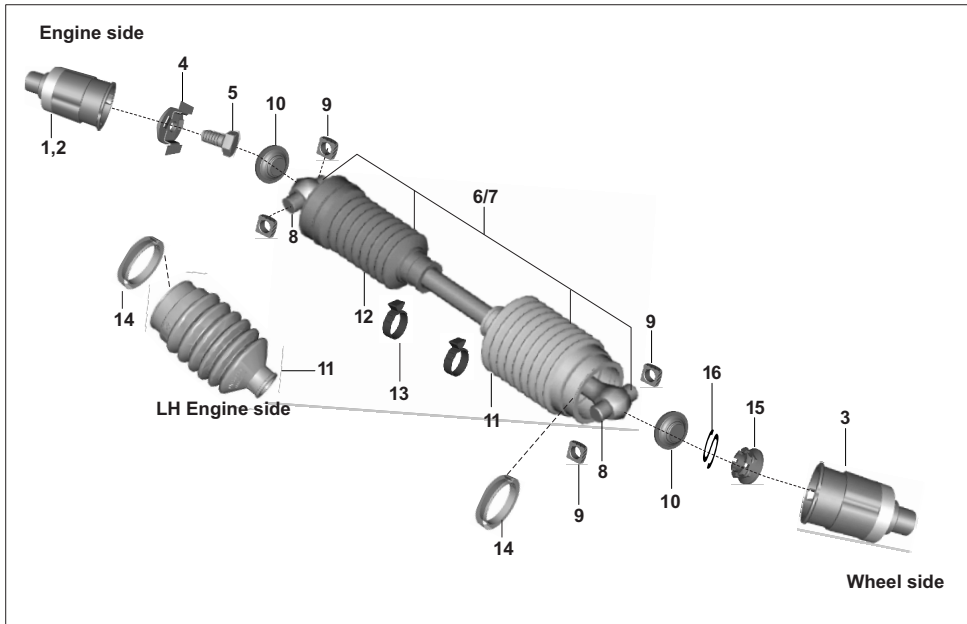
No.	Part No.	Description	BA	BH	BB	AL	Remarks
1	BA102158	Engine bracket FR	1	-	-	-	
2	BA102159	Engine bracket RR	1	-	-	-	
3	BH113411	Isolator rubber	1	-	-	-	
3a	BA161195	Isolator rubber	1	-	-	-	
4	39052611	Washer plain	3	-	-	-	
5	39182712	Washer - spring	4	-	-	-	
6	BA161031	Channel fix g.b mt RR	4	-	-	-	
7	39046715	Nut hexagon -M12 x 1.5	4	-	-	-	
8	BA102164	Bracket	1	-	-	-	
9	KDBA1022	Washer - plain	8	-	-	-	
10	LAG00006	Bolt hexagon -M10x1.5	4	-	-	-	
11	39029615	Hexagon nut-M10	4	-	-	-	
12	39182912	Spring washer	4	-	-	-	
13	BA102160	Rubber isolator-gb	2	-	-	-	
14	BA161167	Bracket engine mtg rear LH	1	-	-	-	
15	KDBA0613	Washer_plain	6	-	-	-	
16	KDDB0612	Washer spring thin	6	-	-	-	
17	KA AD0620	BOLT	6	-	-	-	
18	BA102233	Bolt long head M8	2	-	-	-	
19	39026512	Spring washer	2	-	-	-	
20	KADD1020	Bolt flange hexagonal	1	-	-	-	

BA - COMPACT
BH - COMPACT⁺ / MAXIMA Z
BB - MAXIMA
AL - CARGO



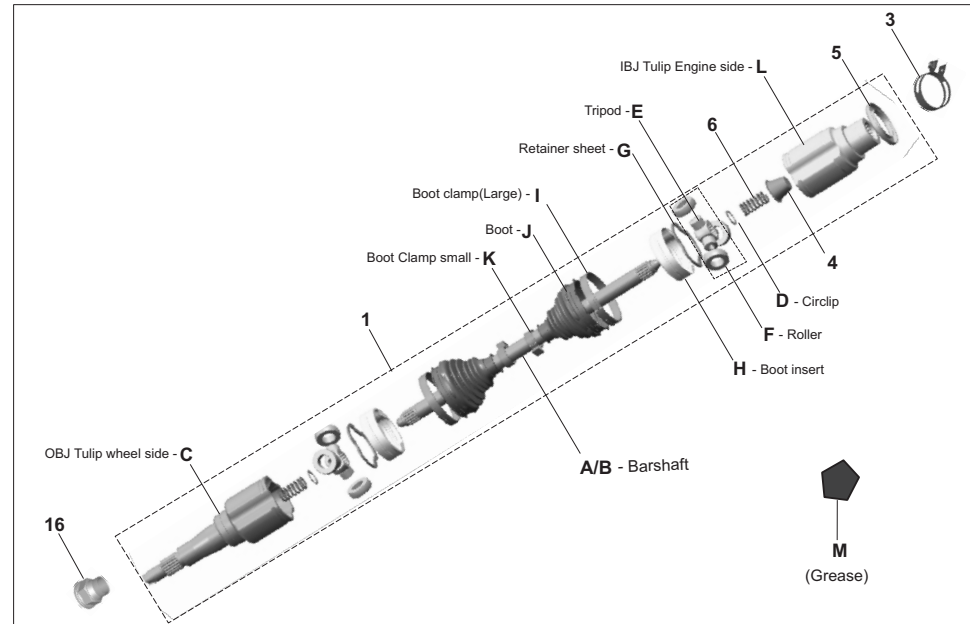
No.	Part No.	Description	BA	BH	BB	AL	Remarks
1	39122411	Plain washer	-	3	-	-	
2	39029615	Hexagon nut-M10	-	4	-	-	
3	39139604	Bolt hexagon-M10x1.5	-	4	-	-	
4	39182912	Spring washer	-	4	-	-	
5	39024811	Washer - plain	-	8	-	-	
6	39087404	Screw M8 hex head	-	3	-	-	
7	39026512	Spring washer	-	3	-	-	
8	39182812	Spring washer	-	3	-	-	
9	39118011	Washer	-	3	-	-	
10	BG581000	Bracket air filter	-	1	-	-	
11	BH113407	Bracket engine mtg RR RH	-	1	-	-	
11	BH113408	Bracket engine mtg rear RH	-	1	-	-	
12	BH113409	Assembly eng mtg bkt front RH	-	1	-	-	
12	BH113410	Bracket engine mtg front RH	-	1	-	-	
13	39182712	Washer - spring	-	1	-	-	
14	39046715	Nut hexagon -M12 x 1.5	-	1	-	-	
15	39071411	Washer plain	-	1	-	-	
16	39251704	Bolt - hexagon head - M8	-	3	-	-	
17	AL101020	Isolator rubber	-	2	-	-	
18	BH113411	Isolator rubber	-	2	-	-	
19	BH113409	Assly engine mtg bkt front RH	-	1	-	-	
20	BG113403	Assy bracket trans. Mounting	-	1	-	-	
21	BH113417	Packing rubber below air filter	-	1	-	-	

BA - COMPACT
BH - COMPACT⁺ / MAXIMA Z
BB - MAXIMA
AL - CARGO



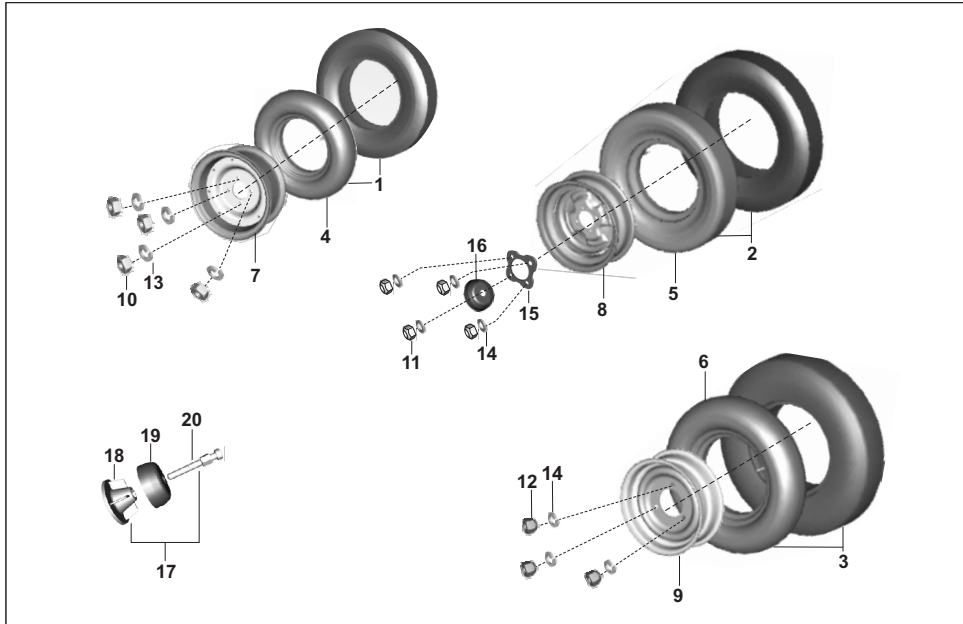
No.	Part No.	Description	BA	BH	BB	AL	Remarks
1	AA101722	Flange assly (Sat.gear)	1	-	-	-	
2	AA101721	Flange assly (diff. gear)	1	-	-	-	
3	AY141202	Flange assly (wheel side)	2	-	-	-	
4	24171014	Lock washer assly	2	-	-	-	
5	39011904	Bolt	2	-	-	-	
6	BA133055	Propeller shaft-LH assly.	1	-	-	-	
7	BA133052	Propeller shaft-RH assly.	1	-	-	-	
8	BA133057	Pin for propeller shaft	4	-	-	-	
9	BA133064	Slider block	8	-	-	-	
10	BA133062	Rubber buffer-SBO 60 OZ	4	-	-	-	
11	BA133058	Bellow spherical large	3	-	-	-	
12	BA133059	Bellow linear small RH engine side	1	-	-	-	
13	BA133060	Clamp EAR	4	-	-	-	
14	BA133061	Clamp ear - omega	4	-	-	-	
15	39118215	Nut	2	-	-	-	
16	24171066	Spring clip	2	-	-	-	

BA - COMPACT
 BH - COMPACT+ / MAXIMA Z
 BB - MAXIMA
 AL - CARGO



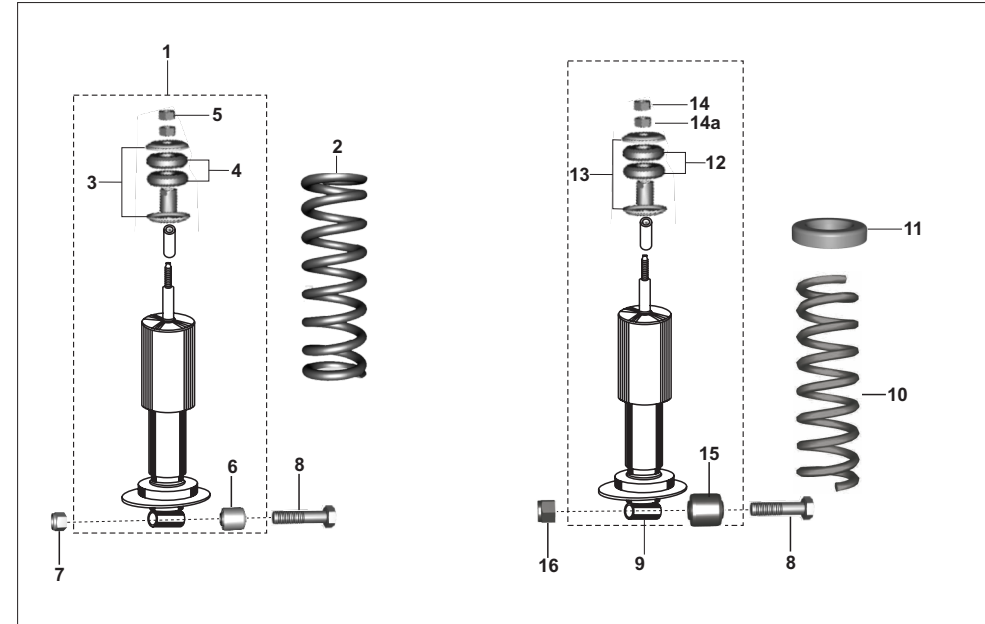
No.	Part No.	Description	BA	BH	BB	AL	Remarks
1	BH141225	Assembly drive shaft - RH	-	1	-	-	From-27.08.13
1	AL133004	Assembly drive shaft -RH	-	-	1	1	From-2.10.13
2	BH141224	Assembly drive shaft - LH	-	1	-	-	From-27.08.13
2	AL133003	Assembly drive shaft - LH	-	-	-	1	
3	BH551800	Clip lock drive shaft	-	2	2	2	
4	BH551420	Plug	-	1	1	1	
5	BH551421	Dust shield	-	1	1	1	
6	BH551409	Spring	-	2	2	2	
7	36BH0036	Kit Boot	-	4	4	4	J,I,K,M Kit-66
8	36BH0037	Kit Boot & retainer	-	4	4	4	J,I,K,M,G,H Kit-67
9	36BH0008	Kit OBJ	-	2	-	-	C,I,K,M Kit-59
9	36BH0009	Kit OBJ	-	-	2	2	C,I,K,M Kit-72
10	36BH0010	Kit OBJ & tripod	-	2	-	-	C,I,K,M,E,F,D Kit-60
10	36BH0011	Kit OBJ & tripod	-	-	2	2	C,I,K,M,E,F,D Kit-61
11	36BH0030	Kit IBJ	-	2	2	2	L,I,K,M Kit-63
12	36BH0031	Kit IBJ & tripod	-	2	2	2	L,I,K,M,E,F,D Kit-64
13	36BH0039	Kit Barshaft LH	-	1	-	-	A,D,I,K Kit-691
13	36AL0042	Kit Barshaft LH	-	-	1	1	A,D,I,K Kit-38
14	36BH0040	Kit Barshaft RH	-	1	-	-	B,D,I,K Kit-69
14	36AL0043	Kit Barshaft RH	-	-	1	1	B,D,I,K Kit-39
15	36BH0019	Kit roller (3 nos)	-	2	2	2	F. Kit-62

BA - COMPACT
 BH - COMPACT+ / MAXIMA Z
 BB - MAXIMA
 AL - CARGO



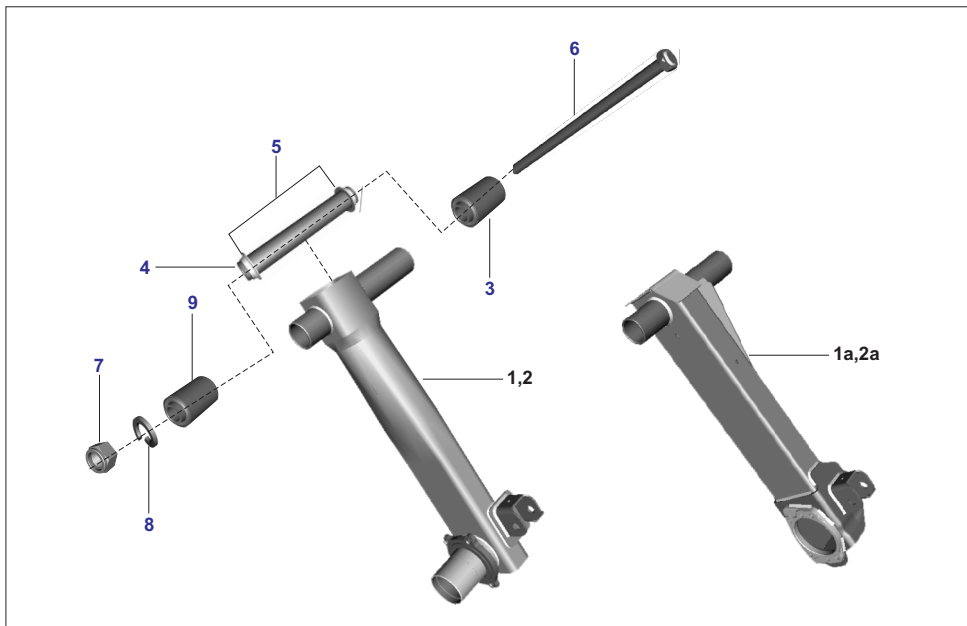
No.	Part No.	Description	BA	BH	BB	AL	Remarks
1	22151068	Tyre with tube	4	-	-	-	
2	BH131010	Tyre with tube 6-pr	-	4	-	-	
3	AL151017	Tyre with tube 4.5 x 10	-	-	4	4	
4	21150306	Tube	4	-	-	-	
5	BF121428	Tube	-	4	-	-	
6	AL151019	Tube	-	-	4	4	
7	52240764	Assly wheel rim -24151110	4	-	-	-	
8	BH131002	Assembly wheel rim 3.0b x 10	-	4	-	-	
9	AZ131004	Assembly wheel rim - Z	-	4	-	-	
8	AL151246	Assly rim	-	-	-	4	
10	LCA00010	Wheel nut	12	-	-	-	
11	39031215	Wheel nut	-	12	-	-	
11	BF131486	Nut conical M 10 - Z	-	12	-	-	
12	AL151252	Nut conical m12 wheel nut	-	-	-	9	
13	KDDB1018	Washer spring- wheel	12	-	-	-	
14	39182912	Washer spring- wheel	12	12	-	-	
15	BH131211	Washer plain special	-	3	-	-	
16	BH131206	Cap hub rear	-	2	2	2	
17	BH131407	Assembly cap spare wheel	1	1	-	-	
18	BH131404	Knob spare wheel	2	2	-	-	
19	BH131405	Cap anti-theft	-	1	-	-	
20	BH131403	Bolt spare wheel mounting fl	2	2	-	-	

BA - COMPACT
BH - COMPACT+ / MAXIMA Z
BB - MAXIMA
AL - CARGO



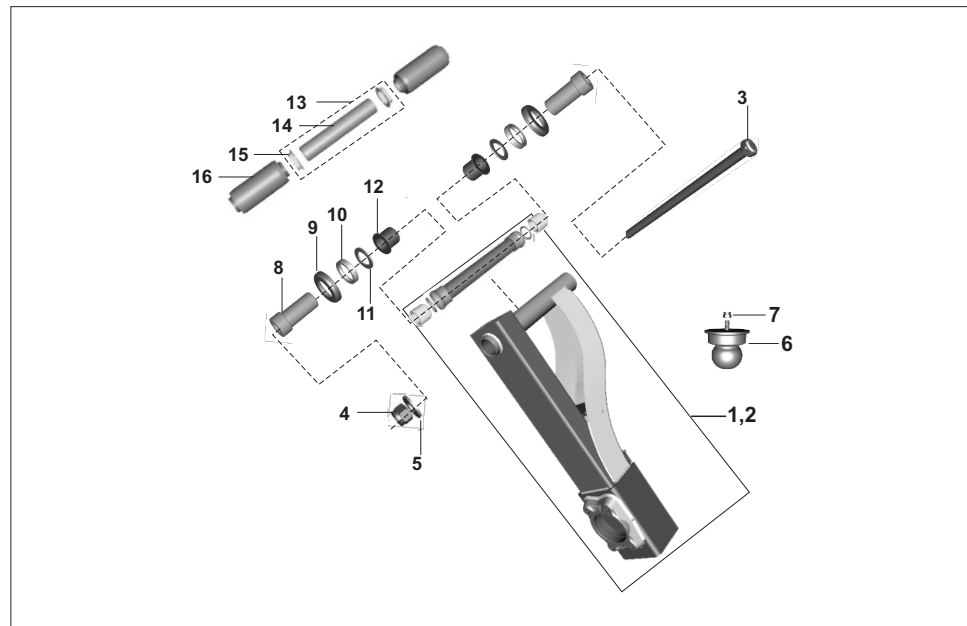
No.	Part No.	Description	BA	BH	BB	AL	Remarks
1	BA171009	Rear shock absorber assly	2	2	-	-	
1	AZ122008	Shockabsorber rear susp - Z	-	2	-	-	
2	BA171005	Rear suspension spring	2	-	-	-	
2	BH122000	Rear suspension spring	-	2	-	-	
2	AZ122009	Spring rear susp UG - Z	-	2	-	-	
3	BA171008	Cup washer top side	1	1	-	-	
4	BA171007	Rubber bush with cup washer	4	4	-	-	
5	KCAD1411	Nut hex thick	4	-	-	-	
5	KCHC1417	Nut nyloc-M14X1.5XHT. 17XGreen	-	4	-	-	
6	BB171036	Bush	2	2	-	-	
7	39260715	Nut - nyloc- M12 x 1.5	2	2	-	-	
8	24170507	Bolt for shock absorber	2	2	2	2	
9	AL171138	Rear shock absorber	-	-	2	2	
9	BB171040	Shockabsorber rear - LL	-	-	2	-	
10	BB171038	Spring rear suspension	-	-	2	2	
10	BB171041	Spring rear - LL	-	-	2	-	
11	AL171150	Rubber seat spring rear	-	-	2	2	
12	BA171007	Rubber bush with cup washer	-	-	4	4	
13	BF122056	Rebound washer	-	2	2	2	
14	KCAD1008	Nut hex thick	-	2	2	2	
14a	KCBD1006	Nut hex thin	-	2	2	2	
15	BB171036	Bush	-	-	2	2	
16	39260715	Nut - nyloc- m12 x 1.5	-	-	2	2	

BA - COMPACT
BH - COMPACT+ / MAXIMA Z
BB - MAXIMA
AL - CARGO



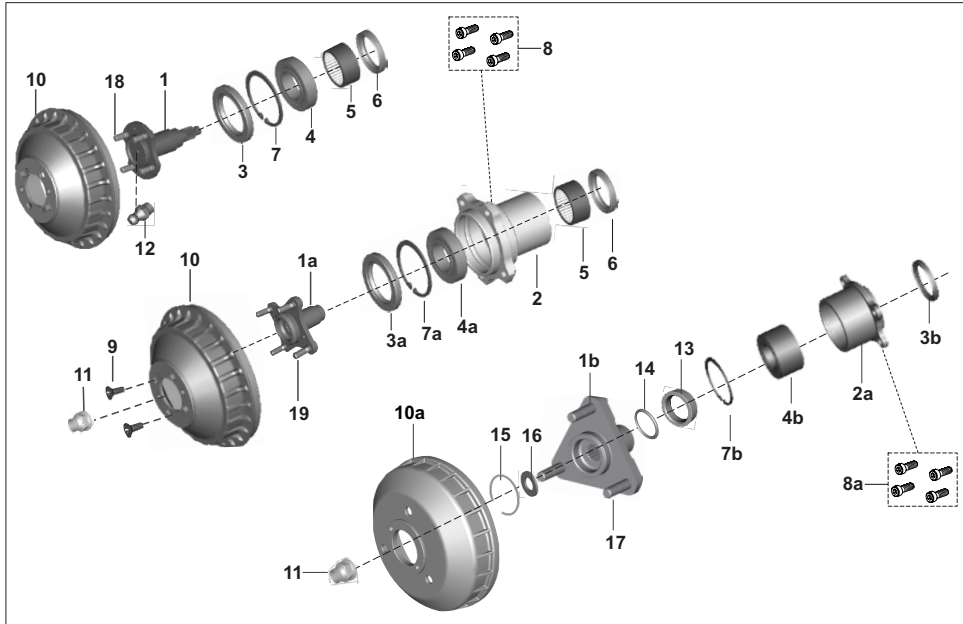
No.	Part No.	Description	BA	BH	BB	AL	Remarks
1	24171179	Trailing arm assly LH	1	-	-	-	
1a	36BH0048	Trlig assly with distance piece LH	-	1	-	-	
1a	BH122039	Assembly trailing arm LH - Z	-	1	-	-	
1a	BH122048	Trlig assly with dis.piece&bush LH	-	1	-	-	fr. 10.07.2017
2	24171180	Trailing arm assly RH	1	-	-	-	
2a	36BH0049	Trlig assly with distance piece RH	-	1	-	-	
2a	BH122040	Assembly trailing arm RH - Z	-	1	-	-	
2a	BH122049	Trlig assly with dis.piece&bush RH	-	1	-	-	fr. 10.07.2017
3	AA171006	Bush- silent for trailing arm	2	-	-	-	
3	AZ122005	Bush silent ta ug - Z	-	2	-	-	
4	AA171022	Distance piece assly	2	-	-	-	
4	AZ122007	Assembly dist piece ta tube - Z	-	2	-	-	
5	AA171024	Spacer ring-dist.piece	4	-	-	-	
6	AA171011	Pivot pin trailing arm	2	-	-	-	
6	AZ122016	Bolt flanged - Z	-	2	-	-	
7	39260715	Nut - nyloc-M12 X 1.5	2	-	-	-	
7	KCHA1417	Nut nylock - Z	-	2	-	-	
8	39026912	Washer - spring	2	-	-	-	
9	AA171006	Bush - silent for trailing arm	2	-	-	-	

BA - COMPACT
BH - COMPACT+ / MAXIMA Z
BB - MAXIMA
AL - CARGO



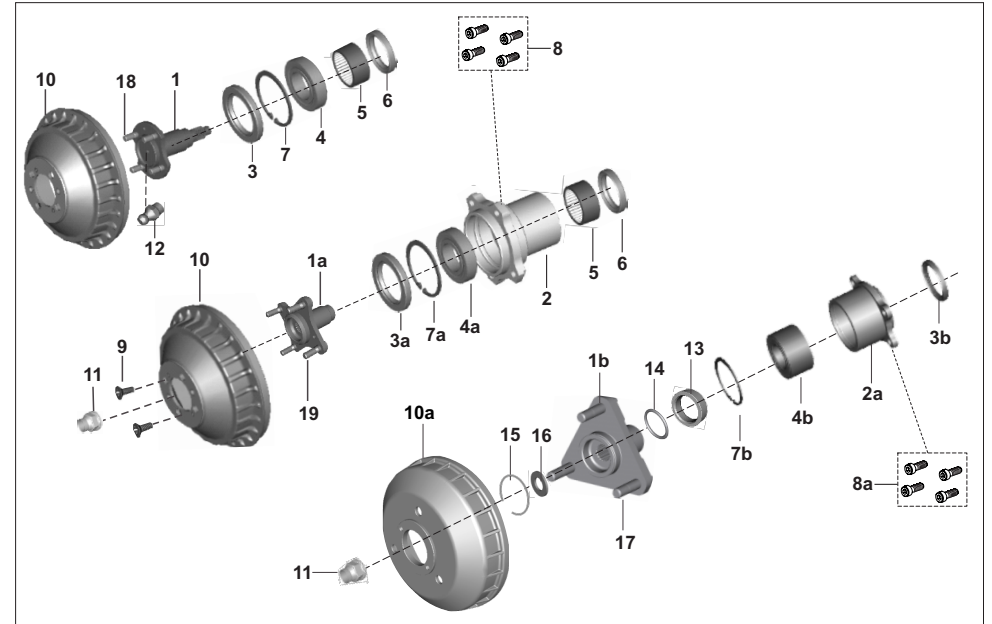
No.	Part No.	Description	BA	BH	BB	AL	Remarks
1	36BB0059	Trlig arm with distance piece LH	-	-	1	1	
1	BB171051	Trailing arm assly- LH	-	-	1	1	Bajaj maxima-11.07.2017
2	36BB0060	Trlig arm with distance piece RH	-	-	1	1	
2	BB171052	Trailing arm assly- RH	-	-	1	1	Bajaj maxima-11.07.2017
3	BH122002	Pivot pin trailing arm	-	2	-	-	
3	AL171158	Bolt trailing arm pivot	-	-	2	2	alt-AL171020 + KCAD1411
4	KCHC1417	Nut m14 - for AL171158	-	2	2	2	
4	KCHA1417	Nut -nyloc :- M14 X 1.5 - LL	-	-	2	-	
5	39256611	Plain washer	-	2	2	2	
6	AL171017	Damper rubber-rear suspension	-	-	2	2	
6	BB161289	Stopper bump - LL	-	-	2	-	
7	39069015	Nut - nyloc - M8	-	-	2	2	
8	BH122025	Sleeve inner trailing arm	-	2	2	2	
9	AL171153	Cover pivot tube ta igus	-	2	2	2	
10	JG122012	Oil seal	-	2	2	2	
11	BH122030	Stopper disc traling arm	-	2	2	2	
11	LDA00038	Washer plain	-	2	-	2	
12	BH122026	Bush igus trailing arm	-	2	2	2	
13	BB171055	Piece assembly distance-ta - LL	-	-	1	-	
14	BB171056	Piece distance trailing arm - LL	-	-	1	-	
15	BH122028	Spacer ring ta igus - LL	-	-	2	-	
16	AL171011	Bush silent ta ug- Bajaj maxima	-	-	2	2	fr.11.07.2017
16	AZ122005	Bush silent ta ug - LL	-	-	2	2	

BA - COMPACT
BH - COMPACT+ / MAXIMA Z
BB - MAXIMA
AL - CARGO



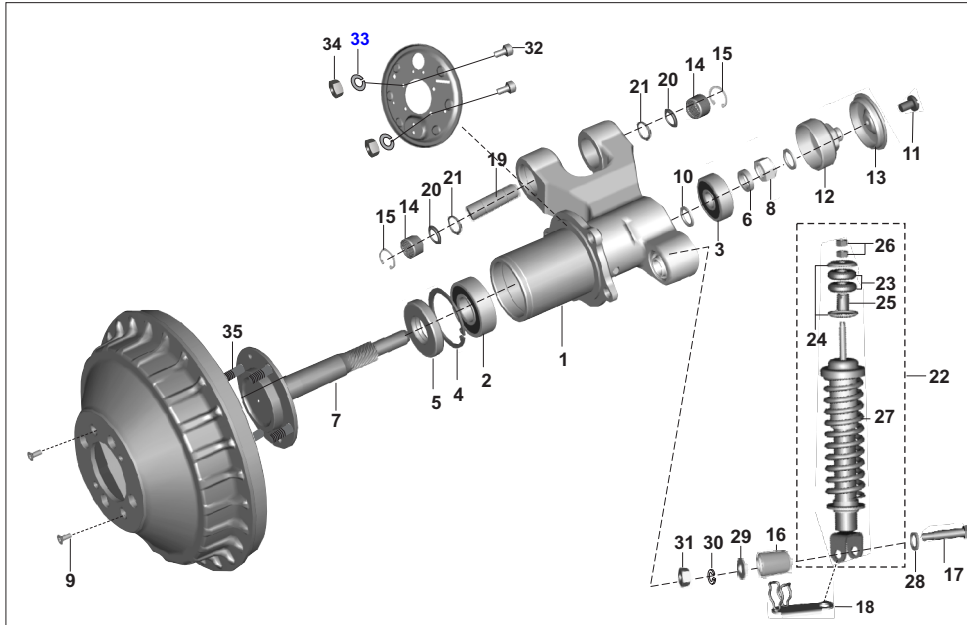
No.	Part No.	Description	BA	BH	BB	AL	Remarks
1	24171118	Axle assembly RR wheel	2	-	-	-	
1a	BH131204	Assembly drive flange	-	2	-	-	
1a	BH131217	Assembly drive flange - Z	-	2	-	-	
1b	AL151249	Assembly drive flange	-	-	2	2	
2	BH131203	Rear hub	-	2	-	-	
2	BH131220	Hub rear - Z	-	2	-	-	
2a	BB151030	Rear hub	-	-	2	2	
3	24171024	Seal - oil 48 dia.	2	-	-	-	
3a	BF131723	Seal 41x60x7	-	2	-	-	
3b	BB151034	Seal	-	-	2	2	
4	01100342	Bearing ball	2	-	-	-	
4a	BF131722	Bearing 30X55X13-RR Hub	-	2	-	-	
4b	BB151031	Bearing 30X55X13-RR Hub	-	-	2	2	
5	59200012	Bearing - needle (SL 35 20)	2	2	-	-	
6	22171007	Seal - oil	2	2	-	-	
7	39034217	Internal circlip	2	-	-	-	
7a	KEBB5520	Circlip	-	2	-	-	
7b	KEBB6825	Circlip	-	-	2	2	
8	LAC00035	Bolt-socket-m8	-	8	-	-	
8a	LAC00044	Bolt - Socket - M-8	-	-	8	8	
9	KBCA0410	Screw Csk Cross	4	4	-	-	
9	KBCA0614	Screw csk cross - Z	-	4	-	-	

BA - COMPACT
 BH - COMPACT+ / MAXIMA Z
 BB - MAXIMA
 AL - CARGO



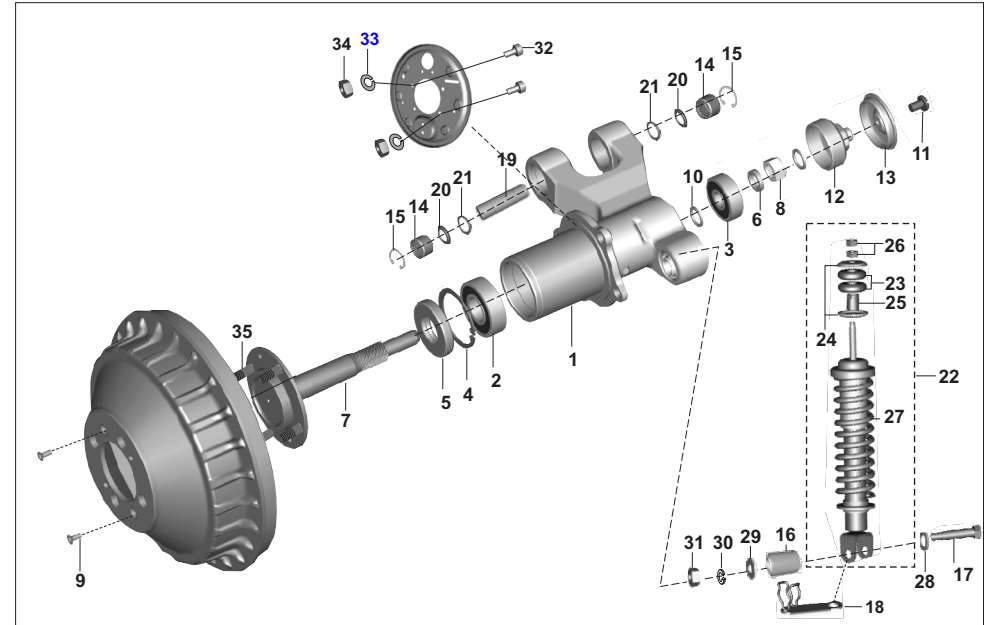
No.	Part No.	Description	BA	BH	BB	AL	Remarks
10	22151106	Brake drum RR	2	2	-	-	
10	BH131023	Drum brake - Z	-	2	-	-	
10a	AL151242	Drum brake rear	-	-	2	2	
11	BF131707	Nut axle M16	-	2	2	2	
12	24171075	Nipple - grease	2	-	-	-	
13	BB133066	Sleeve drive shaft	-	-	2	2	
14	KJAA3035	O ring	-	-	2	2	
15	AL151254	Circlip for AL151151	-	-	2	2	
16	KDBA1632	Washer plain	-	-	2	2	
17	AL171066	Bolt for axle	-	-	6	6	alt-AL171025
18	22170434	Bolt for axle Compact	4	-	-	-	
19	24151239	Bolt for drive flange Compact+	-	4	-	-	
19	BF131710	Bolt M10 - Z	-	4	-	-	
20	36244069	Kit rear wh. bearing	1	-	-	-	Kit-24
21	36BH0035	Kit rear wh. bearing	-	1	-	-	Kit-66
22	36BB0040	Kit rear wh. bearing	-	-	1	1	Kit-51

BA - COMPACT
 BH - COMPACT+ / MAXIMA Z
 BB - MAXIMA
 AL - CARGO



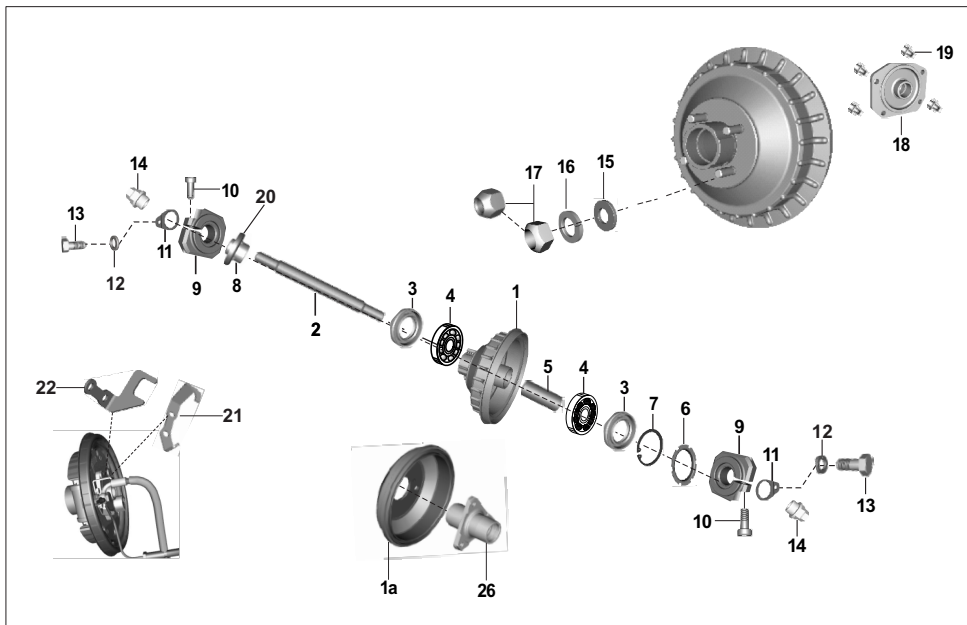
No.	Part No.	Description	BA	BH	BB	AL	Remarks
1	AA151047	Hub front wheel	1	-	-	-	
2	39255020	Bearing -ball:	1	-	-	-	
3	39236220	Bearing - ball :- 12 x 37 x 12	1	-	-	-	
4	KEBB4717	Circlip 47x17	1	-	-	-	
5	22170115	Seal - oil	1	-	-	-	
6	AA151049	Spacer	1	-	-	-	
7	24151266	Assly axle front wheel	1	-	-	-	
8	59150003	U nut m12	1	-	-	-	
9	KBCA0410	Screw csk cross	2	-	-	-	
10	22170118	Spacer	1	-	-	-	
11	KBBA0406	Screw pan - slotted :- m4 x 0.7	1	-	-	-	
12	AB171022	Cup - grease :- nut	1	-	-	-	
13	AB171023	Cap - front wheel hub	1	-	-	-	
14	AB171020	Bush - needle	2	-	-	-	
15	39235717	Circlip - internal	2	-	-	-	
16	AB171016	Bush assly-fr sh ab mtg	1	-	-	-	
17	AB171031	Bolt for sh abs mounting	1	-	-	-	
18	24151247	Assly bracket guide hose	1	-	-	-	
19	24171129	Pin pivot	1	-	-	-	
20	24171138	Spacer	2	-	-	-	
21	30101185	Ring - o	2	-	-	-	
22	AB171044	FR shock absorber assly	1	-	-	-	

BA - COMPACT
BH - COMPACT+ / MAXIMA Z
BB - MAXIMA
AL - CARGO



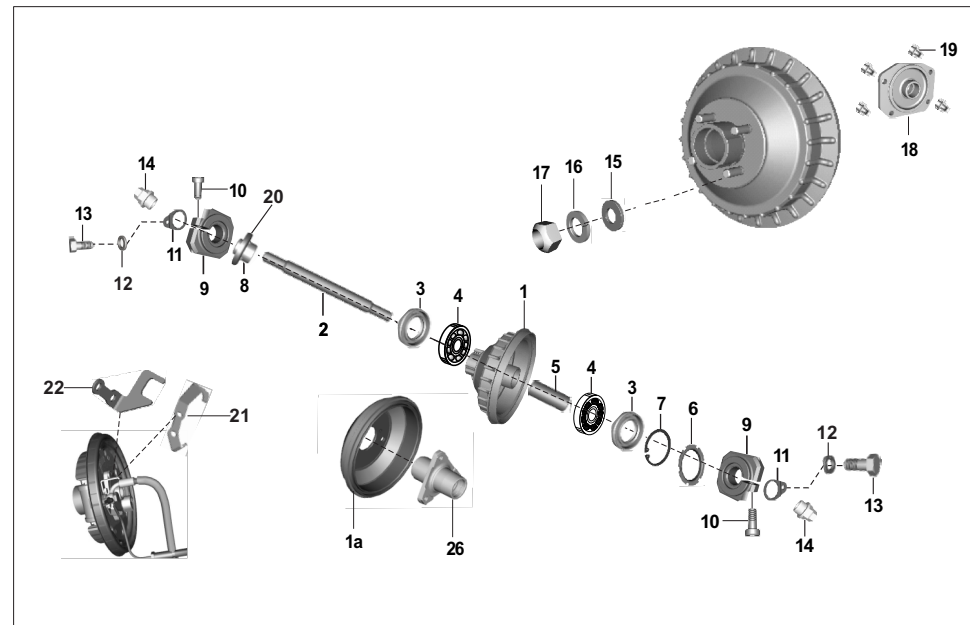
No.	Part No.	Description	BA	BH	BB	AL	Remarks
23	AB171013	Bush - top rubber	2	-	-	-	
24	AB171014	Cup - locating top rubb	2	-	-	-	
25	AB171015	Spacer nut spring cup	1	-	-	-	
26	39029515	Hexagon nut-m9x1.25	2	-	-	-	
27	AB171017	Spring - fr suspension	1	-	-	-	
28	39054311	Plain washer	1	-	-	-	
29	39105411	Plain washer	1	-	-	-	
30	39078912	Washer spring	1	-	-	-	
31	39029615	Hexagon nut	1	-	-	-	
32	24171117	Bolt hexagon wtht flange	4	-	-	-	
33	39078912	Washer spring	4	-	-	-	
34	39069415	Hex nut	4	-	-	-	
35	03100718	Bolt for rear/fr wheel flange	4	-	-	-	
36	36 2440 16	Kit pivot pin & bush(increased lngth)	1	-	-	-	14,26 Kit-18
37	36 2440 63	Kit front hub pin compact fl	1	-	-	-	14,15,26,27,28 Kit-23

BA - COMPACT
BH - COMPACT+ / MAXIMA Z
BB - MAXIMA
AL - CARGO



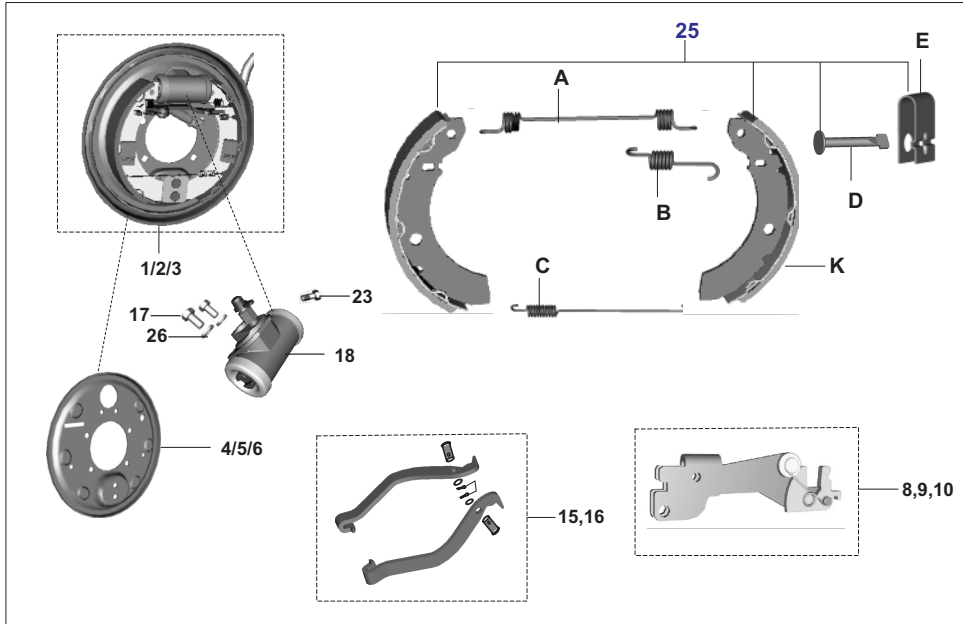
No.	Part No.	Description	BA	BH	BB	AL	Remarks
1	BH131809	Fr. Brake Drum with studs	-	1	-	-	
1a	AL151242	Drum brake front	-	-	1	1	
2	AP151002	Front Wheel Axle	-	1	-	-	
2	AL151004	Front Wheel Axle	-	-	1	1	
3	39173719	Seal - Oil :- 26 X 42 X 8	-	2	2	2	
4	39224020	Ball Bearing	-	2	2	2	
5	AP151025	Distance piece assly	-	1	-	-	
5	BH131024	Assly distance piece - Z	-	1	-	-	
5	AL151005	Distance piece assly	-	-	1	1	
6	AL151007	Collar	-	1	1	1	
7	39246417	Circlip	-	1	-	-	
7	KEBB4217	Circlip internal	-	-	1	1	
8	BH131600	Spacer assly. BH131601	-	1	-	-	
8	AL151008	Spacer assly.	-	-	1	1	
9	AL151089	Special Nut-M16	-	2	2	2	
10	39203804	Hex socket head bolt	-	4	4	4	
11	AL151012	Locking Clip	-	2	2	2	
12	39026312	Spring washer	-	2	2	2	
13	39107901	Hex head screw	-	2	2	2	
14	AL151011	Collar Nut	-	2	2	2	
15	39182912	Spring washer	-	4	-	-	
17	39031215	Hex nut.	-	4	-	-	

BA - COMPACT
 BH - COMPACT+ / MAXIMA Z
 BB - MAXIMA
 AL - CARGO



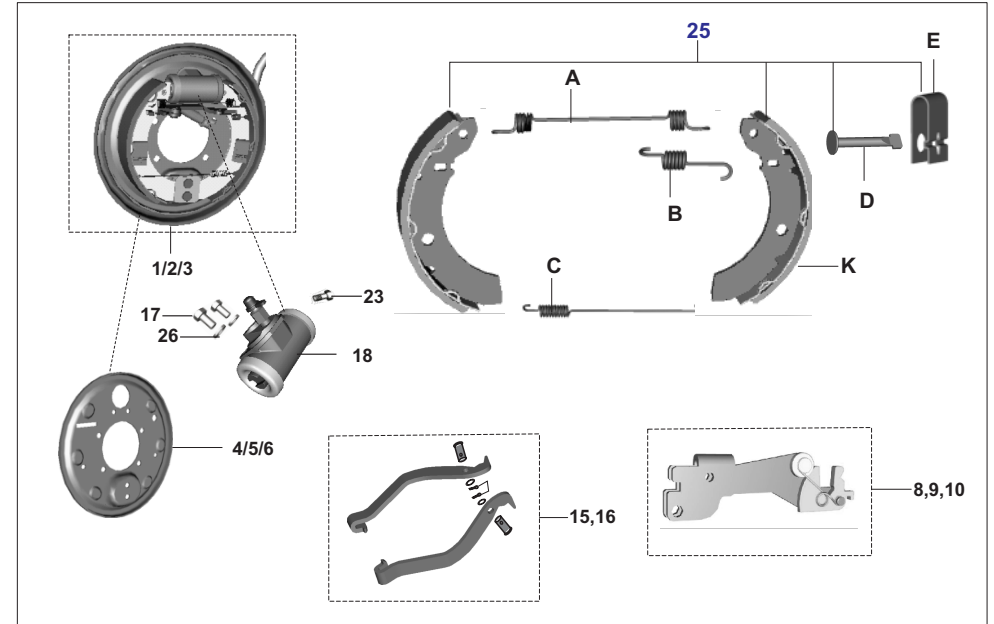
No.	Part No.	Description	BA	BH	BB	AL	Remarks
17	BF131486	Nut conical M 10 - Z	-	4	-	-	
18	AP151031	Flange Backplate Fr	-	1	-	-	
19	39253404	Bolt - Hexagon Head M8	-	4	-	-	
20	AL151243	Hub front cargo	-	-	-	1	
21	BH131011	Bracket hose guide front	-	1	-	-	
22	AL151263	Bracket hose guide	-	-	1	1	

BA - COMPACT
 BH - COMPACT+ / MAXIMA Z
 BB - MAXIMA
 AL - CARGO



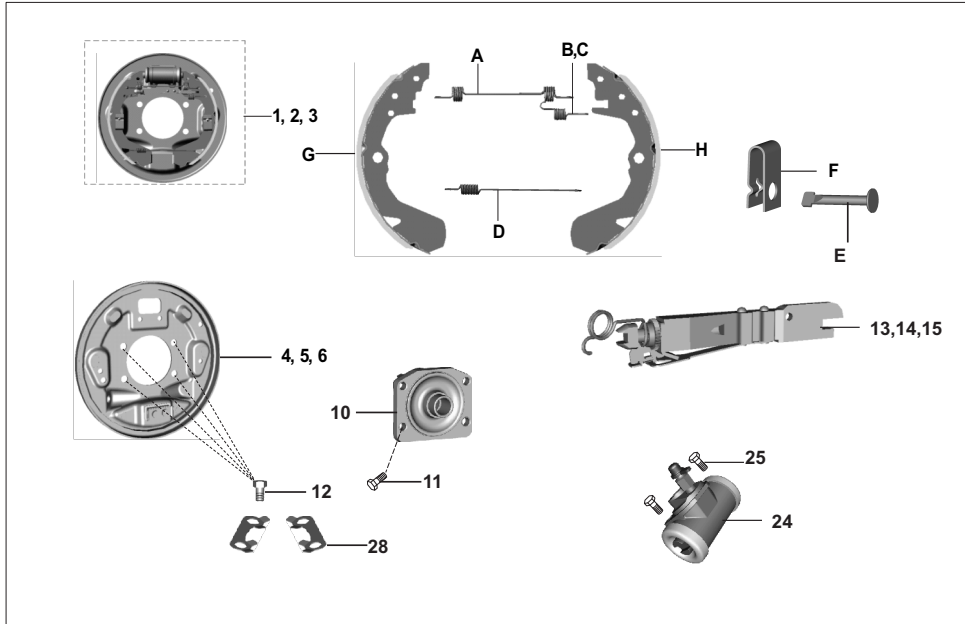
No.	Part No.	Description	BA	BH	BB	AL	Remarks
1	24151243	Panel assembly FR brake	1	-	-	-	
1	BH131006	Panel assembly front	-	1	-	-	
2	BH131213	Panel assly RH	1	1	-	-	
3	BH131212	Panel assly LH	1	1	-	-	
4	AP151017	Back panel assly FR	1	1	-	-	
5	24151174	Back plate assly. LH	1	1	-	-	
6	24151178	Back panel assly RH	1	1	-	-	
7	24151168	Auto adjuster assly FR	1	1	-	-	Kit-1
8	24151179	Auto adjuster assly RH	1	1	-	-	
9	24151175	Auto adjuster assly LH	1	1	-	-	
10	24151268	brake shoe kit (ask lining)	3	3	-	-	2nos Kit-4
11	24151172	Shoe clamp spring kit	3	3	-	-	Kit-5
12	24151182	Spring kit RH	3	3	-	-	Kit-7
12a	24151173	Spring kit FR/LH	3	3	-	-	
13	24151170	Ratchet kit for FR/LH	2	2	-	-	Kit-2
14	24151181	Ratchet kit RH	1	1	-	-	Kit-3
15	24151177	Kit parking lever LH	1	1	-	-	Kit-10
16	24151183	Kit parking lever RH	1	1	-	-	Kit-11
17	AL151054	Bolt	2	2	-	-	
18	24151163	Wheel cylinder FR	1	1	-	-	
18	24151164	Wheel cylinder RR	2	2	-	-	
19	24151107	Major kit fr	1	-	-	-	Kit-16

BA - COMPACT
 BH - COMPACT+ / MAXIMA Z
 BB - MAXIMA
 AL - CARGO



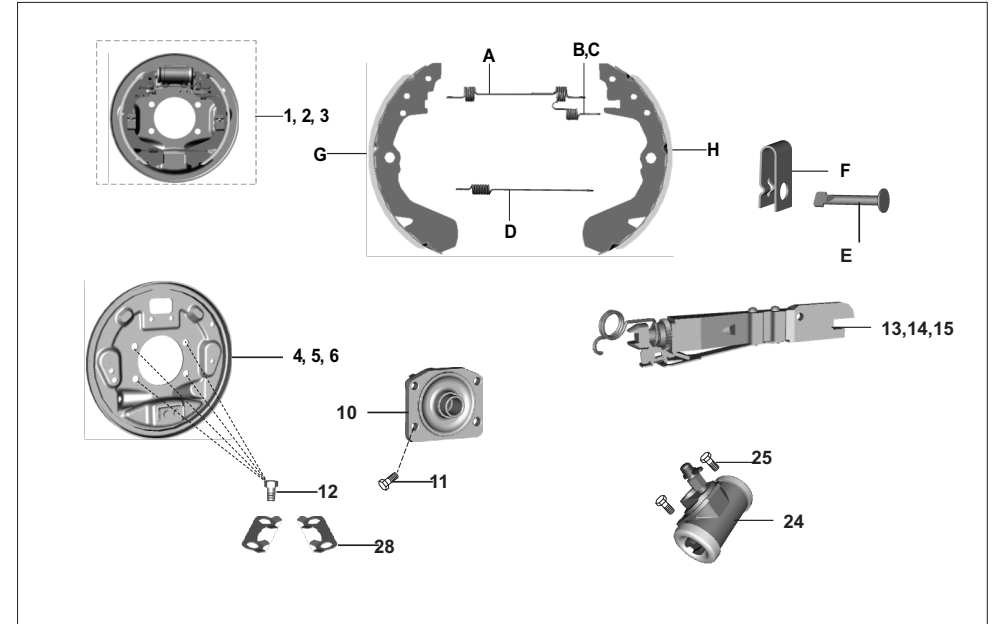
No.	Part No.	Description	BA	BH	BB	AL	Remarks
20	24151108	Minor kit fr	1	-	-	-	Kit-17
21	24151113	Major kit rr	-	1	-	-	Kit-12
22	24151114	Minor kit rr	-	1	-	-	Kit-14
23	AB151079	Screw - bleeder	1	1	-	-	
24	AL151052	Cap - bleeder 64	1	1	-	-	
25	24151171	Brake shoe kit with spring	1	1	-	-	Inc-7,11
26	AL151053	Washer spring	2	2	-	-	
27	36BA4014	Wheel cylinder mtg kit	1	1	-	-	(screw 2,brk 1)
A		Main spring	3	3	-	-	
B		Spring strut holding	1	1	-	-	
C		Spring shoe holding	1	1	-	-	
D		Pin pivot shoe	2	2	-	-	
E		Spring shoe clamping	2	2	-	-	
F		Spring strut	1	1	-	-	
G		Strut plate	1	1	-	-	
H		Pinion	3	3	-	-	
I		Plate ratchet	1	1	-	-	
J		Pin ratchet	1	1	-	-	
K		Liner	1	1	-	-	

BA - COMPACT
 BH - COMPACT+ / MAXIMA Z
 BB - MAXIMA
 AL - CARGO



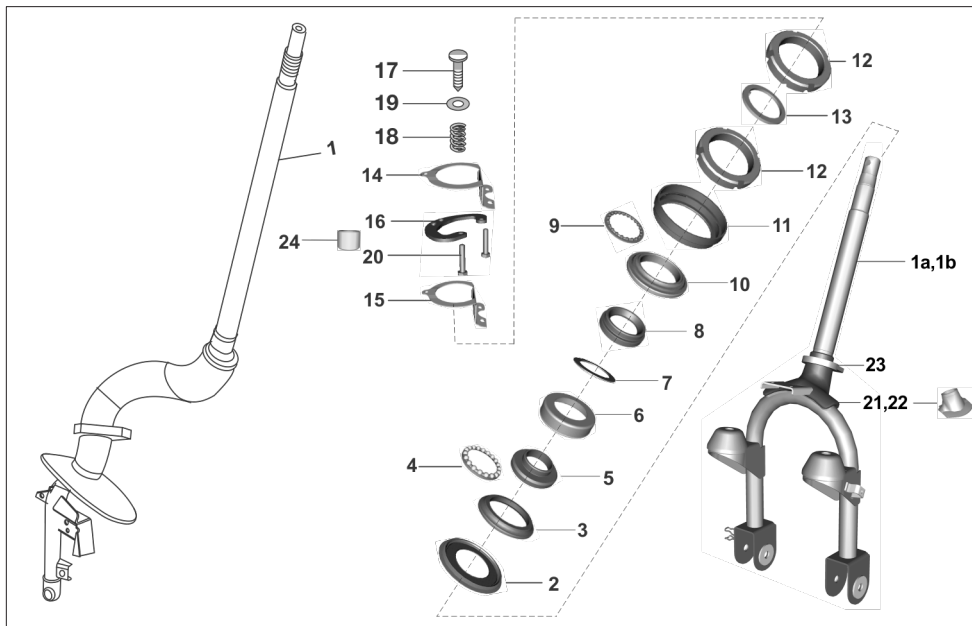
No.	Part No.	Description	BA	BH	BB	AL	Remarks
1	AL151235	Assembly brake panel with flange	-	-	1	1	
1	AL151236	Panel Ass FR 3wh Cargo	-	-	1	1	
2	AL151238	Panel assly RH	-	-	1	1	
3	AL151237	Panel assly LH	-	-	1	1	
4	36AL0033	Back plate assly FR-AL151239	-	-	1	1	
5	36AL0038	Back platel assly RH-BB151262	-	-	1	1	Kit-36
6	36AL0040	Back plate assly. LH BB151261	-	-	1	1	Kit-37
7	BB151064	Shoe clamp spring kit	-	-	3	3	inc-E,F Kit-6
8	BB151062	Spring kit fr. LH	-	-	3	3	inc-A,B,D Kit-8
9	BB151063	Spring kit RH	-	-	3	3	inc-A,C,D Kit-9
10	52AL0394	Flange back plate cargo - AL151266	-	-	1	1	
11	390423 04	Bolt hexagon head	-	-	4	4	
12	390423 04	Bolt-lock plate	-	-	4	4	
13	AL151194	Auto adjuster assly front	-	-	1	1	
15	AL151211	Auto adjuster assly LH	-	-	1	1	
19	36AL0050	Front brake shoe kit maxima C	-	-	1	1	Kit-73
20	36AL0051	Rear rh brake shoe kit maxima C	-	-	1	1	Kit-74
21	36AL0052	Rear lh brake shoe kit maxima C	-	-	1	1	Kit-75
22	36AL0034	Flange kit fr re-cargo	-	-	3	3	Kit-34
23	36AL0035	Benjo bolt kit	-	-	3	3	Kit-35
24	AL151231	Assy wheel cylinder	-	-	3	3	
25	AL151205	Bolt wheel cylinder Mtg.	-	-	2	2	
26	36AL0030	Wheel cylinder major kit	-	-	3	3	Kit-32

BA - COMPACT
BH - COMPACT+ / MAXIMA Z
BB - MAXIMA
AL - CARGO



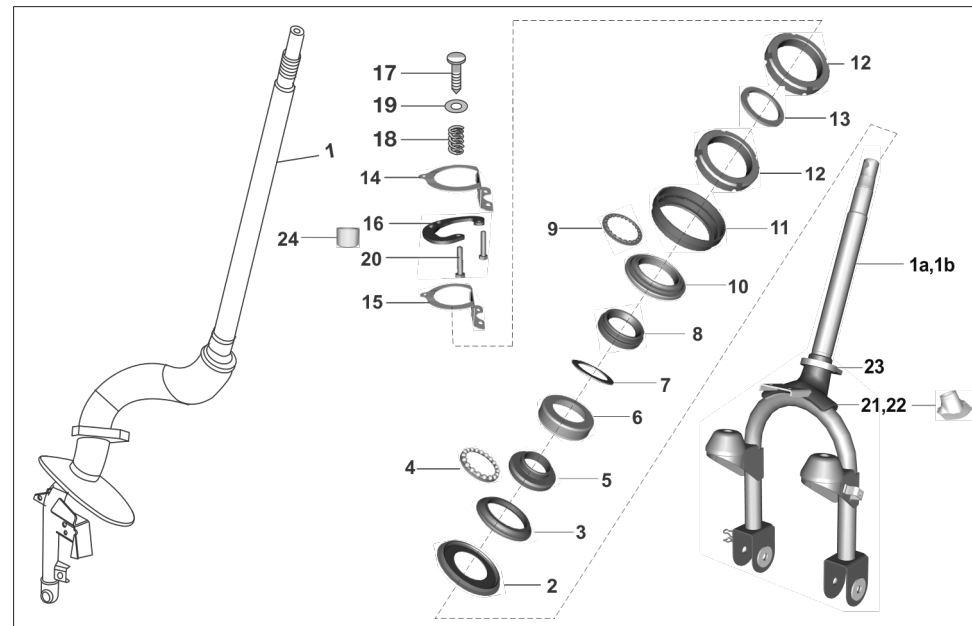
No.	Part No.	Description	BA	BH	BB	AL	Remarks
27	36AL0029	Wheel cylinder minor kit	-	-	3	3	Kit-31
28	AL171053	Lock plate	-	-	2	2	
29	BF131905	Washer spring	-	-	3	3	
30	BF131904	Plug protection	-	-	2	2	
31	36BB0035	Protection plug kit	-	-	3	3	Kit-50
32	36BA4014	Wheel cylinder mounting kit	-	-	3	3	
A		Main spring	-	-	1	1	
B		Spring strut holding LH & FR	-	-	1	1	
C		Spring strut holding RH	-	-	1	1	
D		Spring shoe holding	-	-	1	1	
E		Pin pivot shoe	-	-	1	1	
F		Spring shoe clamping	-	-	1	1	
G		Break shoe leading	-	-	1	1	
H		Break shoe Trailing	-	-	1	1	

BA - COMPACT
BH - COMPACT+ / MAXIMA Z
BB - MAXIMA
AL - CARGO



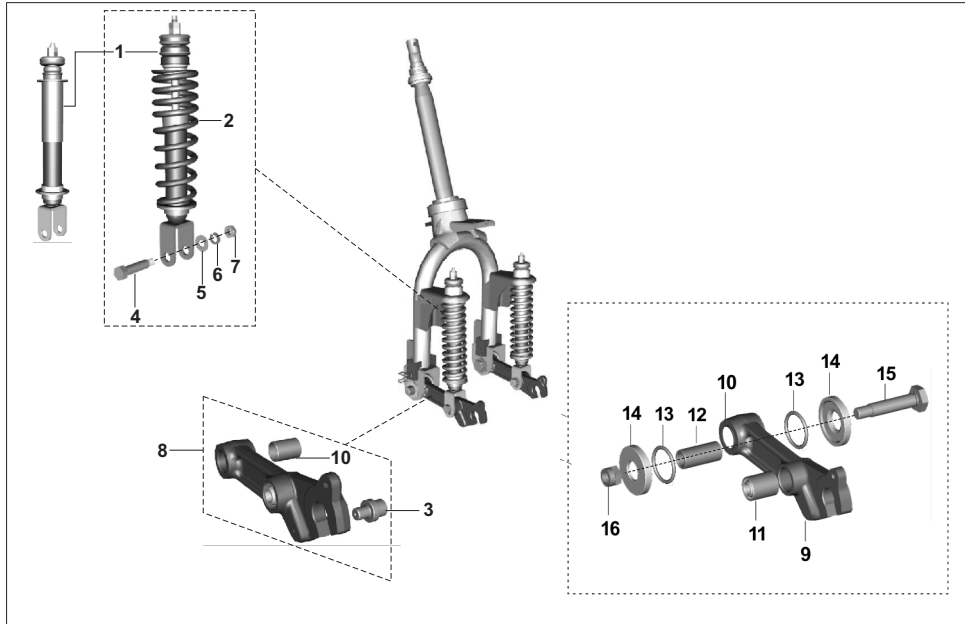
No.	Part No.	Description	BA	BH	BB	AL	Remarks
1	AA171027	Steering column assembly	1	-	-	-	
1a	BH151064	Fork assembly	-	1	-	-	
1b	BB181012	Fork assembly	-	-	1	1	
2	AA181023	Dust cover bottom	1	-	-	-	
2	BH151007	Cover dust lower	-	1	-	-	
2	AL181006	Cover dust lower	-	-	1	1	
3	AA181022	Bearing race lower	1	1	-	-	
3	AL181004	Bearing race lower	-	-	1	1	
4	AB181012	Steel ball with cage lower	1	1	-	-	
4	AL181007	Balls with cage lower	-	-	1	1	
4	BB181037	Ball with cage-solid oil - LL	-	-	1	-	
5	AB181033	Bearing race lower outer	1	1	-	-	
5	AL181003	Bearing race lower outer	-	-	1	1	
6	BH151008	Dust cover top bearing	1	1	-	-	
6	AL181005	Dust cover top	-	-	1	1	
7	BH151009	Spacer fork front	1	1	-	-	
7	BB181010	Spacer fork front	-	-	1	1	
8	AB181019	Bearing race upper outer	1	1	1	1	
8	BB181036	Race bearing upper-outer - LL	-	-	1	-	
9	AB181017	Steel ball with cage upper	1	1	-	-	
9	AL181009	Steel ball with cage upper	-	-	1	1	
9	BB181035	Ball with cage-solid oil - LL	-	-	1	-	
10	24181046	Bearing race upper inner	1	1	1	1	
10	BB181034	Race bearing upper-inner - LL	-	-	1	-	

BA - COMPACT
 BH - COMPACT+ / MAXIMA Z
 BB - MAXIMA
 AL - CARGO



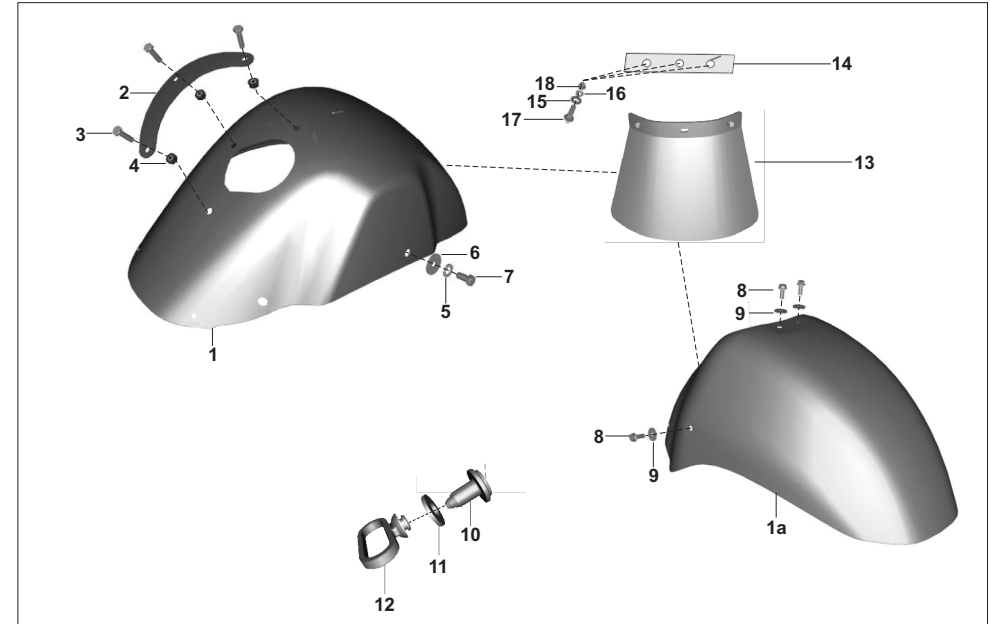
No.	Part No.	Description	BA	BH	BB	AL	Remarks
11	24161443	Dust Cover	1	1	1	1	
12	24181047	Lock ring upper race	2	2	2	2	
13	AB181020	Spacer washer bearing	1	1	1	1	
14	BH151065	Plate upper	1	1	-	-	NS-alt 25
14	AB181023	Plate upper	-	-	1	1	
15	BH151066	Plate assly lower	1	1	1	1	NS-alt 25
15	AB181022	Plate assly lower.	-	-	1	1	
16	22181058	Steering lock plate assly	1	1	1	1	
17	21180307	Knob	1	1	1	1	
18	21180308	Spring	1	1	1	1	
19	39019811	Washer plain	1	1	1	1	
20	KAAD0520	Bolt	2	2	-	-	
20	KAAD0525	Bolt	-	-	2	2	
21	BH1110 56	Rubber flap / bellow	-	1	-	-	
22	BB161107	Rubber flap / bellow	-	-	1	1	
23	BH121002	Strap Cable (210x6)	-	1	-	-	
24	24181161	Spacer dampening plate	2	2	-	-	
24	BB151052	Spacer dampening plate	-	-	2	2	
25	36244085	Kit Plate assly (14,15)	1	1	1	1	Kit-25
26	36244041	Kit steering cone upper	1	1	-	-	Kit-20
27	36AL0022	Kit steering cone upper	-	-	1	1	Kit-30
28	36AL0005	Kit lower steering cone lower	-	-	1	1	Kit-27
29	36AB4003	Kit lower steering cone lower	1	1	-	-	Kit-26

BA - COMPACT
 BH - COMPACT+ / MAXIMA Z
 BB - MAXIMA
 AL - CARGO



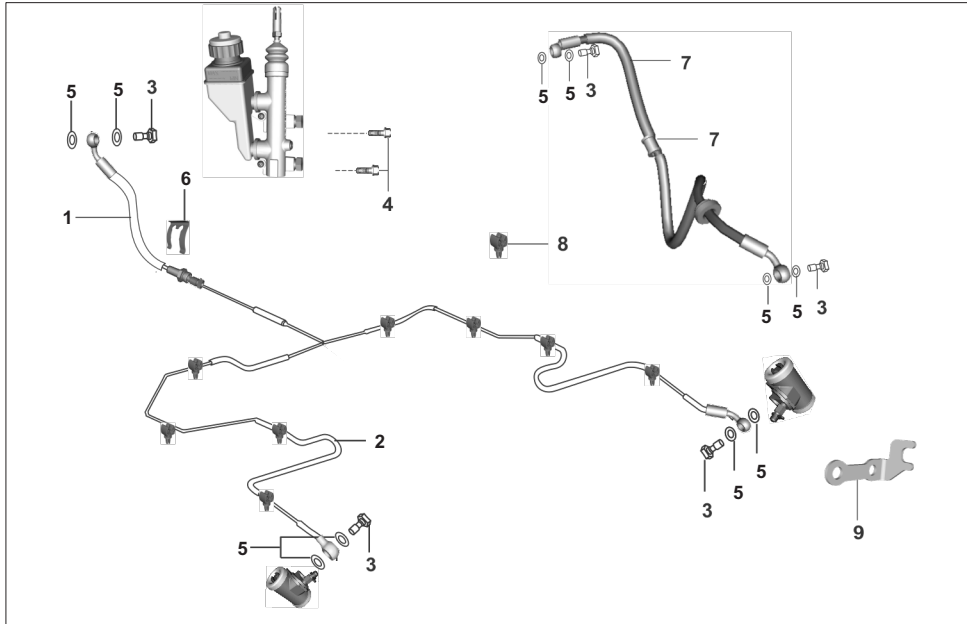
No.	Part No.	Description	BA	BH	BB	AL	Remarks
1	BH121004	Shock absorber front	-	2	-	-	
1	AL171139	Shock absorber front	-	-	2	2	
2	BH121005	Spring Fr. suspension	-	2	-	-	
2	AL171045	Spring Fr. suspension	-	-	2	2	
2	BB171032	Spring front susp - LL	-	-	2	-	
3	AL171058	Locking Pin	-	2	2	2	
4	39251604	Shoulder bolt	-	2	2	2	
5	39105411	Plain washer	-	2	2	2	
6	39078912	Spring washer	-	2	2	2	
7	39029615	Hexagon Nut	-	2	2	2	
8	AL171093	Link-RH assembly	-	1	1	1	
9	AL171091	Link-LH assembly	-	1	1	1	
10	AL171095	Bearing sleeve-Igus bush	-	2	2	2	
11	AB171016	Bush	-	2	2	2	
11	AL171081	Bush link pivot	-	2	2	2	
13	39156421	"O" Ring	-	4	4	4	
14	AL171104	Cap Link pivot	-	4	4	4	Igus bush
15	AL171051	Bolt For Link pivot	-	2	2	2	Link LH & RH
16	39093915	Hex nyloc nut	-	2	2	2	Link LH & RH

BA - COMPACT
BH - COMPACT+ / MAXIMA Z
BB - MAXIMA
AL - CARGO



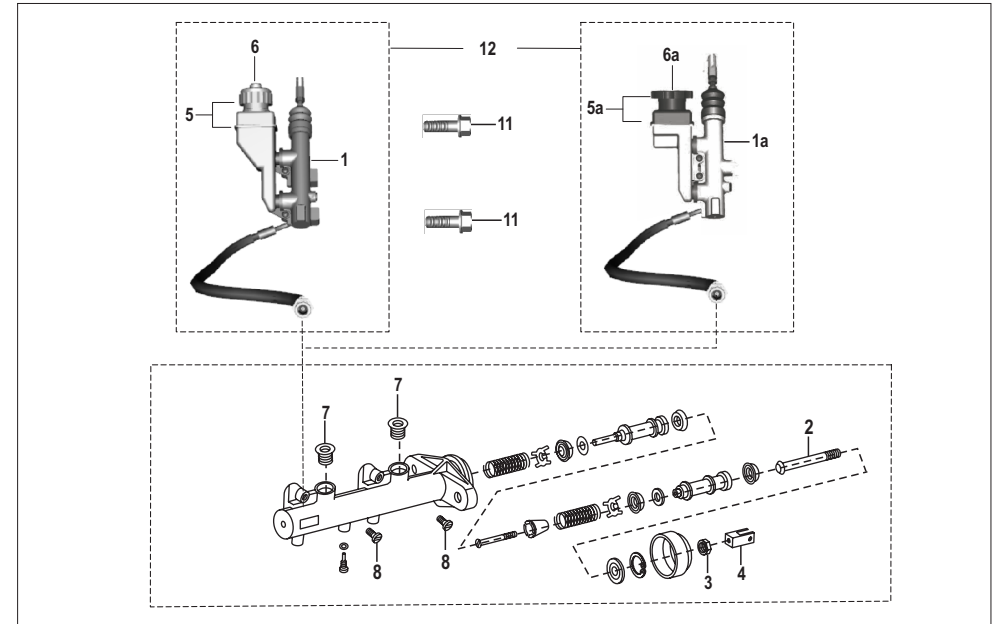
No.	Part No.	Description	BA	BH	BB	AL	Remarks
1	52244040	Front mudguard AA161183	1	-	-	-	
1a	52BB0075	Front mudguard BB161099	-	1	1	1	
2	AB161182	Check plate front mudguard	1	-	-	-	
3	39106901	Bolt hexagon head	3	-	-	-	
4	39081715	Flange nut	3	-	-	-	
5	39182912	Spring washer	1	-	-	-	
6	39242411	Plain washer	1	-	-	-	
7	LAA00014	Hexagon bolt	1	-	-	-	
8	KADB0612	Bolt flanged	-	-	-	4	alt-KADC0612
8	39194404	Bolt - flanged :- small	-	4	4	4	
9	39121111	Plain Washer	-	4	4	4	
10	BF185019	Clip plastic rivet	-	1	1	1	
11	DS161125	Cable Guide	-	1	1	1	
12	BH131817	Spacer Guide Hose	-	1	1	1	
13	24230185	Mudflap	1	-	-	-	
13	BB221015	Mudflap front	-	1	1	1	
14	24161176	Strip for front mudguard flap	1	1	1	1	
15	39019811	Plain Washer	3	3	3	3	
16	39183012	Washer spring Mud flap	3	3	3	3	
17	KAAA0514	Bolt	2	-	-	-	
17	39007104	Hex head screw	-	3	3	3	
18	KCAA0504	Nut hex thick	2	-	-	-	
18	39029115	Hexagon nut-M5 mud flap	-	3	3	3	

BA - COMPACT
BH - COMPACT+ / MAXIMA Z
BB - MAXIMA
AL - CARGO



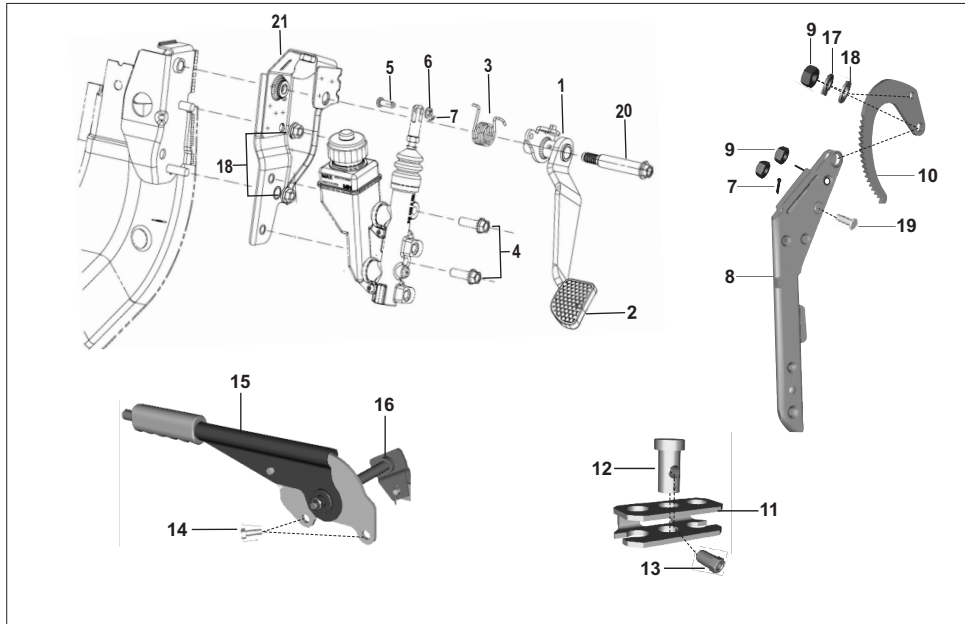
No.	Part No.	Description	BA	BH	BB	AL	Remarks
1	24151234	Hose Rear Circuit-1	1	1	-	-	
1	BB151073	Hose Rear Circuit-1	-	-	1	1	
2	24151221	Assly Brk Pipe Rr.-2	1	-	-	-	
2	BH131802	Assly Brk Pipe Rr.-2	-	1	-	-	
2	AZ131809	Assly brake pipe rear 2 - Z	-	1	-	-	
2	BB151091	Assly brake pipe rear	-	-	1	-	
2	AL151220	Assly Brk Pipe Rr.-2	-	-	-	1	
3	AB151049	Bolt - M10 X 1 :- Banjo, Brake	2	2	2	2	
4	KADD1030	Bolt-flange-tmc mounting	2	2	2	2	
5	21150422	Packing - Copper Washer	10	10	10	10	
6	EC131835	Clip hose	1	1	-	-	
7	AA151039	Hose Brake FR	1	-	-	-	
7	BH131804	Hose Brake FR	-	1	-	-	
7	BB1510 26	Hose Brake FR	-	-	1	1	
8	BG1138 04	Clamp brake pipe	6	6	6	6	
9	24151247	Bracket hose guide	1	-	-	-	

BA - COMPACT
 BH - COMPACT+ / MAXIMA Z
 BB - MAXIMA
 AL - CARGO



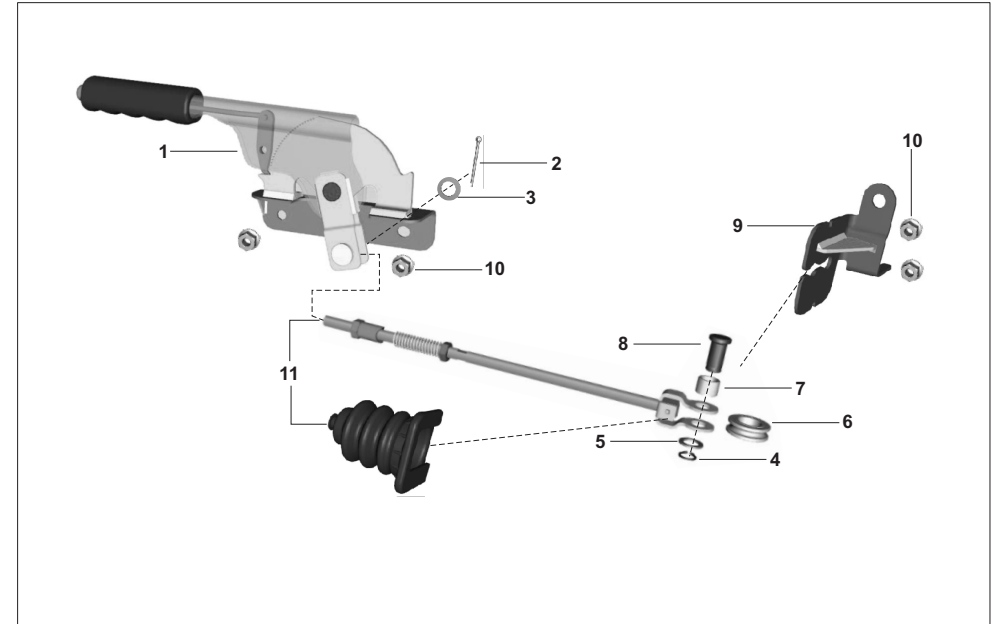
No.	Part No.	Description	BA	BH	BB	AL	Remarks
1	24151275	Tandem Master Cylinder comp	1	1	1	1	
1a	24151291	Cylinder comp. tandem master- Z	-	1	-	-	
2	24151087	Push rod complete	1	1	1	1	
3	24151094	Hex. nut	1	1	1	1	
4	24151090	Fork rod push	1	1	1	1	
5	AB151054	Oil reservoir	1	1	1	1	
5a	24151290	assly brake reservoir - Z	-	1	-	-	
6	AB151072	Cap - oil reservoir	1	1	1	1	
6a	24151289	Cap assy reservoir wo lis - Z	-	1	-	-	
7	24151092	Seal-oil supply port	2	2	2	2	
8	24151093	Screw reservoir mtg.	2	2	2	2	
9	24151097	Major kit	1	1	1	1	Kit-14
10	24151098	Minor Kit	1	1	1	1	Kit-14
11	39138904	Hex bolt TMC mounting	2	2	2	2	
11	KADD1030	Bolt-flange-tmc mounting	2	2	2	2	
12	BH131803	Assly TMC With Hose FL	1	1	-	-	

BA - COMPACT
 BH - COMPACT+ / MAXIMA Z
 BB - MAXIMA
 AL - CARGO



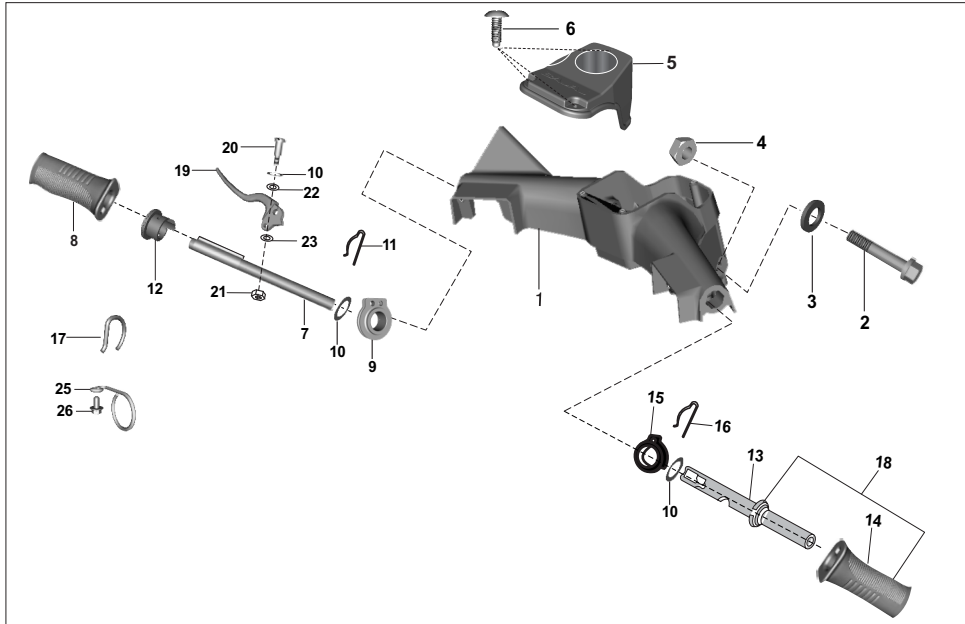
No.	Part No.	Description	BA	BH	BB	AL	Remarks
1	BH161019	Assly brake pedal with pad	1	1	-	-	
1	BB151075	Assly brake pedal with pad	-	-	1	1	
2	24151232	Pad brake pedal	1	1	1	1	
3	BH161027	Spring brake pedal	1	1	1	1	
4	39105515	Hex nut flange M10	2	2	2	2	
5	39170207	Clevis pin with head	1	1	1	1	
6	39019911	Plain washer	1	1	1	1	
7	39014608	Split pin	3	3	3	3	
8	24151061	Hand brake lever assly	1	1	-	-	
9	39069415	Nut - hexagon lock M8 X 1.25	2	2	2	2	
10	22150507	Ratchet	1	1	-	-	
11	24151067	Bracket - rear cable guide	1	1	-	-	
12	24151068	Pin - rear cable guide	1	1	-	-	
13	24151238	Special nut - hand brake	1	1	-	-	
14	39222204	Bolt - flanged -hand brake	-	-	2	2	
15	BB151001	Hand brake lever assly	-	-	1	1	
16	AL151138	Plate assembly - hand brake	-	-	1	1	
17	39182812	Spring washer	2	2	-	-	
18	39020011	Plain washer	2	2	-	-	
19	22151067	Pin for hand brake cable	1	1	-	-	
20	LAD00136	Bolt flanged	1	1	1	1	
21	BH161017	Assly bkt brake pedal mtg FL	1	1	1	1	

BA - COMPACT
 BH - COMPACT+ / MAXIMA Z
 BB - MAXIMA
 AL - CARGO



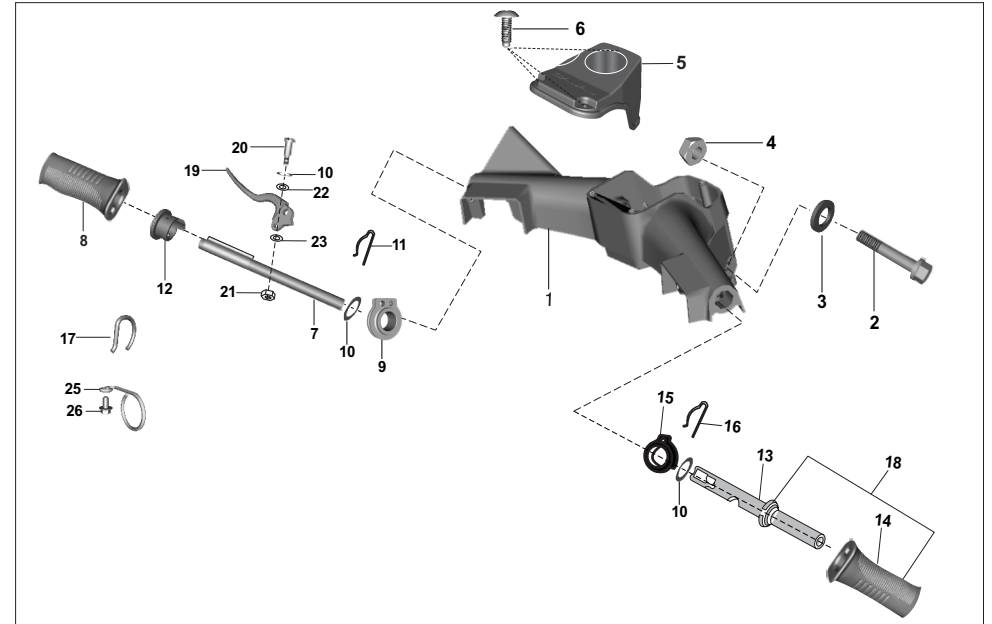
No.	Part No.	Description	BA	BH	BB	AL	Remarks
1	AZ131803	Assly pkb lever with grip	-	1	-	-	
2	KHAA2025	Pin cotter	-	1	-	-	
3	LDA00032	Washer plain-ID	-	1	-	-	
4	KEAA1010	Circlip external	-	1	-	-	
5	LDA00002	Washer plain small	-	1	-	-	
6	BF161137	Pulley	-	1	-	-	
7	BF161175	Bush pkb equalizer	-	1	-	-	
8	BF161138	Pin pivot	-	1	-	-	
9	AZ131805	Bracket pkb equalizer mtg ug	-	1	-	-	
10	KCGA0808	Nut hex flanged	-	4	-	-	
11	AZ131807	Assembly rod front pkb ug	-	1	-	-	

BA - COMPACT
 BH - COMPACT+ / MAXIMA Z
 BB - MAXIMA
 AL - CARGO



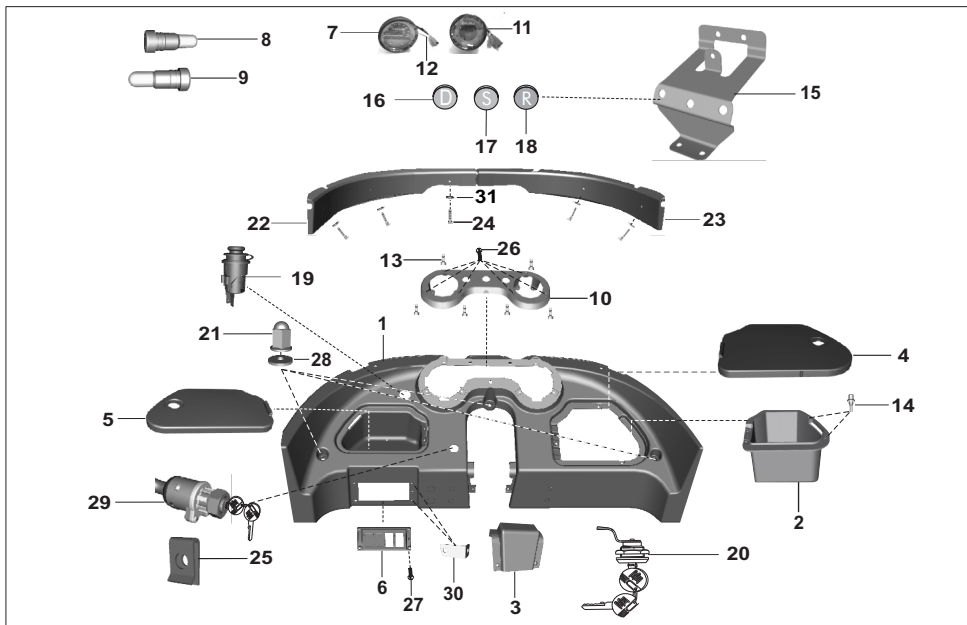
No.	Part No.	Description	BA	BH	BB	AL	Remarks
1	24151274	Handle bar body	1	1	1	1	
2	39137704	Hex. bolt with collar	1	1	1	1	
3	39020111	Plain washer	2	2	2	2	
4	39029615	Hex nut	1	1	1	1	
5	AP161047	Handle bar top cover	1	1	1	1	
6	KBUC0410	Screw Truss M4 X 0.7P	3	-	-	-	
6	LBU00063	Screw trus	-	3	3	3	
7	BA181021	Assly Gear Cntl Tube -HC	1	1	1	1	
8	06191089	Grip Hand gear control -HC	1	1	1	1	
9	24191184	Gear control pulley	1	1	1	1	
10	39094111	Washer plain	2	2	2	2	
11	24191185	Spring clip (Gear control tube)	1	1	1	1	
11	LHC00001	Spring clip	1	1	1	1	
12	BA181022	Indicator Ring Gear Handle Bar- HC	1	1	1	1	
13	24191098	Assly gas ctrl tube with grip	1	1	1	1	
14	06191089	Hand grip acc	1	1	1	1	
15	24191101	Pulley gas control	1	1	1	1	
16	CM191049	Spring clip (ACC tube)	1	1	1	1	
17	30121004	Ring snap	1	1	1	1	
18	24191187	Assembly gas ctrl tube with grip	1	1	1	1	
19	AA191032	Lever clutch	1	1	1	1	
20	24191105	Screw sp crs recessed	1	1	1	1	

BA - COMPACT
 BH - COMPACT+ / MAXIMA Z
 BB - MAXIMA
 AL - CARGO



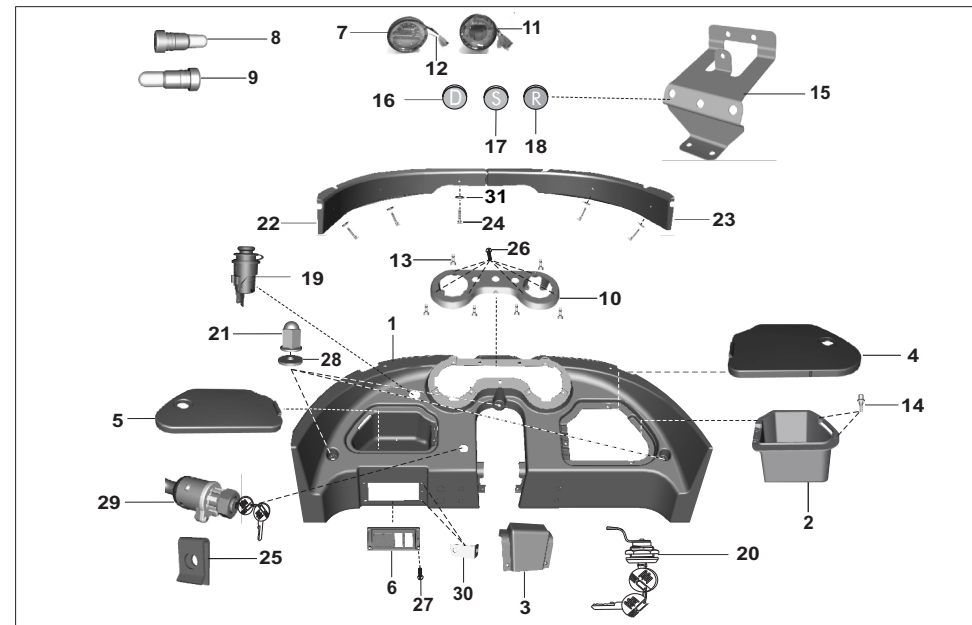
No.	Part No.	Description	BA	BH	BB	AL	Remarks
21	39032615	Nut nyloc m5x0.8	1	1	1	1	
22	03190204	Washer plain	1	1	1	1	
23	03190206	Washer plain	1	1	1	1	
24	01190205	Washer spring	1	1	1	1	
25	24181067	Guide for clutch cable	1	1	1	1	
26	39220804	Bolt flanged M5X10	1	1	1	1	

BA - COMPACT
 BH - COMPACT+ / MAXIMA Z
 BB - MAXIMA
 AL - CARGO



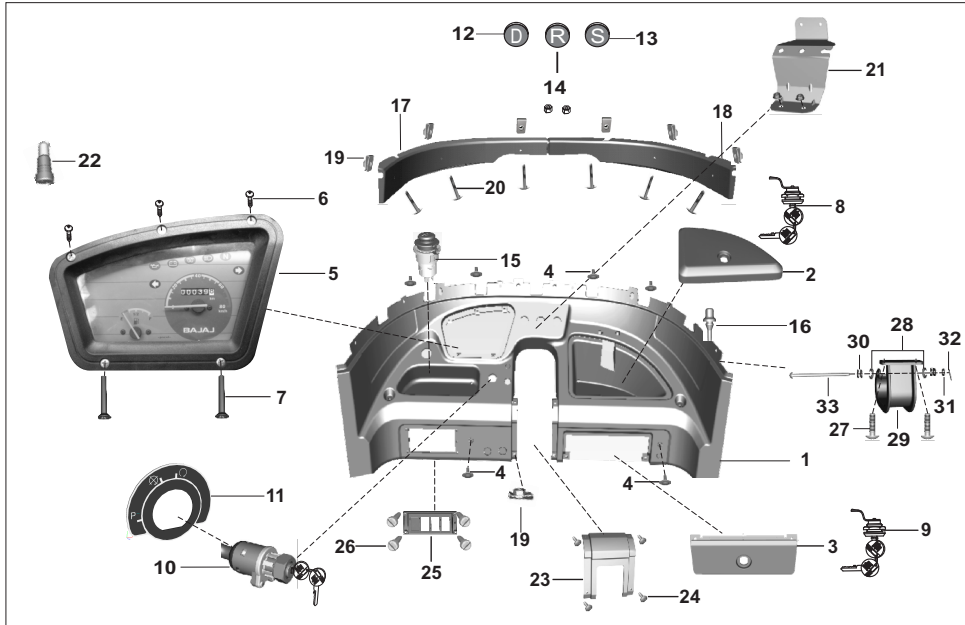
No.	Part No.	Description	BA	BH	BB	AL	Remarks
1	AA161305	Dashboard plastic	1	-	-	-	
1	AA161215	Dashboard Plastic	-	1	-	-	
2	AA161309	Toolbox RH side	1	-	-	-	
2	24161368	Toolbox right side (plastic)	-	1	-	-	
3	AA161310	Cover middle portion	1	-	-	-	
3	24161371	Cover middle portion (plastic)	-	1	-	-	
4	AA161307	Lid tool box RH	1	-	-	-	
4	AL161503	Lid tool box RH (plastic)	-	1	-	-	
5	AA161308	Lid tool box LH	1	-	-	-	
5	AL161502	Lid tool box LH (plastic)	-	1	-	-	
6	24161373	Cover for switches	1	1	-	-	
6	24161492	Cover For Switches 3 slot-HC	1	1	-	-	
7	BA201186	Speedometer with lamp	1	-	-	-	
7	AZ402403	Speedometer assly of o.85 ratio	-	1	-	-	
8	AA201341	Lamp :- 12v - 1.7w, without cap	5	5	-	-	
9	DL191020	Lamp :- 12v - 3w, without cap	1	1	-	-	
9	CM201054	Lamp :- 12v - 2w, without cap	1	1	-	-	
10	BA161202	Cover speedometer	1	-	-	-	
10	BH181203	Cover speedometer	-	1	-	-	
11	BA201195	Assembly indicator RH	1	1	-	-	
12	BH402602	Harness wiring for ind RH pod	1	1	-	-	
13	39245401	Screw - spm & RH pod mtg	6	6	-	-	alt-39152301

BA - COMPACT
 BH - COMPACT+ / MAXIMA Z
 BB - MAXIMA
 AL - CARGO



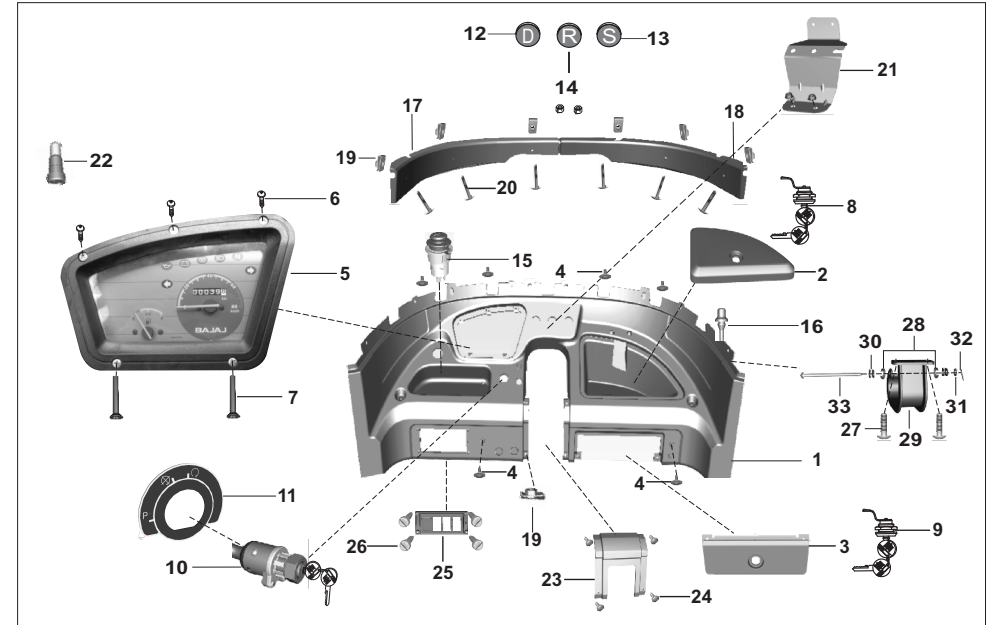
No.	Part No.	Description	BA	BH	BB	AL	Remarks
14	24230198	Pad - Rubber	2	2	-	-	
15	AA161225	Bracket control mounting	1	1	-	-	
16	AL191039	Knob-cable decomp. Fix end	1	1	-	-	
17	BH161226	Knob - stop cable	1	1	-	-	
18	BH161225	Knob reverse	1	1	-	-	
19	AL201100	Mobile charger	1	1	-	-	
20	AL161362	Lid lock with key	1	1	-	-	
21	39170415	Domed cap nut M6- dashboard	3	3	-	-	
22	AA161218	Trim upper small LH	1	1	-	-	
22	AA161327	Trim upper small LH	1	-	-	-	
23	AA161219	Trim upper small RH	1	1	-	-	
23	AA161328	Trim upper small RH	1	-	-	-	
24	KBBA0525	Screw pan cross M5x28	5	5	-	-	
25	CE181015	Nut clip	15	15	-	-	
26	59010007	Screw cross countersunk	6	6	-	-	
27	39152301	Screw pan cross M5	4	4	-	-	
28	39021111	Washer plain	3	3	-	-	
29	36BA4013	Ignition switch w/o starter	1	1	-	-	
30	AA161290	Bracket Harness Clamp	2	2	-	-	
31	KDDB0512	Plain washer -trim	5	5	-	-	

BA - COMPACT
 BH - COMPACT+ / MAXIMA Z
 BB - MAXIMA
 AL - CARGO



No.	Part No.	Description	BA	BH	BB	AL	Remarks
1	BB161124	Assembly dashboard complete fl	-	-	1	1	
1	BB161123	Dashboard plastic	-	-	1	1	
2	AL161382	Lid glove box	-	-	1	1	
3	AL161390	Assembly lid stereo	-	-	1	1	
4	LBU00051	Screw truss WP-M5X1XL 16XBright	-	-	6	6	
5	BB201100	Cluster instrument	-	-	1	1	
5	BB201120	Cluster instrument - LL	-	-	1	-	
6	AL191028	Screw M4	-	-	3	3	
7	KBCD0430	Screw crs res csk m4	-	-	2	2	
8	36AL0015	Glove box lock with key kit	-	-	1	1	Kit-28
9	36AL0016	Stero box lock with key kit	-	-	1	1	Kit-29
10	36BA4013	Ignition switch w/o starter with key	-	-	1	1	
11	AL201078	Label parking off on	-	-	1	1	
12	AL191039	Knob-D	-	-	1	1	
13	BH161226	Knob S	-	-	1	1	
14	BH161225	Knob R	-	-	1	1	
15	AL201100	Mobile charger	-	-	1	1	
16	24230198	Pad - rubber	-	-	2	2	
17	BB161101	Trim upper large RH	-	-	1	1	
18	BB161100	Trim upper large LH	-	-	1	1	
19	35161060	Nut clip	-	-	10	10	
20	LBU00047	Screw pan cross M5x28	-	-	6	6	

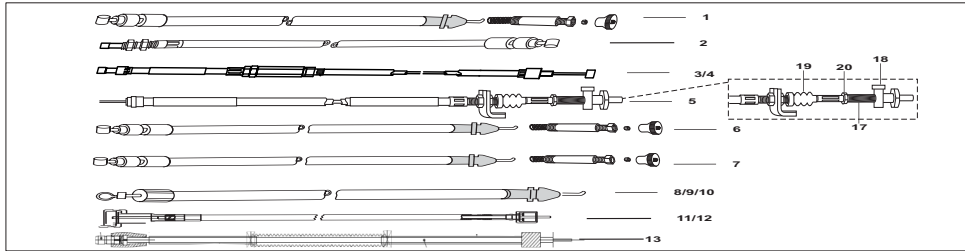
BA - COMPACT
 BH - COMPACT+ / MAXIMA Z
 BB - MAXIMA
 AL - CARGO



No.	Part No.	Description	BA	BH	BB	AL	Remarks
21	BB161130	Bracket knob mounting	-	-	1	1	
22	30201084	Lamp 12V 2W	-	-	9	9	
23	AL161381	Cover steering	-	-	1	1	
24	39190701	Mushroom head screw	-	-	6	6	
25	AN161086	Cover switch with 3 slots	-	-	1	1	
26	39066301	Screw slotted cheese head	-	-	2	2	
27	39186002	Screw cross recessed pan head TA	-	-	2	2	
28	39096011	Washer curved spring	-	-	3	3	
29	AL161184	Hinge glove box LID	-	-	1	1	
30	AL161185	Clip glove box LID	-	-	2	2	
31	39217924	Washer,5.1X10X1.0	-	-	1	1	
32	39015108	Pin split	-	-	1	1	
33	AL161186	Pin dashboard hinge	-	-	1	1	

BA - COMPACT
 BH - COMPACT+ / MAXIMA Z
 BB - MAXIMA
 AL - CARGO

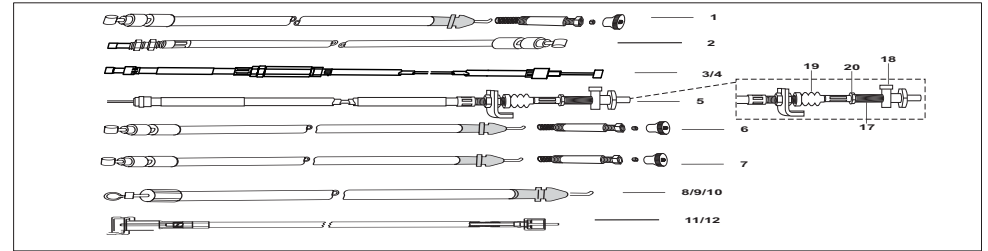
PLATE NO. 58 : CONTROL CABLES



No.	Part No.	Description	BA	BH	BB	AL	Remarks
1	BA191090	Cable Assly Decomp.	1	-	-	-	19.10.13
1	BH161224	Cable Assly Decomp.	-	1	1	-	
1	BH161232	Cable assembly decomp - Z	-	1	-	-	
1	AL191065	Cable decomp cargo	-	-	-	1	
2	BA191084	Cable accelerator fixed end	1	-	-	-	
2	BH161229	Cable accelerator fixed end	-	1	-	-	
2	BH161234	Cable accelerator complete - Z	-	1	-	-	
2	BB191038	Cable accelerator fixed end	-	-	1	-	
2	AL191062	Cable accelerator complete	-	-	-	1	
3	BB191054	Gear cable com. White	1	-	1	-	
3	BH161241	Gear cable com White HC	-	1	-	-	
3	AL191077	Cable gear white	-	-	-	1	
4	BB191055	Gear cable comp-Black -HC	1	-	1	-	
4	BH161242	Gear cable comp-Black -HC	-	1	-	-	
4	AL191076	Cable gear black	-	-	-	1	
5	BA191092	Clutch cable HC	1	-	-	-	
5	BH161211	Clutch cable HC	-	1	-	-	
5	BB191051	Clutch cable HC	-	-	1	-	
5	AL191070	Cable hand clutch	-	-	-	1	
6	BA191097	Cable assembly eng stop	1	-	-	-	
6	BH161223	Stop cable	-	1	1	-	
6	BH161235	Cable eng stop complete - Z	-	1	-	-	
6	AL191063	Cable assembly eng stop	-	-	-	1	
7	BA191093	Reverse cable HC	1	-	-	-	
7	BH161216	Reverse cable HC	-	1	1	-	
7	BH161237	Cable reverse gear complete - Z	-	1	-	-	
7	AL191060	Cable reverse complete	-	-	-	1	
8	BG131802	Cable assly - hand brake FR	1	1	-	-	

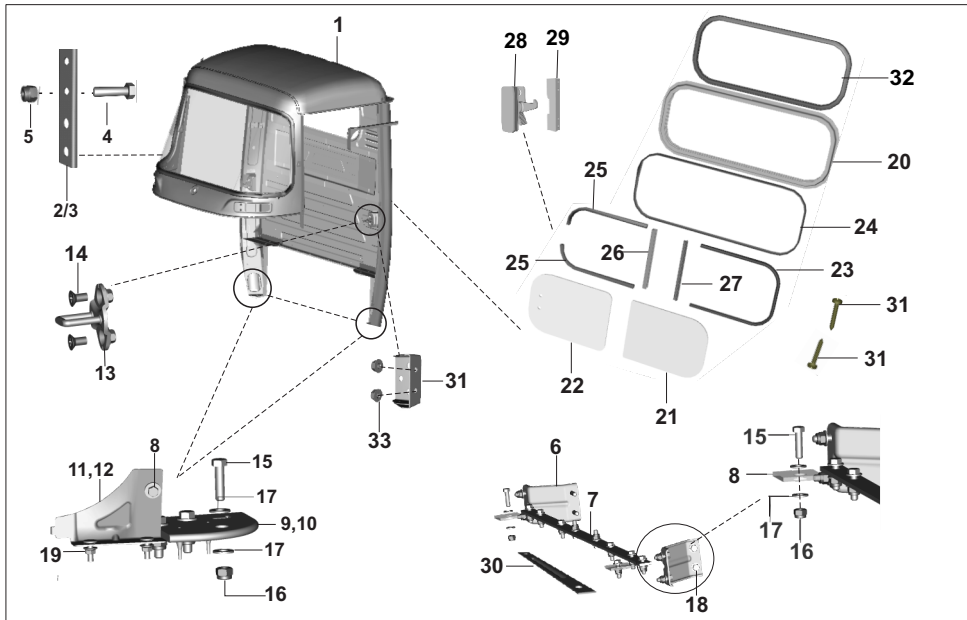
BA - COMPACT
BH - COMPACT+ / MAXIMA Z
BB - MAXIMA
AL - CARGO

PLATE NO. 58 : CONTROL CABLES



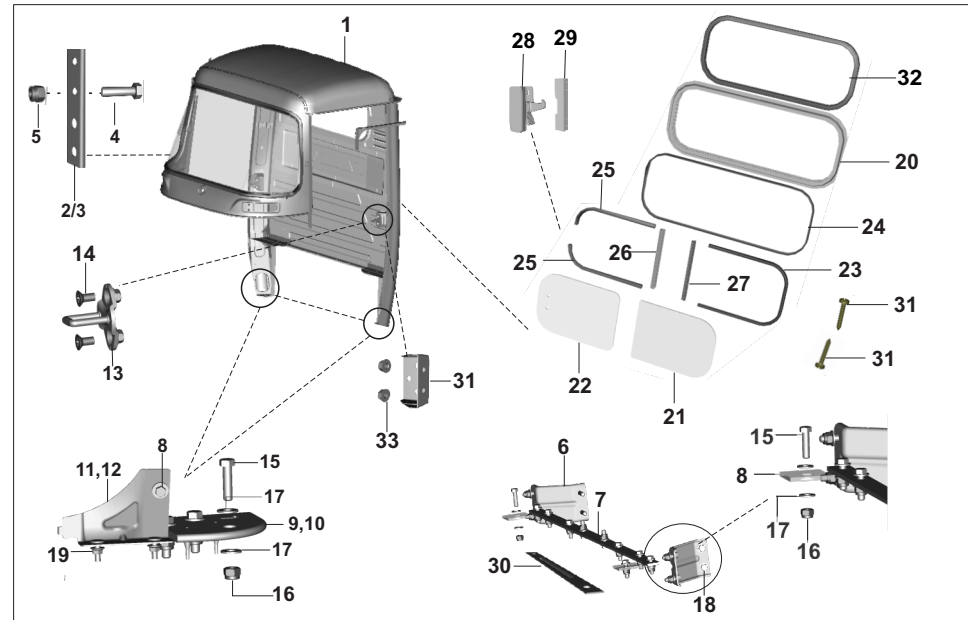
No.	Part No.	Description	BA	BH	BB	AL	Remarks
9	AA151053	Cable assly H. brake Rear LH	1	-	-	-	
9	BH161214	Cable assly H. brake Rear LH	-	1	-	-	
9	AN151003	Cable assly H. brake Rear LH	-	-	1	-	
9	AL151222	Cable hand brake lh cargo	-	-	-	1	
10	AA151052	Cable assly H. brake rear RH	1	-	-	-	
10	BH161215	Cable assly H. brake rear RH	-	1	-	-	
10	AN151004	Cable assly H. brake rear RH	-	-	1	-	
10	AL151223	Cable hand brake rh cargo	-	-	-	1	
11	BA191085	Cable assly speedometer	1	-	-	-	
11	BH161202	Cable assly speedometer	-	1	-	-	
11	BH161236	Cable speedometer complete - Z	-	1	-	-	
11	BB191059	Cable assly speedometer	-	-	1	-	
11	AL191082	Cable assly speedometer	-	-	-	1	
12	BA191086	Cable Inner speedometer	1	-	-	-	
12	BH161203	Cable inner speedometer	-	1	-	-	
12	BH161240	Cable inner speedometer - Z	-	1	-	-	
12	BB191058	Cable inner speedometer	-	-	1	-	
12	AL191081	Cable inner speedometer	-	-	-	1	
13	AA201344	Cable for faremeter lamp-refresh	1	1	1	-	
14	AA101747	Seal rubber-faremeter	1	1	1	1	
15	39079415	Hexagon nut-m10x1.25	1	-	1	1	
16	BA132019	Pin clutch lever	1	1	1	1	
17	BA191032	Spring clutch adjusting	1	1	1	1	
18	BA191031	Nut sp clutch adjusting	1	1	1	1	
19	24191197	Boot rubber for clutch cable	1	1	1	1	
20	KCAA0605	Nut hex thick clutch cable	1	1	1	-	
21	KDAA1222	Washer_plain_small reverse cable	1	1	1	1	
22	BH161221	Nut hexagon reverse cable	1	1	1	1	
23	24191180	Sleeve for cables	1	1	-	-	
24	24191207	Clamp cable	1	1	-	-	
25	KADA0612	Bolt flanged	1	1	1	1	
26	24191120	Guide for cable	1	-	1	1	

BA - COMPACT
BH - COMPACT+ / MAXIMA Z
BB - MAXIMA
AL - CARGO



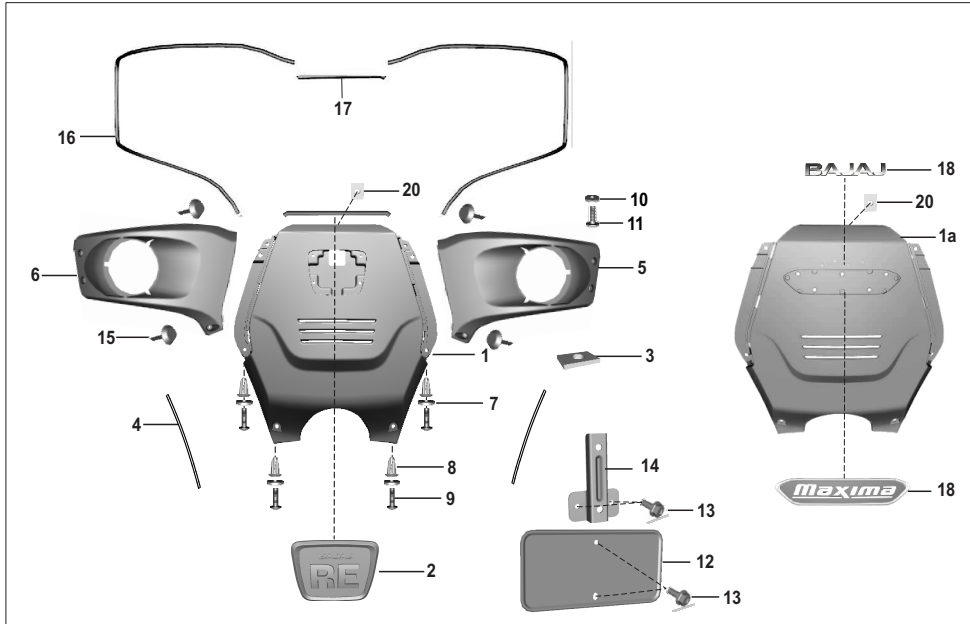
No.	Part No.	Description	BA	BH	BB	AL	Remarks
1	52AL0393	Assembly cabin top - AL241419	-	-	-	1	ED
2	AL241445	Joint plate L	-	-	-	1	
3	AL241446	Joint plate RH	-	-	-	1	
4	KAAA0518	Bolt	-	-	-	4	
5	KCHA0507	Nyloc nut	-	-	-	4	
6	AL161661	Panel connecting	-	-	-	2	
7	AL241578	Packing upper cabin	-	-	-	1	
8	AL241697	Packing cabin	-	-	-	2	
9	AL241577	Rubber packing LH	-	-	-	1	
10	AL241679	Rubber packing RH	-	-	-	1	
11	AL161705	Extension panel sill outer LH	-	-	-	1	
12	AL161706	Extension panel sill outer RH	-	-	-	1	
13	AL241344	Latch striker door	-	-	-	2	
14	KBCA0816	Screw csk - cross	-	-	-	4	
15	KAAA0830	Bolt	-	-	-	16	
16	KCHA0809	Nut nyloc	-	-	-	20	
17	KDBB0818	Washer plain	-	-	-	44	
18	KAAA0825	Bolt	-	-	-	8	
19	39248415	Flange nut	-	-	-	4	
20	AL241785	Frame back window	-	-	-	1	
21	AL241786	Glass fixed back window	-	-	-	1	
22	AL241787	Glass sliding back window	-	-	-	1	

BA - COMPACT
BH - COMPACT+ / MAXIMA Z
BB - MAXIMA
AL - CARGO



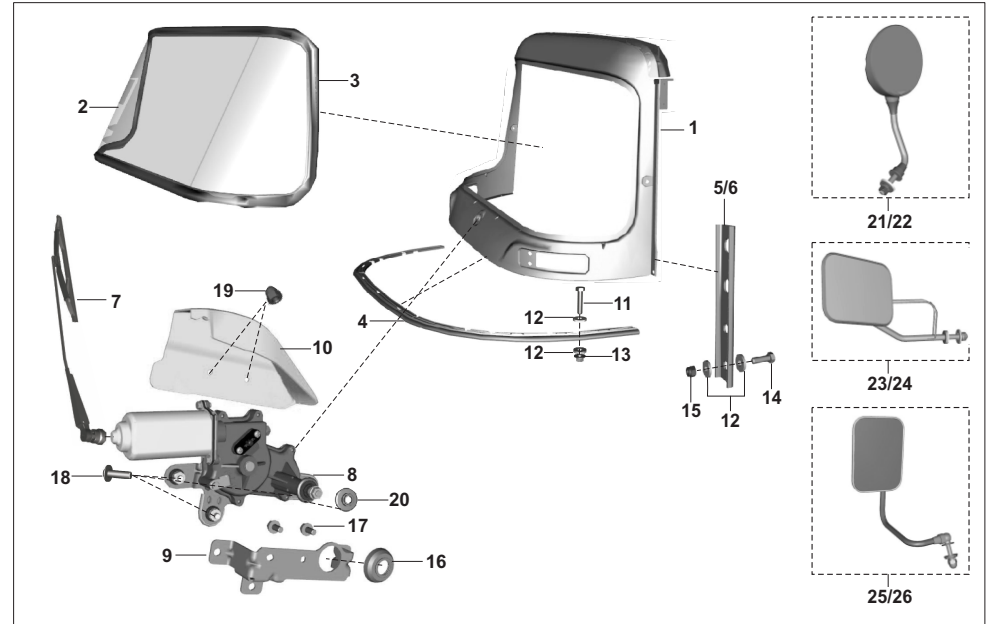
No.	Part No.	Description	BA	BH	BB	AL	Remarks
23	AL 241788	Beading fixed glass back	-	-	-	1	
24	AL241789	Beading sliding glass back	-	-	-	1	
25	AL241790	Beading frame back window	-	-	-	2	
26	AL241791	Channel dividing back window	-	-	-	1	
27	AL241792	Beading channel back window	-	-	-	1	
28	AL241811	Assly latch-sliding glass window	-	-	-	1	
29	AL241817	Catch plate - sliding glass latch	-	-	-	1	
30	AL161744	Plate nut cabin MTG	-	-	-	4	
31	AL241761	Bracket striker MTG	-	-	-	4	
32	AL241796	Beading fixed glass	-	-	-	2	
33	KCGF0808	Nut hex flanged	-	-	-	4	

BA - COMPACT
BH - COMPACT+ / MAXIMA Z
BB - MAXIMA
AL - CARGO



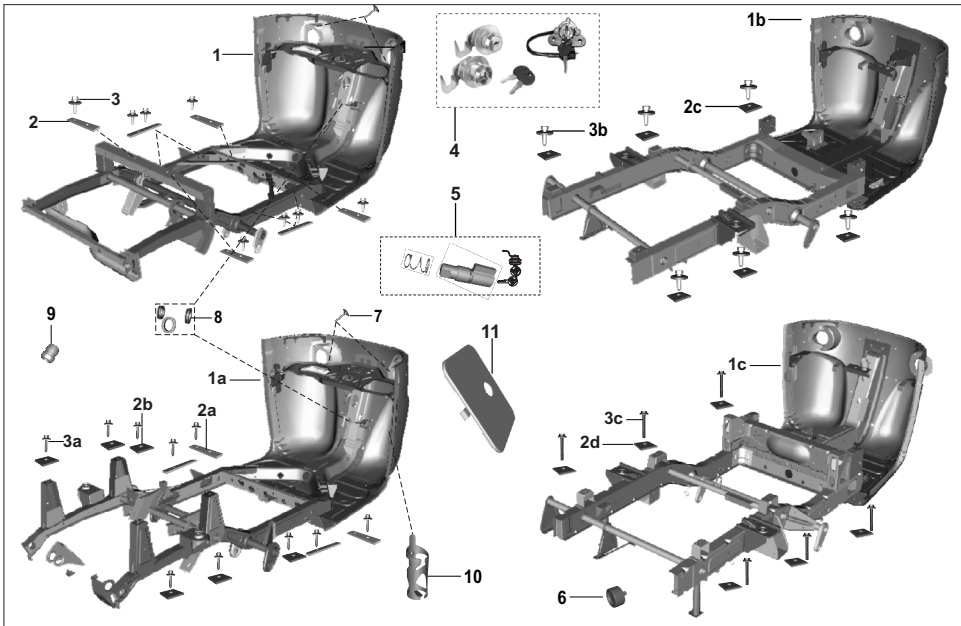
No.	Part No.	Description	BA	BH	BB	AL	Remarks
1	24165116	Assembly steering cover	1	1	1	1	
1a	AZ185010	Assembly cover steering - Z	-	1	-	-	
1a	AZ185008	Cover steering - Z	-	1	-	-	
2	BG233002	Emblem bajaj re for scudo	1	1	1	1	
3	24165214	Grommet Steering Cover	1	1	1	1	
4	AA161270	Beading st. Cover lower	2	2	2	2	
5	AA161190	Housing headlamp LH	1	1	-	-	
5	BB161096	Housing headlamp LH	-	-	1	1	
6	AA161191	Housing headlamp RH	1	1	-	-	
6	BB161097	Housing headlamp RH	-	-	1	1	
7	39045411	Washer - Plain	10	10	10	10	
8	AL161236	Plug For blinker housing	10	10	10	10	
9	59010005	Screw round head	10	10	10	10	
10	39045411	Washer - plain	1	1	1	1	
11	39190701	Mushroom head screw	-	2	2	2	
12	22161221	Plate -number	1	1	1	1	
12	AL161152	Plate number for re gc front	-	-	1	1	
13	KADD0612	Bolt flange	4	-	-	-	
13	39168004	Bolt flange	-	4	4	4	
14	24165132	Bracket FR number plate mtg	1	1	1	1	
15	BH111088	Grommet shield headlamp bkt	4	4	4	4	
16	AA161268	Beading housing h.l.	2	2	2	2	
17	AA161269	Beading st.cover upper	1	1	1	1	
18	AZ233008	Emblem bajaj - Z	-	1	-	-	
19	AZ233009	Emblem maxima - Z	-	1	-	-	
20	24165214	Grommet steering cover refl	1	1	1	1	

BA - COMPACT
BH - COMPACT+ / MAXIMA Z
BB - MAXIMA
AL - CARGO



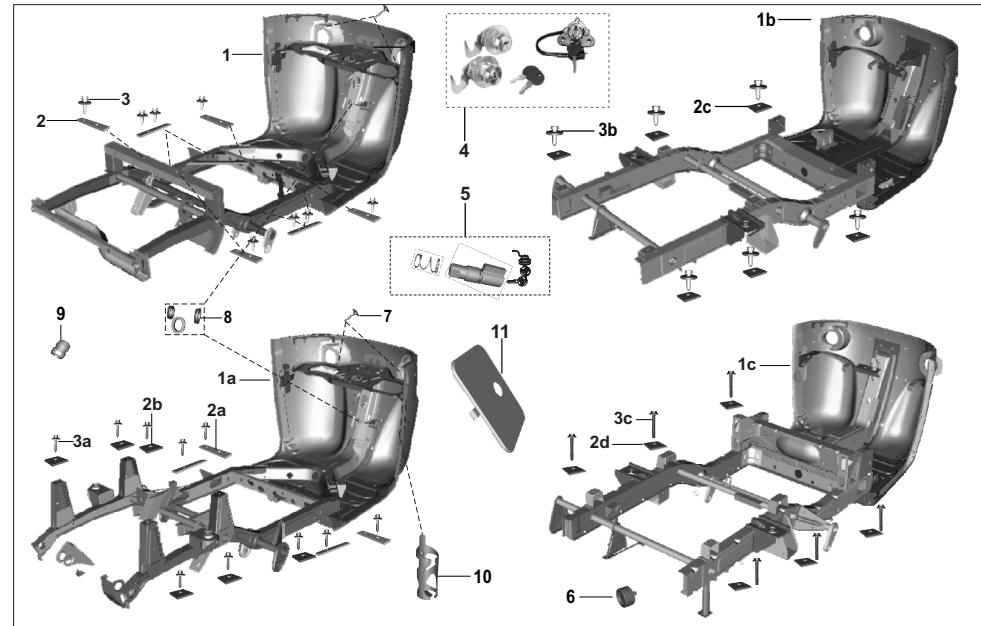
No.	Part No.	Description	BA	BH	BB	AL	Remarks
1	52240645	Windshield Assly	1	1	1	-	
2	BH184000	Glass green windshield one piece	1	1	1	1	
3	AA 231239	Beading one piece w/s glass	1	1	1	1	
4	24231641	Packing for shield & windshield	1	1	1	1	
5	24231615	Joint plate LH	1	1	1	-	
6	24231616	Joint plate RH	1	1	1	-	
7	AL241023	Wiper assly	1	1	1	1	
8	AA201263	Wiper Motor	1	1	1	1	
9	24231625	Bracket wiper motor mounting	1	1	1	1	
10	AA231223	cover wiper motor black	1	1	1	1	
11	KAAA0525	Bolt	11	11	11	11	
12	39025811	Plain washer	32	32	32	32	
13	KCGA0505	Nut hex flanged	11	11	11	11	
14	KAAA0516	Bolt hex head- KAAA0518	8	8	8	-	
15	39032615	Flanged nut-KCHA0507	8	8	8	-	
16	BH111071	Cap for wiper motor	1	1	1	1	
17	KADA0512	Bolt flanged	2	2	2	2	
18	LAC00008	Bolt socket - special head M6X1	3	3	3	3	
19	24231475	nut dome-M5-cov.wiper motor	2	2	2	2	
20	24201525	Grommet wiper motor big	1	1	1	1	
21	AA221006	Mirror assly RH	1	-	-	-	
22	AA221005	Mirror assly LH	1	-	-	-	
23	BH184601	Mirror assly RH	-	1	-	-	
24	BH184602	Mirror assly LH	-	1	-	-	
25	BB221018	Mirror maxima RH	-	-	1	1	
26	BB221017	Mirror maxima LH	-	-	1	1	

BA - COMPACT
BH - COMPACT+ / MAXIMA Z
BB - MAXIMA
AL - CARGO



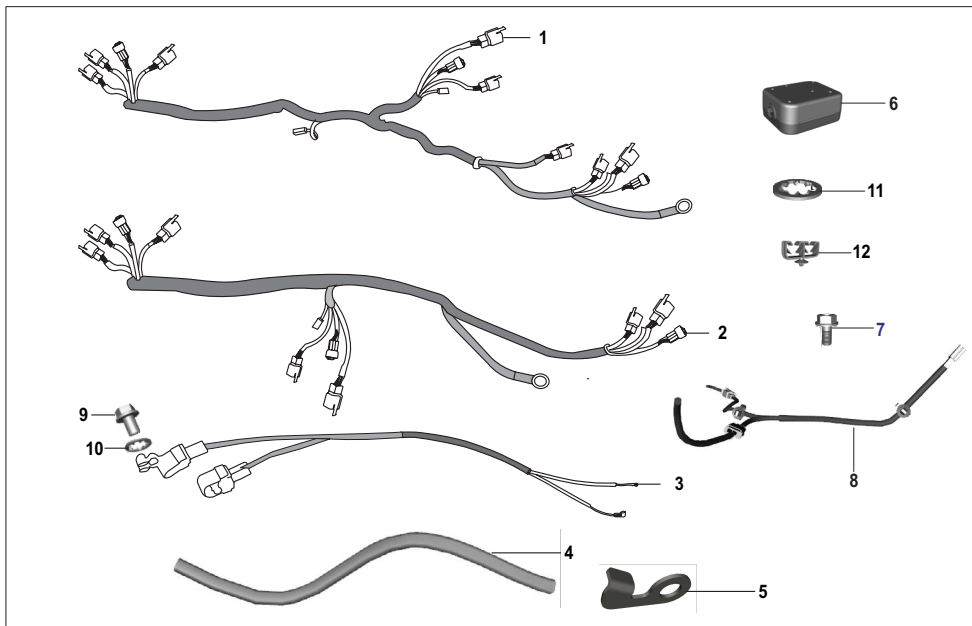
No.	Part No.	Description	BA	BH	BB	AL	Remarks
1	52BA0388	Assembly bare chassis- Refresh	1	-	-	-	(BA161196) ED
1a	52BH0098	Frame Assembly complete	-	1	-	-	(BH111202) ED
1a	52BH0207	Assly bare chassis comp ug - Z	-	1	-	-	(BH111205) ED
1b	52BB0148	Frame assembly complete	-	-	1	-	(BB161284) ED
1c	52AL0389	Frame bare chassis	-	-	-	1	(AL161650) ED
2	24231726	Packing for body	8	-	-	-	
2a	24231336	Packing chassis & tray - frame	-	4	-	-	
2b	AL161392	Packing chassis & tray - frame	-	6	-	-	
2c	AL161069	Packing chassis & tray - frame	-	-	6	-	
2d	AL241769	Packing ballata	-	-	-	6	
3	AA231245	Bolt combination	8	-	-	-	
3a	BH211077	Bolt hex with flange M8 X 1.25	-	10	-	-	
3b	24231666	Bolt combination	-	-	6	-	
3c	AL241784	Bolt combination tray	-	-	-	6	
4	BA250004	Lock set	1	-	-	-	
4	BH232604	Lock set	-	1	-	-	
4	BH232605	Lock set UG - Z	-	1	-	-	
4	BB181011	Lock set	-	-	1	-	
4	BB181038	Set lock - LL	-	-	1	-	
4	AL181041	Lock set	-	-	-	1	
5	36BB0029	Lock assly steering w/o key kit	1	1	1	1	Kit-48

BA - COMPACT
 BH - COMPACT+ / MAXIMA Z
 BB - MAXIMA
 AL - CARGO



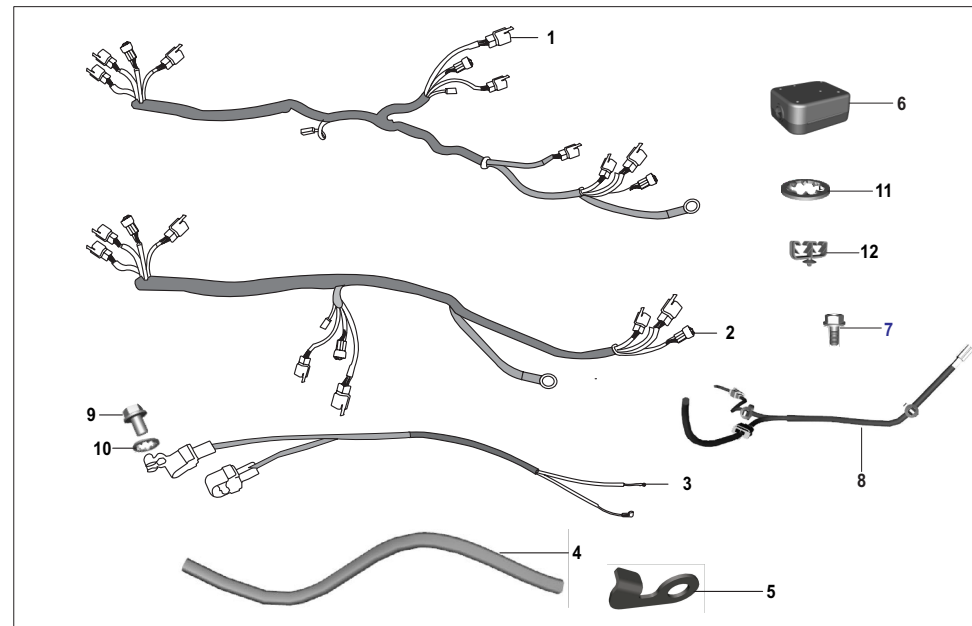
No.	Part No.	Description	BA	BH	BB	AL	Remarks
5	36244042	Lock assly steering w/o key kit	1	1	1	1	Kit-21
6	AL241767	Rubber stopper tray rear door	-	-	-	2	
7	BH111116	Grommet headlamp mounting bkt FL	4	4	-	-	
8	24165230	Grommet upper part	3	3	-	-	
9	39107601	Grommet	-	2	-	-	
10	24161446	Holder water bottle	-	1	-	-	
11	BB161048	Cover lockable member	-	-	1	1	

BA - COMPACT
 BH - COMPACT+ / MAXIMA Z
 BB - MAXIMA
 AL - CARGO



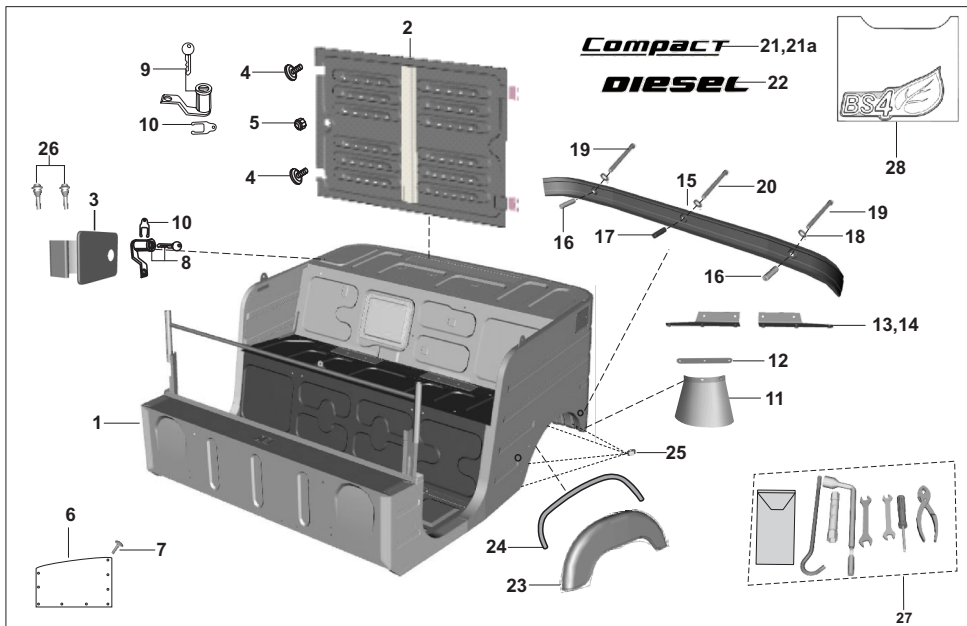
No.	Part No.	Description	BA	BH	BB	AL	Remarks
1	BA201196	Harness front re compact	1	-	-	-	
1	BH402236	Harness wiring-FR	-	1	-	-	
1	BH402242	Harness wiring front - Z	-	1	-	-	
1	BB201101	Harness wiring-FR	-	-	1	1	
1	BB201113	Harness front - LL	-	-	1	-	
2	BA201203	Harness wiring rear	1	-	-	-	
2	BH402237	Harness rear re compact+diesel	-	1	-	-	
2	BH402235	Harness wiring rear UG - Z	-	1	-	-	
2	BB201107	Harness wiring rear maxima	-	-	1	-	
2	AL201146	Harness wiring rear cargo	-	-	-	1	
3	BA201201	Cable battery	1	-	-	-	
3	BH402239	Cable battery Compact + diesel	-	1	-	-	
3	BH402243	Cable battery - Z	-	1	-	-	
3	BB201103	Cable assembly battery 32 AH	-	-	1	-	
3	AL201145	Cable battery	-	-	-	1	
4	BB201106	Cable Earth	1	1	1	1	
5	BB103398	Bracket earthing cable	-	-	1	1	
6	BH181204	Coupler box	1	1	-	-	
7	KADA0614	Bolt flanged	2	2	2	-	
8	BA201197	Harness body-refresh	1	-	-	-	
9	KADA0812	Bolt flanged	2	2	2	2	
10	LDF00001	Lock Washer Toothed	1	1	1	1	

BA - COMPACT
 BH - COMPACT+ / MAXIMA Z
 BB - MAXIMA
 AL - CARGO



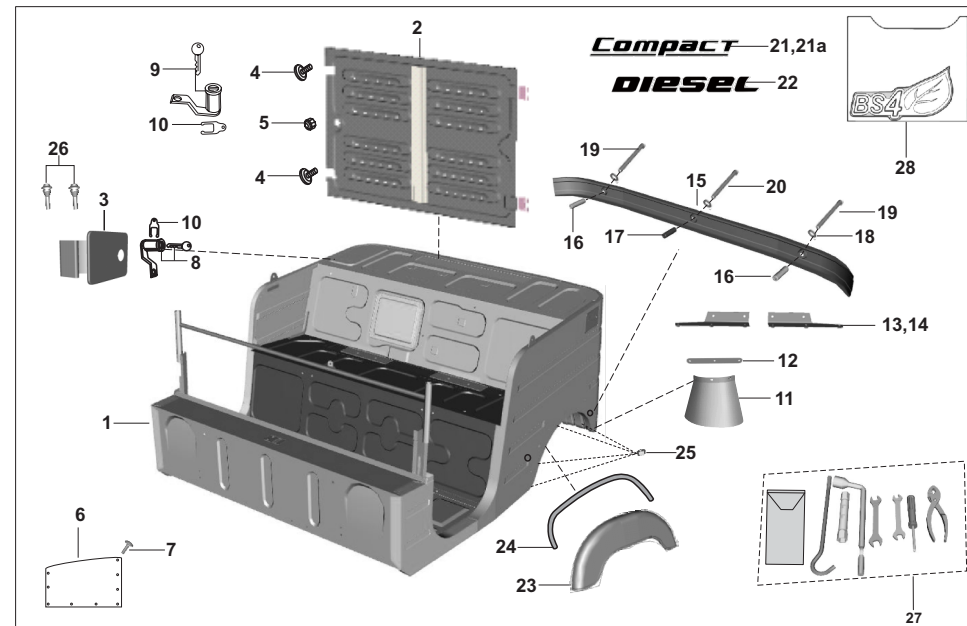
No.	Part No.	Description	BA	BH	BB	AL	Remarks
11	LDF00002	Washer toothed	-	1	1	1	
12	AL201127	Clip plastic twin dia 17	-	1	1	1	

BA - COMPACT
 BH - COMPACT+ / MAXIMA Z
 BB - MAXIMA
 AL - CARGO



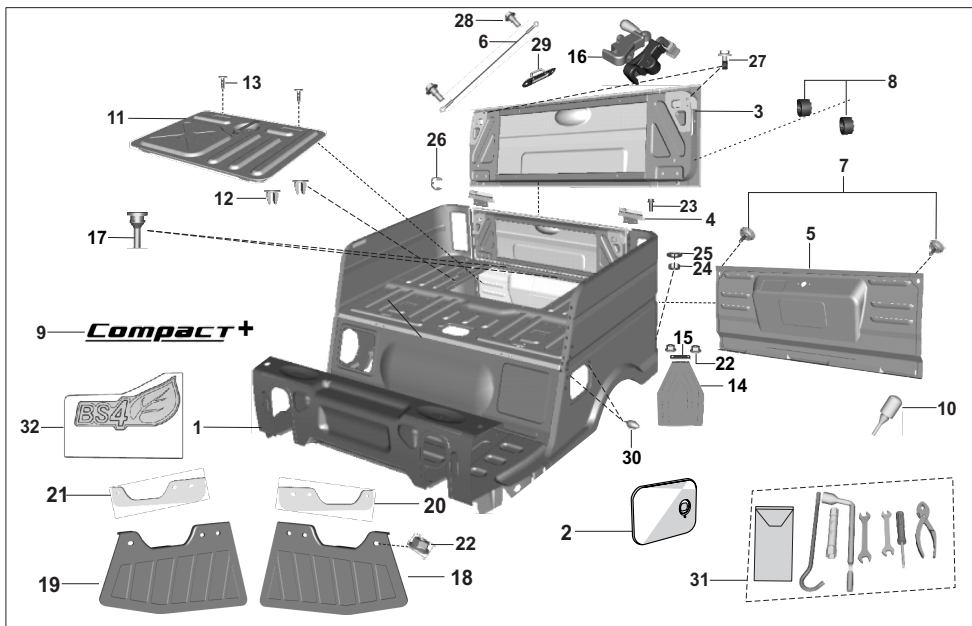
No.	Part No.	Description	BA	BH	BB	AL	Remarks
1	52BA 0386	Body assy complete- Refresh	1	-	-	-	
2	52BA0283	Door assy side filling BA231133	1	-	-	-	
3	52AA0501	Door assy Rear Mesh- AA231307	1	-	-	-	
4	24231245	Knob for rear door	2	-	-	-	
5	24230176	Knob complete for door	1	-	-	-	
6	24231499	Cover side	2	-	-	-	
7	24231630	Screw self drill BH 3.5X16X15	10	-	-	-	
8	36244044	Lock fuel filling door with key	1	-	-	-	Kit-22
9	36244024	Lock for rear door- kit no	1	-	-	-	Kit-19
10	01160717	Lock clip	2	-	-	-	
11	24230185	Mudflap rear	2	-	-	-	
12	24231157	Stripe re mudguard flap	2	-	-	-	
13	24231090	Angle right hand rear mud flap	1	-	-	-	
14	24231091	Angle left hand rear mud flap	1	-	-	-	
15	52240760	Bumper assy ed coated	1	-	-	-	
16	24165274	Sleeve bumper mtg side FL	2	-	-	-	
17	24165273	Sleeve bumper mtg mid FL	1	-	-	-	
18	KDAB1018	Washer_plain_small	3	-	-	-	
19	KAAG0885	Bolt	2	-	-	-	
20	KAAG0870	Bolt	1	-	-	-	
21	24221049	Label compact white- Refresh	1	-	-	-	
21a	24221050	Label compact black- Refresh	1	-	-	-	

BA - COMPACT
 BH - COMPACT+ / MAXIMA Z
 BB - MAXIMA
 AL - CARGO



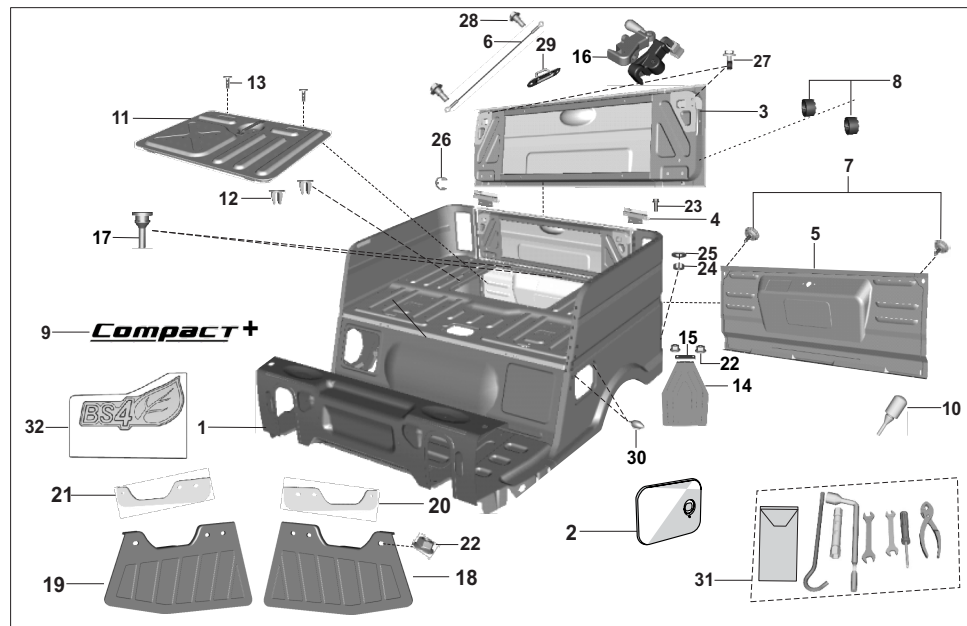
No.	Part No.	Description	BA	BH	BB	AL	Remarks
22	BA220003	Emblem diesel	1	-	-	-	
23	52210040	Mudguard assembly rear	1	-	-	-	
24	25231064	Beading for mudguard	1	-	-	-	
25	KCAD0504	Nut hex thick- mudguard	8	-	-	-	
26	AA231126	Damper for door side filling	2	-	-	-	
27	BA220006	Tool kit complete	1	-	-	-	
28	24231876	Lable BSIV Compact	1	-	-	-	

BA - COMPACT
 BH - COMPACT+ / MAXIMA Z
 BB - MAXIMA
 AL - CARGO



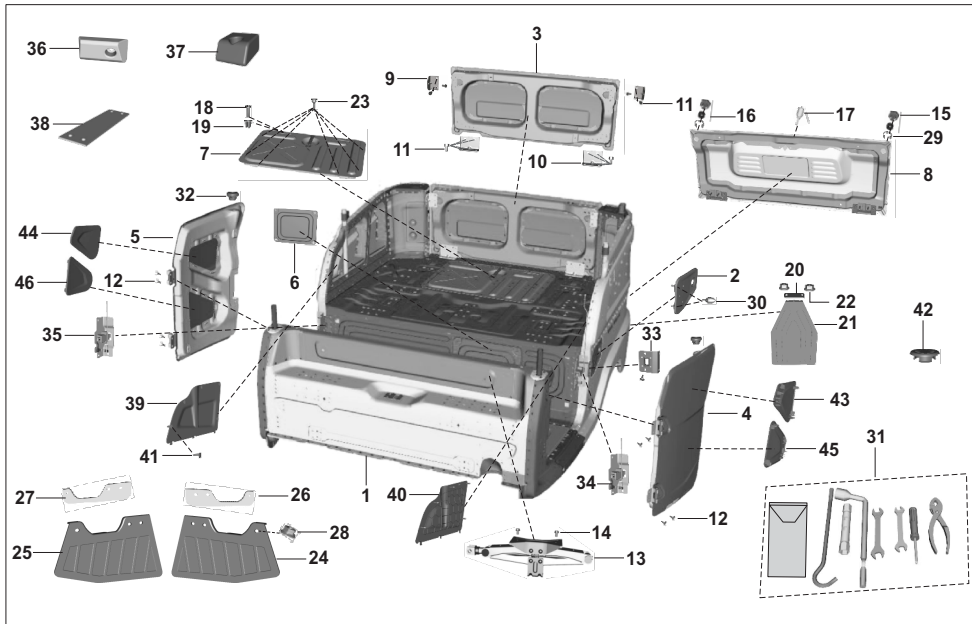
No.	Part No.	Description	BA	BH	BB	AL	Remarks
1	52BH0060	Assembly body complete	-	1	-	-	
2	52BH0056	Door assembly fuel filling	-	1	-	-	
3	52BH0058	Door rear upper	-	1	-	-	
4	BH241400	Hinge door rear upper	-	2	-	-	
5	52240748	Door rear lower	-	1	-	-	
6	BH241402	Cable door holding	-	2	-	-	
7	BH211165	Knob rear door lower	-	2	-	-	
8	BH211163	Rubber damper rear door up	-	2	-	-	
9	AZ233007	Label compact plus black	-	1	-	-	
9	AZ233006	Label compact plus white	-	1	-	-	
10	BH211158	Rubber damper rear door low	-	3	-	-	
11	52BH0057	Door engine access	-	2	-	-	
12	AL161509	Grommet screw eng door	-	2	-	-	
13	39190701	Screw - truss cross	-	2	-	-	
14	BH181401	Flapmud	-	2	-	-	
15	BH181402	Plate for mudflap	-	2	-	-	
16	BH241800	Latch door rear upper	-	2	-	-	
17	BG221003	Pad rubber for engine door	-	6	-	-	
18	BB161244	Mudflap rear LH	-	1	1	1	
19	BB161245	Mudflap rear RH	-	1	1	1	
20	BH181405	Plate mudflap support LH	-	1	1	1	
21	BH181406	Plate mudflap support RH	-	1	1	1	

BA - COMPACT
 BH - COMPACT+ / MAXIMA Z
 BB - MAXIMA
 AL - CARGO



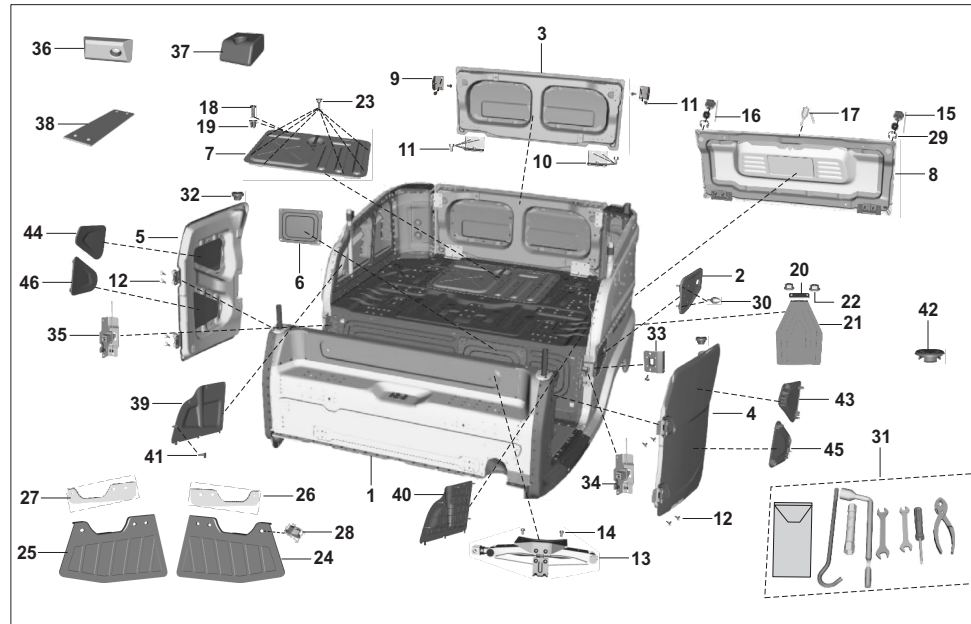
No.	Part No.	Description	BA	BH	BB	AL	Remarks
22	KCGA0505	Nut hex flanged	-	6	-	-	
23	39195104	Bolt-flanged-small -hinge	-	8	-	-	
24	KCAA0605	Nut hex thick clutch cable	-	8	-	-	
25	KDAB0816	Washer_plain_small	-	4	-	-	
26	KECA0415	Circlip	-	2	-	-	
27	LAG00003	Bolt	-	2	-	-	
28	BH211057	Bolt shoulder	-	4	-	-	
29	BH211051	Bracket hook upper door	-	2	-	-	
30	06221028	Shockabsorber pad	-	2	-	-	
31	AZ231000	Tool kit complete	-	1	-	-	
32	BH233012	Lable BSIV Compact+	-	1	-	-	

BA - COMPACT
 BH - COMPACT+ / MAXIMA Z
 BB - MAXIMA
 AL - CARGO



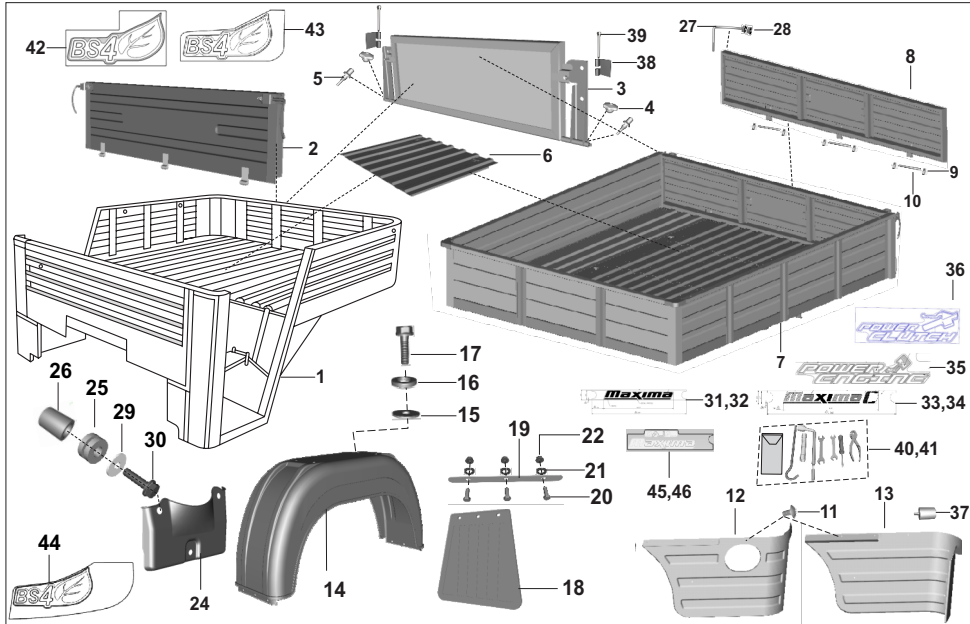
No.	Part No.	Description	BA	BH	BB	AL	Remarks
1	52AZ0175	Assly body with wheel arch	-	1	-	-	Az211042
2	52AZ0178	Door assembly fuel filling	-	1	-	-	Az241002
3	52AZ0180	Door rear upper	-	1	-	-	Az244001
4	52AZ0176	Assbly side door LH UG	-	1	-	-	Az241000
5	52AZ0177	Assly side door RH UG	-	1	-	-	Az241001
6	52AZ0174	Cover battery access UG	-	1	-	-	Az211049
7	52BH0210	Door engine access	-	1	-	-	Az211329
8	52BH0209	Door rear engine access	-	1	-	-	Az244002
9	AZ244034	Bracket latch for fixed tailgate	-	2	-	-	
10	AZ244035	Bracket hinge for fixed tailgate	-	2	-	-	
11	KADF0816	Bolt flanged	-	22	-	-	
12	KBUC0614	Screw truss	-	8	-	-	
13	BB221004	Jack assembly complete	-	1	-	-	
14	KADD0612	Bolt flanged	-	2	-	-	
15	BH211165	Knob rear door lower	-	2	-	-	
16	BH211163	Rubber damper rear door upper	-	2	-	-	
17	BH211158	Rubber damper rear door lower	-	1	-	-	
18	KBUC0516	Screw	-	2	-	-	
19	AL161509	Grommet screw eng door	-	2	-	-	
20	BH181402	Plate for mudflap	-	2	-	-	
21	AZ181401	Mud flap	-	2	-	-	
22	39271115	Nut - flange :- M6 X 1P	-	4	-	-	
23	BG221003	Pad rubber for engine door	-	6	-	-	
24	BB161244	Mudflap rear LH	-	1	-	-	

BA - COMPACT
 BH - COMPACT+ / MAXIMA Z
 BB - MAXIMA
 AL - CARGO



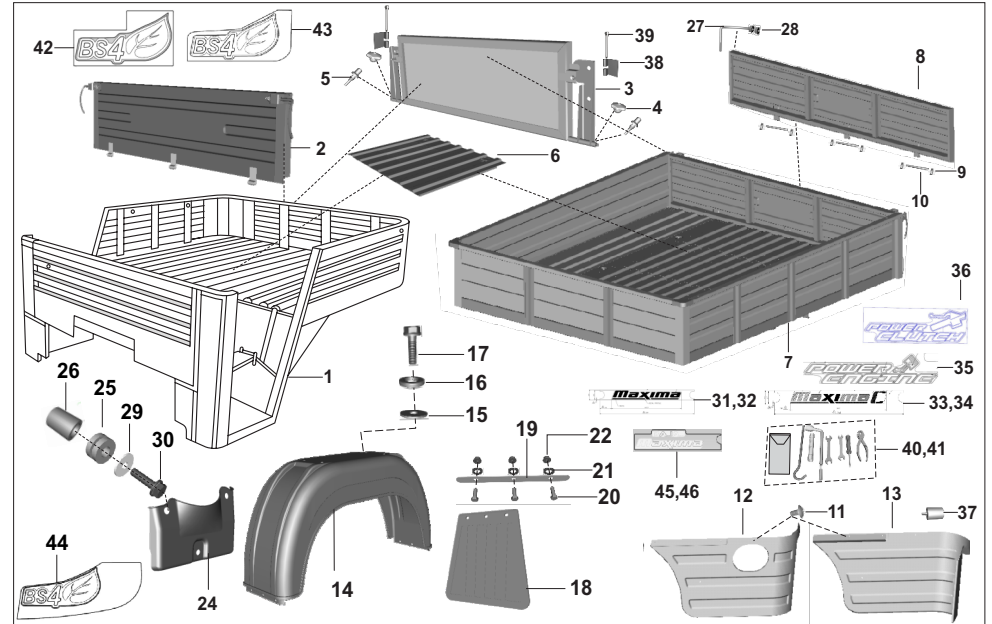
No.	Part No.	Description	BA	BH	BB	AL	Remarks
25	BB161245	Mudflap rear RH	-	1	-	-	
26	BH181405	Plate mudflap support LH	-	1	-	-	
27	BH181406	Plate mudflap support RH	-	1	-	-	
28	KCGA0505	Nut hex flanged	-	6	-	-	
29	KECA0415	Circlip-type-e	-	2	-	-	
30	06221028	Shockabsorber pad	-	2	-	-	
31	AZ231000	Tool kit complete	-	1	-	-	
31	AZ231005	Toolkit - bH04	-	1	-	-	
32	AZ241039	Guide knob mtg side door ug	-	2	-	-	
33	AZ242004	Plate striker latch	-	2	-	-	
34	AZ242002	Latch assembly side door LH	-	1	-	-	
35	AZ242003	Latch assembly side door RH	-	1	-	-	
36	AZ241029	Damper body side upr	-	2	-	-	
37	AZ241031	Damper side door upr ug	-	2	-	-	
38	AL241662	Strip door limiting cargo	-	2	-	-	
39	AZ182402	Trim pad pass body RH UG - Z	-	1	-	-	
40	AZ182401	Trim pad pass body LH UG - Z	-	1	-	-	
41	BF241152	Rivet plastic door edge beading - Z	-	10	-	-	
42	AZ182403	Cap spare wheel mtg cutout UG	-	1	-	-	
43	AZ181004	Trim door top-LH	-	1	-	-	
44	AZ181006	Trim door top-RH	-	1	-	-	
45	AZ181005	Trim door bottom-LH	-	1	-	-	
46	AZ181007	Trim door bottom-RH	-	1	-	-	

BA - COMPACT
 BH - COMPACT+ / MAXIMA Z
 BB - MAXIMA
 AL - CARGO



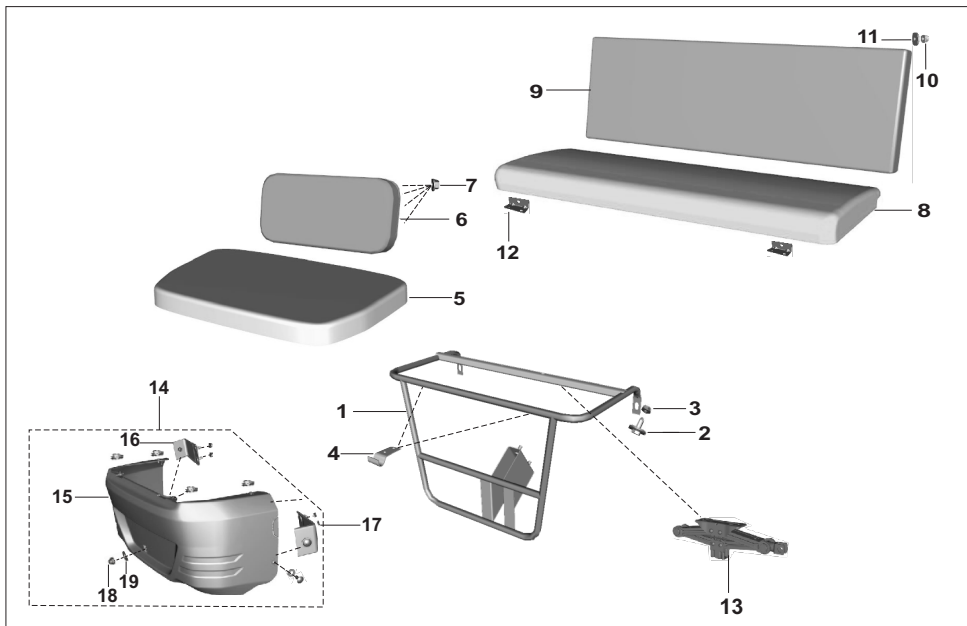
No.	Part No.	Description	BA	BH	BB	AL	Remarks
1	52240668	Assly body complete	-	-	1	-	
2	52BB0285	Door rear upper	-	-	1	-	FR.21.12.2016
3	BB161171	Assembly guard rear	-	-	1	1	
4	24231245	Knob rear door lower	-	-	2	-	
5	24230198	Pad rubber	-	-	2	2	
6	52240669	Door engine access	-	-	1	-	
6	52AL0391	Assly engine access cover	-	-	-	1	
7	52AL0390	Assly tray load body complete	-	-	-	1	
8	52AL0396	Assly panel rear door	-	-	-	1	
9	39272711	Washer-plain	-	-	-	6	
10	AL241405	Hinge pin	-	-	-	3	
11	39070501	Screw M5	-	-	14	-	
12	BB231369	Cover rear LH	-	-	1	-	
13	BB231370	Cover rear RH	-	-	1	-	
14	AL161377	Rear mudguard	-	-	2	2	
15	39081411	Plain washer	-	-	8	8	
16	39026312	Washer spring	-	-	8	8	
17	39190204	Bolt-flanged-small	-	-	8	8	
18	AL161226	Mud flap For rear mudguard	-	-	2	2	
19	AL161229	Strip for mud flap	-	-	2	2	
20	39007104	Hex head screw-m5	-	-	6	6	
21	39026212	Washer - spring	-	-	6	6	
22	KCAA0504	Hexagon nut-m5	-	-	6	6	

BA - COMPACT
BH - COMPACT+ / MAXIMA Z
BB - MAXIMA
AL - CARGO



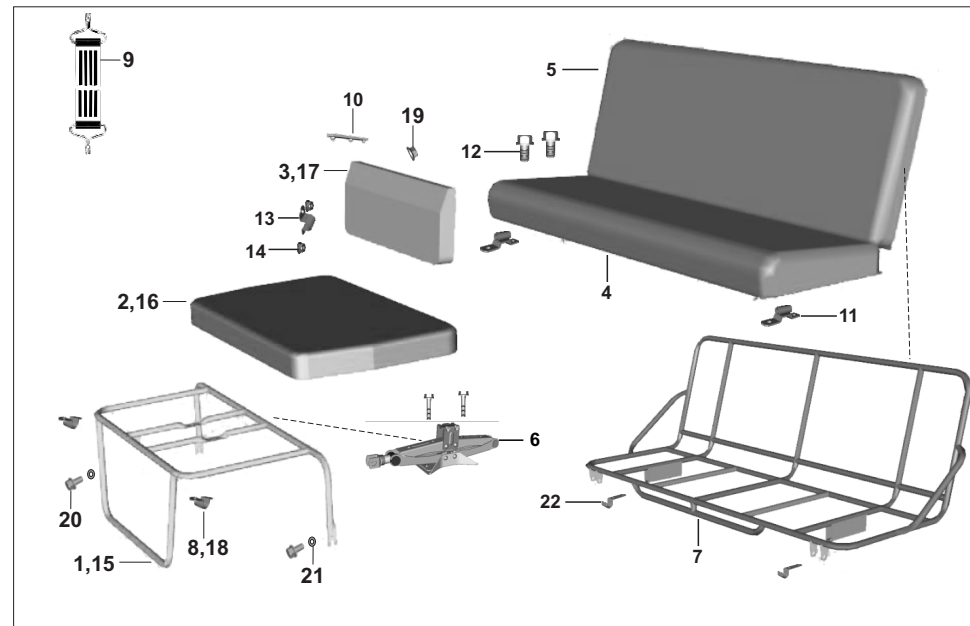
No.	Part No.	Description	BA	BH	BB	AL	Remarks
24	AL101053	Guard splash	-	-	1	1	
25	DG141019	Damper	-	-	3	3	
26	31201001	Collar	-	-	3	3	
27	AL241277	Handle assembly LH	-	-	2	2	
28	39029615	Hexagon nut	-	-	4	4	
29	39121111	Plain washer	-	-	2	2	
30	39155204	Flange bolt-m6	-	-	2	2	
31	BB221023	Label maxima white	-	-	1	1	
32	BB221024	Label maxima black	-	-	1	1	
33	AL221040	Label maxima c rear white	-	-	-	1	
34	AL221036	Label maxima c rear black	-	-	-	1	
35	AL221038	Label power engine	-	-	1	1	
36	AL221037	Label power clutch	-	-	1	1	
37	24161352	Rubber plug for starting lever	-	-	2	-	
38	BB161204	Bracket tie rod	-	-	2	2	
39	39014708	Pin split	-	-	2	2	
40	BB221005	Tool kit complete	-	-	1	1	Kit-13
41	BB221008	Tool kit complete	-	-	-	1	
42	BB231699	Lable BSIV Maxima	-	-	1	-	
43	AL230012	Lable BSIV Maxima C	-	-	-	1	
44	BB231698	Lable BSIV front	1	1	1	1	
45	BB231659	Label bajaj maxima hd white - LL	-	-	1	-	
46	BB231658	Label bajaj maxima hd black - LL	-	-	1	-	

BA - COMPACT
BH - COMPACT+ / MAXIMA Z
BB - MAXIMA
AL - CARGO



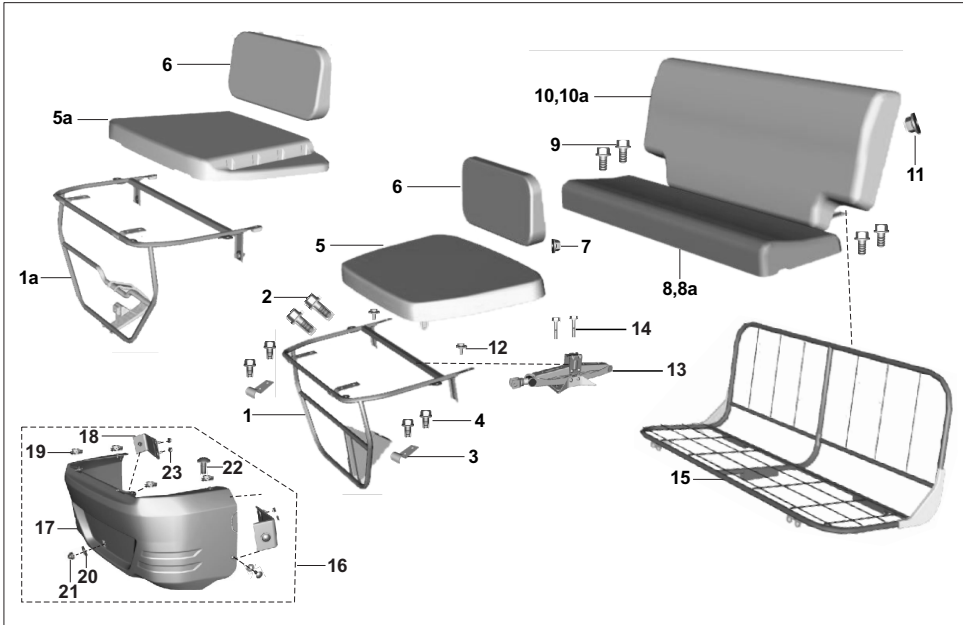
No.	Part No.	Description	BA	BH	BB	AL	Remarks
1	24211028	Driver seat complete	1	-	-	-	
2	24211026	Bolt combination	2	-	-	-	
3	39229515	Nut	2	-	-	-	
4	BH191032	Bracket seat base mtg	2	-	-	-	
5	24211048	Assembly driver seat	1	-	-	-	
6	24211050	Assembly driver backrest	1	-	-	-	
7	39248415	Nut - Hexagon	4	-	-	-	
8	24211017	Seat assly passenger	1	-	-	-	
8	24211056	Assembly passenger seat	1	-	-	-	
9	BA231164	Backrest assly passenger-black	1	-	-	-	
9	BA210014	Backrest assly passenger-brown	1	-	-	-	
10	KCGA0606	Nut	5	-	-	-	
11	39021111	Washer plain	5	-	-	-	
12	24231705	Bracket seat mounting passenger		2	-	-	
13	24221047	Jack assembly complete	1	-	-	-	
14	36AA4070	Driver Seat Enclosur	1	-	-	-	
15	24211037	Enclosure - driver seat	1	-	-	-	
16	24231806	Bracket enclosure side mtg	2	-	-	-	
17	KCGC0606	Nut hex flanged	4	-	-	-	
18	KCEA0605	Nut dome cap single	1	-	-	-	
19	KDBB0818	Washer plain	1	-	-	-	

BA - COMPACT
 BH - COMPACT+ / MAXIMA Z
 BB - MAXIMA
 AL - CARGO



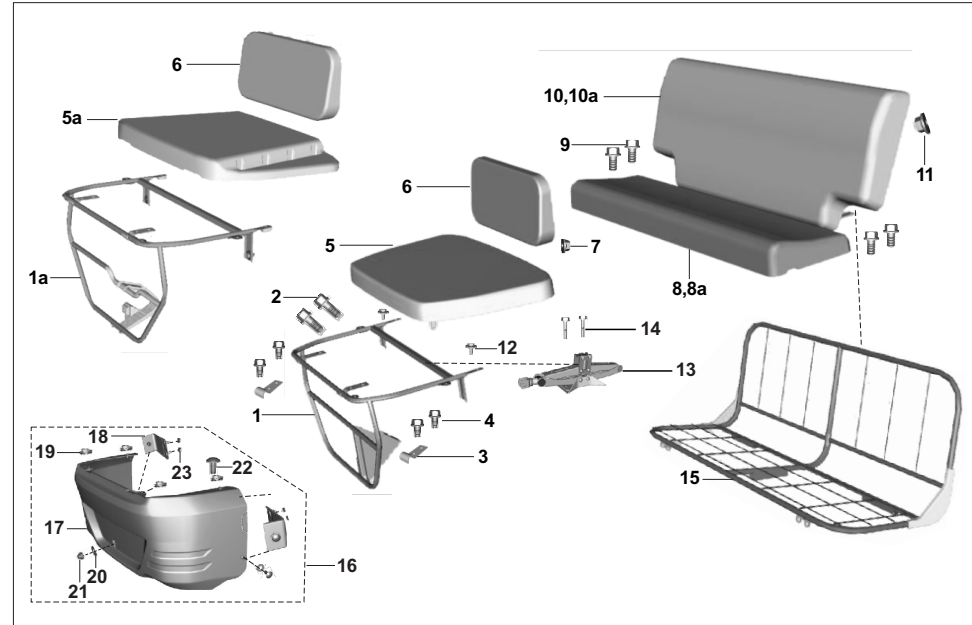
No.	Part No.	Description	BA	BH	BB	AL	Remarks
1	BB211014	Driver seat frame	-	-	1	-	
2	BB211012	Assembly seat cushion	-	-	1	-	
3	BB211010	Driver backrest	-	-	1	-	
4	BB231229	Seat aasly passenger	-	-	1	-	
4	BB211019	Seat assy passenger green	-	-	1	-	
5	BB231232	Back rest assly passenger	-	-	1	-	
6	BB221004	Jack assly	-	-	1	1	
7	BB231220	Frame assly passenger seat	-	-	1	-	
8	24231146	Clip	-	-	1	-	
9	BB231269	Strap assy passenger seat clamp	-	-	2	-	
10	BB231268	Damper	-	-	2	-	
11	BB231227	Bracket assembly hinge	-	-	2	-	
12	39155604	Bolt m8	-	-	4	-	
13	BB231131	Clip for seat mounting	-	-	2	-	
14	39197015	Nut m8	-	-	4	-	
15	AL211019	Driver seat frame	-	-	-	1	
16	AN211001	Seat assembly driver	-	-	-	1	
16	BB211016	Seat assy driver green	-	-	1	-	
17	AL211017	Backrest driver	-	-	-	1	
18	24231146	Clip	-	-	-	2	
19	39197215	Nut - hexagon with flange	-	-	-	7	
20	39155604	Hex hd bolt/flange-m8	-	-	-	2	
21	39023011	Washer plain	-	-	-	2	
22	BB211022	Clamp for seat mtg	-	-	1	-	

BA - COMPACT
 BH - COMPACT+ / MAXIMA Z
 BB - MAXIMA
 AL - CARGO



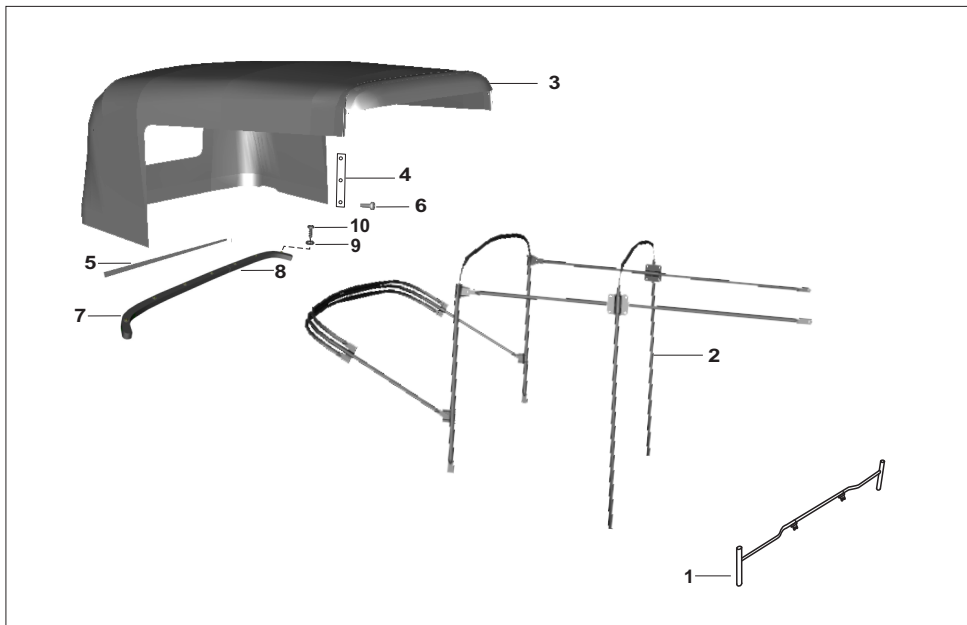
No.	Part No.	Description	BA	BH	BB	AL	Remarks
1	BH191052	Driver seat frame	-	1	-	-	
1a	BH191075	Driver seat frame - Z	-	1	-	-	
2	39167204	Flange bolt-m6 x 16	-	2	-	-	
3	BH191032	Bracket seat base mtg	-	2	-	-	
4	39155604	Bolt Flange	-	4	-	-	
5	24211029	Assbly seat driver	-	1	-	-	
5a	AZ191005	Assly cushion driver seat - Z	-	1	-	-	
6	BH191019	Driver backrest	-	1	-	-	
7	39197215	Nut - Hexagon with flange-M5	-	4	-	-	
8	BH191009	Seat assly passenger	-	1	-	-	
8a	BH191063	Foam passenger seat cushion - Z	-	1	-	-	
9	39155604	Bolt M-8	-	6	-	-	
10	BH191022	Back rest assly passenger	-	1	-	-	
10a	BH191067	Foam passenger seat backrest - Z	-	1	-	-	
11	39238315	Nut - Hexagon with flange-M8	-	2	-	-	
12	LAG00002	Bolt	-	2	-	-	
13	BB221004	Jack assly.	-	1	-	-	
14	KADD0630	Bolt jack	-	2	-	-	
15	BH191062	Frame passenger seat - Z	-	1	-	-	
16	36AA4070	Driver Seat Enclosur	-	1	-	-	
17	24211037	Enclosure - driver seat	-	1	-	-	
18	24231806	Bracket enclosure side mtg	-	2	-	-	

BA - COMPACT
 BH - COMPACT+ / MAXIMA Z
 BB - MAXIMA
 AL - CARGO



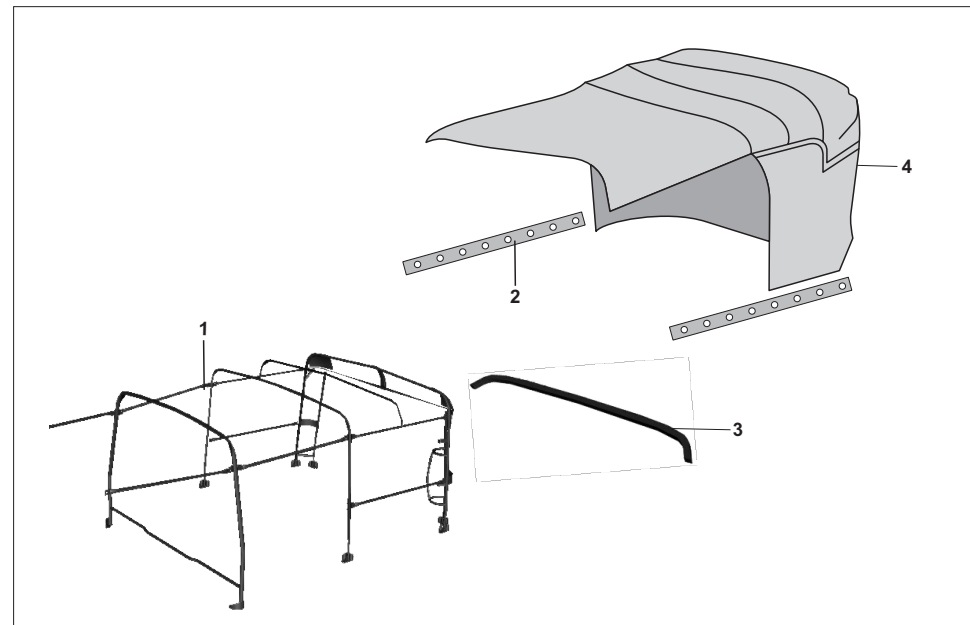
No.	Part No.	Description	BA	BH	BB	AL	Remarks
19	05161256	Clip nut-M6	-	4	-	-	
20	KDBB0818	Washer_plain	-	3	-	-	
21	KCEA0605	Nut dome cap single piece-m6 x 1	-	1	-	-	
22	KBUC0614	Screw truss	-	6	-	-	
23	KCGC0606	Nut hex flanged	-	4	-	-	

BA - COMPACT
 BH - COMPACT+ / MAXIMA Z
 BB - MAXIMA
 AL - CARGO



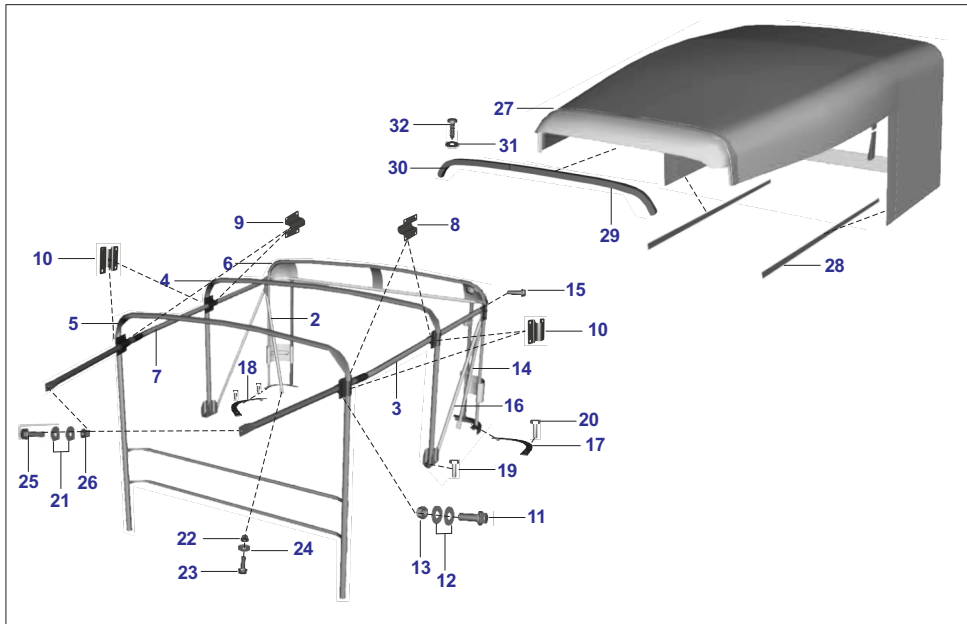
No.	Part No.	Description	BA	BH	BB	AL	Remarks
1	24231620	Assly backrest support top	1	-	-	-	
2	24231748	Hood Frame Assly	1	-	-	-	
3	BA231168	Hood complete black/beige	1	-	-	-	
3	BA231167	Hood complete yellow/beige	1	-	-	-	
3	BA231166	Hood complete mushroom	1	-	-	-	
4	24231867	Strip hood pet-short	1	-	-	-	
5	24231866	Strip hood pet-long	1	-	-	-	
6	39092101	Screw pan cross m4	2	-	-	-	
7	24231772	Stick assembly - hood	1	1	1	-	
8	24231775	Stick assembly - hood	1	1	1	-	
9	39150111	Plain Washer	7	-	-	-	
10	KBRA4819	Screw slotted pinhead tapping	7	-	-	-	

BA - COMPACT
 BH - COMPACT+ / MAXIMA Z
 BB - MAXIMA
 AL - CARGO



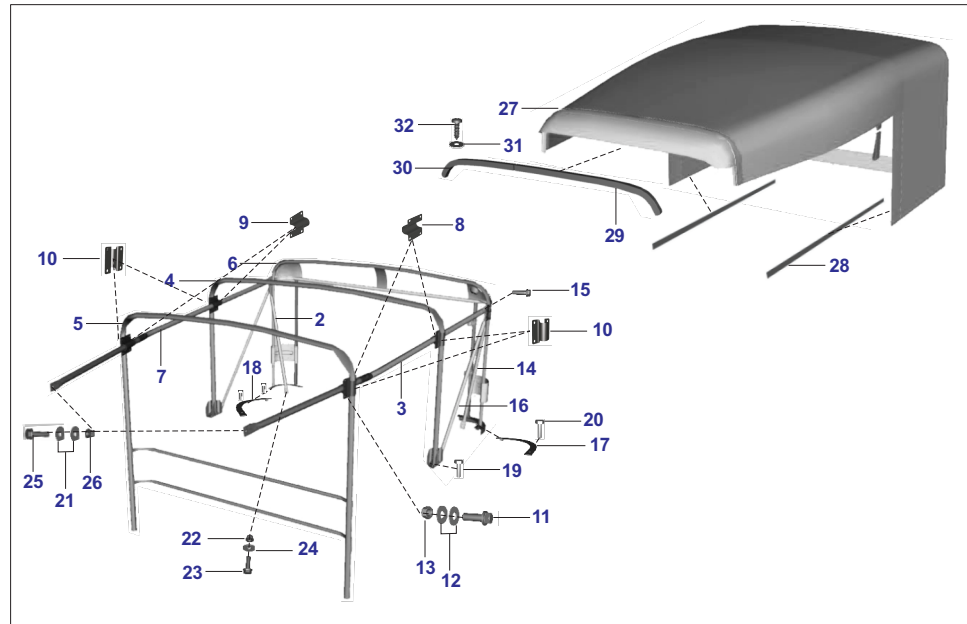
No.	Part No.	Description	BA	BH	BB	AL	Remarks
1	BB231337	Hood frame assly	-	-	1	-	
2	AT213001	Stripe hood fixing RR	-	-	1	-	
3	24231772	Stick assembly - hood I	-	-	1	-	
3	24231775	Stick assembly - hood II	-	-	1	-	
4	BB231338	Hood complete	-	-	1	-	
4	BB231506	Hood complete green	-	-	1	-	

BA - COMPACT
 BH - COMPACT+ / MAXIMA Z
 BB - MAXIMA
 AL - CARGO



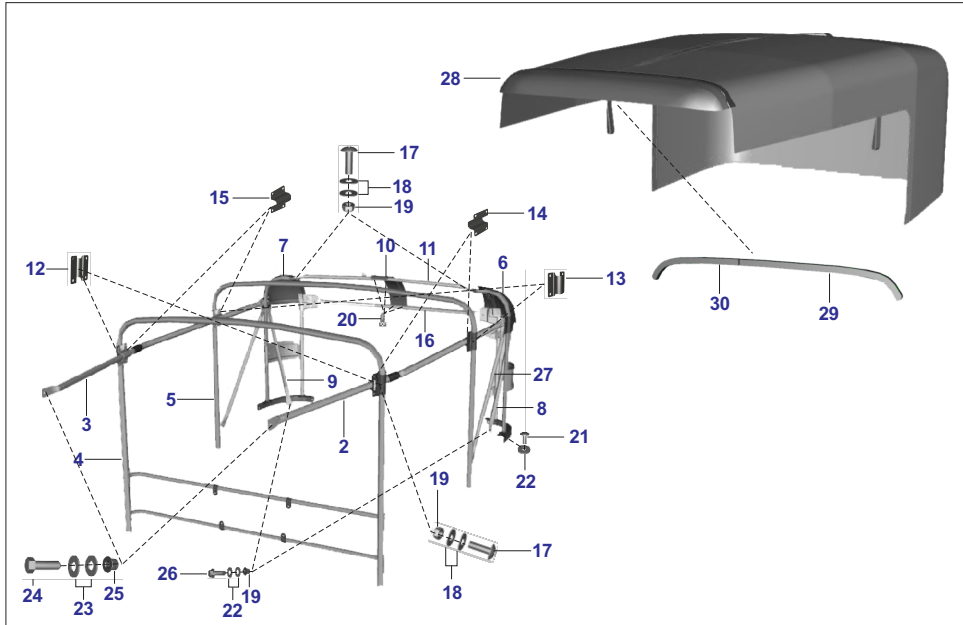
No.	Part No.	Description	BA	BH	BB	AL	Remarks
1	BH213009	Assly hood frame reFL	-	1	-	-	
2	BH213052	Pipe hood side rear RH FL	-	1	-	-	
3	BH213049	Assly hood pipe side LH FL	-	1	-	-	
4	BH213025	Assly hood pipe middle FL	-	1	-	-	
5	BH213021	Assly hood pipe front FL	-	1	-	-	
6	BH213028	Assly hood pipe rear FL	-	1	-	-	
7	BH213050	Assly hood pipe side RH FL	-	1	-	-	
8	BH213040	Bracket hood con inner LH FL	-	2	-	-	
9	BH213051	Bracket hood con inner RH FL	-	2	-	-	
10	BH213039	Bracket hood con outer FL	-	4	-	-	
11	39195804	Bolt flange M6X18	-	18	-	-	
12	39023911	Plain washer	-	40	-	-	
13	39135315	Nut nyloc M6X1	-	20	-	-	
14	BH213044	Pipe hood side rear FL	-	1	-	-	
15	KAEH0622	Bolt-flanged-small	-	2	-	-	
16	BH213045	Pipe hood side rr reinf FL	-	2	-	-	
17	BH213006	Plate nut hood mtg rear LH	-	1	-	-	
18	BH213007	Plate nut hood mtg rear RH	-	1	-	-	
19	KAAA0620	Bolt	-	4	-	-	
20	39195804	Bolt flange M6X18	-	8	-	-	
21	KDBB1022	Washer_plain	-	4	-	-	

BA - COMPACT
 BH - COMPACT+ / MAXIMA Z
 BB - MAXIMA
 AL - CARGO



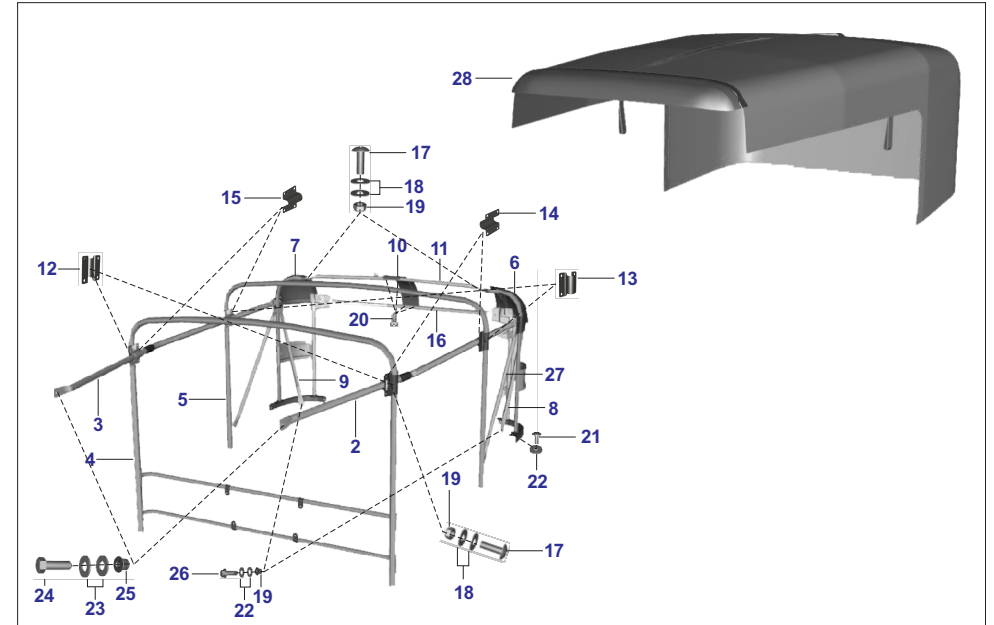
No.	Part No.	Description	BA	BH	BB	AL	Remarks
22	KCKA0609	Nut nyloc flanged	-	2	-	-	
23	39155204	Flange bolt-M6	-	2	-	-	
24	39021111	Washer plain	-	14	-	-	
25	KAAA0825	Bolt	-	2	-	-	
26	KCKA0811	Nut nyloc flanged	-	2	-	-	
27	BH213012	Hood complete	-	1	-	-	
28	AT213001	Stripe hood fixing RR	-	2	-	-	
29	24231772	Stick assembly - hood	-	1	-	-	
30	24231775	Stick assembly - hood	-	1	-	-	
31	39150111	Plain washer	-	1	-	-	
32	KBRA4819	Screw slotted pin head tapping	-	2	-	-	

BA - COMPACT
 BH - COMPACT+ / MAXIMA Z
 BB - MAXIMA
 AL - CARGO



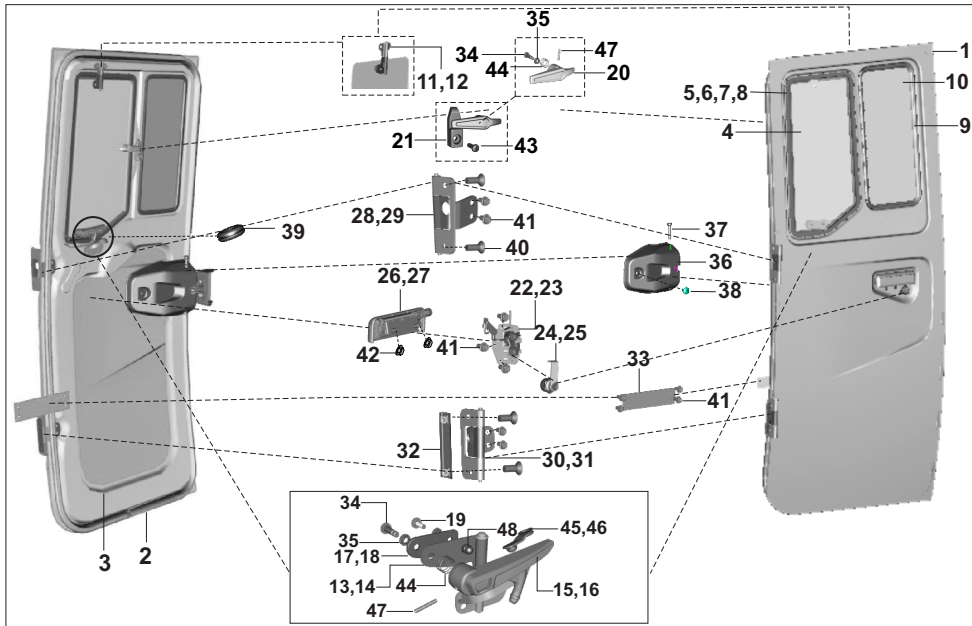
No.	Part No.	Description	BA	BH	BB	AL	Remarks
1	AZ211093	Assembly hood frame UG	-	1	-	-	
2	AZ211094	Assembly hood pipe side LH UG	-	1	-	-	
3	AZ211098	Assembly hood pipe side RH UG	-	1	-	-	
4	AZ213030	Assembly b pillar UG	-	1	-	-	
5	AZ213011	Pipe c pillar UG	-	1	-	-	
6	AZ213050	Assembly d pillar LH UG	-	1	-	-	
7	AZ213051	Assembly d pillar RH UG	-	1	-	-	
8	AZ213025	Pipe support d pillar LH UG	-	1	-	-	
9	AZ213026	Pipe support d pillar RH UG	-	1	-	-	
10	AZ213027	Bracket d pillar mid supp UG	-	1	-	-	
11	AZ213031	Pipe middle d pillar UG	-	1	-	-	
12	AZ213047	Bracket b plr supp side outer UG	-	2	-	-	
13	AZ213028	Bracket c plr supp side outer UG	-	2	-	-	
14	AZ213045	Bracket hood con inner LH UG	-	2	-	-	
15	AZ213046	Bracket hood con inner RH UG	-	2	-	-	
16	AZ213054	Assembly pipe middle d pillar UG	-	1	-	-	
17	KBUA0620	Screw truss	-	10	-	-	
18	39023911	Plain washer	-	42	-	-	
19	39135315	Nut nyloc M6X1	-	26	-	-	
20	KBQA4213	Screw tapping pan slotted	-	4	-	-	
21	KBUA0614	Screw truss	-	16	-	-	
22	39021111	Washer plain	-	12	-	-	

BA - COMPACT
 BH - COMPACT+ / MAXIMA Z
 BB - MAXIMA
 AL - CARGO



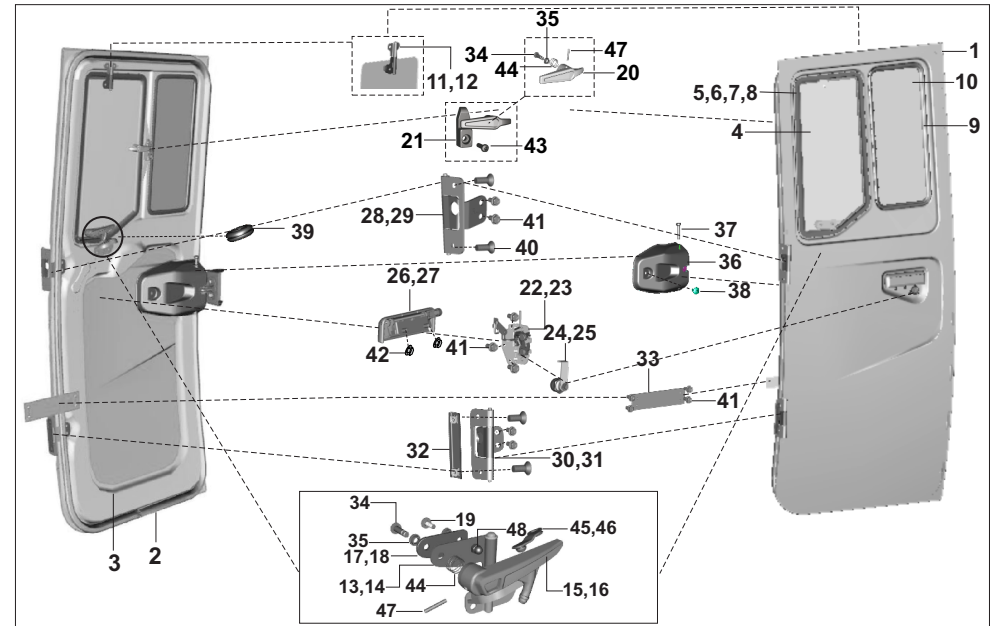
No.	Part No.	Description	BA	BH	BB	AL	Remarks
23	KDBB1022	Washer_plain	-	4	-	-	
24	KAAA0825	Bolt	-	2	-	-	
25	KCKA0811	Nut nyloc flanged	-	2	-	-	
26	39195804	Bolt flange M6X18	-	2	-	-	
27	AZ211188	Pipe cross c to d pillar	-	2	-	-	
28	AZ186001	Hood complete UG	-	1	-	-	
29	24231772	Stick assembly - hood	-	1	-	-	
30	24231775	Stick assembly - hoo	-	1	-	-	

BA - COMPACT
 BH - COMPACT+ / MAXIMA Z
 BB - MAXIMA
 AL - CARGO



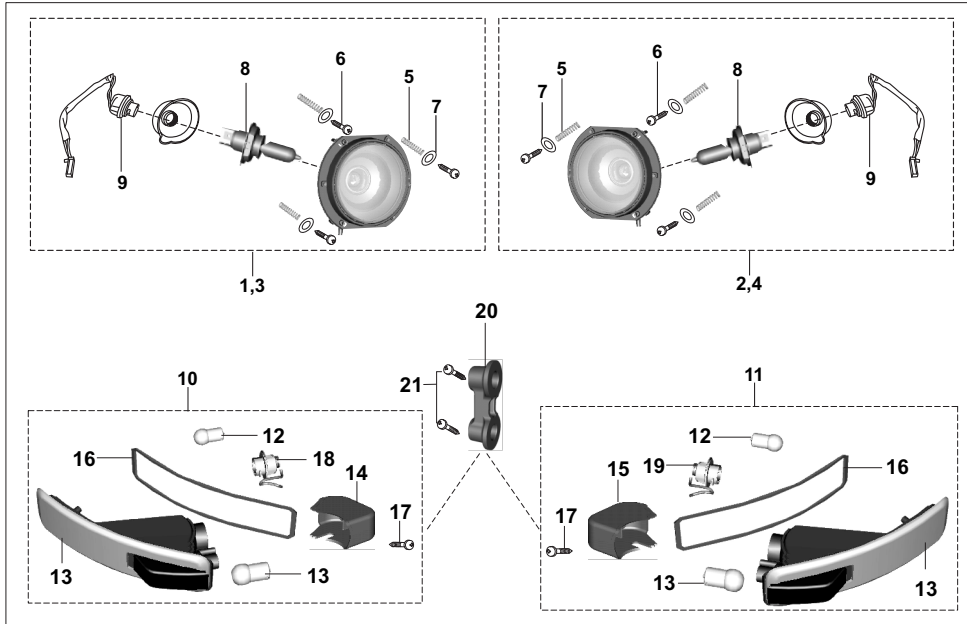
No.	Part No.	Description	BA	BH	BB	AL	Remarks
1	52AL0392	Assly door RH AI24159	-	-	-	1	
2	52AL0395	Assly door LH AI241597	-	-	-	1	
3	AL241442	Beading door	-	-	-	2	
4	AL241693	Glass swivel	-	-	-	2	
5	AL241690	Beading front RH sw glass	-	-	-	1	
6	AL241689	Beading front LH sw glass	-	-	-	1	
7	AL241692	Beading rear RH sw glass	-	-	-	1	
8	AL241691	Beading rear LH sw glass	-	-	-	1	
9	AL241696	Glass fixed cargo	-	-	-	2	
10	AL241695	Beading fixed glass	-	-	-	2	
11	AL241482	Assly hinge upperRH-glass sw	-	-	-	1	
12	AL241455	Assly hinge upper LH -glass sw	-	-	-	1	
13	AL241474	Hinge assy lower RH-glass sw	-	-	-	1	
14	AL241456	Assly hinge lower LH-glass sw	-	-	-	1	
15	AL241465	Handle RH-glass swivel	-	-	-	1	
16	AL241457	Handle LH for glass swivel	-	-	-	1	
17	AL241477	Spacer for hinge assly lower	-	-	-	2	
18	AL241478	Spacer for hinge assly upper	-	-	-	2	
19	39190701	Mushroom head screw	-	-	-	4	
20	AL241774	Lever glass lock	-	-	-	1	
21	AL241775	Lock glass	-	-	-	2	
22	AL241701	Latch mechanism RH	-	-	-	1	
23	AL241700	Latch mechanism LH	-	-	-	1	
24	36AL0055	Lock RH for door without key	-	-	-	1	AL181043

BA - COMPACT
 BH - COMPACT+ / MAXIMA Z
 BB - MAXIMA
 AL - CARGO



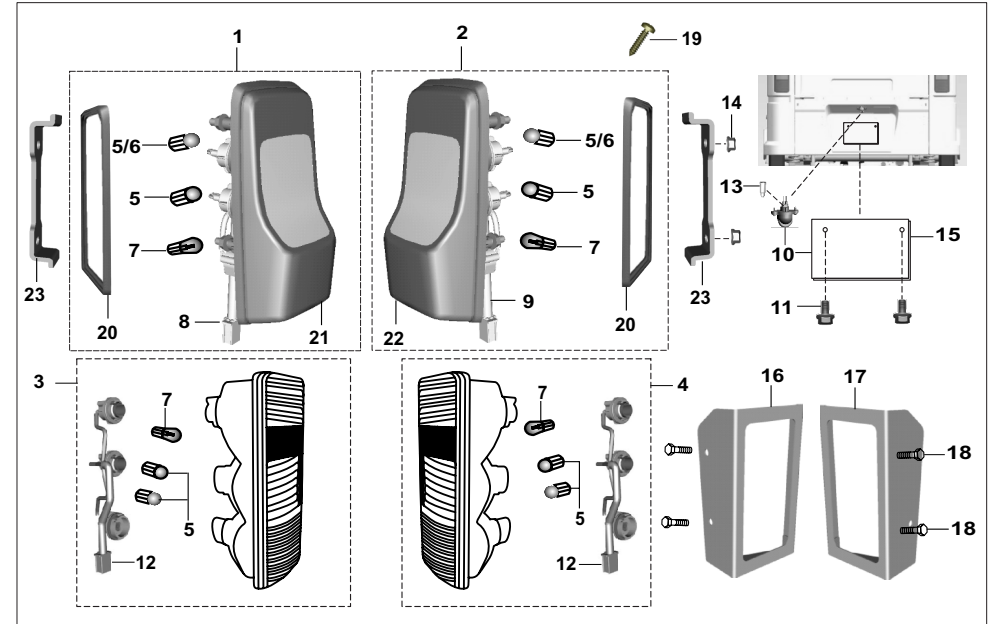
No.	Part No.	Description	BA	BH	BB	AL	Remarks
25	36AL0054	Lock LH for door without key	-	-	-	1	AL181042
26	AL241221	Handle assly RH-door lock	-	-	-	1	
27	AL241220	Handle assly LH-door lock	-	-	-	1	
28	AL241609	Assly hinge upper RH	-	-	-	1	
29	AL241603	Assly hinge upper LH	-	-	-	1	
30	AL241614	Assly hinge lower RH	-	-	-	1	
31	AL241606	Assly hinge lower LH	-	-	-	1	
32	AL161662	Plate for hinge re 3wh cargo	-	-	-	2	
33	AL241662	Strip door limiting cargo	-	-	-	2	
34	AL241479	Pin step for handle	-	-	-	2	
35	AL241480	Spacer with collar glass mtg	-	-	-	4	
36	AL241475	Cover door latch for re 900	-	-	-	2	
37	AL241395	Knob door lock	-	-	-	2	
38	AL241481	Nut - hexagon with flange m6	-	-	-	6	
39	LLA00002	Grommet -id 6	-	-	-	2	
40	DH101379	Screw csk m6x16 - precoated	-	-	-	8	
41	KADA0612	Bolt flanged	-	-	-	22	
42	KCGF0606	Nut - hexagon with flange m6	-	-	-	4	39158115
43	KBBC0516	Screw pan cross	-	-	-	2	
44	AL241189	Spring glass lock	-	-	-	2	
45	AL241804	Grmt sw gl locking handle RH	-	-	-	1	
46	AL241803	Grmt sw gl locking handle LH	-	-	-	1	
47	39157006	Sleeve - spring dowel	-	-	-	2	
48	24231475	Nut dome cap-M5	-	-	-	2	

BA - COMPACT
 BH - COMPACT+ / MAXIMA Z
 BB - MAXIMA
 AL - CARGO



No.	Part No.	Description	BA	BH	BB	AL	Remarks
1	AL201119	H/I assly LH	1	1	-	-	
2	AL201120	H/I assly RH	1	1	-	-	
3	BB201078	Light assly head LH with lamp	-	-	1	1	
4	BB201079	Light assly head RH with lamp	-	-	1	1	
5	BB201070	Spring head lamp mounting	6	6	6	6	
6	AA201264	Screw pan cross M5x40	6	6	6	6	
7	39025811	Plain washer	6	6	-	-	
7	39021911	Washer plain	-	-	6	6	
8	CL201023	Lamp 12v-35/35w-hs1	2	2	2	2	
9	AA201262	Rubber cap headlamp	2	2	2	2	
10	24201487	Ind assly. Front LH/ lamp	1	1	1	1	
11	24201488	Ind assly. Front RH/ lamp	1	1	1	1	
12	JD401032	Bulb 12v 5w e-marked	2	2	2	2	
13	18201044	Lamp :- 12V - 10W - R 10W	2	2	2	2	
14	24201485	Cover side indicator FR LH	1	1	1	1	
15	24201486	Cover side indicator FR RH	1	1	1	1	
16	24201484	Gasket front side indicator refl	1	1	1	1	
17	KBRB3525	Screw tapping pan slotted	2	2	2	1	
18	24201502	Cable fr indi with holder LH	1	1	1	1	
19	24201503	Cable fr indi with holder RH	1	1	1	1	
20	24201523	Holder front indicator assly	2	2	2	2	
21	KBRC3516	Screw tapping pan cross	4	4	4	2	
22	24201504	Assembly lens & reflector fr ind	2	2	2	2	

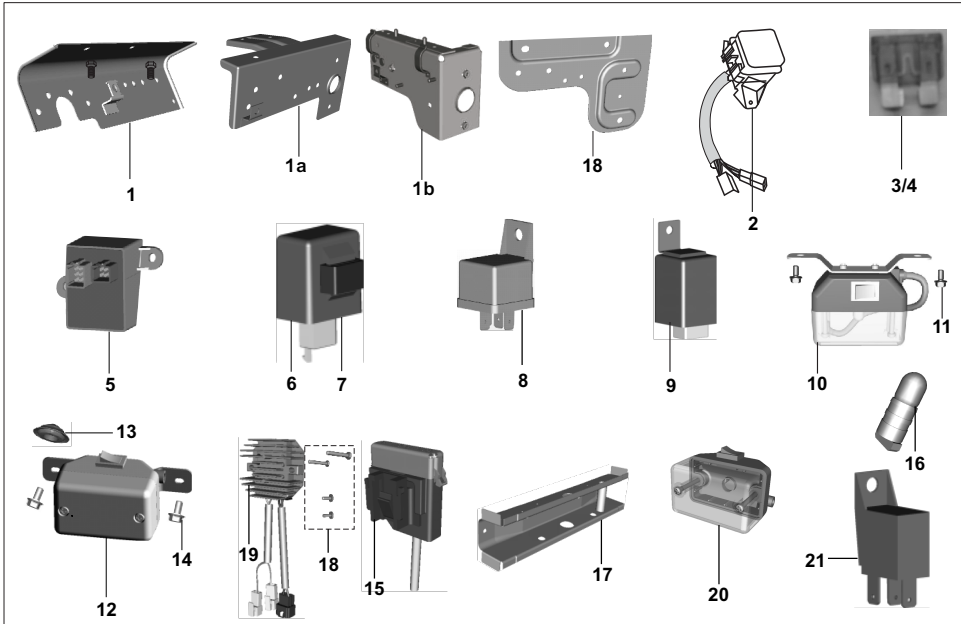
BA - COMPACT
 BH - COMPACT+ / MAXIMA Z
 BB - MAXIMA
 AL - CARGO



No.	Part No.	Description	BA	BH	BB	AL	Remarks
1	BB201104	Lamp assly tail-LH fr.03.11.16	1	-	1	1	
2	BB201105	Lamp assly tail-RH fr.03.11.16	1	-	1	1	
3	AA201199	Tail light LH with lamp	-	1	-	-	
3	AZ401001	Assembly taillamp LH - Z	-	1	-	-	
4	AA201201	Tail light RH with lamp	-	1	-	-	
4	AZ401002	Assembly taillamp RH - Z	-	1	-	-	
5	18201044	Lamp :- 12V - 10W	4	4	4	4	
6	GH201012	Llamp:-12v-10w (colour:-amber)	2	-	2	2	
7	20201029	Lamp 12V 21/5W	2	2	2	2	
8	BB201109	Cable taillamp with holder LH	1	-	1	1	
9	BB201110	Cable taillamp with holder RH	1	-	1	1	
10	BH401004	Number plate light with lamp	-	1	-	-	
10	BH401016	Lamp assembly-plate-number - Z	-	1	-	-	
11	39168004	Bolt flange m6	2	2	2	2	
12	BH401005	Harness wiring tail light LH	-	1	-	-	
12	BH401006	Harness wiring tail light RH	-	1	-	-	
13	DJ201072	Lamp - position 12V / 5W No. plate	1	1	1	1	
14	KCGD0606	Nut hex flanged	4	4	4	4	
15	22161221	Plate number rear	1	1	1	1	
16	BB161182	Bracket tail lamp mtg LH	-	-	1	1	
17	BB161184	Bracket tail lamp mtg RH	-	-	1	1	
18	KADA0814	Bolt flanged	4	4	4	4	
19	KBRA4219	Screw tapping pan cross (glass)	4	-	4	4	
20	24201476	Gasket tail light assembly refl	2	-	1	1	
21	24201477	Lens tail light LH refl	1	-	1	1	
22	24201499	Lens tail light RH refl	1	-	1	1	
23	AA201090	Bracket mounting tail light	2	-	2	2	

BA - COMPACT
 BH - COMPACT+ / MAXIMA Z
 BB - MAXIMA
 AL - CARGO

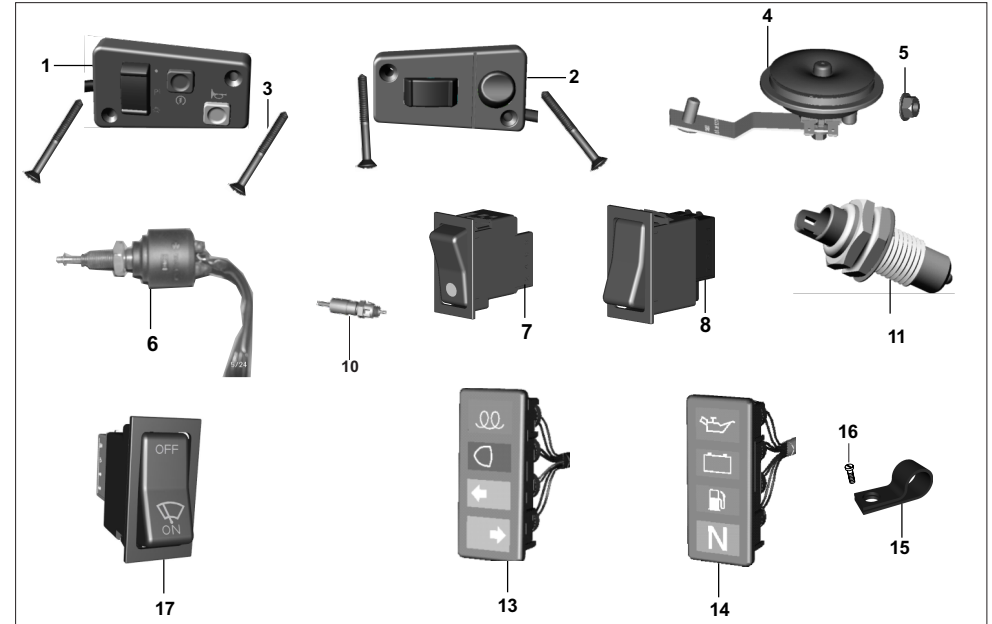
PLATE NO. 78 : ELECTRICAL UNITS



No.	Part No.	Description	BA	BH	BB	AL	Remarks
1	AP201037	Plate electrical units FR	1	1	-	-	
1a	AL161273	Plate electrical units FR	-	-	1	1	
1b	AT111042	Bracket assembly-electric unit- LL	-	-	1	-	
2	AL201082	Fuse box assembly	1	1	1	1	
3	AK201012	Fuse blade type 10 amp	6	6	6	6	
4	DG201084	Fuse :- 30 amps (blade type)	1	1	1	1	
5	BG403206	Assy combine control unit	1	1	1	1	
6	AB201076	Relay flasher (hazard)	1	1	1	1	
7	31201029	Holder for relay	1	1	1	1	
8	BA201017	Starter relay	1	1	1	1	
9	BB111009	Glow plug timer	1	1	1	1	
10	AL201039	Lamp (light) assembly - cabin	-	1	1	1	
11	KADS0510	Bolt flange	-	-	5	5	alt-KADA0510
12	AP201058	Cabin light assembly	1	1	1	1	
13	BH111092	Grommet wiring harness fl	1	1	1	1	
14	39220804	Bolt flanged cabin lamp	2	2	2	2	
15	BH402220	Assembly fuse box blade type	1	1	1	1	
16	24201515	Bulb 12v,10w,capless-cab	1	1	1	1	
17	BA161146	Plate electrical units RR	1	-	-	-	
18	BB161252	Plate assly ele unit mtg	-	-	1	1	
19	BB201022	Regulator	1	1	1	1	
20	AA201305	Lamp engine cabin- Refresh	1	-	-	-	
21	AL201012	Relay head light	2	2	2	2	

BA - COMPACT
 BH - COMPACT+ / MAXIMA Z
 BB - MAXIMA
 AL - CARGO

PLATE NO. 79 : SWITCHES



No.	Part No.	Description	BA	BH	BB	AL	Remarks
1	BH401401	Switch control RH HC	1	1	1	1	
2	AL201060	Switch control LH HC	1	1	1	1	
3	AL201062	Slotted ch. Hd. Screw	4	4	4	4	
4	AA201239	Horn dc 12v with transil diode	1	1	1	1	
5	39229515	Nut - flange :- M8	1	1	1	1	
6	AF201094	Brake switch	1	1	1	1	
7	AL201031	Switch for stereo connection	1	1	1	1	
8	AB201077	Switch hazard warning	1	1	1	1	
9	BA201082	Oil pressure switch	1	1	1	1	
10	BH401400	Reverse switch	1	1	1	1	
11	AP111023	Neutral switch	1	1	1	1	
12	CM201054	Lamp 12v 2w	4	4	-	-	
15	AL201070	Clip p for new control switch	2	2	2	2	
16	39263101	Screw pan head M5	2	2	2	2	
17	AA201088	Wiper switch	1	1	1	1	
13	BA201120	Indicator light assy/lamp SHL	1	-	-	--	
14	BA201093	Indicator light assy/lamp	1	-	-	--	

BA - COMPACT
 BH - COMPACT+ / MAXIMA Z
 BB - MAXIMA
 AL - CARGO

KIT LIST



Sr. No.	Kit Part No.	Kit Description	Consisting of Following Parts		
			Part No.	Description	Qty./Kit
1.	24151168	Strut assly FR complete	24151129	Strut plate FR	1
			24151131	Pinion	1
			24151130	Plate ratchet	1
			24151139	Pin ratchet	1
			24151132	Spring strut LH	1
2.	24151170	Ratchet kit for FR & LH	24151130	Plate ratchet	1
			24151139	Pin ratchet	1
			24151132	Spring strut LH	1
3.	24151181	Ratchet kit RH	24151130	Plate ratchet	1
			24151139	Pin ratchet	1
			24151152	Spring strut RH	1
4.	24151268	Brake shoe kit (ask)	24151138	Spring shoe clamping	2
			24151137	Pin pivot shoe	2
			BH131824	Shoe assly brake	2
5.	24151172	Shoe clamp spring kit	24151138	Spring shoe clamping	2
			24151137	Pin pivot shoe	2
6.	BB151064	Shoe clamp spring kit	AL151201	Spring shoe clamping	2
			AL151202	Pin pivot shoe	2
7.	24151182	Spring kit (Compact, Optima)	24151133	Main spring	3
			24151153	Spring strut holding RH	1
			24151135	Spring shoe holding	1
8.	BB151062	Spring kit LH (Maxima)	AL151196	Shoe return spring lower	1
			AL151195	Main spring	1
			AL151197	Adjuster holding spring LH	1
9.	BB151063	spring kit RH (Maxima)	AL151196	Shoe return spring lower	1
			AL151195	Main spring	1
			AL151198	Adjuster holding spring RH	1
10.	24151177	Lever parking brake LH	24151147	Pin split - HBL	1
			24151146	Pin pivot-park lever	1
			24151148	Washer- plain park lever	1
			BH131813	Lever parking brake LH	1
11.	24151183	Lever parking brake RH	24151147	Pin split - HBL	1
			24151146	Pin pivot-park lever	1
			24151148	Washer- plain park lever	1
			BH131814	Lever parking brake RH	1
12.	24151113	Wheel cylinder assly rear LH (Optima)	AB151052	Bleeder screw cap	1
			AB151079	Bleeder screw	1
			24151106	Protection boot	2
			24151105	Rebound spring	1
			24151116	Piston lip seal	2
			24151166	Slotted piston	2

BA - COMPACT
 BH - COMPACT+ / MAXIMA Z
 BB - MAXIMA
 AL - CARGO

KIT LIST



Sr. No.	Kit Part No.	Kit Description	Consisting of Following Parts		
			Part No.	Description	Qty./Kit
13.	BB221005	Tool kit complete	DF221043	Tool driver:olive green&plastic handle	1
			BB221006	Spanner : wheel	1
			24221022	Spanner - flat :- 7 x 8	1
			24221021	Tool wrench :- 10 x 12	1
			24221024	Spanner - flat :- 13 x 14	1
			AL221017	Spanner flat 14 x 17	1
			AL221018	Tool plier (olive green)	1
			BB221007	Bar: tommy	1
			22221016	Bag - polyethylene	1
			AL221019	Tool bag	1
14.	24151097	Major Kit	24 15 1092	Seal(oil supply port	1
			24 15 1091	O-Ring	1
			24 15 1089	Piston lock screw	1
			AB 15 1070	Protection boot	1
			39 23 6017	Internal circlip	1
			24 15 1086	Spring locking screw	1
			24 15 1085	Spring guide socket	1
			24 15 1081	Primary return spring	1
			24 15 1082	Primary spring locator	1
			24 15 1084	Primary piston	1
			24 15 1078	Secondary return spring	1
			24 15 1077	Secondary spring locat	1
			24 15 1080	Secondary lip seal	2
24 15 1083	Plate valv	2			
24 15 1076	Primary lip seal	2			
24 15 1075	Secondary piston	1			
15.	24151098	Minor Kit	24 15 1092	Seal(oil supply port	2
			AB 15 1070	Protection boot	1
			39 23 6017	Internal circlip	1
			24 15 1080	Secondary lip seal	2
			24 15 1083	Plate valve	2
			24 15 1076	Primary lip seal	2
16.	24151107	Major kit fr	AB151052	Bleeder screw cap	1
			AB151079	Bleeder screw	1
			24151106	Protection boot	2
			24151105	Rebound spring	1
			24151104	Piston lip seal (fr)	2
			24151165	Slotted piston (fr)	2
17.	24151108	Minor kit fr	24 15 1106	Protection boot	2
			24 15 1105	Rebound spring	1
			24 15 1104	Piston lip seal front	2

BA - COMPACT
 BH - COMPACT+ / MAXIMA Z
 BB - MAXIMA
 AL - CARGO

KIT LIST



Sr. No.	Kit Part No.	Kit Description	Consisting of Following Parts		
			Part No.	Description	Qty./Kit
18.	36244016	Kit pivot pin with bush(increased lngth)	AB171020	Bush - needle	2
			242171129	Pin pivot	1
19.	36244024	Kit lock for door with key	24230197	Lock for door	1
			24181020	Key set - 1000 combination	1
20.	36244041	Kit Upper St.Cone FL&nonF	24181047	Nut lock ring	2
			AB181020	Washer - spacer :- top be	1
			AB181017	Ball - steel with nylon C	1
			24181046	Race upper bearing	1
			24161443	Cover dust top	1
			36001052	Grease lethon RR3 -10GM	1
			AB181019	Bearing race - upper :- O	1
			24181020	Key set - 1000 combination	1
21.	36244042	KIT St lock (I24181016) with key - Small	24181016	Lock - steering :- 1000 combinations	
			24181020	Key set - 1000 combination	1
22.	36244044	KIT Lock fuel filling door (24181144) wi	24181020	Key set - 1000 combination	1
			24181144	Lock for fuel filling cover	1
23.	36244063	Kit_front hub pin-all com	39235717	Circlip - internal	2
			AB171020	Bush - needle	2
			AB171037	Spacer	2
			30101185	Ring - o	2
			24171129	Pin pivot	1
			59200012	Bearing - needle (sl 35 2	1
24.	36244069	Kit_rear wheel bearing ki	1100342	Bearing - ball	1
			22171007	Seal - oil	1
			24171024	Seal - oil :- 48 dia.	1
			39118215	Nut	1
			24171066	Clip - spring	1
			BG141253	Rubber buffer	2
			BG141252	Rubber buffer	2
			36001052	Grease lethon rr3 -10gm	1
			BH151065	Plate upper	1
			BH151066	Plate assly lower	1
25.	36244085	KIT Plate assly	BH151008	Cover dust top FL	1
			AA181022	Bearing race lower	1
			AB181033	Race -bearing:lower-outer	1
			AB181012	Ball - steel with cage -	1
			BH151007	Cover dust lower FL	1
			36001052	Grease lethon RR3 -10GM	1
			BH151009	Spacer fork front FL	1
			AL181005	Cover - dust :- top	1
27.	36AL0005	Kit Lower St. Cone GC, Me	AL181006	Cover - dust :- bottom	1
			AL181007	Balls with cage	1
			AL181004	Bearing race - lower :- l	1

BA - COMPACT
BH - COMPACT⁺ / MAXIMA Z
BB - MAXIMA
AL - CARGO

KIT LIST



Sr. No.	Kit Part No.	Kit Description	Consisting of Following Parts		
			Part No.	Description	Qty./Kit
			AL181003	Bearing race - lower :- O	1
			36001052	Grease lethon RR3 -10GM	1
			BB181010	Spacer fork front RE445L	1
28.	36AI0015	Glove box lock with key kit	AL161171	Lock glove box lid	1
			24181020	Key set 1000 combination	1
29.	36AI0016	Stero box lock with key kit	AL161182	Stopper stero lid lock	1
			24181020	Key set 1000 combination	1
30.	36AL0022	Kit Upper St. Cone GC,Meg	24181047	Nut lock ring	2
			AB181020	Washer - spacer :- top be	1
			AL181009	Balls with cage - upper	1
			24181046	Race upper bearing	1
			24161443	Cover dust top	1
			36001052	Grease lethon RR3 -10GM	1
			AB181019	Bearing race - upper :- O	1
			-----	Protection Boot	2
31.	36AL0029	WH.CylinderMinorKitCargo	24151105	Rebonding Spring	1
			24151104	Piston Lip Seal	2
			Ab 151052	Bleeder Screw Cap	1
			Ab 151079	Bleeder Screw	1
32.	36AL0030	Wh. Cylinder Major Kit Cargo	-----	Protection Boot	2
			24151104	Piston Lip Seal	2
			24151105	Rebonding Spring	1
			24151165	Slotted Pistion Rear	2
			AL151239	Back Plate Assly Front Cargo	1
			AL151247	Flange Back Plate Cargo	1
			39042304	Hex. Bolt M10x1.25px16	4
AL171053	Lock Plate	2			
35.	36AL0035	Benjo Bolt Kit	AL151049	Banjo Bolt	1
			21150422	Copper Washer	2
36.	36AL0038	Back Plate Assly LH Finished	-----	Back Plate Assly Re Lh Cargo	1
37.	36AL0040	Back Plate Assly LH Finished	-----	Back Plate Assly Re Rh Cargo	1
38.	36AL0042	Kit Barshaft LH Cargo	AL133005	Bar Shaft Lh	1
			BH551410	Circlip	2
			BH551415	Boot Clamp Large	2
			BH551417	Boot Clamp Small	2
			BB133110	Boot Cv Shaft	2
			AL133006	Bar Shaft Lh	1
39.	36AL0043	Kit Barshaft RH Cargo	BH551410	Circlip	2
			BH551415	Boot Clamp Large	2
			BH551417	Boot Clamp Small	2
			BB133110	Boot Cv Shaft	2

BA - COMPACT
BH - COMPACT⁺ / MAXIMA Z
BB - MAXIMA
AL - CARGO

KIT LIST



Sr. No.	Kit Part No.	Kit Description	Consisting of Following Parts		
			Part No.	Description	Qty./Kit
60.	36BH0010	Kit obj & tripod	BH551408	Obj tulip	1
			BH551415	Boot clamp large	1
			BH551417	Boot clamp small	1
			BH551423	Grease	1
			BH551412	Finished roller	3
			BH551411	Tripod finished	1
			BH551410	Circlip	1
61.	36BH0011	Kit obj & tripod	BB133077	Obj tulip	1
			BH551415	Boot clamp large	1
			BH551417	Boot clamp small	1
			BH551423	Grease	1
			BH551412	Finished roller	3
			BH551411	Tripod finished	1
			BH551410	Circlip	1
62.	36BH0019	Kit Roller	BH551412	Finished Roller	3
63.	36BH0030	Kit ibj-all	BH551426	lby tulip	1
			BH551415	Boot clamp large	1
			BH551417	Boot clamp small	1
			BH551423	Grease	1
64.	36BH0031	Kit ibj & tripod	BH551426	lby tulip	1
			BH551415	Boot clamp large	1
			BH551417	Boot clamp small	1
			BH551423	Grease	1
			BH551412	Finished roller	3
			BH551411	Tripod finished	1
			BH551410	Circlip	1
65.	36BH0035	Kit_rear wheel bearing ki	BF131723	Seal 41x60x7	1
			BF131722	Bearing 30x55x13	1
			59200012	Bearing - needle (sl 35 2	1
			22171007	Seal - oil	1
66.	36BH0036	Kit Boot (all)	BB133110	BOOT (K tek)	1
			BH551415	Boot Clamp Large	1
			BH551417	Boot Clamp Small	1
			BH551423	Grease	1
67.	36BH0037	Kit boot & retainer (All)	BB133110	Boot (K tek)	1
			BH551415	Boot clamp large	1
			BH551417	Boot clamp small	1
			BH551423	Grease	1
			BH551413	Retainer Sheet	1
			BH551414	Boot insert	1

BA - COMPACT
 BH - COMPACT+ / MAXIMA Z
 BB - MAXIMA
 AL - CARGO

KIT LIST



Sr. No.	Kit Part No.	Kit Description	Consisting of Following Parts		
			Part No.	Description	Qty./Kit
68.	36BH0039	Kit barshaft LH RE Compact + DSL	BH551418	Barshaft LH	1
			BH551410	Circlip	2
			BH551415	Boot clamp large	2
			BH551417	Boot clamp small	2
			BB133110	Boot	2
69.	36BH0040	Kit barshaft RH RE Compact + DSL	BH551419	Barshaft RH	1
			BH551410	Circlip	2
			BH551415	Boot clamp large	2
			BH551417	Boot clamp small	2
			BB133110	Boot	2
70.	36BH0048	TA with distnce piece & spacer bush LH	AZ122100	Assembly weld trailing arm LH	1
			BH122100	Assembly distance piece ta igus	1
			BH122024	Spacer bush trailing arm	2
71.	36BH0049	TA with distnce piece & spcer bush RH	AZ122101	Assembly weld trailing arm RH	1
			BH122100	Assembly distance piece TA igus	1
			BH122024	Spacer bush trailing arm	2
72.	36BH0009	Kit obj	BB133077	Obj tulip	1
			BH551415	Boot clamp large	1
			BH551417	Boot clamp small	1
			BH551423	Grease	1
73.	36AL0050	Front brake shoe kit maxima c	AL151240	Assembly brake shoe leading	1
			AL151241	Assembly brake shoe trailing	1
			AL151202	Pin shoe pivot	2
			AL151201	Spring shoe clamping	2
74.	36AL0051	Rear rh brake shoe kit maxima	AL151240	Assembly brake shoe leading	1
			AL151260	Shoe assy trailing w hbl RH	1
			AL151202	Pin shoe pivot	2
			AL151201	Spring shoe clamping	2
75.	36AL0052	Rear lh brake shoe kit maxima	AL151240	Assembly brake shoe leading	1
			AL151259	Shoe assy trailing w hbl LH	1
			AL151202	Pin shoe pivot	2
			AL151201	Spring shoe clamping	2

BA - COMPACT
 BH - COMPACT+ / MAXIMA Z
 BB - MAXIMA
 AL - CARGO

Part No.	Page No.	Figure No.
1100342	49	4
1160509	35	4
1160717	83	10
1180123	17	7
1180123	23	7
1190205	68	24
3100718	52	35
3150207	13	12a
3190204	35	5
3190204	68	22
3190206	68	23
5161256	94	19
6191089	67	8
6191089	67	14
6221028	86	30
6221028	88	30
15101011	12	3
18201044	103	13
18201044	104	5
19101016	15	7
19101017	15	8
19101018	15	9
19101019	15	10
19101020	15	11
20101020	14	13
20201029	104	7
21100711	17	11
21150306	45	4
21150422	63	5
21180307	60	17
21180308	60	18
22131014	18	10
22131014	19	10
22150507	65	10
22151067	65	19
22151068	45	1

Part No.	Page No.	Figure No.
22151106	50	10
22161221	77	12
22161221	104	15
22170115	51	5
22170118	51	10
22170434	50	18
22171007	49	6
22181058	60	16
24121476	25	9
24121477	36	17
24130111	18	12
24131032	18	8
24141153	36	20
24151061	65	8
24151067	65	11
24151068	65	12
24151087	64	2
24151090	64	4
24151092	64	7
24151093	64	8
24151094	64	3
24151097	64	9
24151098	64	10
24151107	55	19
24151108	56	20
24151113	56	21
24151114	56	22
24151163	55	18
24151164	55	18
24151168	55	7
24151170	55	13
24151171	56	25
24151172	55	11
24151173	55	12a
24151174	55	5
24151175	55	9

BA - COMPACT
 BH - COMPACT⁺ / MAXIMA Z
 BB - MAXIMA
 AL - CARGO

Part No.	Page No.	Figure No.
24151177	55	15
24151178	55	6
24151179	55	8
24151181	55	14
24151182	55	12
24151183	55	16
24151221	63	2
24151232	65	2
24151234	63	1
24151238	65	13
24151239	50	19
24151243	55	1
24151247	51	18
24151247	63	9
24151266	51	7
24151268	55	10
24151274	67	1
24151275	64	1
24151289	64	6a
24151290	64	5a
24151291	64	1a
24161176	62	14
24161352	90	37
24161368	69	2
24161371	69	3
24161373	69	6
24161443	60	11
24161446	80	10
24161492	69	6
24165116	77	1
24165132	77	14
24165214	77	3
24165214	77	20
24165230	80	8
24165273	83	17
24165274	83	16

Part No.	Page No.	Figure No.
24170431	29	7
24170507	46	8
24171014	43	4
24171024	49	3
24171066	43	16
24171075	50	12
24171117	52	32
24171118	49	1
24171129	51	19
24171138	51	20
24171179	47	1
24171180	47	2
24181046	59	10
24181047	60	12
24181067	68	25
24181161	60	24
24191098	67	13
24191101	67	15
24191105	67	20
24191120	74	26
24191180	74	23
24191184	67	9
24191185	67	11
24191187	67	18
24191197	74	19
24191207	74	24
24201476	104	20
24201477	104	21
24201484	103	16
24201485	103	14
24201486	103	15
24201487	103	10
24201488	103	11
24201499	104	22
24201502	103	18
24201503	103	19

BA - COMPACT
 BH - COMPACT⁺ / MAXIMA Z
 BB - MAXIMA
 AL - CARGO

Part No.	Page No.	Figure No.
24201504	103	22
24201515	105	16
24201523	103	20
24201525	78	20
24201564	32	7
24211017	91	8
24211026	91	2
24211028	91	1
24211029	93	5
24211037	91	15
24211037	93	17
24211048	91	5
24211050	91	6
24211056	91	8
24221047	91	13
24221049	83	21
24221050	83	21a
24230176	83	5
24230185	62	13
24230185	83	11
24230198	70	14
24230198	71	16
24230198	89	5
24231090	83	13
24231091	83	14
24231146	92	8
24231146	92	18
24231157	83	12
24231245	83	4
24231245	89	4
24231336	79	2a
24231475	78	19
24231475	102	48
24231499	83	6
24231615	78	5

Part No.	Page No.	Figure No.
24231616	78	6
24231620	95	1
24231625	78	9
24231630	83	7
24231641	78	4
24231666	79	3b
24231705	91	12
24231726	79	2
24231748	95	2
24231772	95	7
24231772	96	3
24231772	98	29
24231772	100	29
24231775	95	8
24231775	96	3
24231775	98	30
24231775	100	30
24231806	91	16
24231806	93	18
24231866	95	5
24231867	95	4
24231876	84	28
25231064	84	24
30101185	51	21
30121004	67	17
30151065	13	2
30151065	20	2
30201084	72	22
31201001	90	26
31201029	105	7
33141007	36	19
33141007	38	17
33141008	36	17
35161060	71	19
36244024	83	9
36244041	60	26

BA - COMPACT
 BH - COMPACT⁺ / MAXIMA Z
 BB - MAXIMA
 AL - CARGO

Part No.	Page No.	Figure No.
36244042	80	5
36244044	83	8
36244069	50	20
36244085	60	25
39007104	62	17
39007104	89	20
39011904	43	5
39014608	65	7
39014708	90	39
39015108	72	32
39019811	13	10
39019811	60	19
39019811	62	15
39019911	65	6
39020011	33	12
39020011	65	18
39020111	67	3
39021111	70	28
39021111	91	11
39021111	98	24
39021111	99	22
39021911	103	7
39023011	92	21
39023911	34	19
39023911	97	12
39023911	99	18
39024811	42	5
39025811	78	12
39025811	103	7
39026212	89	21
39026312	53	12
39026312	89	16
39026512	41	19
39026512	42	7
39026912	47	8
39028715	24	19

BA - COMPACT
 BH - COMPACT⁺ / MAXIMA Z
 BB - MAXIMA
 AL - CARGO

Part No.	Page No.	Figure No.
39029115	62	18
39029515	52	26
39029615	41	11
39029615	42	2
39029615	52	31
39029615	61	7
39029615	67	4
39029615	90	28
39031215	45	11
39031215	53	17
39032615	68	21
39032615	78	15
39034217	49	7
39037511	21	17
39039004	26	10
39042606	14	4
39043501	10	11
39045411	77	7
39045411	77	10
39046715	27	16
39046715	40	19
39046715	41	7
39046715	42	14
39052611	41	4
39054311	52	28
39064517	24	9
39066301	72	26
39069015	48	7
39069415	52	34
39069415	65	9
39070311	24	6
39070501	89	11
39071411	27	14
39071411	42	15
39073817	15	16
39075601	30	16

Part No.	Page No.	Figure No.
39076101	24	3
39078912	52	30
39078912	52	33
39078912	61	6
39079012	24	4
39079415	74	15
39080204	11	9
39080411	14	12
39081411	29	14
39081411	31	14
39081411	89	15
39081715	39	8
39081715	62	4
39084001	24	21
39087404	42	6
39090012	24	20
39092101	95	6
39093915	61	16
39094111	67	10
39096011	72	28
39099206	14	5
39101321	1	6
39104619	14	7
39105411	52	29
39105411	61	5
39105515	65	4
39106901	62	3
39107601	80	9
39107901	53	13
39118011	7	10
39118011	27	14
39118011	33	10
39118011	42	9
39118215	43	15
39119704	9	6
39121111	62	9

Part No.	Page No.	Figure No.
39121111	90	29
39122411	42	1
39132420	12	5
39135315	97	13
39135315	99	19
39137704	67	2
39138904	64	11
39139404	12	13
39139604	42	3
39142305	10	3
39142305	12	10
39143020	6	8
39143104	10	15
39143104	12	12
39143520	8	17
39143620	4	4
39144525	9	10
39148720	13	3
39149721	9	5
39149819	13	7
39149919	5	8
39150111	95	9
39150111	98	31
39152301	70	27
39153419	12	4
39153519	11	2
39153519	12	4a
39153721	13	12
39154704	8	20
39154905	21	5
39155204	34	3
39155204	90	30
39155204	98	23
39155604	25	13
39155604	26	8
39155604	34	6

BA - COMPACT
 BH - COMPACT⁺ / MAXIMA Z
 BB - MAXIMA
 AL - CARGO

Part No.	Page No.	Figure No.
39155604	39	16
39155604	92	12
39155604	92	20
39155604	93	4
39155604	93	9
39155804	8	6
39156015	21	16
39156121	7	6
39156221	1	12
39156221	8	8
39156221	12	17
39156221	20	6
39156221	24	15
39156421	8	10
39156421	61	13
39156706	24	8
39156806	21	2
39156906	1	7
39156906	8	3
39157006	6	5
39157006	102	47
39157104	24	17
39157104	33	9
39157217	16	21
39157311	7	19
39157815	24	11
39157915	8	21
39157915	33	8
39157915	39	13
39158015	7	9
39158115	7	8
39158211	10	13
39158511	12	19
39158511	13	16
39158511	20	12
39158721	13	8

BA - COMPACT
 BH - COMPACT⁺ / MAXIMA Z
 BB - MAXIMA
 AL - CARGO

Part No.	Page No.	Figure No.
39163505	1	13
39163505	34	10
39167204	93	2
39168004	1	14
39168004	7	14
39168004	22	22
39168004	22	28
39168004	77	13
39168004	104	11
39168606	9	18
39170207	65	5
39170415	70	21
39173719	53	3
39177304	28	11
39182612	16	25
39182612	34	20
39182712	27	15
39182712	41	5
39182712	42	13
39182812	10	14
39182812	27	15
39182812	33	11
39182812	42	8
39182812	65	17
39182912	41	12
39182912	42	4
39182912	45	14
39182912	53	15
39182912	62	5
39183012	62	16
39186002	72	27
39187411	15	15
39190204	89	17
39190701	72	24
39190701	77	11
39190701	85	13

Part No.	Page No.	Figure No.
39190701	101	19
39191204	29	10
39191304	29	11
39194304	13	20
39194404	62	8
39195104	86	23
39195804	16	24
39195804	97	11
39195804	97	20
39195804	100	26
39197015	10	16
39197015	11	10
39197015	12	11
39197015	20	13
39197015	27	16
39197015	34	11
39197015	92	14
39197215	92	19
39197215	93	7
39203804	53	10
39217924	72	31
39220307	3	8
39220804	68	26
39220804	105	14
39222204	65	14
39224020	53	4
39226405	39	17
39229515	91	3
39229515	106	5
39231704	7	12
39235717	51	15
39236220	51	3
39238315	93	11
39242411	62	6
39245401	69	13
39246417	53	7

Part No.	Page No.	Figure No.
39248415	75	19
39248415	91	7
39251604	61	4
39251704	27	17
39251704	42	16
39253404	54	19
39255020	51	2
39256611	48	5
39260607	2	20
39260715	46	7
39260715	46	16
39260715	47	7
39263101	106	16
39271115	87	22
39272711	89	9
52210040	84	23
52240645	78	1
52240668	89	1
52240669	89	6
52240748	85	5
52240760	83	15
52240764	45	7
52244040	62	1
59010005	77	9
59010007	70	26
59040014	25	11
59040048	9	21
59040048	13	17
59150003	51	8
59200012	49	5
59210023	8	11
59210023	9	2
60111420	31	3
76010936	2	24
52BA0283	83	2
BG581000	42	10

BA - COMPACT
 BH - COMPACT⁺ / MAXIMA Z
 BB - MAXIMA
 AL - CARGO

Part No.	Page No.	Figure No.
36244016	52	36
36244063	52	37
36AA4070	91	14
36AA4070	93	16
36AB4003	60	29
36AL0005	60	28
36AL0014	35	8
36AL0015	71	8
36AL0016	71	9
36AL0022	60	27
36AL0029	58	27
36AL0030	57	26
36AL0033	57	4
36AL0034	57	22
36AL0035	57	23
36AL0038	57	5
36AL0040	57	6
36AL0042	44	13
36AL0043	44	14
36AL0050	57	19
36AL0051	57	20
36AL0052	57	21
36AL0054	102	25
36AL0055	101	24
36BA4013	70	29
36BA4013	71	10
36BA4014	56	27
36BA4014	58	32
36BA4021	21	6
36BA4021	22	30
36BA4023	2	26
36BA4027	3	4
36BA4027	3	13
36BA4037	9	23
36BB0012	3	2
36BB0029	79	5

BA - COMPACT
 BH - COMPACT⁺ / MAXIMA Z
 BB - MAXIMA
 AL - CARGO

Part No.	Page No.	Figure No.
36BB0033	32	3
36BB0035	58	31
36BB0040	50	22
36BB0055	2	22
36BB0056	2	23
36BB0057	3	10
36BB0059	48	2
36BB0060	48	2a
36BH0008	44	9
36BH0009	44	9
36BH0010	44	10
36BH0011	44	10
36BH0019	44	15
36BH0030	44	11
36BH0031	44	12
36BH0035	50	21
36BH0036	44	7
36BH0037	44	8
36BH0039	44	13
36BH0040	44	14
36BH0048	48	1
36BH0049	48	1a
39042304	57	11
39042304	57	12
52AA0501	83	3
52AL0389	79	1c
52AL0390	89	7
52AL0391	89	6
52AL0392	101	1
52AL0393	75	1
52AL0394	57	10
52AL0395	101	2
52AL0396	89	8
52AZ0174	87	6
52AZ0175	87	1
52AZ0176	87	4

Part No.	Page No.	Figure No.
52AZ0177	87	5
52AZ0178	87	2
52AZ0180	87	3
52BA0386	83	1
52BA0388	79	1
52BB0075	62	1a
52BB0148	79	1b
52BB0285	89	2
52BH0056	85	2
52BH0057	85	11
52BH0058	85	3
52BH0060	85	1
52BH0098	79	1a
52BH0207	79	1a
52BH0209	87	8
52BH0210	87	7
AA231239	78	3
AA101721	43	2
AA101722	43	1
AA101747	74	14
AA141046	39	2
AA151039	63	7
AA151047	51	1
AA151049	51	6
AA151052	74	10
AA151053	74	9
AA161190	77	5
AA161191	77	6
AA161215	69	1
AA161218	70	22
AA161219	70	23
AA161225	70	15
AA161268	77	16
AA161269	77	17
AA161270	77	4
AA161290	70	30

Part No.	Page No.	Figure No.
AA161305	69	1
AA161307	69	4
AA161308	69	5
AA161309	69	2
AA161310	69	3
AA161327	70	22
AA161328	70	23
AA171006	47	3
AA171006	47	9
AA171011	47	6
AA171022	47	4
AA171024	47	5
AA171027	59	1
AA181022	59	3
AA181023	59	2
AA191032	67	19
AA201088	106	17
AA201090	104	23
AA201199	104	3
AA201201	104	4
AA201239	106	4
AA201262	103	9
AA201263	78	8
AA201264	103	6
AA201305	105	20
AA201341	69	8
AA201344	74	13
AA201363	35	3
AA221005	78	22
AA221006	78	21
AA231126	84	26
AA231223	78	10
AA231245	79	3
AB151049	63	3
AB151054	64	12
AB151072	64	6

BA - COMPACT
 BH - COMPACT⁺ / MAXIMA Z
 BB - MAXIMA
 AL - CARGO

Part No.	Page No.	Figure No.
AB151079	56	23
AB161182	62	2
AB171013	52	23
AB171014	52	24
AB171015	52	25
AB171016	51	16
AB171016	61	11
AB171017	52	27
AB171020	51	14
AB171022	51	12
AB171023	51	13
AB171031	51	17
AB171044	51	22
AB181012	59	4
AB181017	59	9
AB181019	59	8
AB181020	60	13
AB181022	60	15
AB181023	60	14
AB181033	59	5
AB201075	22	25
AB201076	105	6
AB201077	106	8
AF201094	106	6
AK201012	105	3
AL241788	76	23
AL101019	40	8
AL101020	42	17
AL101029	34	16
AL101030	34	17
AL101038	34	18
AL101053	90	24
AL103000	31	2
AL103003	31	5
AL121019	30	15
AL121019	31	17

BA - COMPACT
 BH - COMPACT⁺ / MAXIMA Z
 BB - MAXIMA
 AL - CARGO

Part No.	Page No.	Figure No.
AL121020	35	6
AL121060	27	3
AL121062	27	4
AL121068	27	6
AL121069	27	7
AL121070	27	5
AL121075	31	1
AL131055	19	8
AL131058	18	9
AL131058	19	9
AL131059	18	6
AL131074	12	18
AL131074	13	15
AL131076	20	5a
AL131081	15	17
AL131127	19	11
AL133000	1	2
AL133003	44	2
AL133004	44	1
AL141048	35	1c
AL141054	36	18
AL141054	38	12
AL141058	36	16
AL151004	53	2
AL151005	53	5
AL151007	53	6
AL151008	53	8
AL151011	53	14
AL151012	53	11
AL151017	45	3
AL151019	45	6
AL151052	56	24
AL151053	56	26
AL151054	55	17
AL151089	53	9
AL151138	65	16

Part No.	Page No.	Figure No.
AL151194	57	13
AL151205	57	25
AL151211	57	15
AL151220	63	2
AL151222	74	9
AL151223	74	10
AL151231	57	24
AL151235	57	1
AL151236	57	1
AL151237	57	3
AL151238	57	2
AL151242	50	10a
AL151242	53	1a
AL151243	54	20
AL151246	45	9
AL151249	49	1b
AL151252	45	12
AL151254	50	15
AL151263	54	22
AL161069	79	2c
AL161152	77	12
AL161184	72	29
AL161185	72	30
AL161186	72	33
AL161226	89	18
AL161229	89	19
AL161236	77	8
AL161247	40	14
AL161249	40	3
AL161251	40	7
AL161252	40	2
AL161253	40	15
AL161273	105	1a
AL161302	40	13
AL161362	70	20
AL161377	89	14

Part No.	Page No.	Figure No.
AL161381	72	23
AL161382	71	2
AL161390	71	3
AL161392	79	2b
AL161502	69	5
AL161503	69	4
AL161505	40	5
AL161509	85	12
AL161509	87	19
AL161661	75	6
AL161662	102	32
AL161705	75	11
AL161706	75	12
AL161744	76	30
AL161775	40	1
AL171011	48	16
AL171017	48	6
AL171045	61	2
AL171051	61	15
AL171053	58	28
AL171058	61	3
AL171066	50	17
AL171081	61	12
AL171091	61	9
AL171093	61	8
AL171095	61	10
AL171104	61	14
AL171138	46	9
AL171139	61	1
AL171150	46	11
AL171153	48	9
AL171158	48	3
AL181003	59	5
AL181004	59	3
AL181005	59	6
AL181006	59	2

BA - COMPACT
 BH - COMPACT⁺ / MAXIMA Z
 BB - MAXIMA
 AL - CARGO

Part No.	Page No.	Figure No.
AL181007	59	4
AL181009	59	9
AL181041	79	4
AL191028	71	6
AL191039	70	16
AL191039	71	12
AL191060	73	7
AL191062	73	2
AL191063	73	6
AL191065	73	1
AL191070	73	5
AL191076	73	4
AL191077	73	3
AL191081	74	12
AL191082	74	11
AL201012	105	21
AL201031	106	7
AL201034	38	15
AL201039	105	10
AL201060	106	2
AL201062	106	3
AL201070	106	15
AL201078	71	11
AL201082	105	2
AL201100	70	19
AL201100	71	15
AL201119	103	1
AL201120	103	2
AL201127	82	12
AL201145	81	3
AL201146	81	2
AL211017	92	17
AL211019	92	15
AL221036	90	34
AL221037	90	36
AL221038	90	35

BA - COMPACT
 BH - COMPACT⁺ / MAXIMA Z
 BB - MAXIMA
 AL - CARGO

Part No.	Page No.	Figure No.
AL221040	90	33
AL230012	90	43
AL241023	78	7
AL241189	102	44
AL241220	102	27
AL241221	102	26
AL241277	90	27
AL241344	75	13
AL241395	102	37
AL241405	89	10
AL241442	101	3
AL241445	75	2
AL241446	75	3
AL241455	101	12
AL241456	101	14
AL241457	101	16
AL241465	101	15
AL241474	101	13
AL241475	102	36
AL241477	101	17
AL241478	101	18
AL241479	102	34
AL241480	102	35
AL241481	102	38
AL241482	101	11
AL241577	75	9
AL241578	75	7
AL241603	102	29
AL241606	102	31
AL241609	102	28
AL241614	102	30
AL241662	88	38
AL241662	102	33
AL241679	75	10
AL241689	101	6
AL241690	101	5

Part No.	Page No.	Figure No.
AL241691	101	8
AL241692	101	7
AL241693	101	4
AL241695	101	10
AL241696	101	9
AL241697	75	8
AL241700	101	23
AL241701	101	22
AL241761	76	31
AL241767	80	6
AL241769	79	2d
AL241774	101	20
AL241775	101	21
AL241784	79	3c
AL241785	75	20
AL241786	75	21
AL241787	75	22
AL241789	76	24
AL241790	76	25
AL241791	76	26
AL241792	76	27
AL241796	76	32
AL241803	102	46
AL241804	102	45
AL241811	76	28
AL241817	76	29
AN131007	13	13
AN151003	74	9
AN151004	74	10
AN161048	32	9
AN161074	32	4
AN161075	32	6
AN161086	72	25
AN211001	92	16
AP111023	14	11
AP111023	106	11

Part No.	Page No.	Figure No.
AP121064	27	10
AP121074	20	8a
AP151002	53	2
AP151017	55	4
AP151025	53	5
AP151031	54	18
AP161047	67	5
AP201037	105	1
AP201058	105	12
AT111042	105	1b
AT213001	96	2
AT213001	98	28
AY141202	43	3
AZ122005	47	3
AZ122005	48	16
AZ122007	47	4
AZ122008	46	1
AZ122009	46	2
AZ122016	47	6
AZ131004	45	8
AZ131803	66	1
AZ131805	66	9
AZ131807	66	11
AZ131809	63	2
AZ181004	88	43
AZ181005	88	45
AZ181006	88	44
AZ181007	88	46
AZ181401	87	21
AZ182401	88	40
AZ182402	88	39
AZ182403	88	42
AZ185005	30	18
AZ185006	30	20
AZ185007	29	12
AZ185008	77	1a

BA - COMPACT
 BH - COMPACT⁺ / MAXIMA Z
 BB - MAXIMA
 AL - CARGO

Part No.	Page No.	Figure No.
AZ185010	77	1a
AZ186001	100	28
AZ191005	93	5a
AZ211093	99	1
AZ211094	99	2
AZ211098	99	3
AZ211188	100	27
AZ213011	99	5
AZ213025	99	8
AZ213026	99	9
AZ213027	99	10
AZ213028	99	13
AZ213030	99	4
AZ213031	99	11
AZ213045	99	14
AZ213046	99	15
AZ213047	99	12
AZ213050	99	6
AZ213051	99	7
AZ213054	99	16
AZ231000	86	31
AZ231000	88	31
AZ231005	88	31
AZ233006	85	9
AZ233007	85	9
AZ233008	77	18
AZ233009	77	19
AZ241029	88	36
AZ241031	88	37
AZ241039	88	32
AZ242002	88	34
AZ242003	88	35
AZ242004	88	33
AZ244034	87	9
AZ244035	87	10
AZ401001	104	3

BA - COMPACT
 BH - COMPACT⁺ / MAXIMA Z
 BB - MAXIMA
 AL - CARGO

Part No.	Page No.	Figure No.
AZ401002	104	4
AZ402403	69	7
AZ581018	29	9
AZ581021	29	8
BA100300	1	15
BA102003	2	17
BA102004	8	2
BA102005	8	5
BA102006	1	4
BA102007	8	4
BA102008	1	5
BA102009	1	8
BA102017	21	7
BA102018	22	27
BA102019	21	8
BA102020	21	9
BA102021	21	3
BA102022	21	10
BA102023	21	4
BA102025	21	18
BA102026	21	19
BA102027	21	20
BA102033	23	3
BA102034	23	4
BA102036	23	6
BA102038	1	9
BA102038	8	7
BA102038	12	16
BA102038	20	5
BA102038	24	14
BA102042	24	16
BA102043	24	2
BA102046	24	12
BA102047	24	10
BA102048	4	6
BA102054	4	2

Part No.	Page No.	Figure No.
BA102055	4	5
BA102062	3	5
BA102064	3	9
BA102068	5	2
BA102071	5	5
BA102072	5	6
BA102076	8	18
BA102077	8	15
BA102078	8	16
BA102080	1	10
BA102084	9	9
BA102087	6	2
BA102088	25	1
BA102090	25	3
BA102096	25	10
BA102099	5	7
BA102099	10	5
BA102099	34	4
BA102100	34	7
BA102113	9	20
BA102118	5	11
BA102126	5	10
BA102127	9	7
BA102129	4	3
BA102130	5	9
BA102131	8	5
BA102132	8	5
BA102146	20	9
BA102147	20	8
BA102147	24	13
BA102158	41	1
BA102159	41	2
BA102160	41	13
BA102164	41	8
BA102174	3	9
BA102175	5	12

Part No.	Page No.	Figure No.
BA102186	7	17
BA102187	7	18
BA102207	20	10
BA102215	34	13
BA102216	34	12
BA102222	25	2
BA102233	41	18
BA102235	25	7
BA102244	22	29
BA102254	24	18
BA102255	8	19
BA102259	24	1a
BA102263	24	7
BA102264	24	1
BA102267	24	5
BA102270	21	12
BA102277	22	23
BA102279	23	5
BA102290	8	1
BA102292	25	15
BA102293	9	8
BA102301	23	1
BA102303	23	12
BA102304	5	4
BA102305	25	6
BA102309	5	3
BA103009	26	7
BA103012	25	4
BA103017	39	18
BA103022	39	19
BA103024	39	1a
BA103027	28	13
BA103031	39	20
BA103032	21	21
BA103035	28	9
BA103037	28	7

BA - COMPACT
 BH - COMPACT⁺ / MAXIMA Z
 BB - MAXIMA
 AL - CARGO

Part No.	Page No.	Figure No.
BA103041	9	19
BA103043	9	22
BA103044	26	1
BA103045	26	2
BA103047	26	3
BA103048	26	5
BA103049	26	4
BA103320	1	1
BA103322	33	15
BA103323	33	3
BA103326	33	1
BA111006	21	15
BA111006	22	26
BA111016	34	14
BA111023	34	2
BA122002	25	14
BA122003	37	7
BA122011	39	10
BA122012	39	11
BA122013	39	12
BA122014	39	15
BA122029	6	3
BA122030	6	4
BA122032	6	6
BA122034	6	18
BA122041	6	9
BA122044	6	16
BA122047	7	4
BA122048	7	5
BA122049	7	7
BA122050	7	11
BA122051	7	2
BA122052	7	3
BA122062	28	8
BA122071	26	6
BA122072	37	1

BA - COMPACT
 BH - COMPACT⁺ / MAXIMA Z
 BB - MAXIMA
 AL - CARGO

Part No.	Page No.	Figure No.
BA122075	26	9
BA122086	37	11
BA122134	37	2
BA122135	37	3
BA122135	37	3
BA122137	37	4
BA122139	37	5
BA122140	37	6
BA122140	37	6
BA122142	37	8
BA122143	9	16
BA122143	35	12
BA122143	37	9
BA122180	28	5
BA122181	28	6
BA122182	28	12
BA122184	28	14
BA122204	9	4
BA122205	9	3
BA122216	7	13
BA122229	28	1
BA132012	12	9
BA132017	11	8
BA132019	74	16
BA132045	17	4
BA132064	13	5
BA132088	17	10
BA132088	15	12
BA132095	10	12
BA132104	10	8
BA132116	15	14
BA132121	13	18
BA132122	10	2
BA132122	12	2
BA132122	20	7
BA132134	12	6

Part No.	Page No.	Figure No.
BA132141	14	17
BA132179	12	14
BA132185	11	5
BA132189	13	15a
BA132211	11	6
BA132244	11	4
BA132246	11	3
BA132272	10	7
BA133016	12	1
BA133018	20	1
BA133031	18	3
BA133032	18	1
BA133033	16	22
BA133039	10	10
BA133040	10	9
BA133050	1	2
BA133052	43	7
BA133055	43	6
BA133057	43	8
BA133058	43	11
BA133059	43	12
BA133060	43	13
BA133061	43	14
BA133062	43	10
BA133064	43	9
BA133065	10	10
BA141013	35	2
BA141017	9	14
BA141017	35	11
BA141017	37	10
BA141029	38	13
BA141030	36	18
BA141030	37	12
BA141033	39	3
BA141034	38	20
BA141041	35	1

Part No.	Page No.	Figure No.
BA141067	35	14
BA161030	40	20
BA161031	41	6
BA161146	105	17
BA161167	41	14
BA161195	41	3a
BA161202	69	10
BA171005	46	2
BA171007	46	4
BA171007	46	12
BA171008	46	3
BA171009	46	1
BA181021	67	7
BA181022	67	12
BA191031	74	18
BA191032	74	17
BA191084	73	2
BA191085	74	11
BA191086	74	12
BA191090	73	1
BA191092	73	5
BA191093	73	7
BA191097	73	6
BA201001	32	1
BA201006	25	12
BA201006	34	5
BA201006	34	9
BA201007	13	22
BA201017	105	8
BA201082	9	11
BA201082	106	9
BA201093	106	14
BA201120	106	13
BA201186	69	7
BA201195	69	11
BA201196	81	1

BA - COMPACT
 BH - COMPACT⁺ / MAXIMA Z
 BB - MAXIMA
 AL - CARGO

Part No.	Page No.	Figure No.
BA201197	81	8
BA201201	81	3
BA201203	81	2
BA210014	91	9
BA220003	84	22
BA220006	84	27
BA231013	28	10
BA231164	91	9
BA231166	95	3
BA231167	95	3
BA231168	95	3
BA250004	79	4
BB151026	63	7
BB100902	1	16
BB101090	21	11
BB101110	2	18
BB101165	3	6
BB101168	3	7
BB101170	3	12
BB101171	7	15
BB101172	8	14
BB101173	8	13
BB101176	22	21a
BB103006	9	12
BB103007	9	13
BB103008	1	10b
BB103010	8	12
BB103011	9	1
BB103019	22	24
BB103030	7	1
BB103043	39	6
BB103044	39	7
BB103045	39	7
BB103046	21	13
BB103052	4	1
BB103054	27	9

BA - COMPACT
 BH - COMPACT⁺ / MAXIMA Z
 BB - MAXIMA
 AL - CARGO

Part No.	Page No.	Figure No.
BB103055	27	13
BB103055	28	2
BB103056	23	8
BB103057	23	9
BB103058	25	8
BB103061	6	1
BB103069	23	10
BB103071	8	9
BB103084	9	14
BB103101	27	1
BB103125	39	7
BB103132	39	7
BB103320	1	1
BB103322	3	3
BB103323	3	1
BB103330	5	1
BB103332	1	3
BB103337	21	1
BB103340	4	7
BB103343	39	14
BB103348	33	17
BB103349	33	5
BB103351	9	23
BB103352	9	13
BB103353	9	12
BB103355	9	19
BB103356	33	1b
BB103357	33	2
BB103358	33	6
BB103368	33	7
BB103372	3	11
BB103373	1	3
BB103379	7	16
BB103382	33	4
BB103389	2	21
BB103398	81	5

Part No.	Page No.	Figure No.
BB103406	7	16
BB109025	20	14
BB111009	105	9
BB111009	21	14
BB111014	34	1
BB121029	27	8
BB121043	37	1
BB121047	37	4
BB121048	37	5
BB121049	37	2
BB121050	37	11
BB121080	6	7
BB121082	6	10
BB121083	6	12
BB121084	6	13
BB121085	6	14
BB121094	39	9
BB121097	6	17
BB121099	39	5
BB121107	29	5
BB121108	29	8
BB121111	29	4a
BB121112	29	3
BB121113	29	1
BB122222	9	15
BB122223	9	17
BB122224	27	11
BB122226	39	1a
BB122228	39	1
BB131040	30	17
BB131040	31	16
BB131136	11	1
BB131138	11	7
BB131161	14	21
BB131166	12	15
BB132003	10	1

Part No.	Page No.	Figure No.
BB132009	20	1
BB133003	16	26
BB133004	15	18
BB133005	16	19
BB133006	16	20
BB133010	17	1
BB133013	15	1
BB133015	15	3
BB133016	15	4
BB133017	15	5
BB133018	15	6
BB133022	13	1
BB133025	12	1
BB133026	15	13
BB133041	14	15
BB133042	14	14
BB133044	17	9
BB133049	14	6
BB133050	14	19
BB133051	14	9
BB133052	19	2
BB133055	19	4
BB133062	17	8
BB133066	50	13
BB133068	17	3
BB133082	13	6
BB133084	17	2
BB133093	15	7
BB133097	19	1
BB133098	16	22
BB133099	19	3
BB133114	14	2
BB133115	14	1
BB133124	14	20
BB133130	17	6
BB133132	17	5

BA - COMPACT
 BH - COMPACT⁺ / MAXIMA Z
 BB - MAXIMA
 AL - CARGO

Part No.	Page No.	Figure No.
BB133311	10	6
BB133312	15	2
BB133313	15	3
BB133314	15	5
BB133316	15	4
BB133317	16	26
BB133318	16	20
BB141024	36	18
BB141024	37	12
BB141033	38	13
BB141038	39	4a
BB141077	36	14
BB151001	65	15
BB151030	49	2a
BB151031	49	4b
BB151034	49	3b
BB151052	60	24
BB151062	57	8
BB151063	57	9
BB151064	57	7
BB151073	63	1
BB151075	65	1
BB151091	63	2
BB161048	80	11
BB161096	77	5
BB161097	77	6
BB161100	71	18
BB161101	71	17
BB161107	60	22
BB161123	71	1
BB161124	71	1
BB161130	72	21
BB161171	89	3
BB161182	104	16
BB161184	104	17
BB161204	90	38

Part No.	Page No.	Figure No.
BB161244	85	18
BB161244	88	24
BB161245	85	19
BB161245	88	25
BB161252	105	18
BB161289	48	6
BB161306	40	4
BB171032	61	2
BB171036	46	6
BB171036	46	15
BB171038	46	10
BB171040	46	9
BB171041	46	10
BB171051	48	2
BB171052	48	2a
BB171055	48	13
BB171056	48	14
BB181010	59	7
BB181011	79	4
BB181012	59	1b
BB181034	59	10
BB181035	59	9
BB181036	59	8
BB181037	59	4
BB181038	79	4
BB191038	73	2
BB191051	73	5
BB191054	73	3
BB191055	73	4
BB191058	74	12
BB191059	74	11
BB201022	105	19
BB201070	103	5
BB201078	103	3
BB201079	103	4
BB201100	71	5

BA - COMPACT
 BH - COMPACT⁺ / MAXIMA Z
 BB - MAXIMA
 AL - CARGO

Part No.	Page No.	Figure No.
BB201101	81	1
BB201103	81	3
BB201104	104	1
BB201105	104	2
BB201106	81	4
BB201107	81	2
BB201109	104	8
BB201110	104	9
BB201113	81	1
BB201120	71	5
BB211010	92	3
BB211012	92	2
BB211014	92	1
BB211016	92	16
BB211019	92	4
BB211022	92	22
BB221004	87	13
BB221004	92	6
BB221004	93	13
BB221005	90	40
BB221008	90	41
BB221015	62	13
BB221017	78	26
BB221018	78	25
BB221023	90	31
BB221024	90	32
BB231131	92	13
BB231220	92	7
BB231227	92	11
BB231229	92	4
BB231232	92	5
BB231268	92	10
BB231269	92	9
BB231337	96	1
BB231338	96	4
BB231369	89	12

Part No.	Page No.	Figure No.
BB231370	89	13
BB231506	96	4
BB231658	90	46
BB231659	90	45
BB231698	90	44
BB231699	90	42
BF121428	45	5
BF122056	46	13
BF131486	45	11
BF131486	54	17
BF131707	50	11
BF131710	50	19
BF131722	49	4a
BF131723	49	3a
BF131904	58	30
BF131905	58	29
BF161137	66	6
BF161138	66	8
BF161175	66	7
BF185019	62	10
BF241152	88	41
BF551613	12	7
BF551613	20	4
BG113804	63	8
BG581404	31	13
BG581405	31	12
BG113403	42	20
BG131802	73	8
BG171006	35	1b
BG171800	36	15
BG171803	38	16
BG171804	39	4
BG171805	35	13
BG221003	85	17
BG221003	88	23
BG233002	77	2

BA - COMPACT
 BH - COMPACT⁺ / MAXIMA Z
 BB - MAXIMA
 AL - CARGO

Part No.	Page No.	Figure No.
BG351601	34	15
BG351602	34	8
BG351603	34	8
BG403206	105	5
BG501004	1	10a
BG501006	1	11
BG541200	2	18
BG541201	2	19
BG551613	18	2
BG551614	18	7
BG551615	18	5
BG551615	19	5
BG551618	18	4
BG552600	13	4
BG581000	27	1
BG581006	27	2
BG581400	31	9
BG581401	31	11
BG581402	31	10
BG581404	29	13
BH111056	60	21
BH111071	78	16
BH111088	77	15
BH111092	105	13
BH111116	80	7
BH111131	32	2
BH113407	42	11
BH113408	42	11
BH113409	42	12
BH113409	42	19
BH113410	42	12
BH113411	41	3
BH113411	42	18
BH113417	42	21
BH121002	60	23
BH121004	61	1

BA - COMPACT
 BH - COMPACT⁺ / MAXIMA Z
 BB - MAXIMA
 AL - CARGO

Part No.	Page No.	Figure No.
BH121005	61	2
BH122000	46	2
BH122002	48	3
BH122025	48	8
BH122026	48	12
BH122028	48	15
BH122030	48	11
BH122039	47	1a
BH122040	47	2a
BH122048	47	1a
BH122049	47	2a
BH131002	45	8
BH131006	55	1
BH131010	45	2
BH131011	54	21
BH131023	50	10
BH131024	53	5
BH131203	49	2
BH131204	49	1a
BH131206	45	16
BH131211	45	15
BH131212	55	3
BH131213	55	2
BH131217	49	1a
BH131220	49	2
BH131403	45	20
BH131404	45	18
BH131405	45	19
BH131407	45	17
BH131600	53	8
BH131802	63	2
BH131803	64	12
BH131804	63	7
BH131809	53	1
BH131817	62	12
BH141224	44	2

Part No.	Page No.	Figure No.
BH141225	44	1
BH151007	59	2
BH151008	59	6
BH151009	59	7
BH151064	59	1a
BH151065	60	14
BH151066	60	15
BH161017	65	21
BH161019	65	1
BH161027	65	3
BH161202	74	11
BH161203	74	12
BH161211	73	5
BH161214	74	9
BH161215	74	10
BH161216	73	7
BH161221	74	22
BH161223	73	6
BH161224	73	1
BH161225	70	18
BH161225	71	14
BH161226	70	17
BH161226	71	13
BH161229	73	2
BH161232	73	1
BH161234	73	2
BH161235	73	6
BH161236	74	11
BH161237	73	7
BH161240	74	12
BH161241	73	3
BH161242	73	4
BH171007	35	1a
BH171601	35	7
BH171602	35	7
BH171810	38	13

Part No.	Page No.	Figure No.
BH171813	36	15
BH171816	38	12
BH171818	36	18
BH171821	38	13
BH171824	38	16
BH171827	36	14
BH171830	35	14
BH181203	69	10
BH181204	81	6
BH181401	85	14
BH181402	85	15
BH181402	87	20
BH181405	85	20
BH181405	88	26
BH181406	85	21
BH181406	88	27
BH184000	78	2
BH184601	78	23
BH184602	78	24
BH185001	30	18
BH185002	30	20
BH185003	29	12
BH191009	93	8
BH191019	93	6
BH191022	93	10
BH191032	91	4
BH191032	93	3
BH191052	93	1
BH191062	93	15
BH191063	93	8a
BH191067	93	10a
BH191075	93	1a
BH211051	86	29
BH211057	86	28
BH211077	79	3a
BH211158	85	10

BA - COMPACT
 BH - COMPACT⁺ / MAXIMA Z
 BB - MAXIMA
 AL - CARGO

Part No.	Page No.	Figure No.
BH211158	87	17
BH211163	85	8
BH211163	87	16
BH211165	85	7
BH211165	87	15
BH213006	97	17
BH213007	97	18
BH213009	97	1
BH213012	98	27
BH213021	97	5
BH213025	97	4
BH213028	97	6
BH213039	97	10
BH213040	97	8
BH213044	97	14
BH213045	97	16
BH213049	97	3
BH213050	97	7
BH213051	97	9
BH213052	97	2
BH232604	79	4
BH232605	79	4
BH233012	86	32
BH241400	85	4
BH241402	85	6
BH241800	85	16
BH401004	104	10
BH401005	104	12
BH401006	104	12
BH401016	104	10
BH401400	13	11
BH401400	106	10
BH401401	106	1
BH402220	105	15
BH402235	81	2
BH402236	81	1

BA - COMPACT
 BH - COMPACT⁺ / MAXIMA Z
 BB - MAXIMA
 AL - CARGO

Part No.	Page No.	Figure No.
BH402237	81	2
BH402239	81	3
BH402242	81	1
BH402243	81	3
BH402602	69	12
BH402607	35	3
BH501022	1	1
BH551004	1	2
BH551400	11	1
BH551402	11	7
BH551403	11	8a
BH551404	13	19
BH551409	44	6
BH551420	44	4
BH551421	44	5
BH551614	19	3
BH551615	19	7
BH551616	19	6
BH551617	19	1
BH551618	16	22
BH551800	44	3
BH552005	12	1
BH581005	29	5
BH581010	29	6
BH581015	29	4
BH581016	29	2
BH581021	29	1
BH581023	29	4
BH581024	29	5
BH581027	29	9
BH581028	29	8
BH591004	33	16
BH591005	33	1a
BH611400	6	1
CE181015	70	25
CL201023	103	8

Part No.	Page No.	Figure No.
CM191049	67	16
CM201054	69	9
CM201054	106	12
DG141019	90	25
DG201084	105	4
DH101379	102	40
DJ201072	104	13
DL191020	69	9
DP121025	31	7
DS121126	31	6
DS161125	62	11
EC131835	63	6
GH201012	104	6
JA581012	31	8
JD401032	103	12
JG122012	48	10
JG581015	30	19
KAAD0520	60	20
KAAD0525	60	20
KAAD0620	41	17
KAAA0514	62	17
KAAA0516	78	14
KAAA0518	35	4
KAAA0518	75	4
KAAA0525	78	11
KAAA0620	97	19
KAAA0825	75	18
KAAA0825	98	25
KAAA0825	100	24
KAAA0830	75	15
KAAA0860	8	20
KAAG0870	83	20
KAAG0885	83	19
KADA0512	78	17
KADA0612	74	25
KADA0612	102	41

Part No.	Page No.	Figure No.
KADA0614	32	8
KADA0614	81	7
KADA0620	25	5
KADA0812	81	9
KADA0814	104	18
KADB0612	62	8
KADD0516	14	16
KADD0670	13	14
KADD0612	77	13
KADD0612	87	14
KADD0614	14	8
KADD0616	38	18
KADD0616	40	17
KADD0620	27	12
KADD0620	28	3
KADD0625	14	10
KADD0630	25	16
KADD0630	93	14
KADD0660	28	4
KADD0670	14	3
KADD0816	35	10
KADD0820	35	10a
KADD0825	33	13
KADD0825	38	14
KADD0830	33	14
KADD0840	10	17
KADD0845	10	18
KADD1020	40	16
KADD1020	41	20
KADD1030	63	4
KADD1030	64	11
KADD1250	40	6
KADE0835	13	23
KADE0850	13	21
KADF0625	31	15
KADF0816	87	11

BA - COMPACT
 BH - COMPACT⁺ / MAXIMA Z
 BB - MAXIMA
 AL - CARGO

Part No.	Page No.	Figure No.
KADG1085	40	10
KADS0510	105	11
KAED0622	2	25
KAED0816	38	19
KAEH0622	97	15
KBBA0406	51	11
KBBA0525	70	24
KBBA0650	31	4
KBBC0516	102	43
KBCA0410	49	9
KBCA0410	51	9
KBCA0614	49	9
KBCA0816	75	14
KBCD0430	71	7
KBQA4213	99	20
KBRA4219	104	19
KBRA4819	95	10
KBRA4819	98	32
KBRB3525	103	17
KBRC3516	103	21
KBUA0614	99	21
KBUA0620	99	17
KBUC0410	67	6
KBUC0516	87	18
KBUC0614	87	12
KBUC0614	94	22
KCAA0504	62	18
KCAA0504	89	22
KCAA0605	74	20
KCAA0605	86	24
KCAD0504	84	25
KCAD1008	46	14
KCAD1411	46	5
KCBD1006	46	14a
KCEA0605	91	18
KCEA0605	94	21

BA - COMPACT
 BH - COMPACT⁺ / MAXIMA Z
 BB - MAXIMA
 AL - CARGO

Part No.	Page No.	Figure No.
KCGA0505	78	13
KCGA0505	86	22
KCGA0505	88	28
KCGA0606	91	10
KCGA0808	66	10
KCGA1010	40	12
KCGC0606	91	17
KCGC0606	94	23
KCGD0606	32	5
KCGD0606	104	14
KCGD0808	35	9
KCGF0606	102	42
KCGF0808	76	33
KCHA0507	75	5
KCHA0809	75	16
KCHA1417	47	7
KCHA1417	48	4
KCHC1417	46	5
KCHC1417	48	4
KCKA0609	98	22
KCKA0811	98	26
KCKA0811	100	25
KCKC0811	40	22
KDAA1222	74	21
KDAB0816	86	25
KDAB1018	83	18
KDBA0613	41	15
KDBA1022	41	9
KDBA1226	40	18
KDBA1632	50	16
KDBB0512	70	31
KDBB0818	75	17
KDBB0818	91	19
KDBB0818	94	20
KDBB1022	97	21
KDBB1022	100	23

