

BAJAJ  
*pulsar* DTS-i  
150  
UG, BS IV



BAJAJ  
*pulsar* DTS-i  
150  
UG, BS IV

Bajaj Auto Limited  
Akurdi, Pune - 411 035, India.  
Tel : +91 20 27472851  
Fax : +91 20 27407385  
Toll Free : 1800 233 2453  
Website : [www.bajajauto.com](http://www.bajajauto.com)  
CIN L65993PN2007PLC130076

# Spare Parts Catalogue



## Notice

---

All information contained in this manual is based on the latest product information at the time of publication. Bajaj Auto Limited accepts no liability for any inaccuracies or omissions in this publication, although every possible care has been taken to make it as complete and accurate as possible. All procedures and specifications subject to change without prior notice. The right is reserved to make such changes at any time without prior notice and without incurring an obligation to make such changes to product manufactured previously. Contact your authorized Bajaj Dealer for the latest information on product improvements incorporated after this manual was issued.

**DOC. NO.: 71112655**

**REV. 07, AUG 17**

Copy rights : All rights reserved. No part of this publicatin may be reproduced, stored in a retrival system, Or transmitted in any form or by any means, electronic mechanical photocopying, recording or otherwise, without the prior written permission of Bajaj Auto LTD.

---

We have pleasure in presenting the Spare Parts Catalogue for 'Pulsar 150 BS IV' Motorcycle. This catalogue has been specially designed to assist you in selecting the correct parts for procurement to maintain 100% availability.

The Bajaj spares are subjected to the stringent quality control standards to ensure longer life of the vehicle. It is therefore necessary that only the Genuine Bajaj Spares are used.

In a continual effort to improve Performance and Efficiency of the vehicles, Specifications, Diagrams, Illustrations and Part Numbers can change without notice. Consequently, the description in this Spare Parts Catalogue cannot therefore be final and binding on us.

The modifications / alterations which are carried out after the issue of this catalogue, will be conveyed to you through our Service Circulars. You are requested to make necessary corrections in the Parts Catalogue as per the circulars so as to keep your catalogue up-to-date. This will ensure the appropriate and speedy delivery of the Spare Parts as the order placed will bear the latest part numbers.

In case, if you need any technical assistance contact the concerned Regional Office or write to us on the following address :

**Bajaj Auto Limited**  
**Service Department**  
Akurdi, Pune 411 035 India

**1. How to Read the Catalogue :** Open the catalogue and from the pictorial index locate the group in which the part you want to find is present. Turn over to the concerned page number (as given by pictorial index). Now find out the figure of the part you wish to order. Write down the part number against that particular figure number from the text.

In case, if you have the part number and you need the other details, the part index can be used. The part index (at the end of the catalogue) will give you the figure and page number of the part you wish to order.

**2. How to Order Spare Parts :** The part number and the description of the part required should be invariably mentioned in the order as per the catalogue text.

The latest part number as conveyed through our service circulars should only appear on the order. In case of ordering painted components, colour shade of the components should be mentioned.

The quantity shown against the part number is the quantity per vehicle for that group so that particular quantity should be multiplied by the number of sets required.

**3. Part Number System :** We have used 8 digit system for part numbers. The model or hardware item is indicated by first two digits or alphanumeric, the next two or four digits indicate main group and the last four or two digits indicate serial number in main group or serial number or subgroup of fastener respectively. Thus the part numbers will be indicated by 2-2-4 or 2-4-2 digit system. Understanding this system will enable you to identify the spare parts easily.

**4. Abbreviations :** The following abbreviations are used in this catalogue.

Assly	Assembly	V	Volts
N.I.	Not illustrated	W	Watts
C'case	Crankcase	Accl.	Accelerator
Cyl	Cylinder	Comp.	Complete
O/s	Over size	Fr.	Front
Rr.	Rear	Std.	Standard
L	Length	A/t.	Alternate
R.H.	Right hand	L.H.	Left hand
Hex.	Hexagonal	AR	As required





Plate No.	Description	Page No.
1	Cover Cylinder Head	2
2	SAI System	4
3	Cylinder Head	6
4	Valve	8
5	Camshaft & Tensioner	10
6	Cylinder & Piston	12
7	Crankshaft	14
8	Transmission	16
9	Balancer & Balancer Idler Gear	18
10	Change Drum & Shaft Fork	20
11	Gear Change Mechanism	22
12	Engine Assembly & Crankcase RH	24
13	Crankcase LH	26
14	Cover RH	28
15	Cover Magneto	30
16	Clutch Assembly	32
17	Oil Pump Assembly	34
18	Carburettor Assembly	36
19	Kick Starter Mechanism	38
20	Silencer Assembly	40
21	Air Cleaner Complete	42
22	EVAP Mechanism	44
23	Magneto, CDI & H.T. Coil	46
24	Starter Assembly (For Self Start)	48
25	Frame and Frame Fittings	50
26	Engine Mountings	52
27	Swing Arm with NRB / Rear Shock Absorber	54
27A	Swing Arm with Bush / Rear Shock Absorber	54A
28	Pillion Foot Rest / Holder	56

Plate No.	Description	Page No.
29	Rider Foot Rest	58
30	Mudguard - Front & Rear	60
31	Center & Side Stand Assembly	62
32	Tube / Tyre / Rim	64
33	Front Wheel Assembly	66
34	Front Master Cylinder Assembly	68
35	Front Brake - Caliper & Disc	70
36	Rear Wheel Assembly	72
37	Rear Brake Pedal	74
38	Handle Bar	76 - 78
39	Front Fork	80
40	Fuel Tank & Fuel Gauge	82
41	Fittings Petrol Tank, Side Cover & Cover Seat	84
42	Seat Assembly & Seat Lock	86
43	Speedometer Assembly	88
44	Cables	90
45	Leg Guards, Saree Guard & Grab Handle	92
46	Chain Case	94
47	Head Lamp & Fairing	96
48	Indicator Light Assembly	98
49	Tail Lamp Assly & Front / Rear Number Plate	100
50	Electrical Equipments	102
51	Tool Kit	104
52	Painted Parts & Decals	106 - 108
53	Consumable Parts	113 - 116
	Kit List	117 - 120
	Amended Sheets (Part Added)	121
	Amended Sheets (Part Deleted)	122
	Part Index	123 - 134



# Pictorial Index

PLATE NO. : 1  
COVER CYLINDER HEAD

PAGE NO.  
1

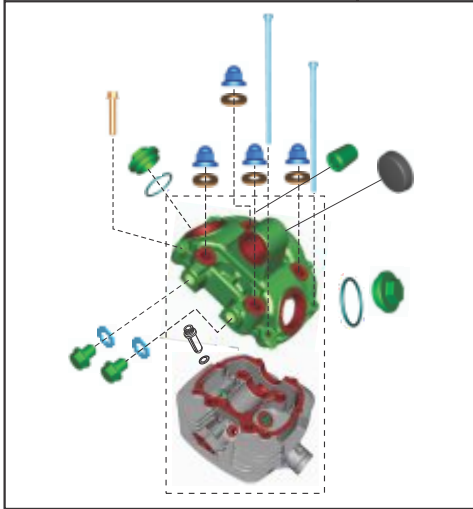


PLATE NO. : 2  
SAI SYSTEM

PAGE NO.  
3

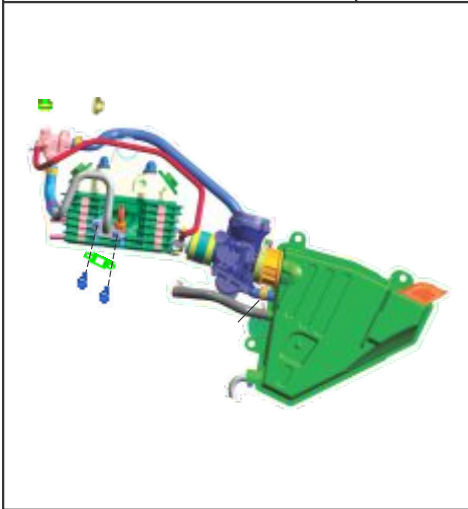


PLATE NO. : 3  
CYLINDER HEAD

PAGE NO.  
5

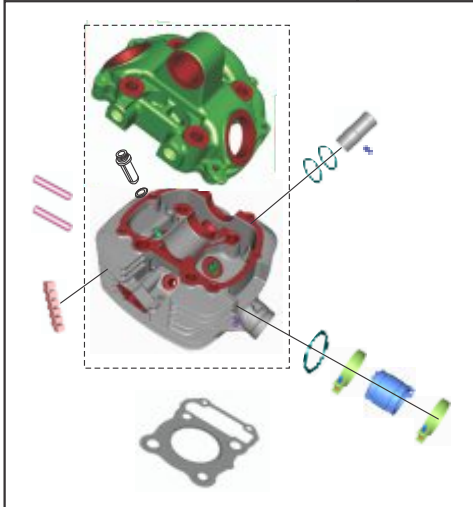
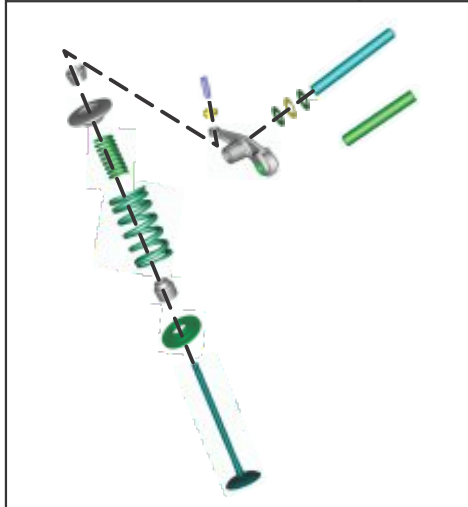


PLATE NO. : 4  
VALVE

PAGE NO.  
7



# Pictorial Index

PLATE NO. : 5  
CAMSHAFT TENSIONER

PAGE NO.  
9

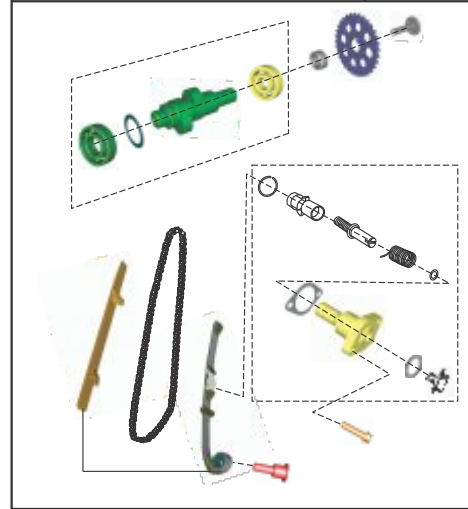


PLATE NO. : 6  
CYLINDER & PISTON

PAGE NO.  
11

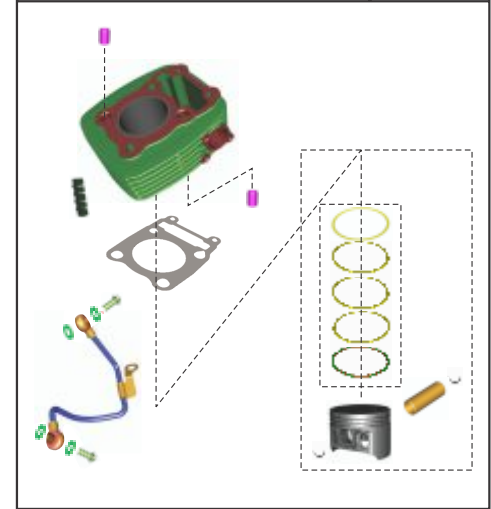


PLATE NO. : 7  
CRANKSHAFT

PAGE NO.  
13

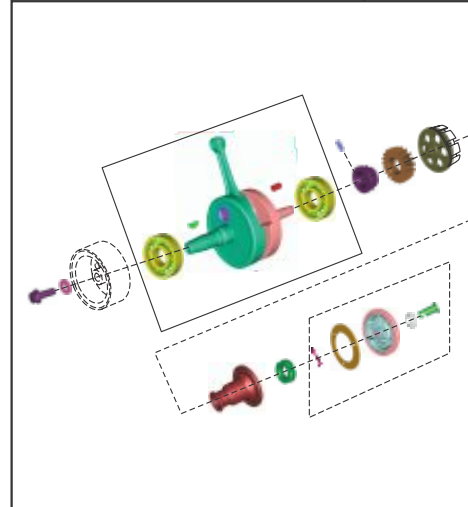
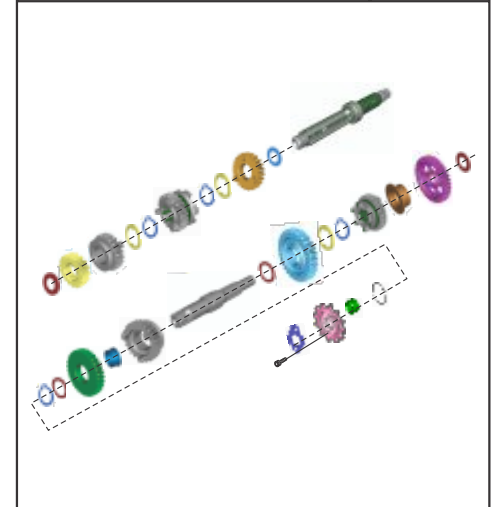


PLATE NO. : 8  
TRANSMISSION

PAGE NO.  
15



# Pictorial Index

PLATE NO. : 9  
BALANCER & BALANCER IDLER GEAR

PAGE NO.  
17

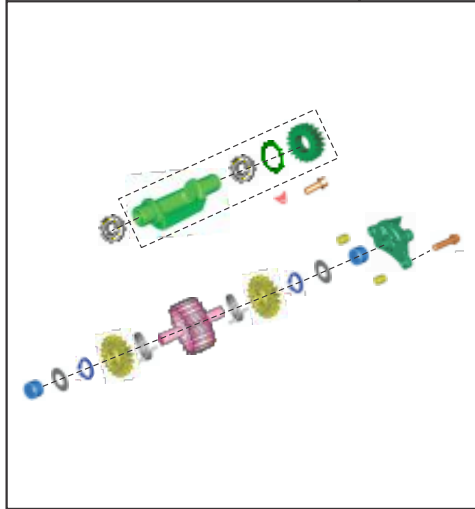


PLATE NO. : 10  
CHANGE DRUM & SHAFT FORK

PAGE NO.  
19

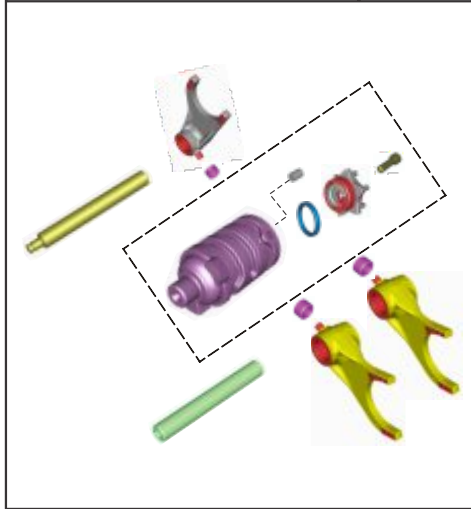


PLATE NO. : 11  
GEAR CHANGE MECHANISM

PAGE NO.  
21

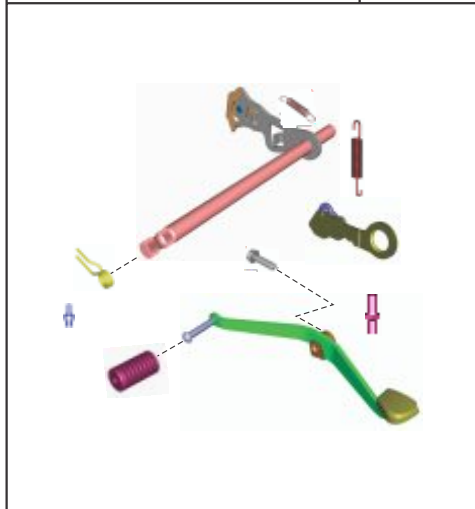
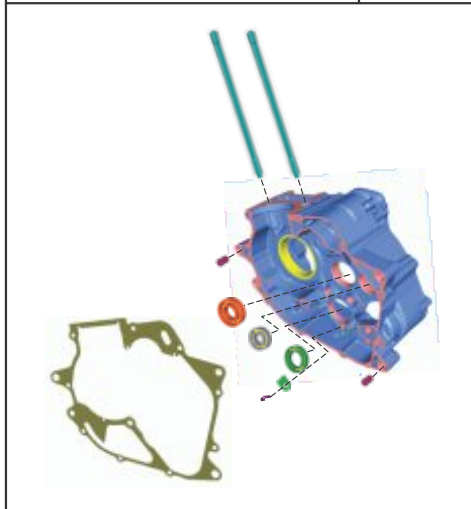


PLATE NO. : 12  
ENGINE ASSEMBLY & CRANKCASE RH

PAGE NO.  
23



# Pictorial Index

PLATE NO. : 13  
CRANKCASE LH

PAGE NO.  
25

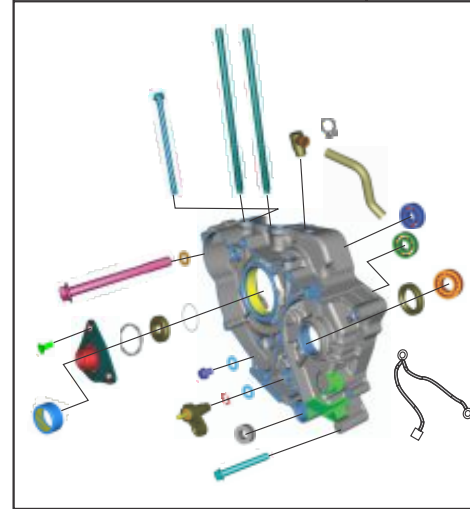


PLATE NO. : 14  
COVER RH

PAGE NO.  
27

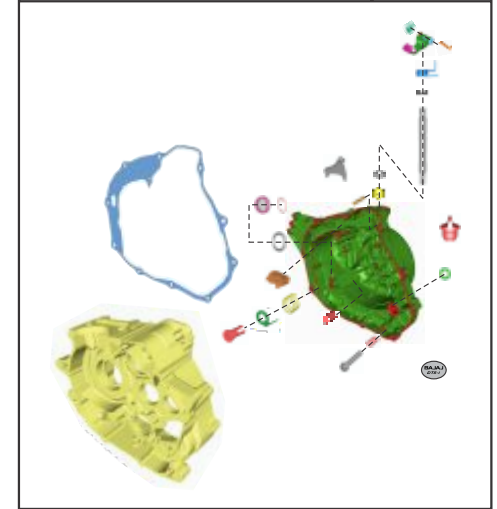


PLATE NO. : 15  
COVER MAGNETO

PAGE NO.  
29

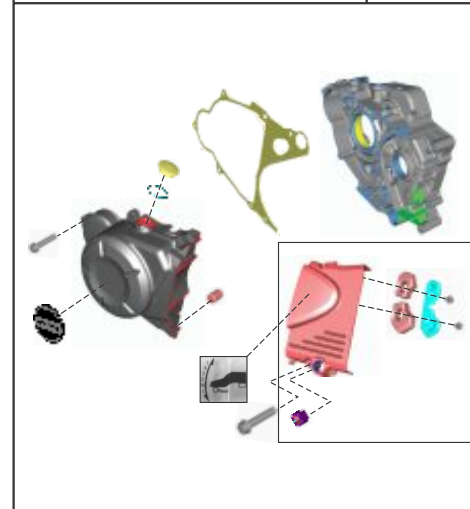
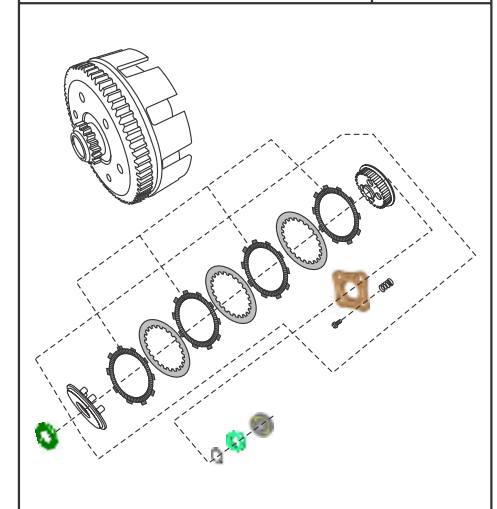


PLATE NO. : 16  
CLUTCH ASSEMBLY

PAGE NO.  
31





# Pictorial Index

PLATE NO. : 17  
OIL PUMP ASSEMBLY

PAGE NO.  
33

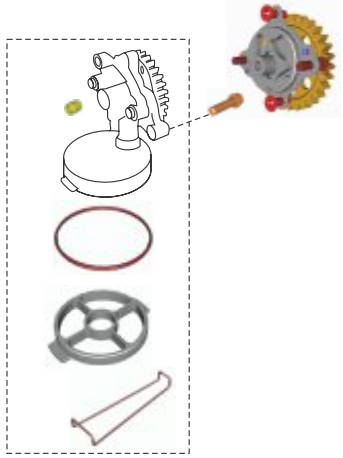


PLATE NO. : 18  
CARBURETTOR ASSEMBLY

PAGE NO.  
35

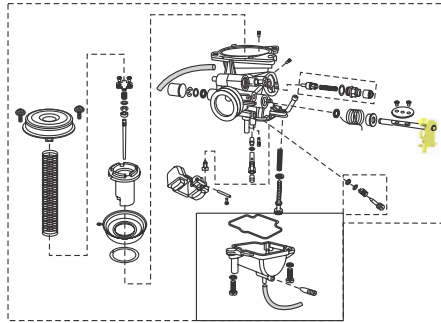


PLATE NO. : 19  
KICK STARTER MECHANISM

PAGE NO.  
37

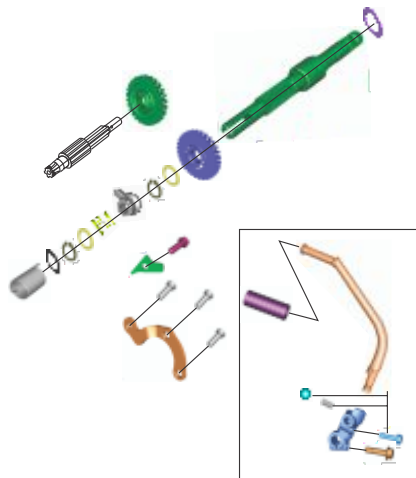
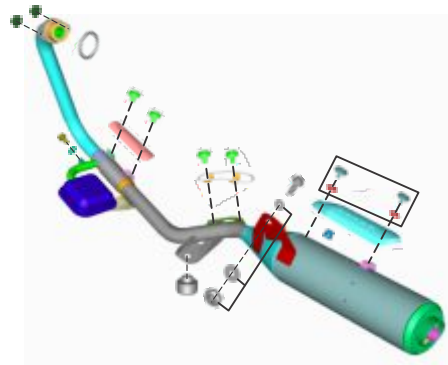


PLATE NO. : 20  
SILENCER ASSEMBLY

PAGE NO.  
39



# Pictorial Index

PLATE NO. : 21  
AIR CLEANER COMPLETE

PAGE NO.  
41

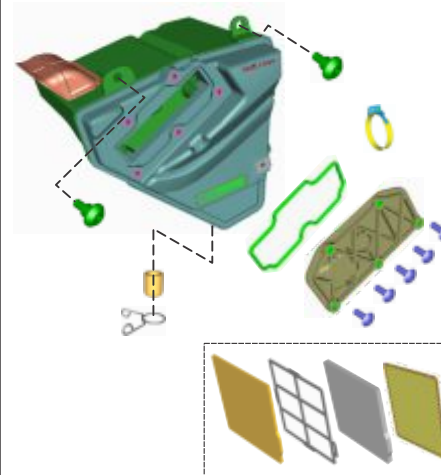


PLATE NO. : 22  
EVAP MECHANISM

PAGE NO.  
43

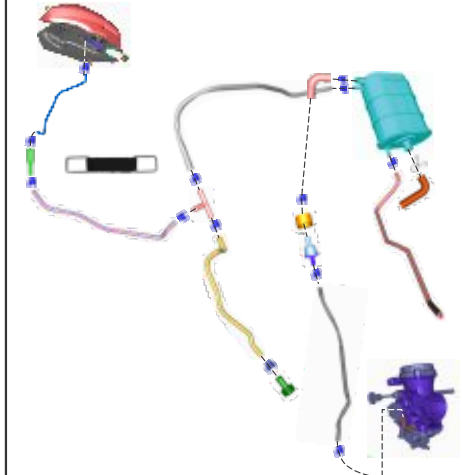


PLATE NO. : 23  
MAGNETO, CDI & H.T. COIL

PAGE NO.  
45

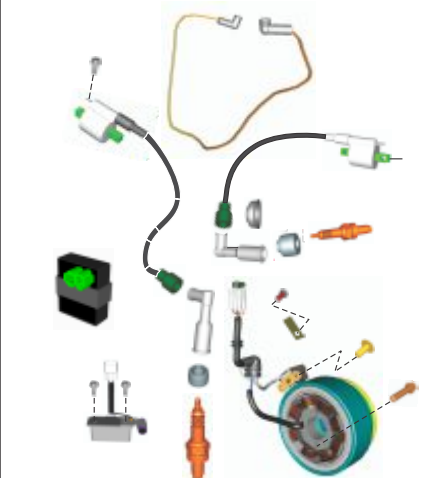
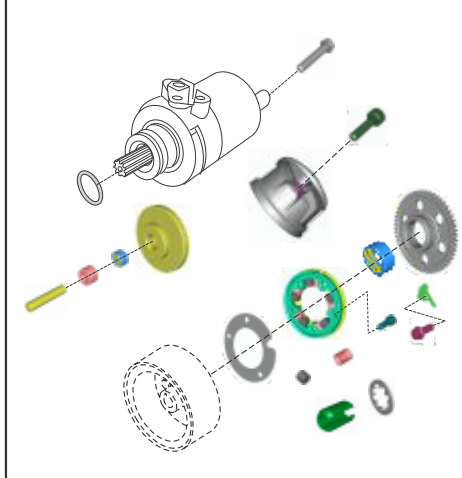


PLATE NO. : 24  
STARTER ASSEMBLY (FOR SELF START)

PAGE NO.  
47



# Pictorial Index

PLATE NO. : 25  
FRAME AND FRAME FITTINGS

PAGE NO.  
49

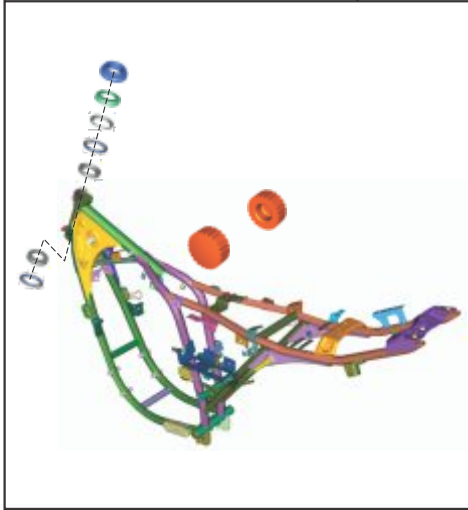


PLATE NO. : 26  
ENGINE MOUNTINGS

PAGE NO.  
51

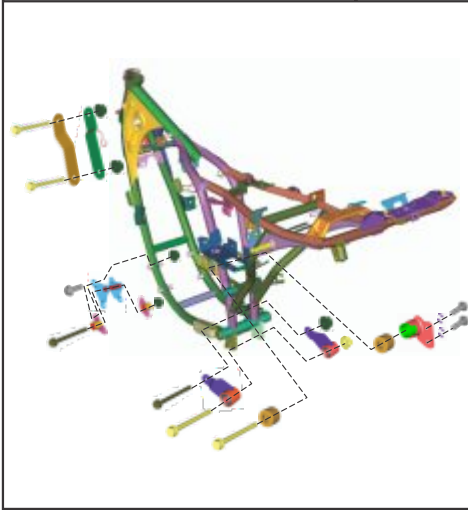


PLATE NO. : 27  
SWING ARM / REAR SHOCK ABSORBER

PAGE NO.  
53

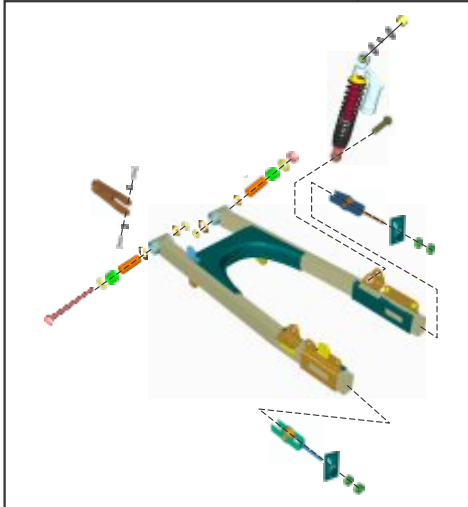
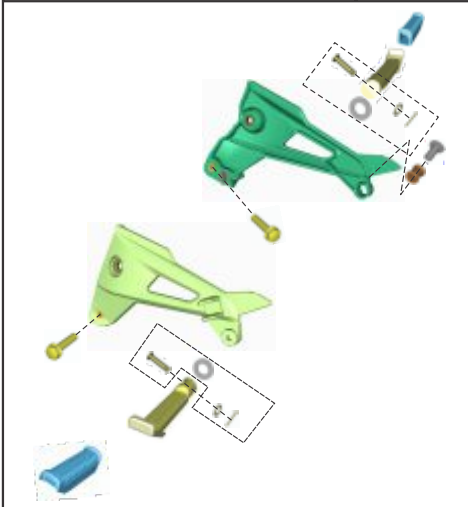


PLATE NO. : 28  
PILLION FOOT REST / HOLDER

PAGE NO.  
55



# Pictorial Index

PLATE NO. : 29  
RIDER FOOT REST

PAGE NO.  
57

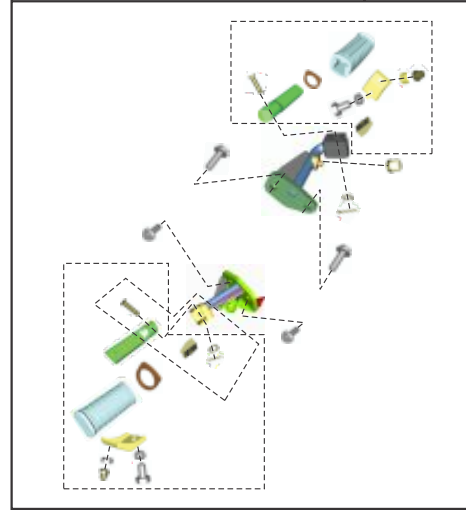


PLATE NO. : 30  
MUDGUARD - FRONT & REAR

PAGE NO.  
59

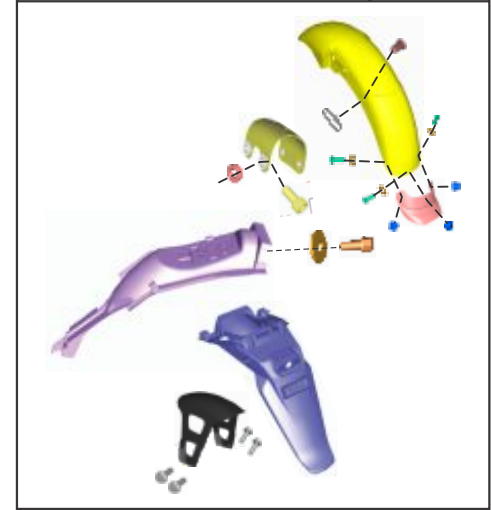


PLATE NO. : 31  
CENTER & SIDE STAND ASSEMBLY

PAGE NO.  
61

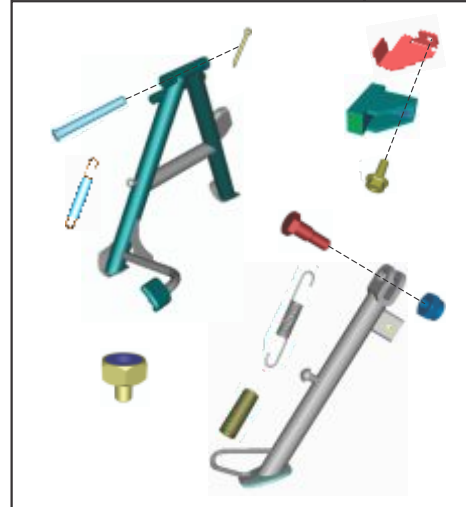


PLATE NO. : 32  
TUBE / TYRE / RIM

PAGE NO.  
63



# Pictorial Index

PLATE NO. : 33  
FRONT WHEEL ASSEMBLY

PAGE NO.  
65

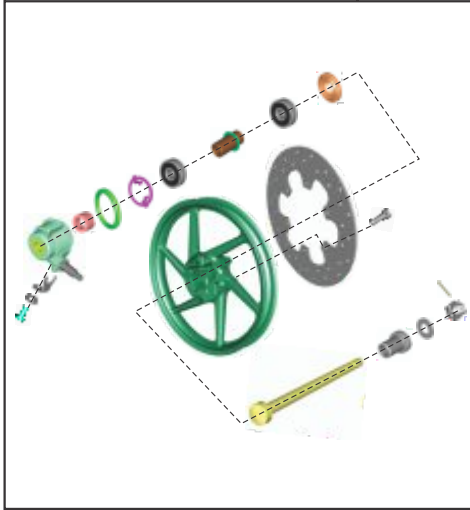


PLATE NO. : 34  
FRONT MASTER CYLINDER ASSEMBLY

PAGE NO.  
67

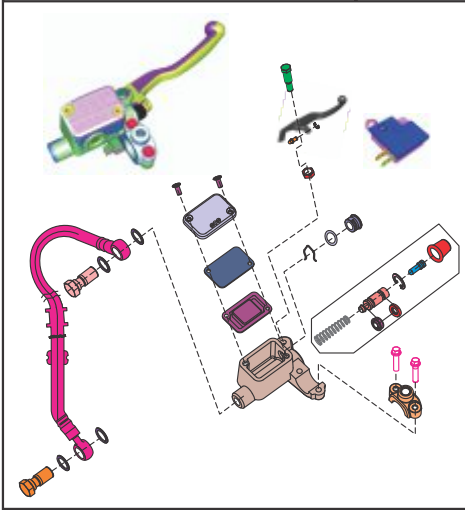


PLATE NO. : 35  
FRONT BRAKE - CALIPER & DISC

PAGE NO.  
69

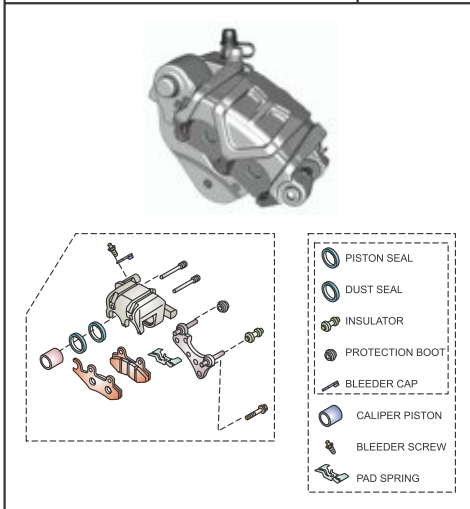
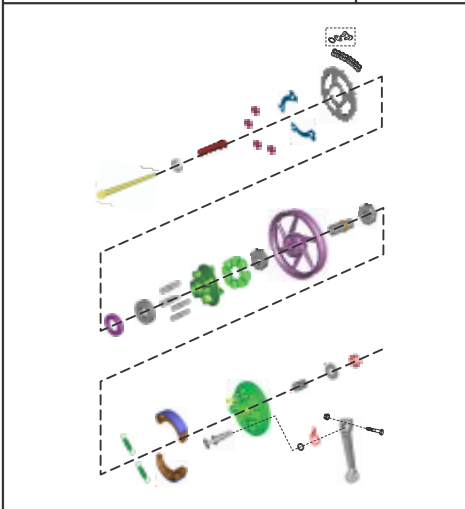


PLATE NO. : 36  
REAR WHEEL ASSEMBLY

PAGE NO.  
71



# Pictorial Index

PLATE NO. : 37  
REAR BRAKE PEDAL

PAGE NO.  
73

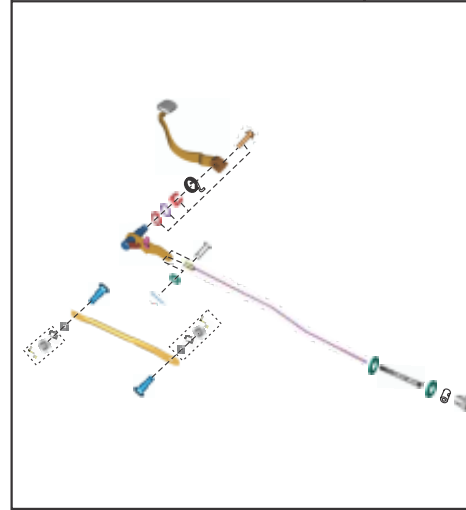


PLATE NO. : 38  
HANDLE BAR

PAGE NO.  
75 - 77

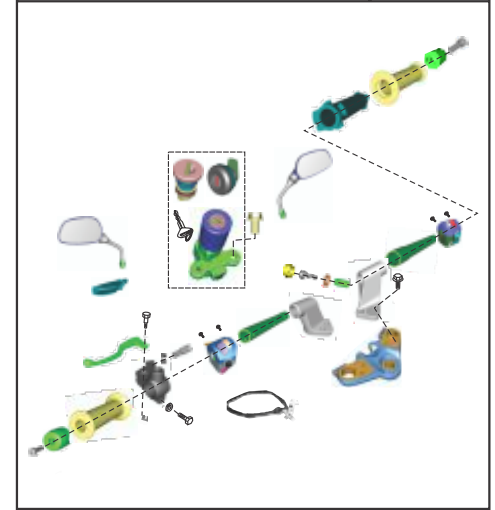


PLATE NO. : 39  
FRONT FORK

PAGE NO.  
79

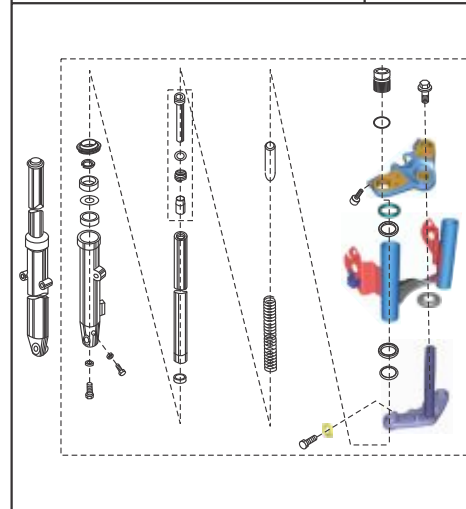
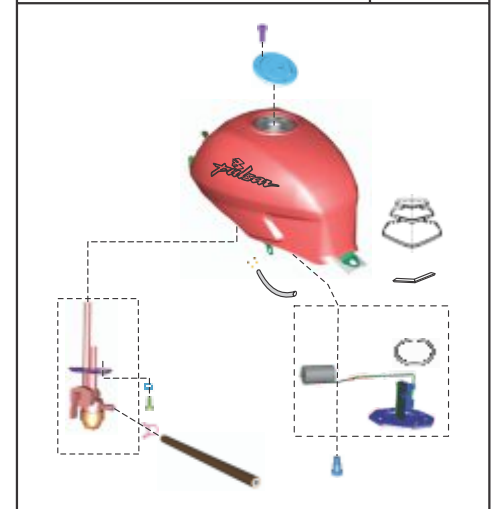


PLATE NO. : 40  
FUEL TANK & FUEL GAUGE

PAGE NO.  
81



# Pictorial Index

PLATE NO. : 41  
FITTINGS PETROL TANK, SIDE COVER  
& COVER SEAT

PAGE NO.  
83

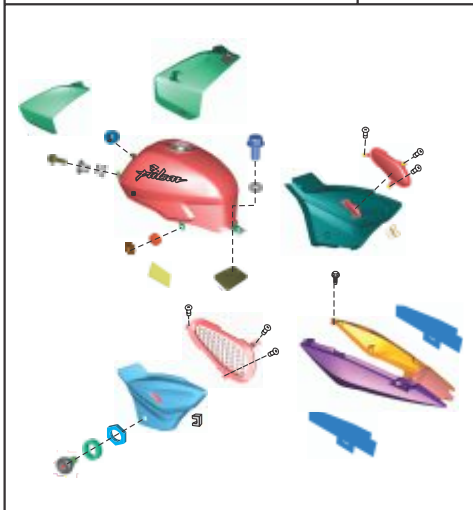


PLATE NO. : 42  
SEAT ASSEMBLY & SEAT LOCK

PAGE NO.  
85

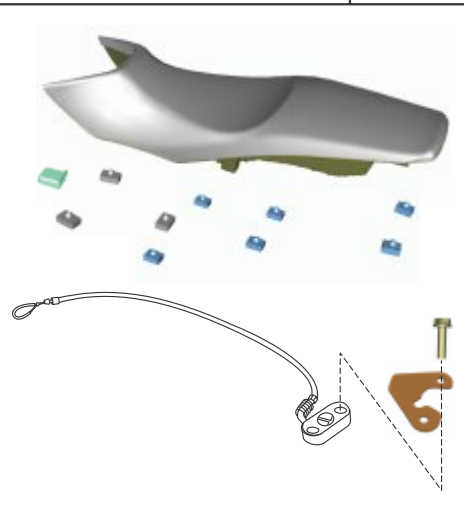


PLATE NO. : 43  
SPEEDOMETER ASSEMBLY

PAGE NO.  
87

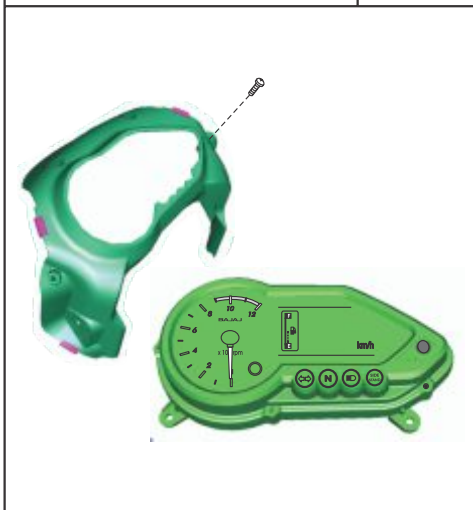


PLATE NO. : 44  
CABLES

PAGE NO.  
89



# Pictorial Index

PLATE NO. : 45  
LEG GUARDS, SAREE GUARD &  
GRAB HANDLE

PAGE NO.  
91

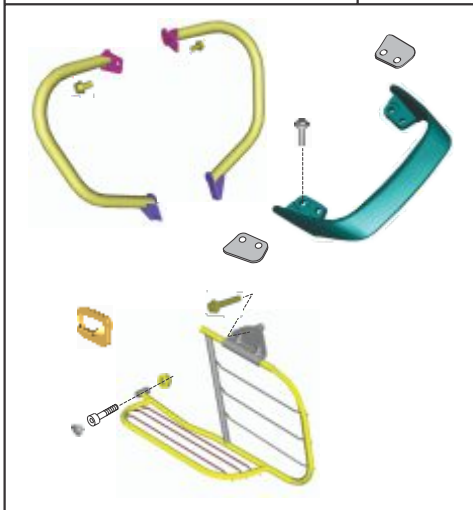


PLATE NO. : 46  
CHAIN CASE

PAGE NO.  
93

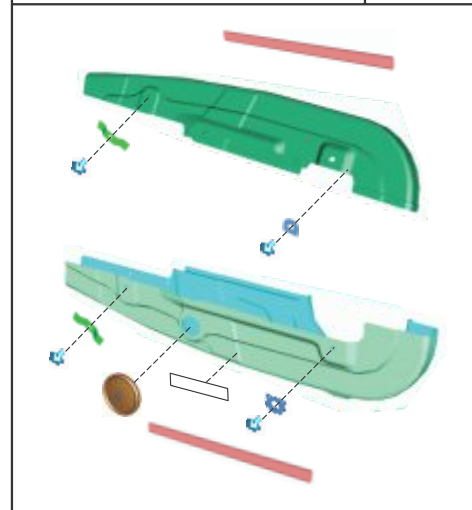


PLATE NO. : 47  
HEAD LAMP & FAIRING

PAGE NO.  
95

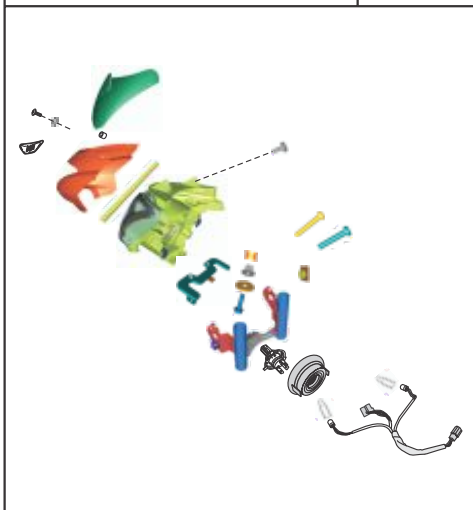
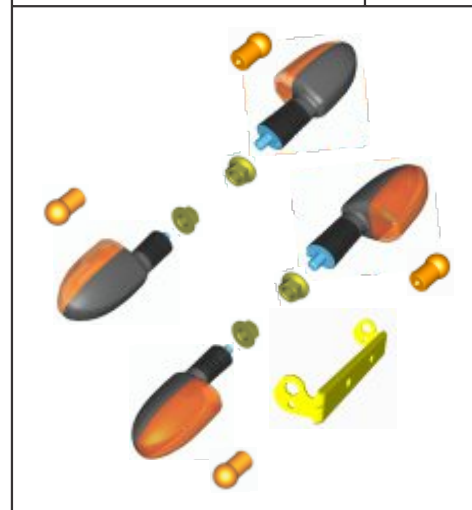


PLATE NO. : 48  
INDICATOR LIGHT ASSEMBLY

PAGE NO.  
97



# Pictorial Index

PLATE NO. : 49  
TAIL LAMP ASSEMBLY / FRONT &  
REAR NUMBER PLATE

PAGE NO.  
99

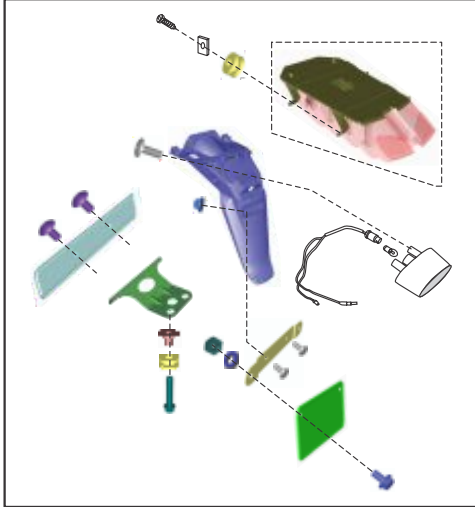


PLATE NO. : 50  
ELECTRICAL EQUIPMENTS

PAGE NO.  
101

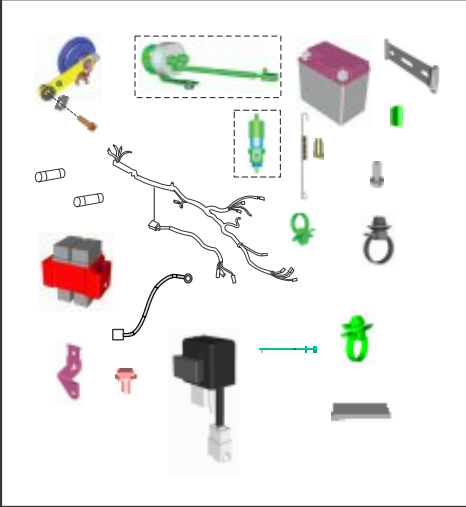


PLATE NO. : 51  
TOOL KIT

PAGE NO.  
103



PLATE NO. : 52  
PAINTED PARTS & DECALS

PAGE NO.  
105 - 107



# Pictorial Index

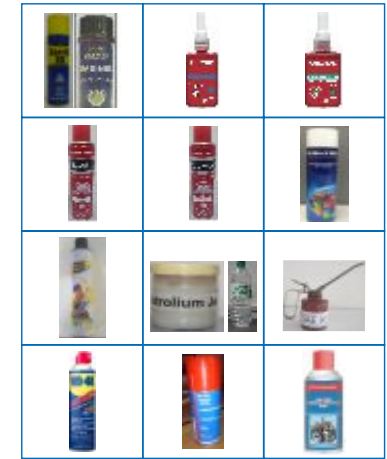
PLATE NO. : 53  
CONSUMABLE PARTS

PAGE NO.  
113



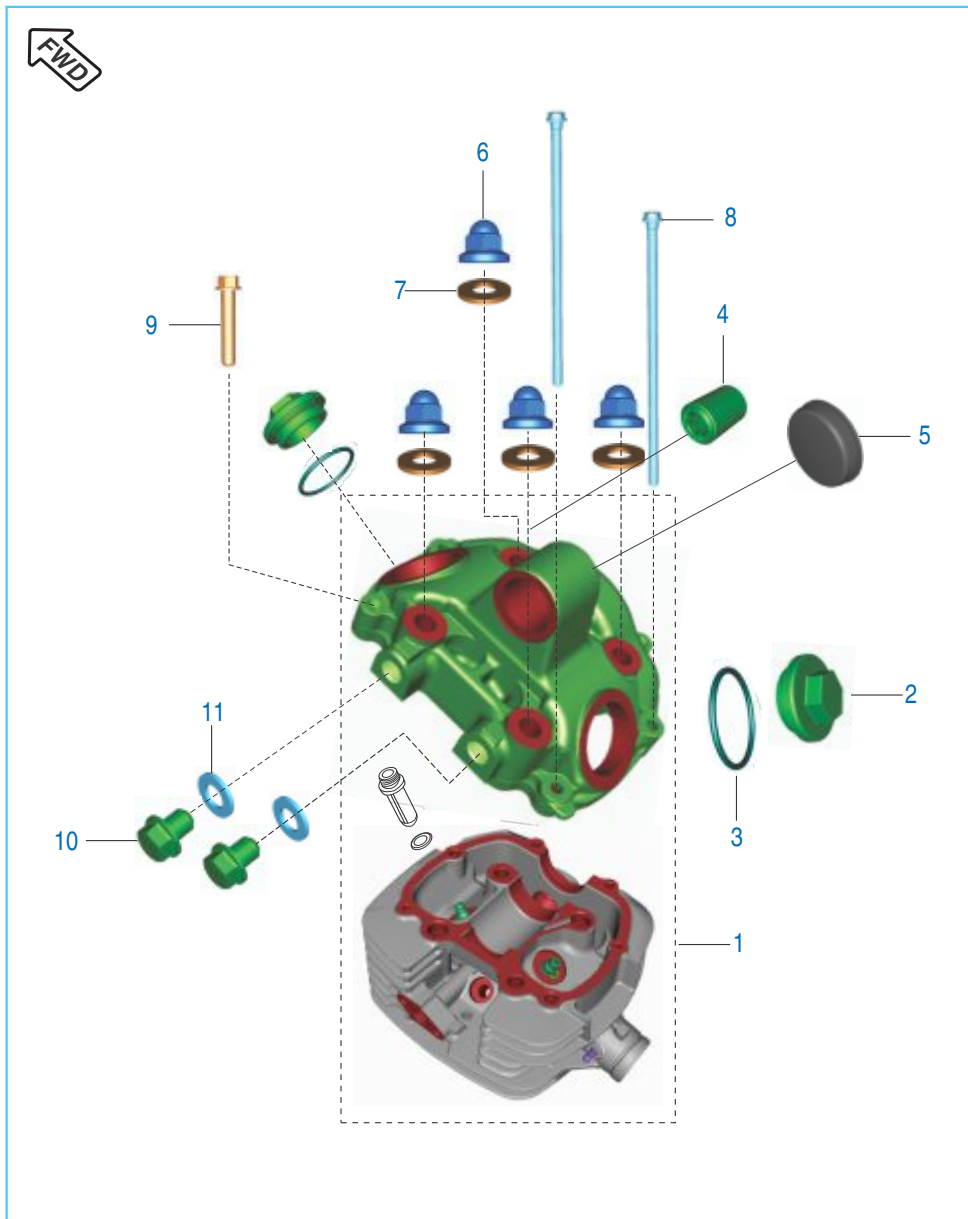
PLATE NO. : 53  
CONSUMABLE PARTS

PAGE NO.  
115



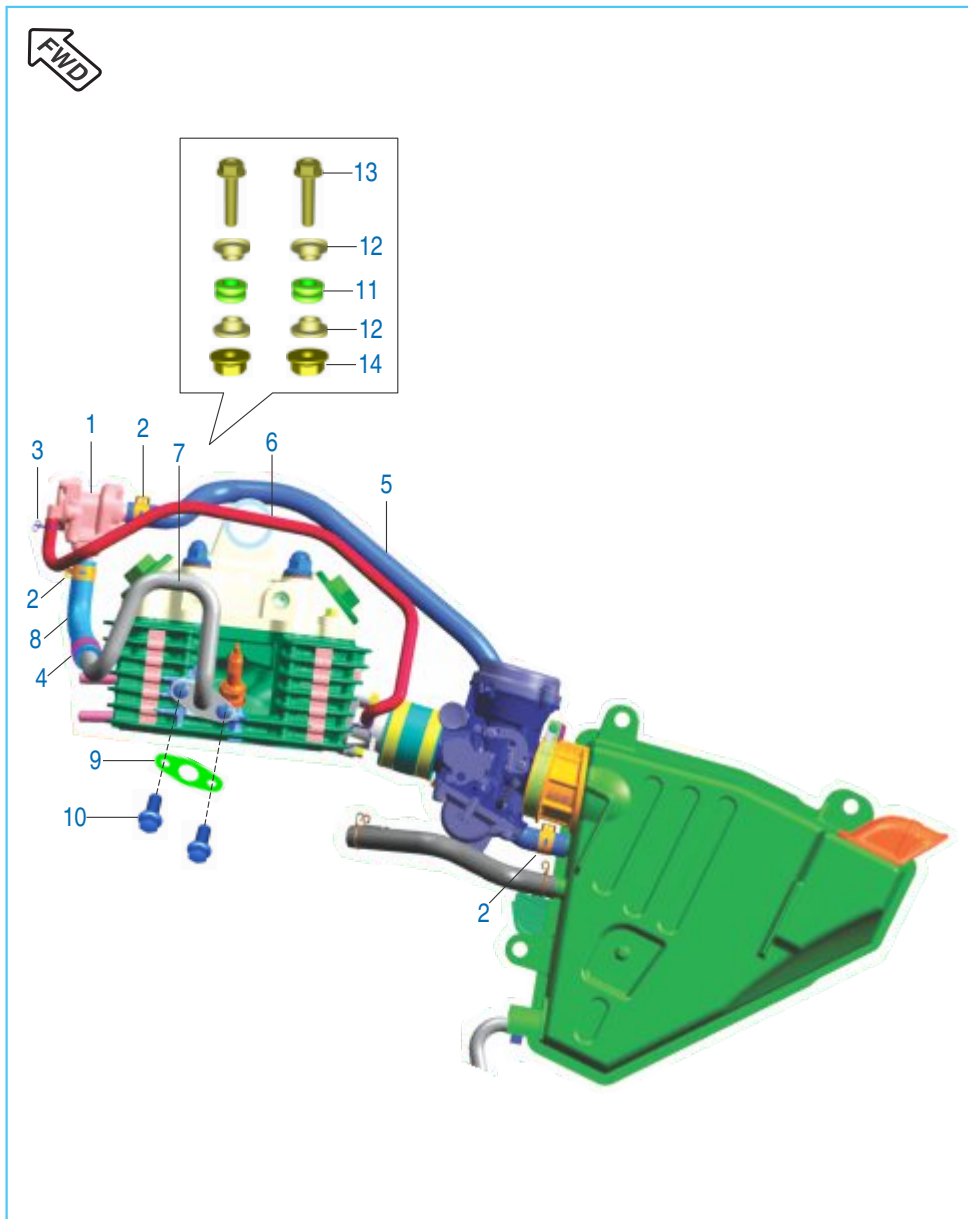


Cover Cylinder Head



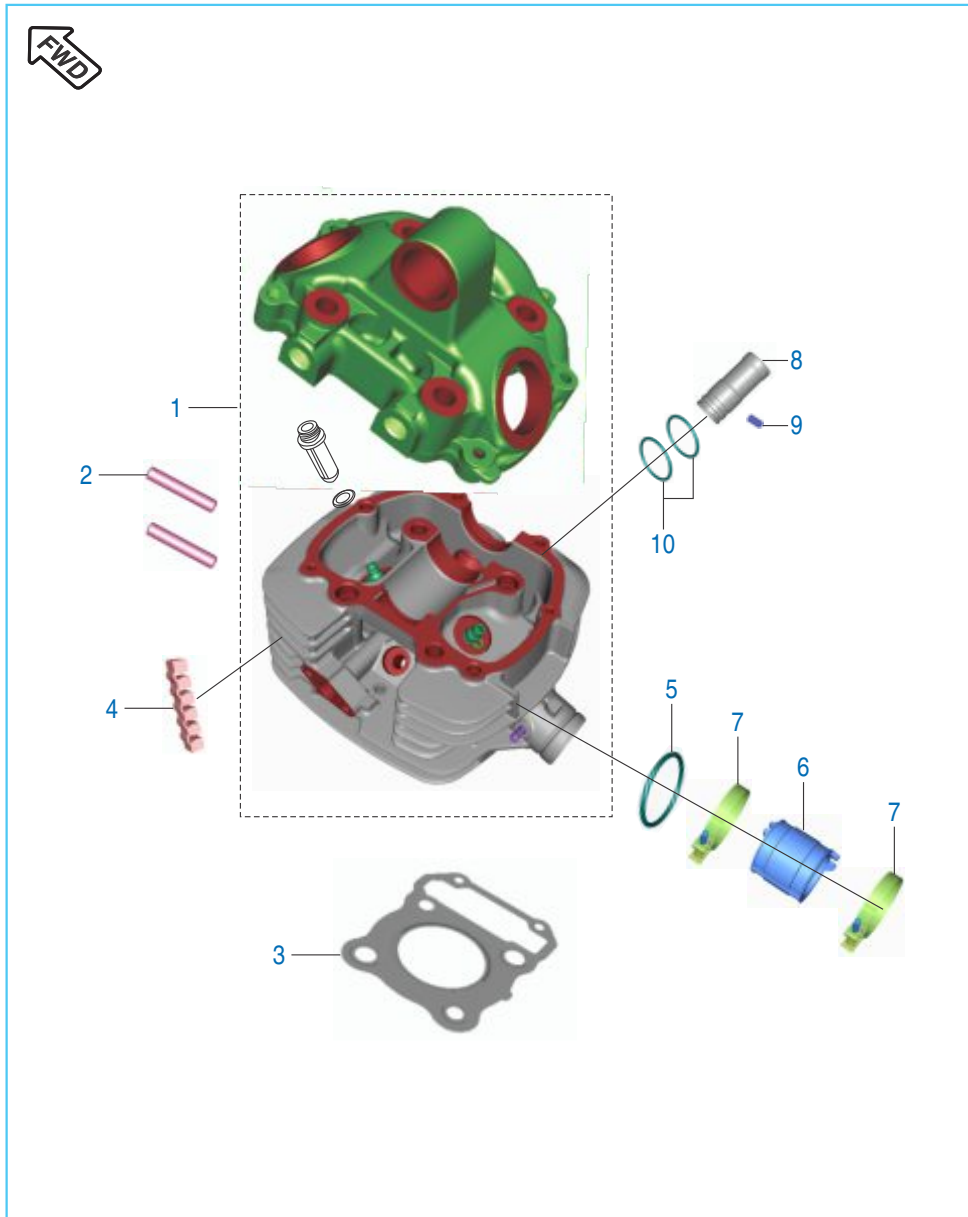
No.	Part No.	Description	Qty.	Remarks
1	DH 1021 03	Kit Assembly Cylinder Head With Cover	1	
2	52 JN01 36	Cover Tappet with 'O' ring	2	
3	36 DS10 01	'O' Ring Kit For Cover Cylinder Head	1	
4	DS 1011 66	Silent Bush (V)	1	
5	DH 1022 01	Camshaft Cap	1	
6	39 2647 15	Domed Cap Nut	4	
7	DS 1010 84	Copper Gasket	4	
8	39 2532 04	Hex. Bolt With Flange	2	
9	39 1075 04	Hex. Bolt / Flange	4	
10	DH 1012 72	Plug Bolt	2	
11	DG 1014 98	Gasket	2	

SAI System



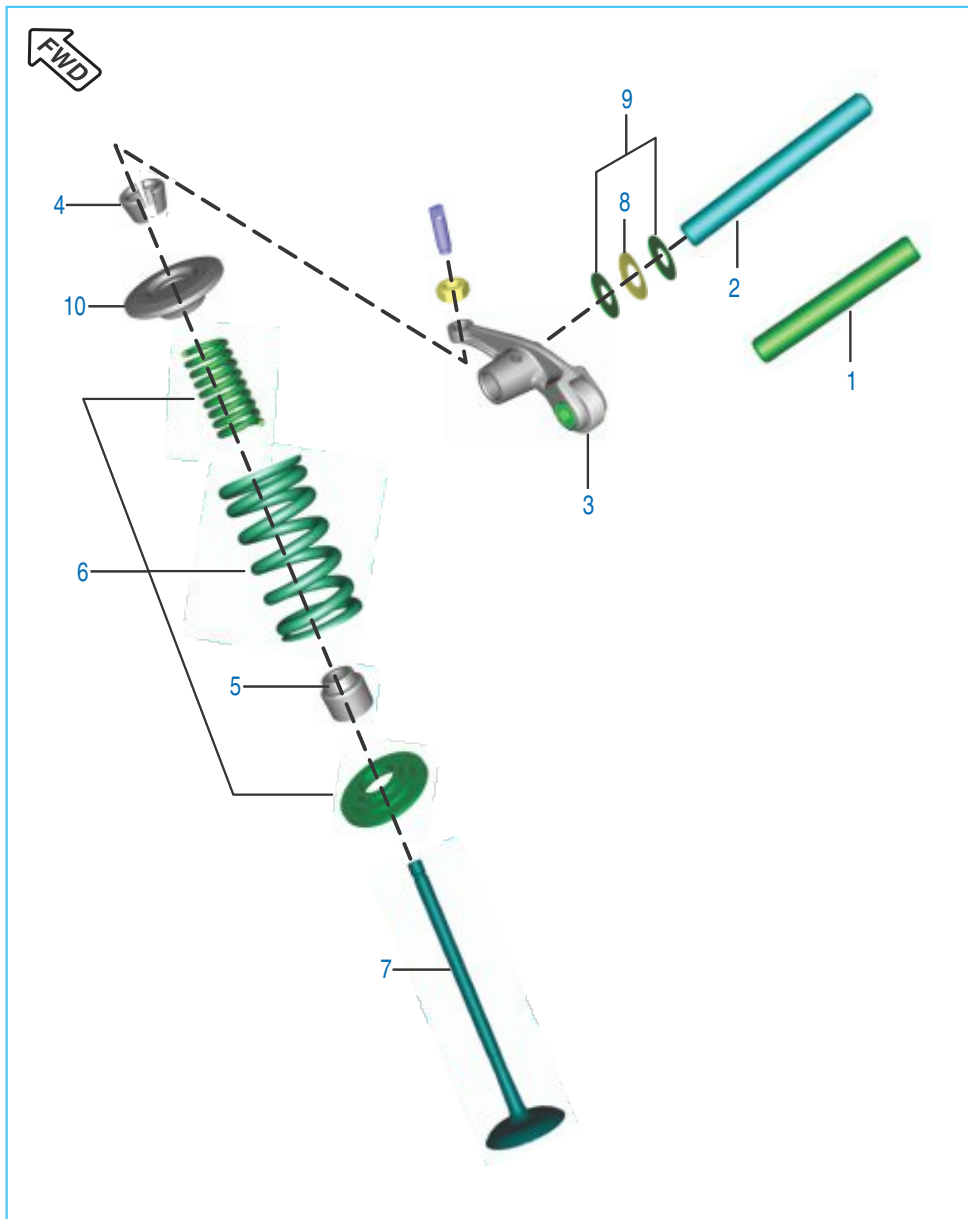
No.	Part No.	Description	Qty.	Remarks
1	PD 5822 00	SAI Unit	1	
2	JL 5810 66	Clamp	3	
3	33 1410 08	Clamp	1	
4	JL 5810 65	Clamp	1	
5	DJ 1210 89	Tube SAI Air Filter	1	
6	DH 1212 08	Hose SAI Unit To Manifold	1	
7	DH 1021 74	Metal Pipe SAI	1	
8	DH 1021 75	Hose SAI Unit To SAI Pipe	1	
9	DH 1021 80	Gasket Metal Pipe	1	
10	KA EG06 14	Flanged Bolt	2	
11	JD 1138 14	Grommet SAI Unit	2	
12	JD 1138 15	Sleeve SAI Unit	4	
13	KA DF06 30	Bolt Flanged	2	
14	KC GF06 06	Nut Hex Flanged	2	

Cylinder Head



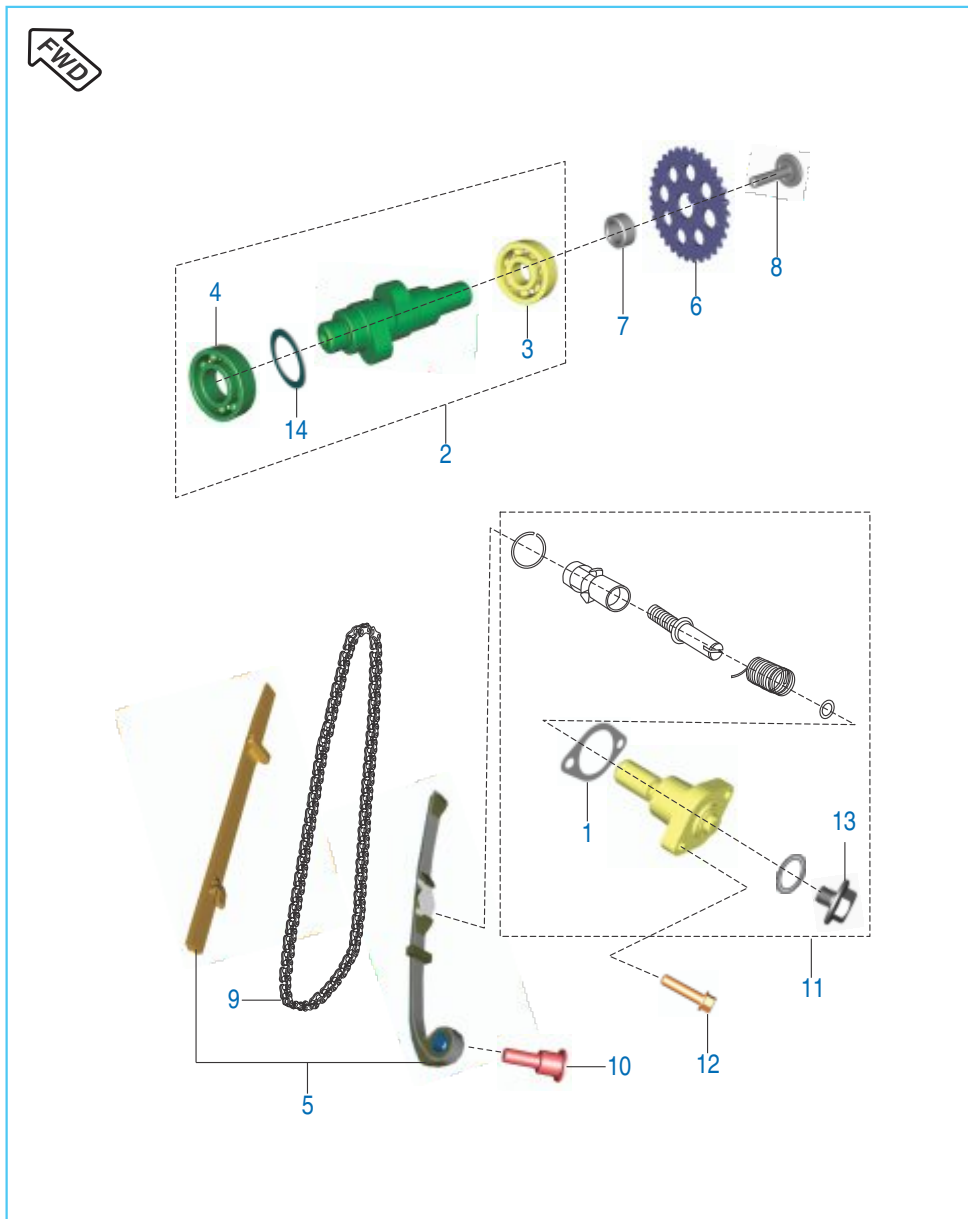
No.	Part No.	Description	Qty.	Remarks
1	DH 1021 03	Kit Assembly Cylinder Head With Cover	1	
2	39 1660 05	Stud (Exhaust)	2	
3	DH 1022 30	Gasket Cylinder Head	1	
4	DH 1015 08	Damper Cylinder Head	5	
5	39 1283 21	'O' Ring (intake Pipe)	1	
6	DH 1021 07	Insulator MI	1	
7	DH 1021 18	Clamp For Insulator	2	
8	DH 1110 12	Collar Spark Plug	1	
9	39 2608 01	Grub Screw	1	
10	36 DS10 01	'O' Ring Kit For Cover Cylinder Head	1	

Valve



No.	Part No.	Description	Qty.	Remarks
1	DK 1017 48	Rocker Arm Shaft - Intake	1	
2	DK 1017 51	Rocker Arm Shaft - Exhaust	1	
3	DK 1017 55	Rocker Arm With Roller	2	
4	DG 1010 29	Cotter Valve	4	
5	39 2017 19	Seal Valve Stem	2	
	JU 5112 14	Seal Valve Stem	2	
6	36 DK00 05	Kit Seat Valve Spring	2	Refer Kit List
7	36 DS10 02	Kit Intake & Exhaust Valve	1	Refer Kit List
8	DH 1012 95	Wave Washer	2	
9	39 2440 11	Plain Washer	4	
10	DK 1012 47	Retainer Valve Spring	2	

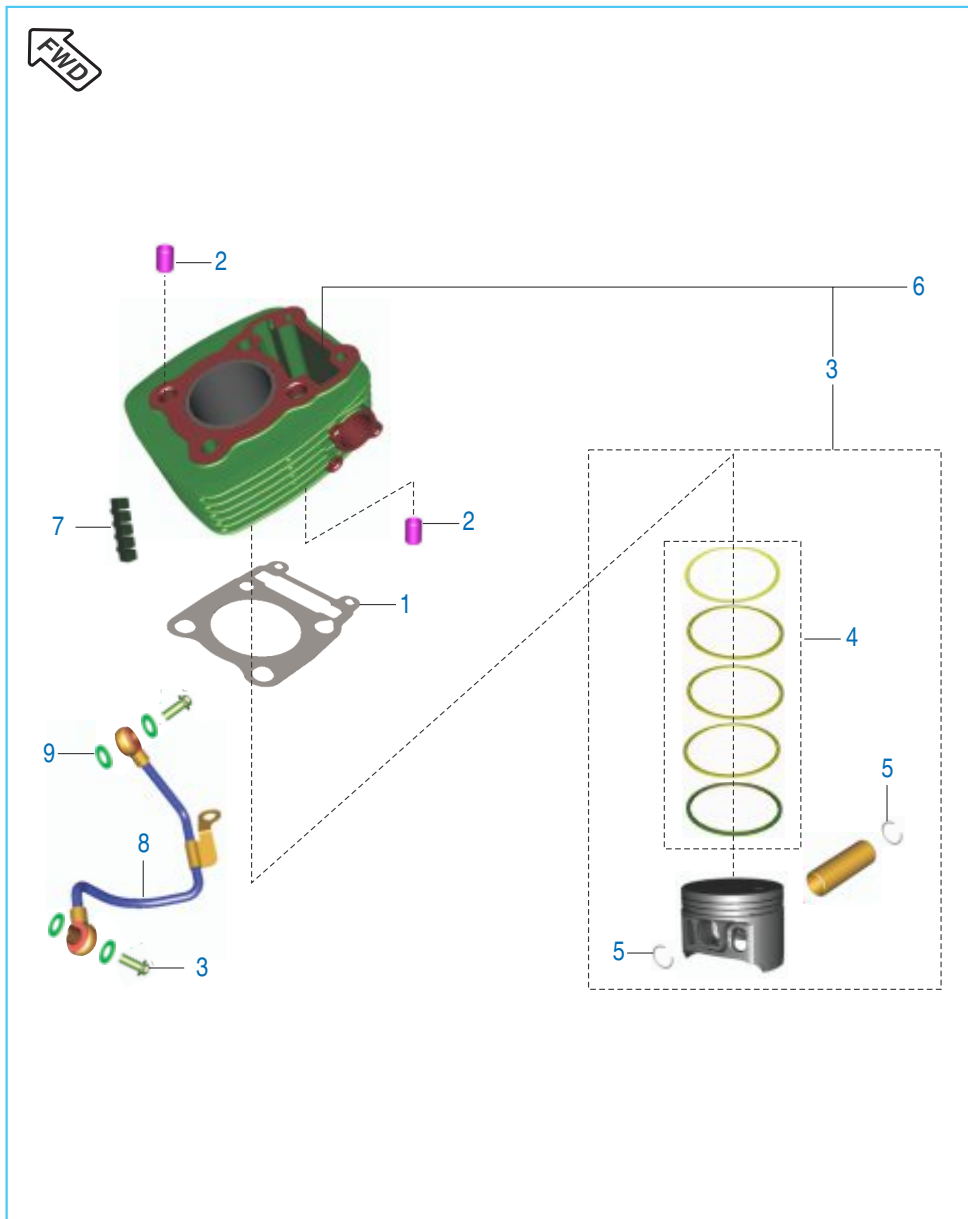
Camshaft & Tensioner



No.	Part No.	Description	Qty.	Remarks
1	CS 1011 28	Gasket Tensioner Assembly	1	
2	PD 5112 24	Camshaft Assembly Complete	1	
3	JC 1010 86	Bearing Cam RH Side	1	6302 - RS1/C3H
4	JC 1010 85	Bearing Cam LH Side	1	6002 - C3H
5	36 DH40 30	Kit Guide Chain	1	Refer Kit List
6	PD 5112 29	Sprocket Cam Driven	1	
7	DH 1014 12	Collar Cam Sprocket	1	
8	DH 1021 25	Bolt Special Camshaft	1	
9	JC 1010 35	Cam Chain (98 Links)	1	
10	DH 1013 92	Cam Chain Tensioner Pivot Bolt	1	
11	JC 1010 34	Tensioner Assembly	1	
12	39 1673 04	Flange Bolt - M6	2	
13	DD 1010 62	Bolt	1	
14	DH 1014 20	Stopper Bearing Retaining	1	

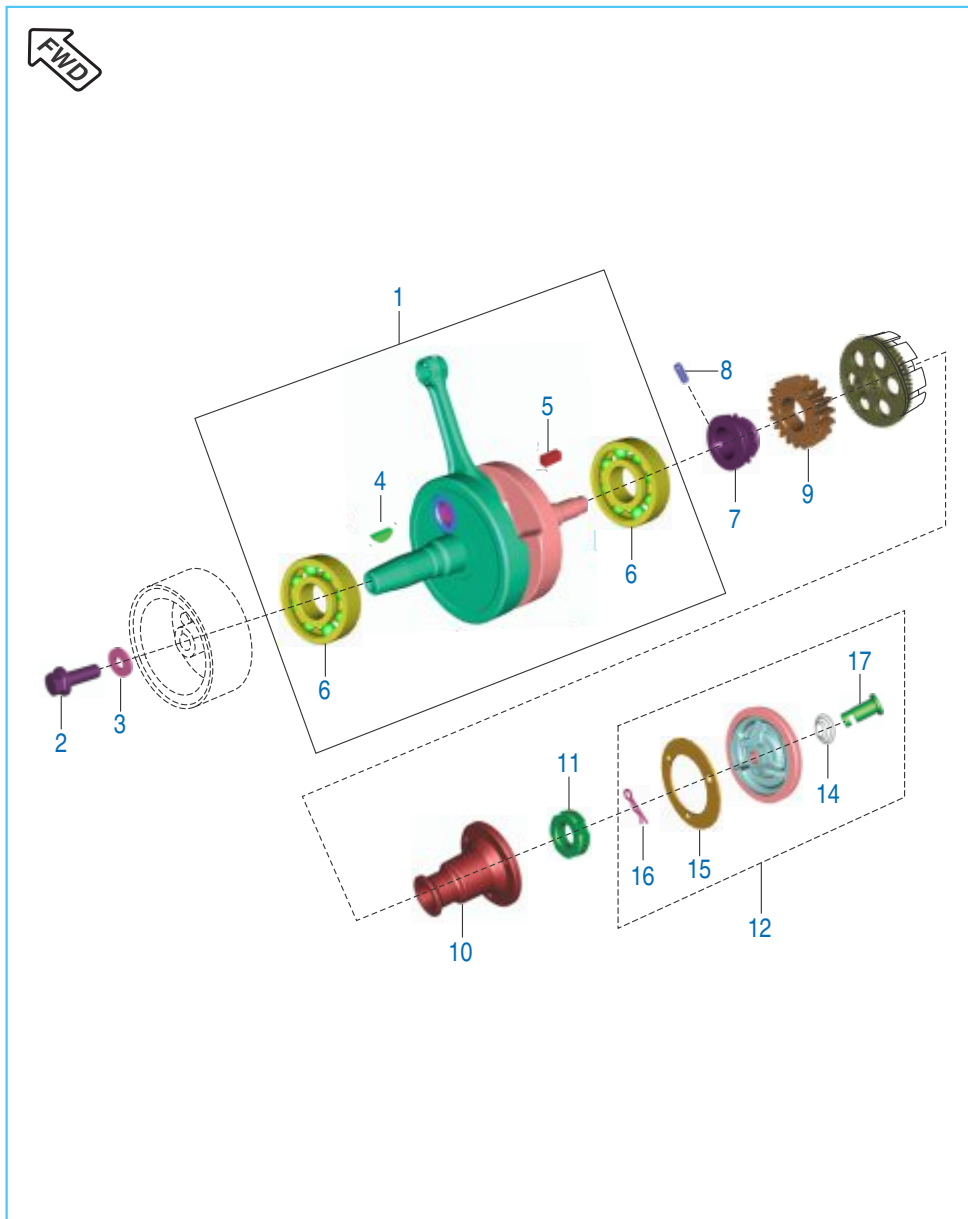


Cylinder and Piston



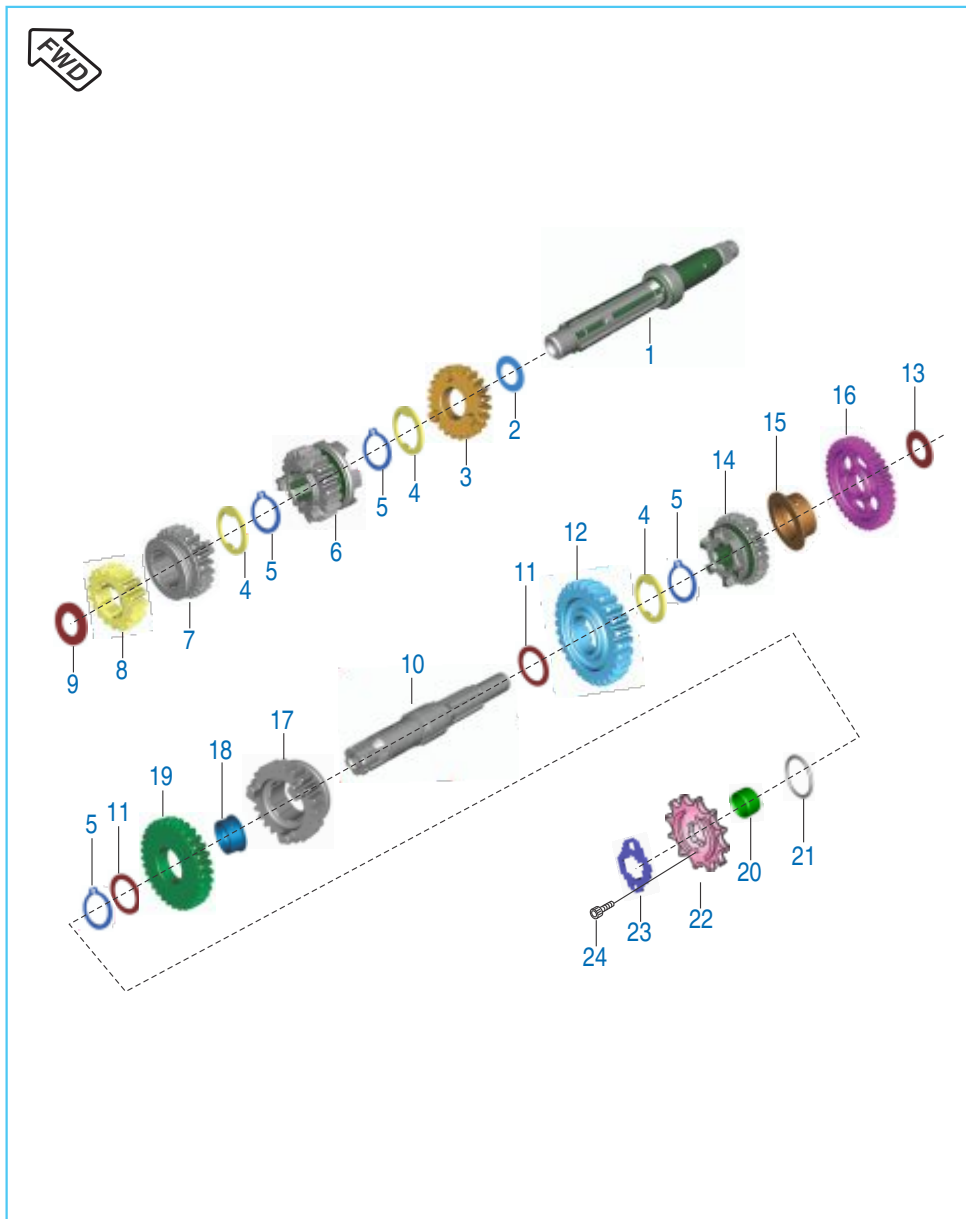
No.	Part No.	Description	Qty.	Remarks
1	DK 1010 63	Gasket Cylinder	1	
2	39 2181 06	Pin Dowel	4	
3	DD 1210 07	Bolt Banjo	2	
4	36 DH41 02	Ring Set Piston	1	Refer Kit List
5	DH 1016 71	Ring Snap	2	
6	36 DH4 103	Cylinder Block / Piston Assembly	1	Refer Kit List
7	DH 1014 14	Damper Cylinder Block	5	
8	DK 1015 92	Assembly Oil Pipe	1	
9	31 1210 06	Gasket	4	

Crankshaft



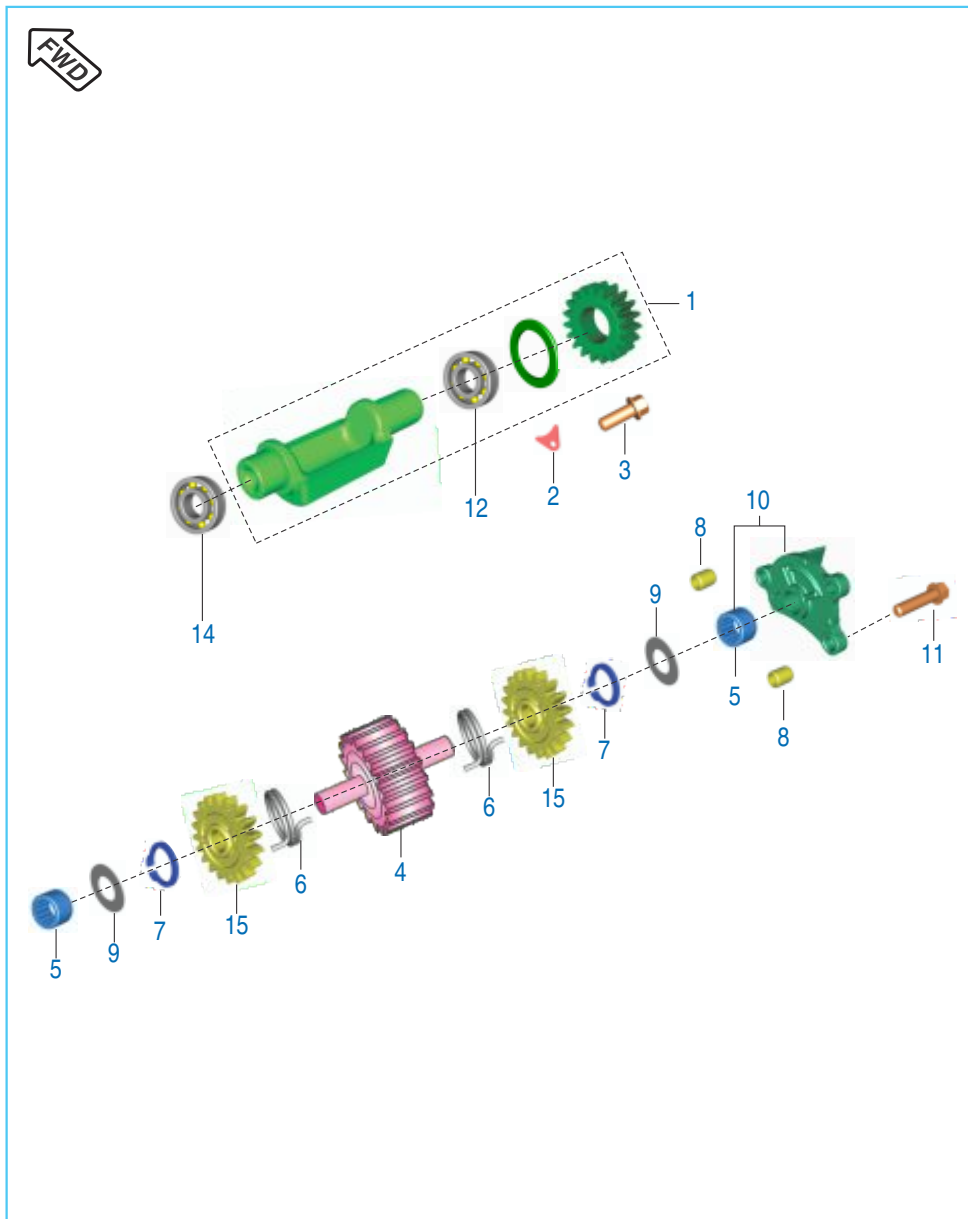
No.	Part No.	Description	Qty.	Remarks
1	DH 1022 20	Crankshaft Assembly Complete	1	
2	DH 1013 96	Bolt	1	
3	39 2165 11	Plain Washer	1	
4	31 1011 73	Key Woodruff	1	
5	DS 1011 54	Square Key	1	
6	39 1931 20	Bearing Ball	2	
7	PD 5310 29	Sprocket Crackshaft	1	
8	39 2203 07	Parallel Pin	1	
9	DH 1016 28	Gear Primary Drive	1	
10	DH 1010 64	Body Centrifugal Oil Filter	1	
11	DH 1011 95	Nut	1	
12	DH 1013 55	Cover Centrifugal Oil Filter	1	
13	36 DH40 19	Kit Centrifugal Oil Filter	1	Refer Kit List
14	DH 1010 67	Spring Oil Delivery B	1	
15	DH 1012 34	Gasket Centrifugal Oil Filter	1	
16	39 2199 08	Pin Snap	1	
17	DH 1010 66	Joint Oil Delivery B	1	

Transmission



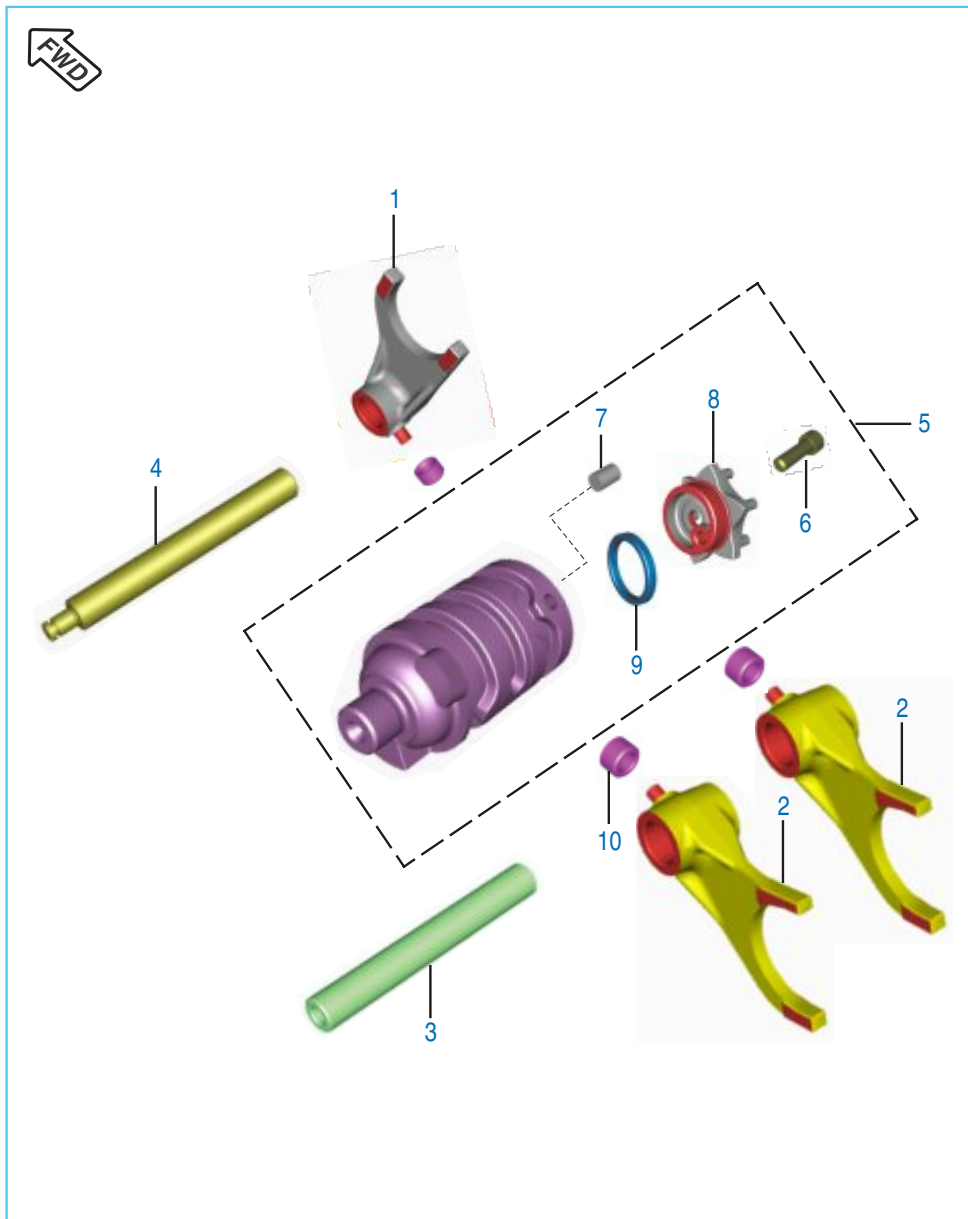
No.	Part No.	Description	Qty.	Remarks
1	DH 1022 85	Shaft Input Transmission	1	
2	39 2158 11	Plain Washer	1	
3	DH 1010 78	Gear 4th Drive	1	
4	DH 1010 79	Washer Spline	3	
5	DH 1012 35	External Circlip	4	
6	DH 1010 80	Gear 3rd Drive	1	
7	DH 1010 82	Gear 5th Drive	1	
8	DH 1020 13	Gear 2nd Drive	1	
9	39 2160 11	Plain Washer	1	
10	DH 1014 16	Shaft Output Transmission Complete	1	
11	39 2166 11	Washer Plain	2	
12	DH 1011 08	Gear 3rd Driven	1	
13	39 2159 11	Plain Washer	1	
14	DH 1011 10	Gear 4th Driven	1	
15	DH 1011 11	Bush 1st Driven	1	
16	DH 1022 92	Gear 1st Driven	1	
17	DH 1019 20	Gear 5th Driven	1	
18	DH 1013 19	Bush 2nd Driven	1	
19	DH 1020 22	Gear 2nd Driven	1	
20	DH 1011 16	Collar Sprocket	1	
21	30 1010 61	'O' Ring Sprocket Coller	1	
22	DH 1011 17	Sprocket Drive	1	
23	DJ 1013 12	Plate Drive Sproket	1	
24	AA 1014 37	Screw Pre - Coated	2	

Balancer & Balancer Idler Gear



No.	Part No.	Description	Qty.	Remarks
1	DH 1021 04	Body Balancer Assembly	1	
2	DH 1010 72	Bearing Stopper	1	
3	39 1672 04	Bolt	1	
4	DH 1020 52	Gear Balancer Idler	1	
5	39 2152 20	Needle Roller Bearing	2	
6	DH 1014 24	Spring Torsion Balancer Idler	2	
7	39 2557 17	Circlip Ext.	2	
8	39 1686 06	Dowel Pin	2	
9	39 1620 11	Thrust Washer	2	
10	52 DH01 77	Balancer Idler Holder	1	
11	39 1674 04	Bolt	3	
12	59 2000 28	Bearing Ball Balancer RH	1	
14	59 2000 29	Bearing Ball Balancer LH 20 x 47 x 14 6204	1	
15	DH 1013 73	Scissor Balancer Idler - Nylon	2	

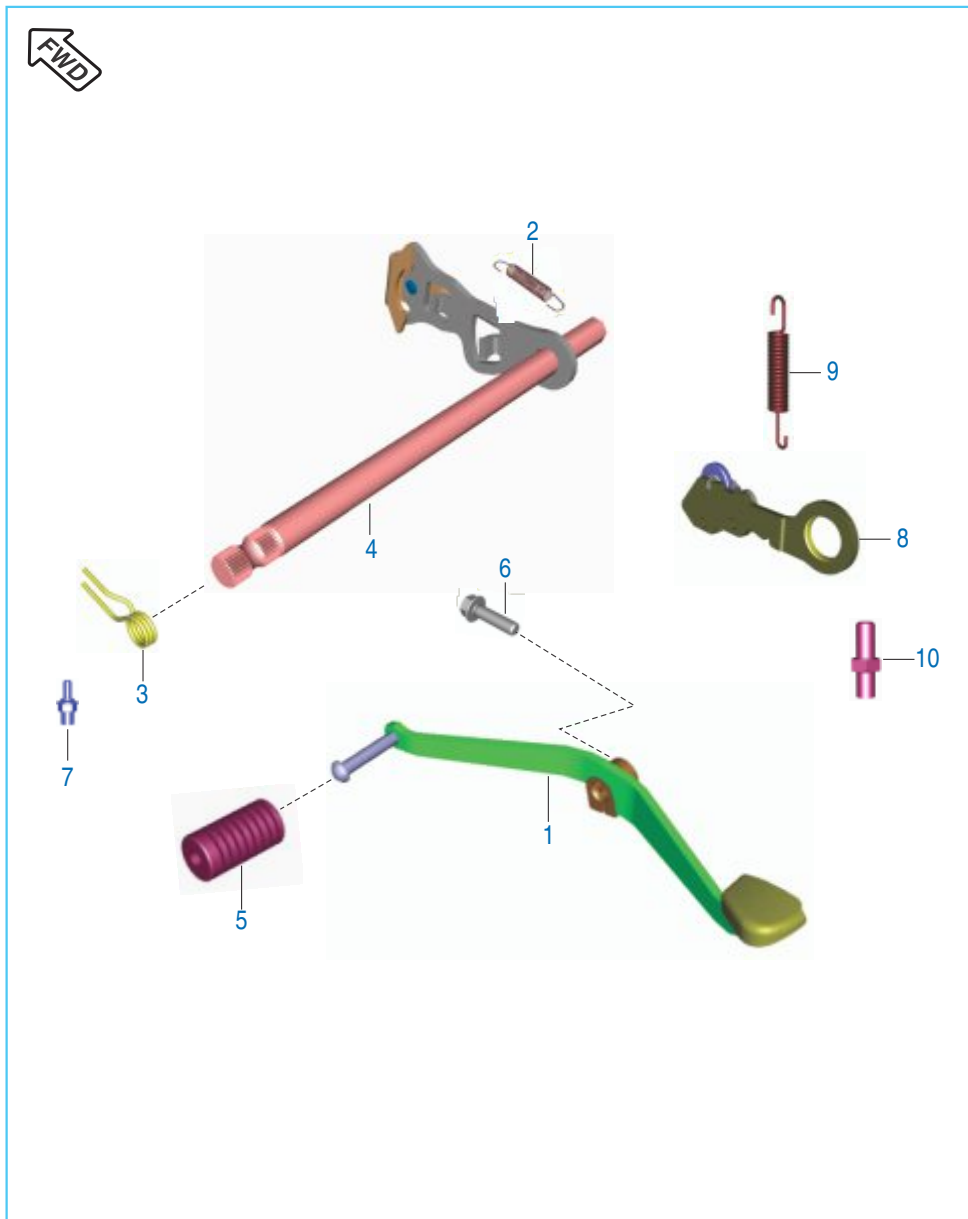
Change Drum & Shaft Fork



No.	Part No.	Description	Qty.	Remarks
1	DK 1011 59	Fork Gear Shift Input	1	
2	DK 1011 60	Fork Gear Shift Output	2	
3	DH 1011 46	Shaft Gear Shift Fork	1	
4	DH 1014 93	Shaft Gear Shift Fork	1	
5	DK 1017 32	Drum Complete Gear Shift	1	
6	39 1197 04	Bolt Socket	1	
7	39 2606 07	Parallel Pin	1	
8	DH 1021 89	Guide Gear Shifter	1	
9	DH 1014 96	Spacer	1	
10	DK 1011 35	Bush Fork Gear Shift	3	

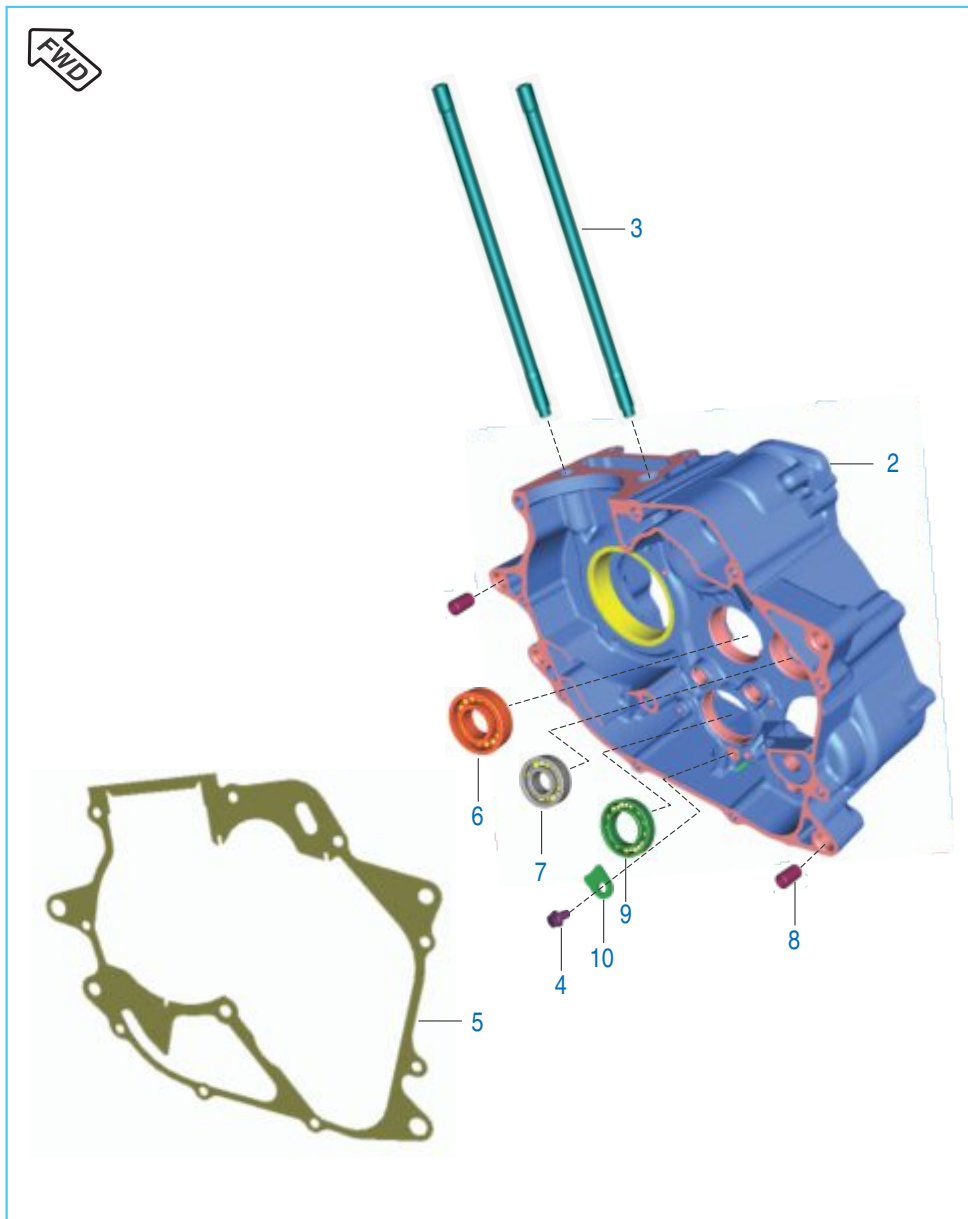


Gear Change Mechanism



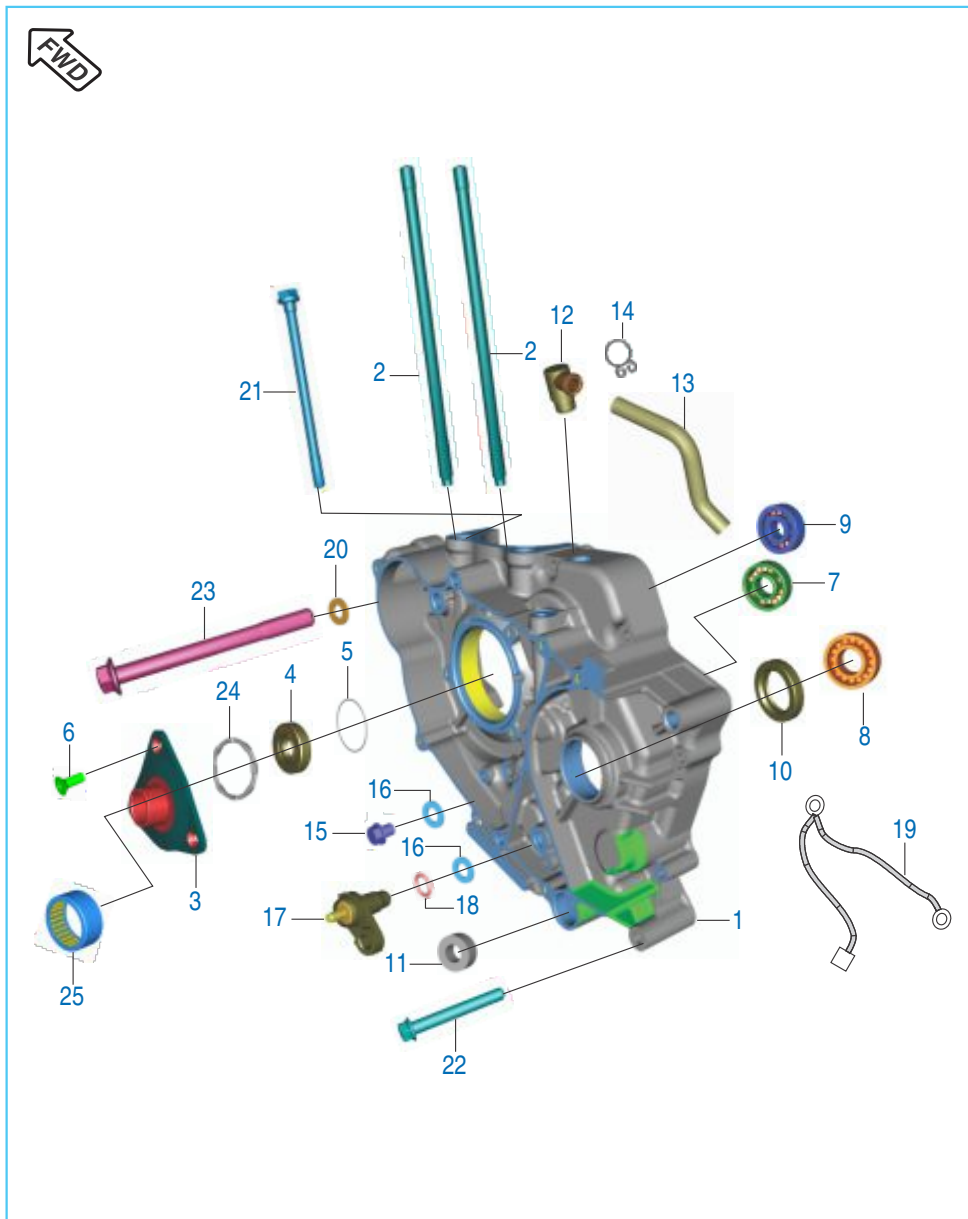
No.	Part No.	Description	Qty.	Remarks
1	DH 1013 97	Lever Complete Gear Shifter	1	
2	DH 1017 14	Spring Gear Shift	1	
3	DK 1012 53	Spring Gear Shift Stopper Detent	1	
4	DK 1017 33	Lever Complete Change	1	
5	DH 1015 09	Damper	1	
6	39 2453 04	Flanged Bolt	1	
7	DH 1013 93	Bolt Gear Shift Drum Stopper	1	
8	DK 1017 25	Stopper Gear Shifter Drum	1	
9	DH 1015 02	Spring Gear Shifter Drum Stopper	1	
10	DH 1013 94	Bolt Shift Change	1	

Engine Assembly & Crankcase RH



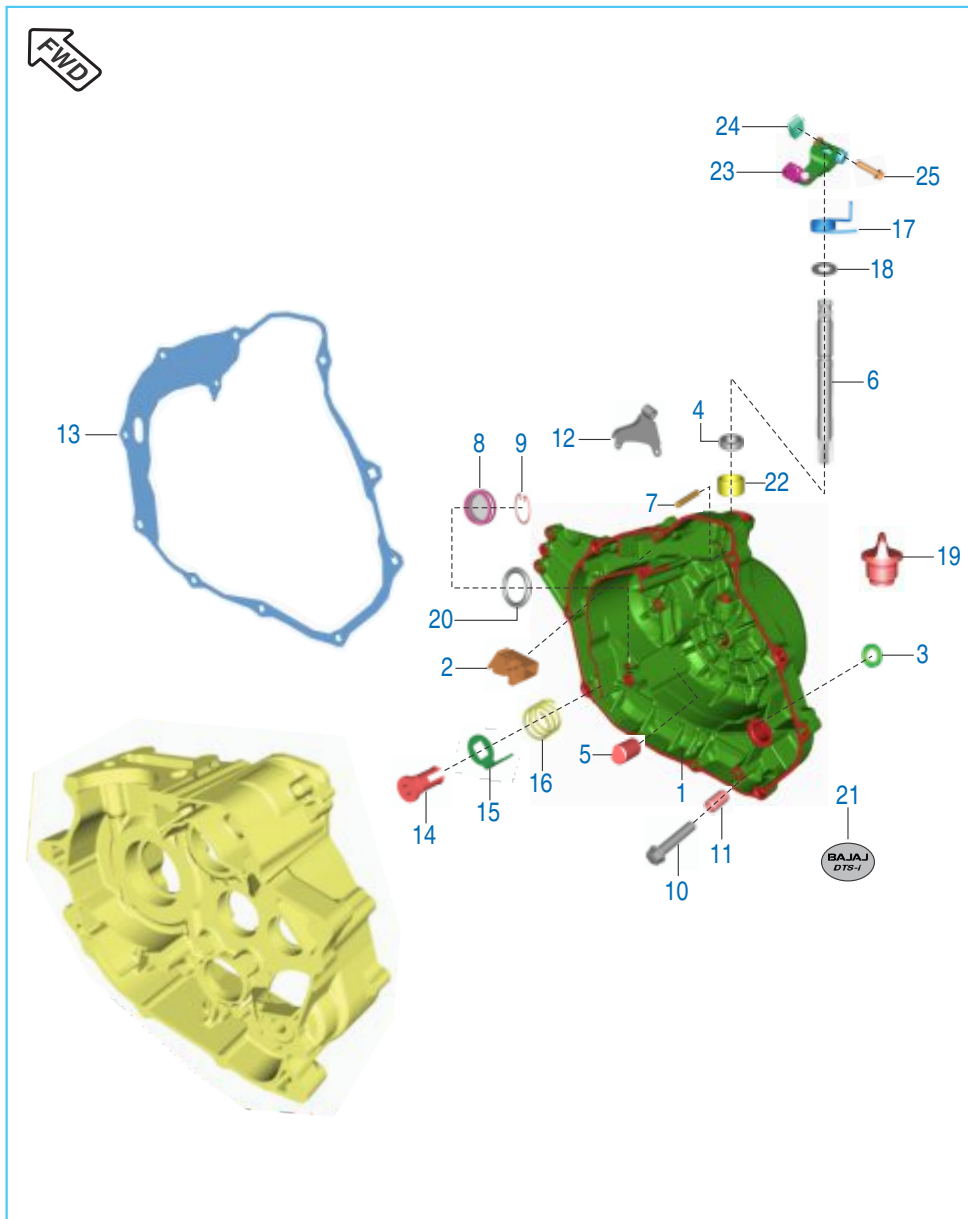
No.	Part No.	Description	Qty.	Remarks
1	DH 1021 77	Engine Assembly With Starter Motor	1	
2	36 DH41 21	Kit Assly Crankcase RH	1	
3	59 0500 08	Stud	2	
4	AA 1014 37	Screw Pre - Coated	1	
5	DH 1010 06	Gasket Crankcase	1	
6	39 2583 20	Bearing Ball (For Input Shaft)	1	
7	39 2602 20	Bearing Ball (For Output Shaft)	1	
8	39 2180 06	Dowel Pin	2	
9	39 2601 20	Ball Bearing	1	(For Dr. Comp. Gear Shift)
10	DH 1014 87	Plate Stopper	1	

Crankcase LH



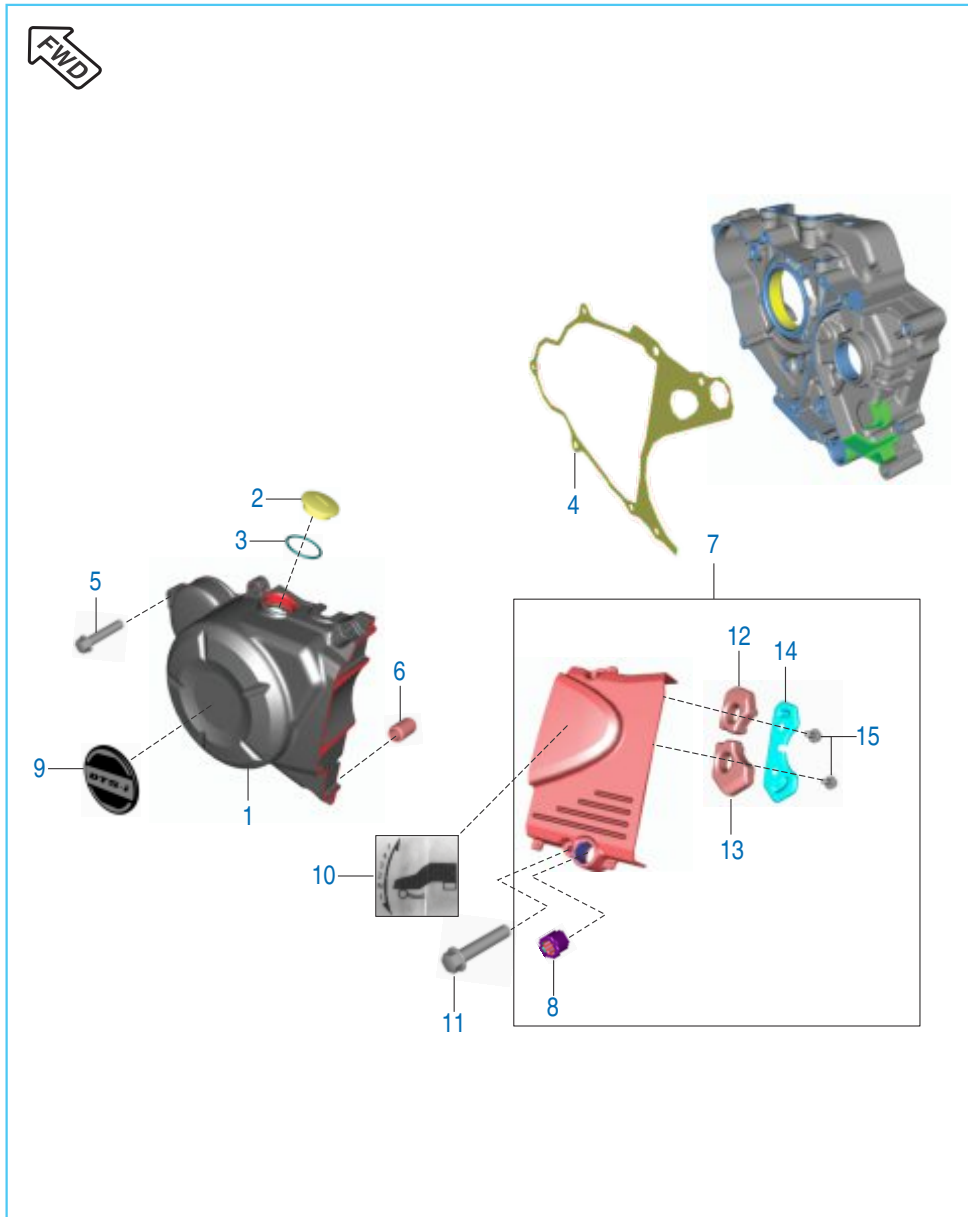
No.	Part No.	Description	Qty.	Remarks
1	36 DH40 99	Crankcase LH	1	Refer Kit List
2	59 0500 08	Stud	2	
3	DH 1022 00	Guide Starter Assembly	1	
4	39 2188 19	Oil Seal	1	
5	59 2100 06	O' Ring	1	
6	DH 1013 79	C' Sunk Head Screw	3	
7	39 2603 20	Bearing Ball (for Input Shaft)	1	
8	39 2583 20	Bearing Ball (for Output Shaft)	1	
9	59 2000 29	Balancer LH Bearing	1	
10	39 2189 19	Oil Seal (For Output Shaft)	1	
11	39 2190 19	Oil Seal (For Shift Lever)	1	
12	DH 1012 03	Breather Pipe	1	
13	DH 1022 32	Rubber Tube	1	
14	DS 1012 34	Spring Clip	1	
15	DH 1016 61	Plug (Drain Bolt)	1	
16	31 1011 06	Gasket	2	
17	DK 1013 80	Switch Complete (Neutral)	1	
18	KJ AB10 19	O Ring Neutral Switch	1	
19	DJ 2011 40	Cable Assembly (Battery To Earth)	1	
20	39 2448 11	Plain Washer	1	
21	39 1845 04	Hex with Flanged Bolt	1	
22	39 1677 04	Flanged Bolt	8	
23	39 2305 04	Bolt	1	
24	DJ 1017 05	Damper Crankshaft	1	
25	59 2000 07	Needle Roller Bearing	1	

Cover RH



No.	Part No.	Description	Qty.	Remarks
1	52 DH13 18	Clutch Cover	1	
2	DH 1011 97	Grommet Breather	1	
3	30 1011 42	Seal Kick Shaft	1	
4	39 1041 19	Seal Clutch Lever	1	
5	DH 1011 41	Rack	1	
6	DH 1011 42	Shaft Clutch Release	1	
7	39 2202 07	Parallel Pin	1	
8	DG 1014 18	Gauge	1	
9	DS 1012 15	Clip Wire	1	
10	DS 1013 53	Bolt	10	
11	39 0999 06	Pin Dowel	2	
12	DH 1018 81	Bracket Clutch Cable	1	
13	DH 1011 54	Gasket Cover RH	1	
14	DK 1014 80	Plunger Oil	1	
15	DH 1210 11	Plate Plunger Oil	1	
16	DH 1210 12	Spring Joint 'A'	1	
17	DH 1015 44	Spring Torsion Clutch Lever	1	
18	39 2443 11	Washer (Spring Steel)	1	
19	DS 1010 71	Cap Oil Filler	1	
20	DH 1011 52	O - Ring Oil Level Gauge	1	
21	DK 1017 38	Decal DTS-i	1	
22	DS 1012 01	Bushing	1	
23	DK 1016 36	Lever Assembly Clutch	1	
24	DH 1012 75	Special Nut	1	
25	39 1674 04	Bolt	1	

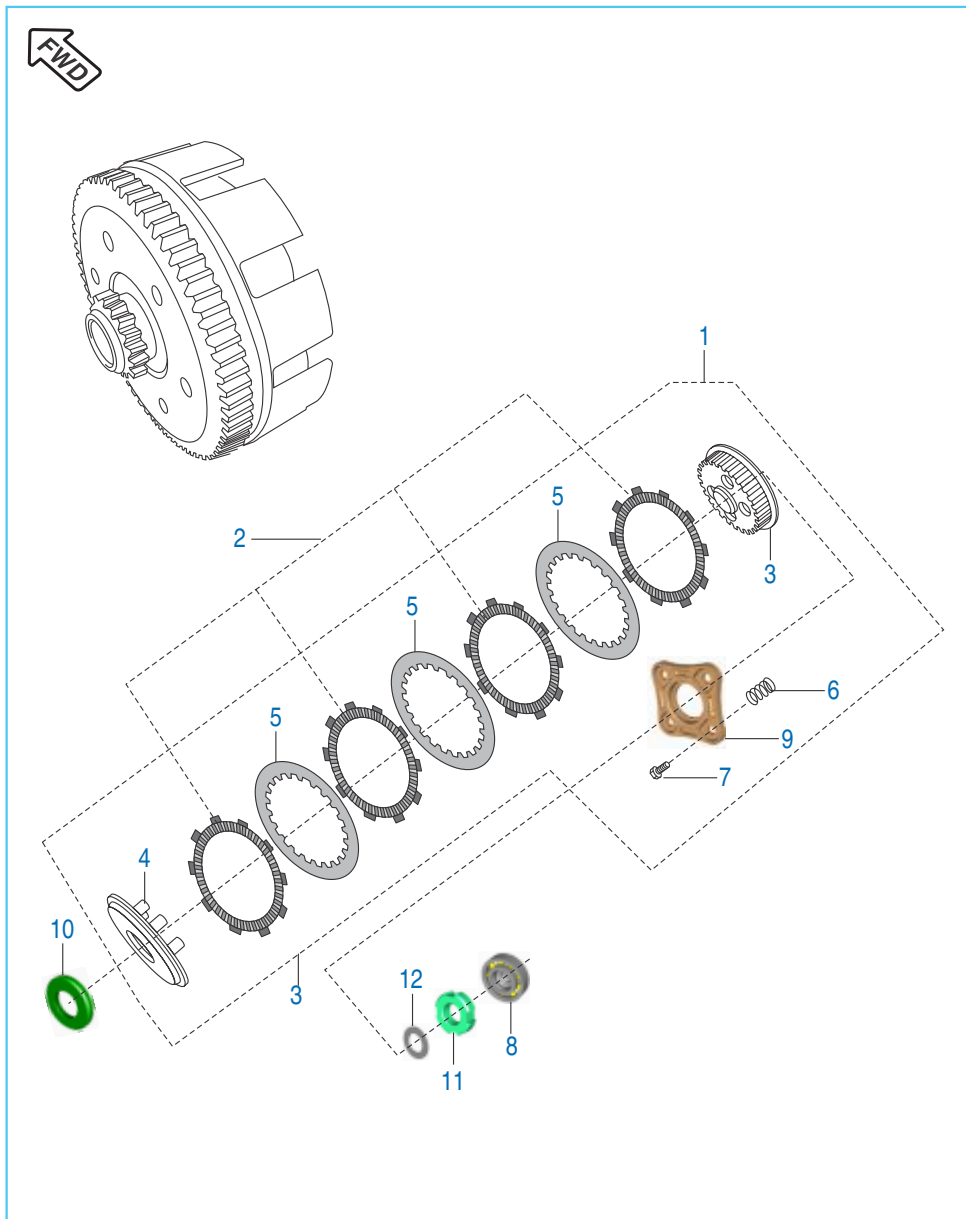
Cover Magneto



No.	Part No.	Description	Qty.	Remarks
1	52 DH13 17	Cover Magneto	1	
2	DG 1014 18	Gauge	1	
3	39 1283 21	'O' Ring	1	
4	DV 1010 42	Gasket Magneto Cover	1	
5	DS 1013 53	Bolt	5	
6	39 0999 06	Pin Dowel	2	
7	52 DH13 52	Assembly Cover LH RR Slate Gray	1	
8	AP 1010 43	Bearing Needle Bendix	1	
9	JE 5412 12	Decal DTS-I	1	
10	DJ 1610 12	Gear Shift Label	1	
11	DS 1013 53	Bolt	2	
12	DH 1012 92	Damper A Cover LH RR	1	
13	DH 1012 94	Damper B Cover LH RR	1	
14	DH 1012 93	Plate Damper Cover	1	
15	DH 1013 88	Bolt (M5 x 10	2	

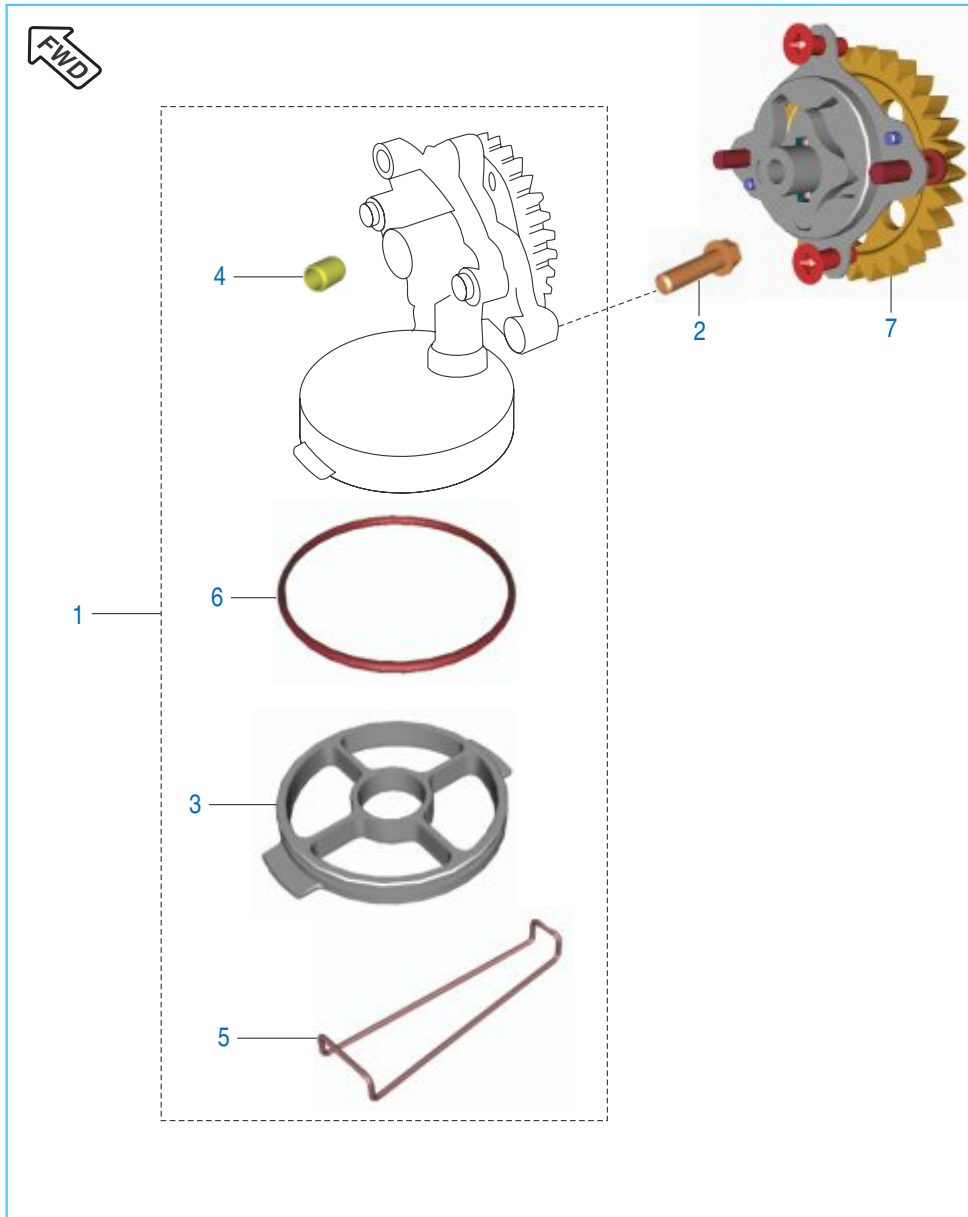


Clutch Assembly



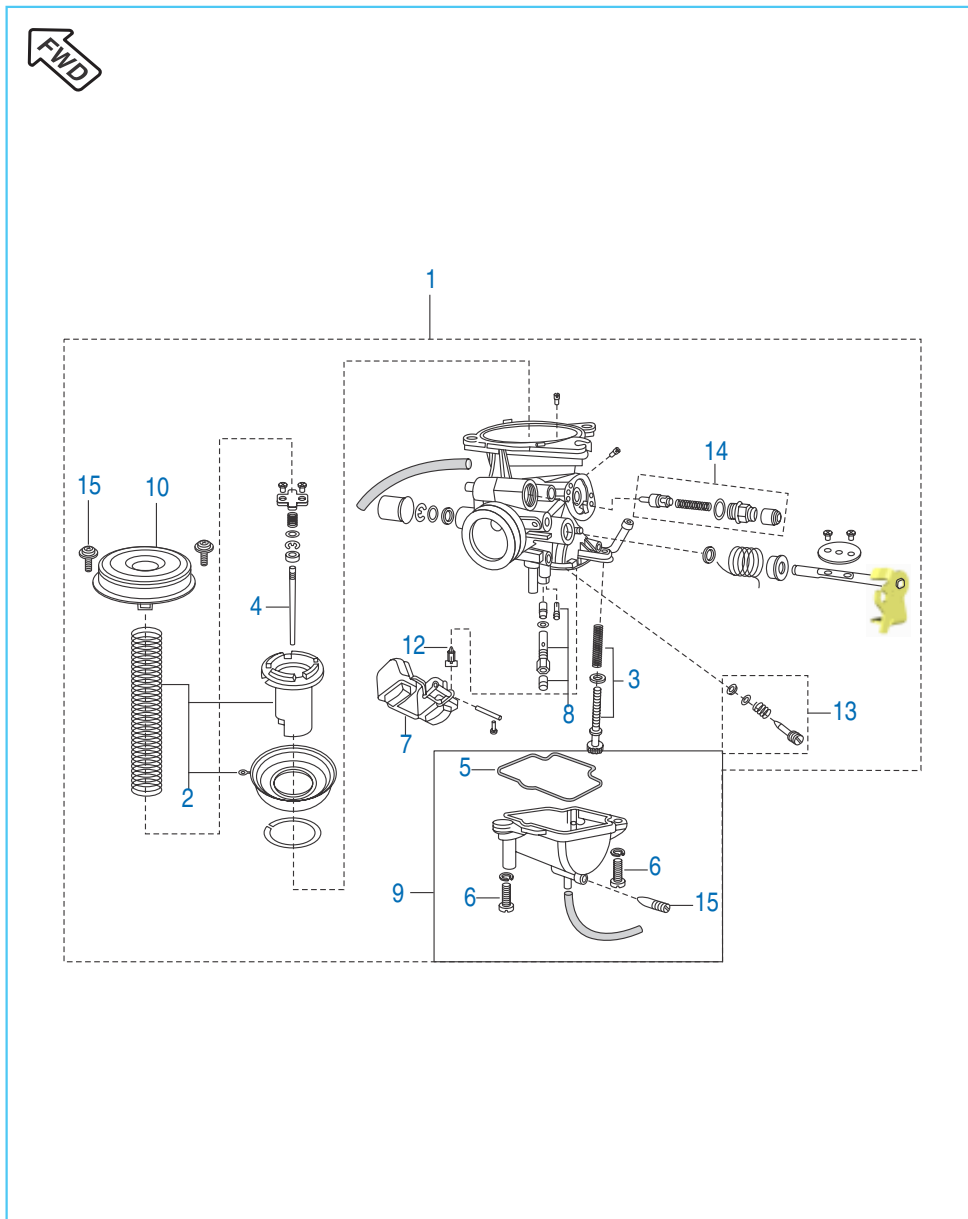
No.	Part No.	Description	Qty.	Remarks
1	DH 1022 14	Clutch Assembly Complete	1	
2	36 DH41 17	Disc Clutch Friction	1	
3	DH 1022 10	Clutch Center	1	
4	DH 1022 11	Plate Clutch Pressure	1	
5	PD 5514 33	Plate Clutch	4	
6	DH 1022 12	Spring Clutch Capacity	4	
7	DK 1015 74	Bolt	4	
8	DH 1017 95	Clutch Lifter Bearing	1	
9	JG 5514 43	Holder Clutch	1	
10	DH 1021 98	Washer Clutch Hub	1	
11	DH 1016 48	Nut Primary Drive Lock	1	LH Thread
12	39 2200 11	Washer Primary Drive Gear	1	
13	36 DH41 16	Kit Primary Drive & Driven Gear	1	Refer Kit Details

Oil Pump Assembly



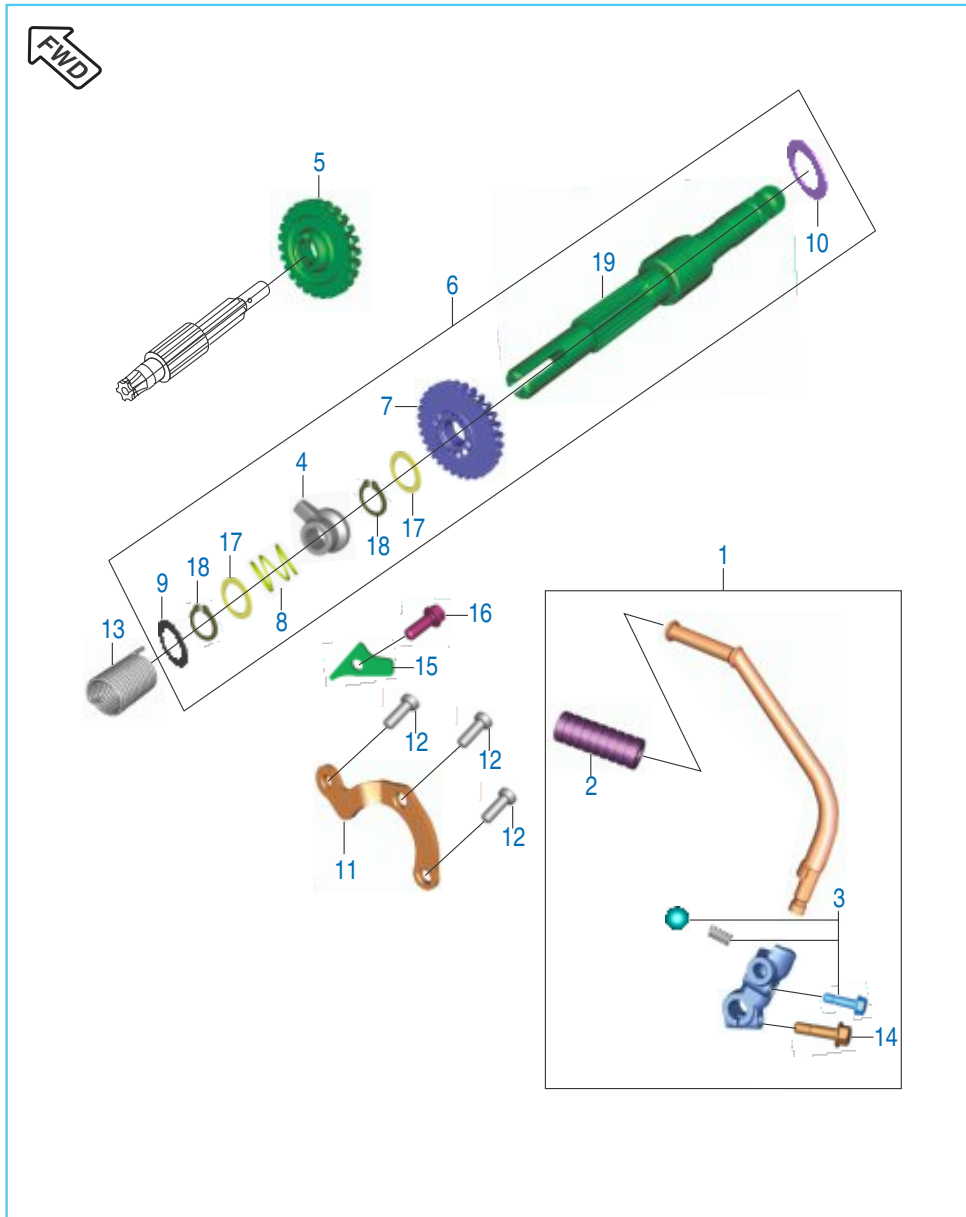
No.	Part No.	Description	Qty.	Remarks
1	52 DH01 69	Oil Pump Assembly	1	
2	39 1674 04	Hex. Bolt With Flange	3	
3	DH 1210 10	Mesh Filter Oil Pump	1	
4	39 1686 06	Hollow Dowel Pin	1	
5	DH 1210 35	Clip Mesh Oil Filter	1	
6	39 2194 21	'O' Ring	1	
7	DH 1210 09	Gear Oil Pump Driven	1	

Carburettor Assembly



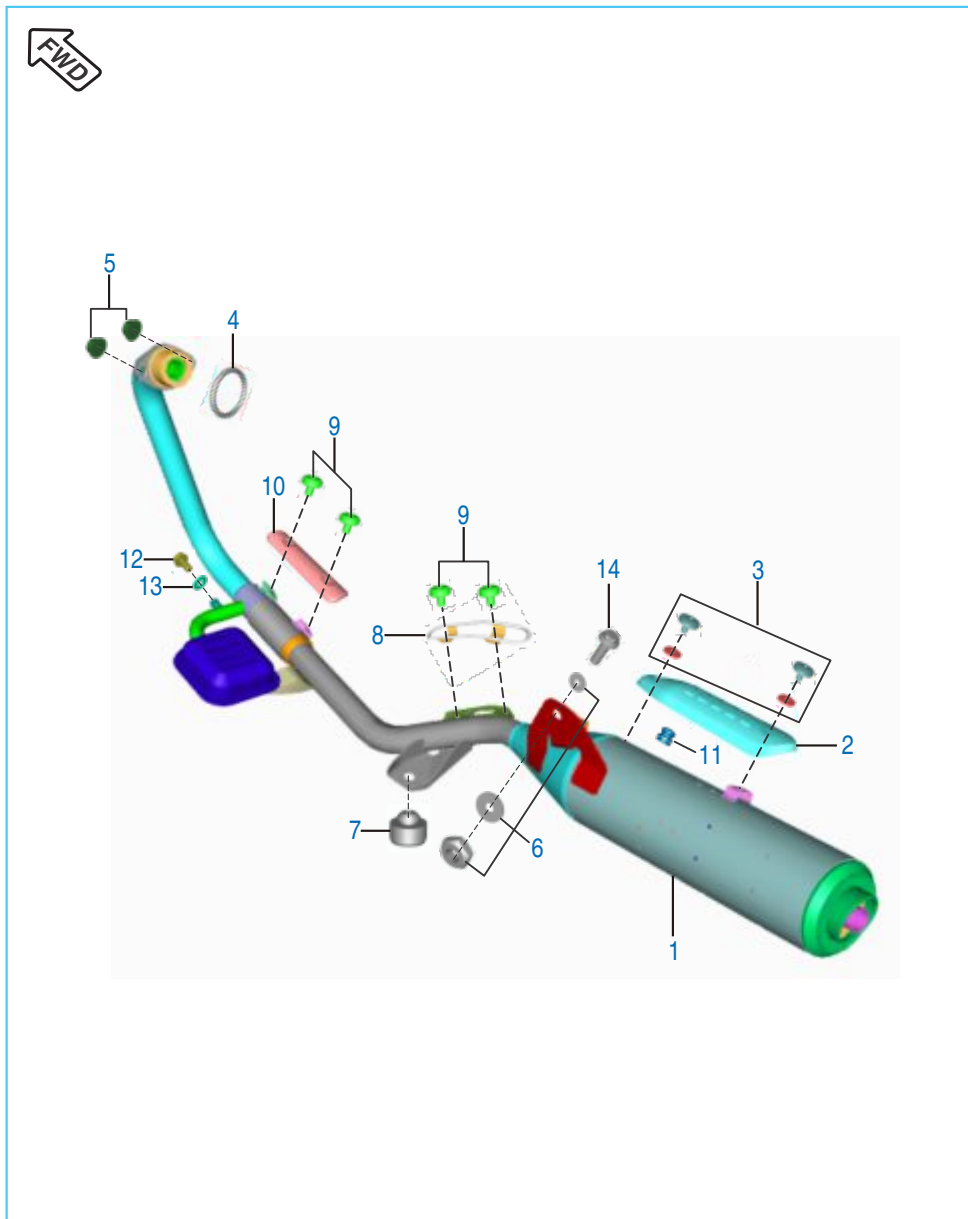
No.	Part No.	Description	Qty.	Remarks
1	DH 1212 09	Carburettor Assembly	1	
2	36 DH41 19	Vacuum Piston Kit	1	
3	DH 1211 68	Idling Screw Kit	1	
4	DH 1211 41	Jet Needle (JN)	1	
5	DH 1210 57	"O" Ring	1	
6	JA 5812 33	Screw	2	
7	DH 1211 62	Float Assembly	1	
8	36 DH41 18	Jet Kit	1	
9	DH 1211 67	Kit Float Body Assembly	1	
10	DH 1210 44	Diaphragm Cover	1	
11	39 1780 01	Pan Head Screw	2	
12	DH 1210 93	Needle Assembly	1	
13	DH 121169	Pilot Screw Kit	1	
14	DJ 1210 59	Set Plunger Assembly	1	
15	DH 1211 76	Drain Screw	1	

Kick Starter Mechanism



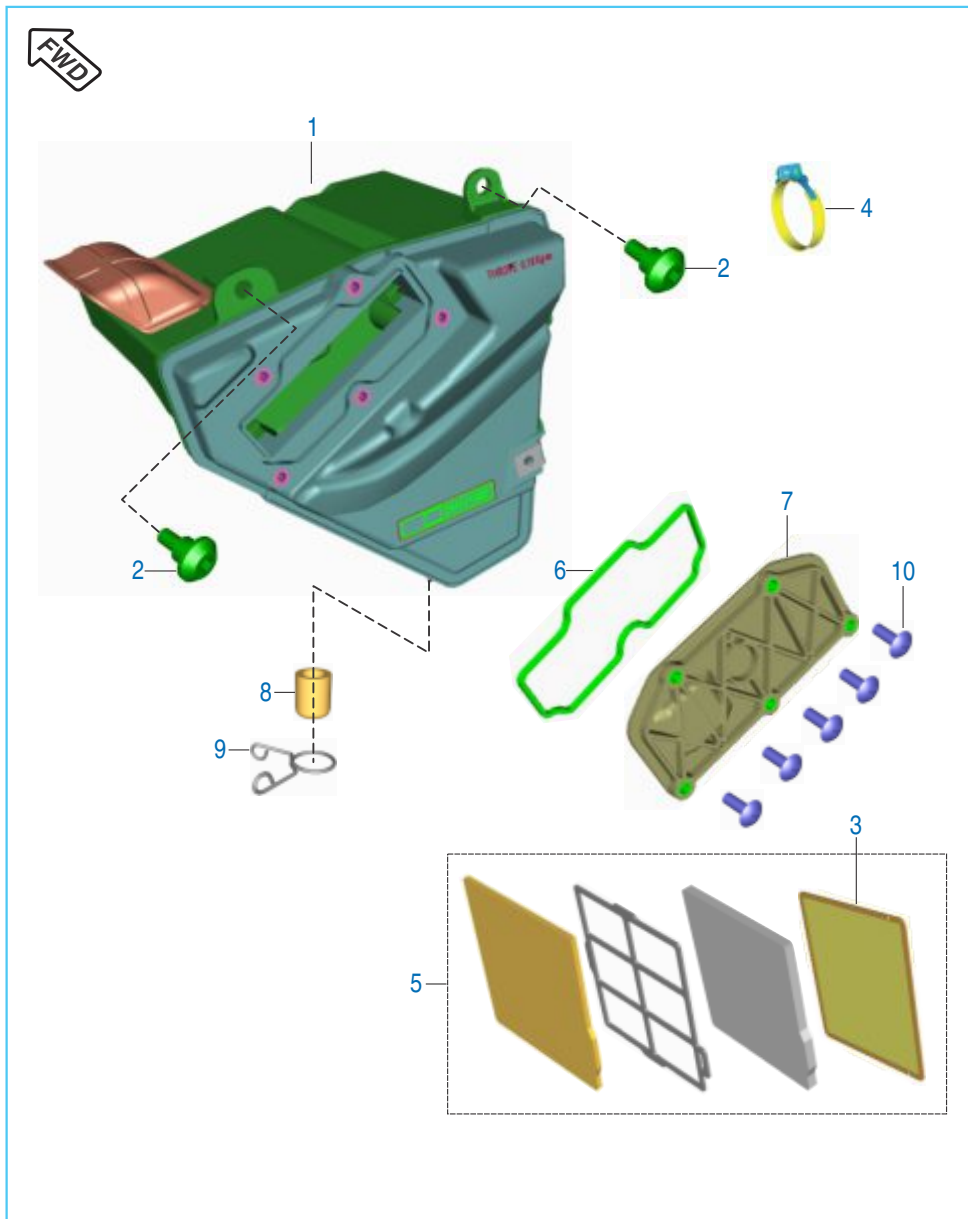
No.	Part No.	Description	Qty.	Remarks
1	DH 1015 45	Lever Kick Starter Complete	1	
2	DD 1010 97	Damper	1	
3	36 DH10 08	Boss Kick Set	1	Refer Kit List
4	DH 1015 37	Ratchet Kick Starter	1	
5	DH 1015 31	Gear Kick Idler	1	
6	DH 1015 40	Spindle Kick Starter Assembly	1	
7	DH 1013 53	Pinion Kick Starter	1	
8	DH 1011 21	Spring For Kick Starter Ratchet	1	
9	39 0993 11	Washer Thrust	1	
10	39 2344 11	Plain Washer	1	
11	DH 1015 36	Guide Kick	1	
12	DH 1015 40	Bolt Flanged	3	
13	JE 5410 08	Spring Kick Starter Return	1	
14	DH 1013 21	Bolt Flange	1	
15	DH 1015 38	Stopper	1	
16	DH 1013 85	Bolt Flanged	1	
17	39 2276 11	Washer	2	
18	39 0738 17	Circlip	2	
19	DH 1015 39	Spindle Kick Shaft	1	

Silencer Assembly



No.	Part No.	Description	Qty.	Remarks
1	YD H190 03	Silencer without Shield	1	
2	DH 1022 72	Shield Muffler	1	
3	36 DH40 11	Kit Hardware Shield	1	
4	DJ 1010 64	Gasket Exhaust	1	
5	39 1970 15	Flanged Nut	2	
6	36 DK00 09	Kit Hardware Silencer	1	
7	DG 1611 24	Damper (Main Stand)	1	
8	DH 1022 63	Wire Shield	1	
9	DH 1016 07	Truss Screw	4	
10	DH 1022 61	Shield Cat	1	
11	JB 5910 59	Damper Shield Muffler Disco - M	1	
12	DK 1016 10	Bolt (M5) (SS 304)	1	
13	39 2492 11	Plain Washer	1	
14	39 1850 04	Flanged Bolt	1	

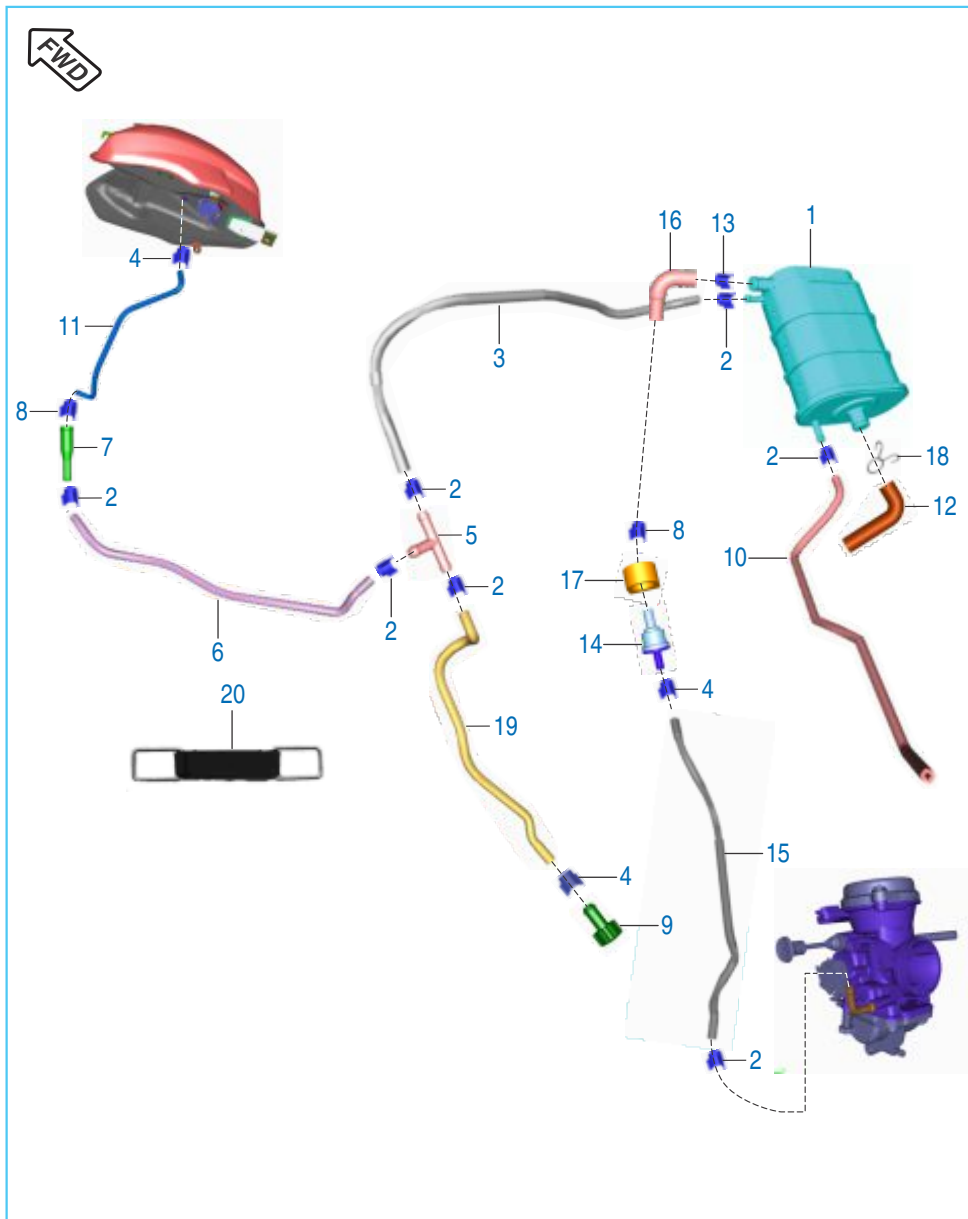
Air Cleaner Assembly



No.	Part No.	Description	Qty.	Remarks
1	DH 1212 02	Assembly Airfilter For SAI	1	
2	JY 1812 64	Step Bolt M6	1	
3	DH 1022 74	Arrester Complete Frame	1	
4	DH 1211 90	Clip Band Dia 53	1	
5	DH 1022 77	Assembly Element Air Filter	1	
6	DH 1022 81	'O' ring Air Filter Cover	1	
7	DH 1022 76	Filter Air Element Cover	1	
8	JP 5810 18	Tube Drain	1	
9	JY 5810 28	Clamp	1	
10	KB UA05 14	Screw Pan Cross	5	

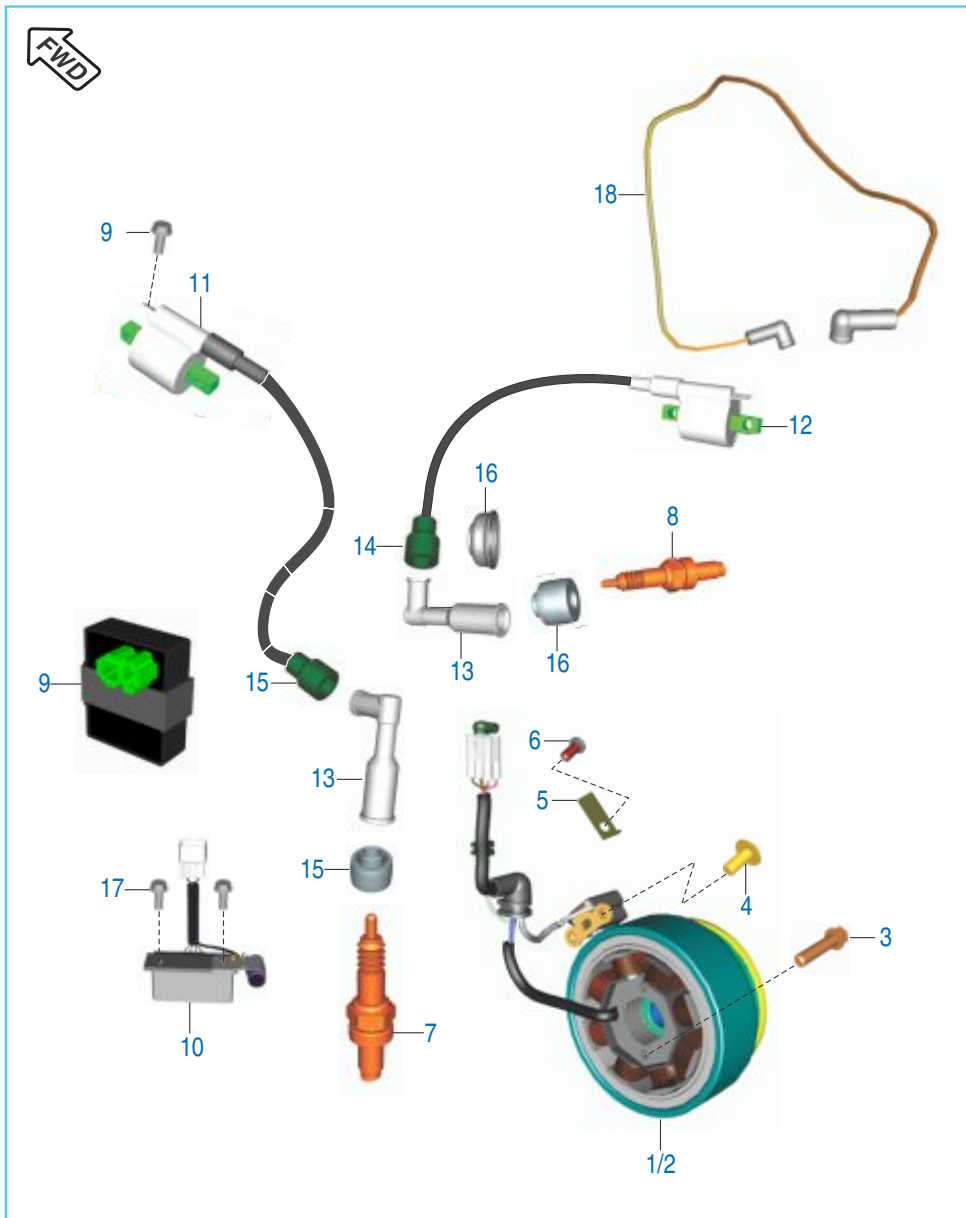


EVAP Mechanism



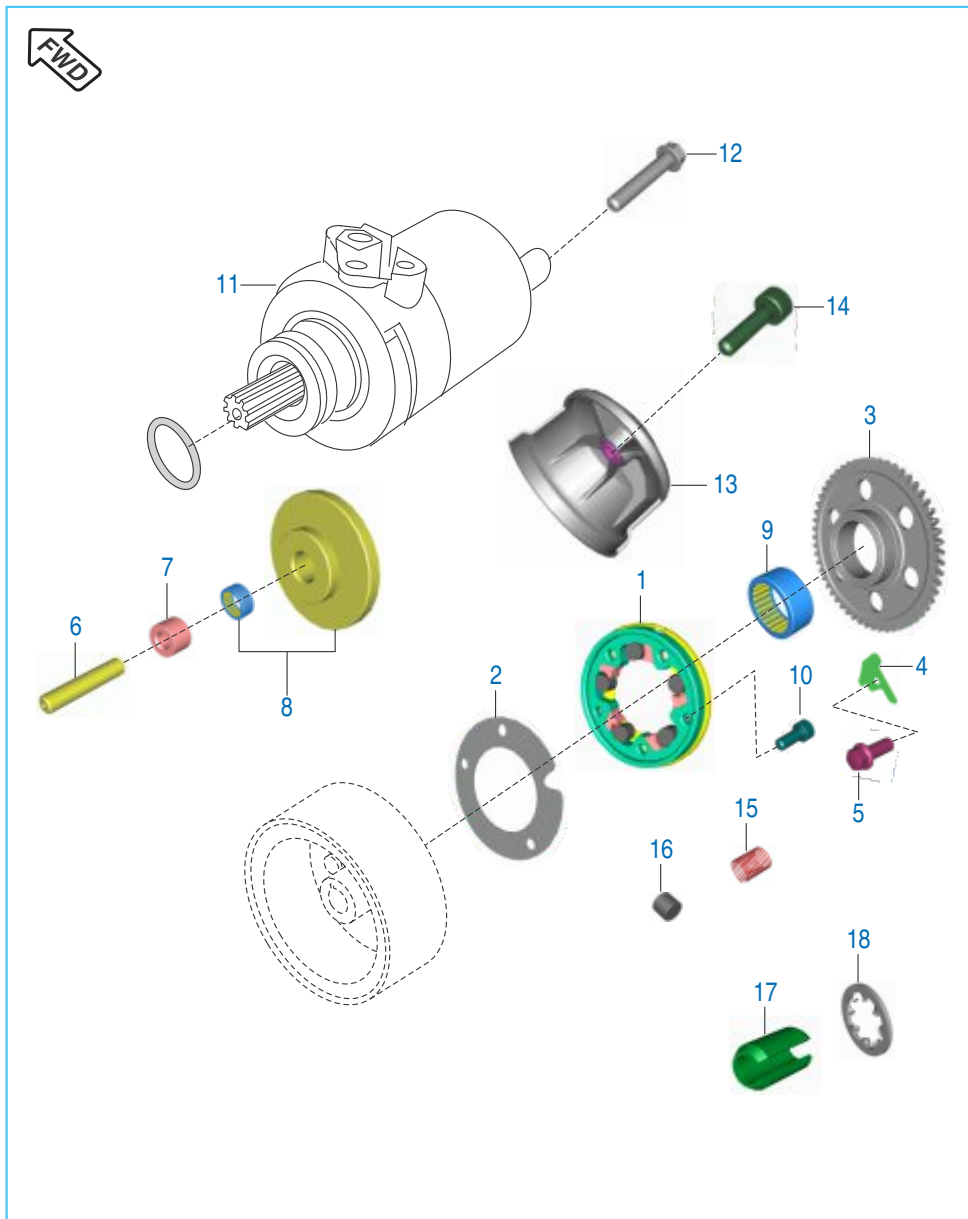
No.	Part No.	Description	Qty.	Remarks
1	JY 1710 77	Canister	1	
2	JY 1710 70	Spring Band Clamp 9 x 8.4	6	
3	DH 1410 70	Tube T Connector To Canister	1	
4	JG 1710 29	Spring Band Clamp 11.5 X 8.4	3	
5	GL 1710 36	Connector For Breather And Vapor Tube	2	
6	DH 1410 69	Tube Inline Connector To T Connector	1	
7	JG 1710 86	Tube Connector EVAP	1	
8	JY 1710 90	Spring Band Clamp 13 x 12	2	
9	JP 1718 07	Plug Fuel Drain	1	
10	DH 1410 73	Tube Canister Drain	1	
11	DH 1410 68	Tube Tank To Inline Connector	1	
12	DH 1410 74	Tube Canister Breather	1	
13	JY 1710 69	Spring Band Clamp 15 x 10	1	
14	PD 1716 16	Valve Purge	1	
15	DH 1410 72	Tube Purge Valve To Carburetor	1	
16	DH 1410 71	Tube Canister To Purge Valve	1	
17	JH 1710 48	Grommet Purge Valve	1	
18	DG 1210 40	Clamp	1	
19	DH 1410 75	Tube Drain	1	
20	DH 1614 29	Strap Canister	1	

Magneto, CDI & H.T. Coil



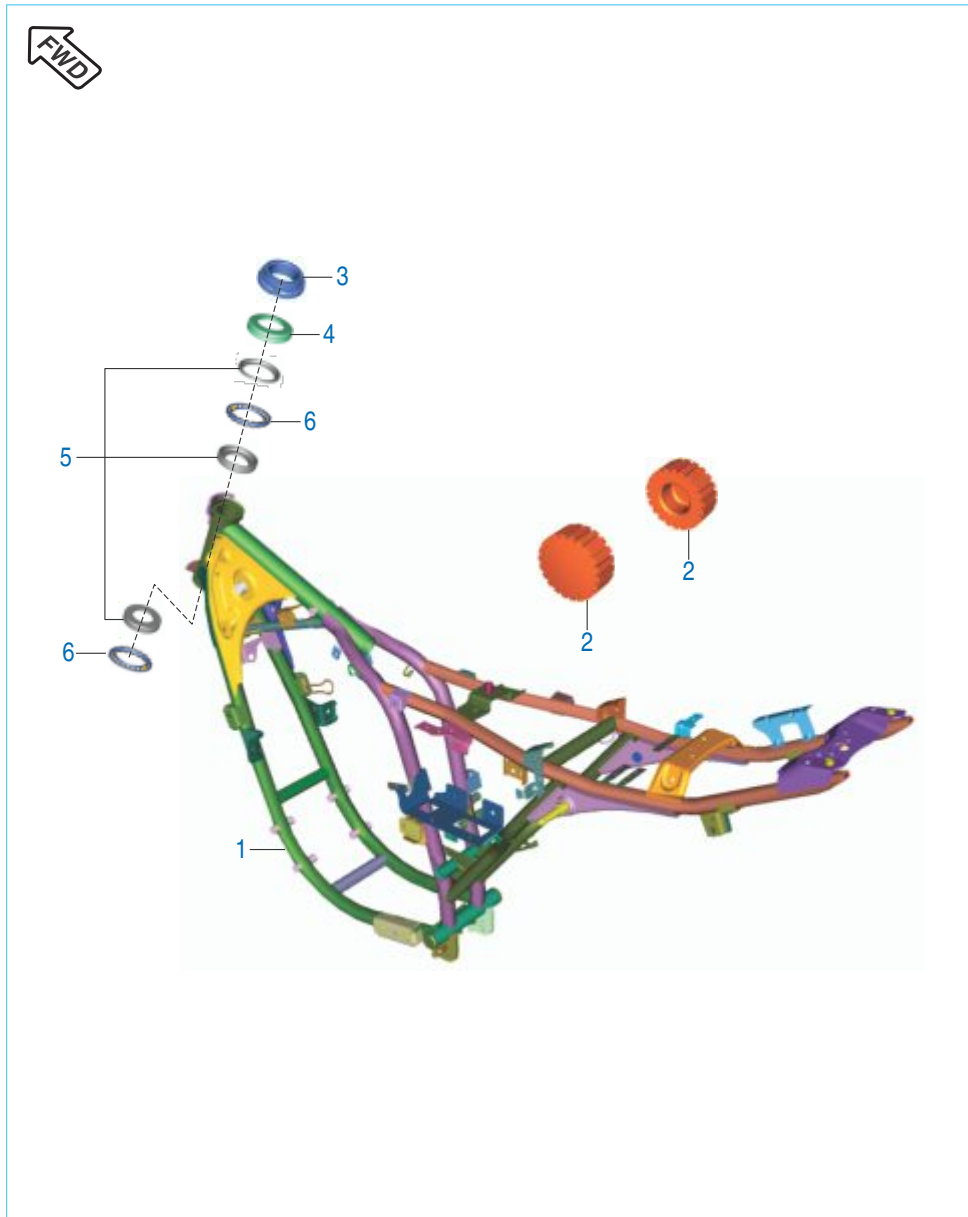
No.	Part No.	Description	Qty.	Remarks
1	DH 1110 81	Stator Assembly Comp	1	
2	DH 1110 83	Rotor Assembly	1	
3	DH 1013 86	Hex. Bolt With Flange	2	
4	DH 1013 81	Pan Head Screw	2	
5	DH 1011 99	Stopper Plate (Wiring Harness)	1	
6	DH 1013 80	Screw Pan Head	1	
7	DG 1110 08	Spark Plug	2	
8	DH 1111 04	CDI Non TPS Assembly	1	
9	39 1944 04	Flange Bolt	4	
10	DJ 2012 02	DC Regulator With Capacitor	1	
11	DH 1111 11	H.T. Coil LH	1	
12	DH 1111 13	H.T. Coil RH	1	
13	DH 1110 15	Cap Spark Plug	2	
14	DD 1110 12	Grommet H.T. Cable	2	
15	DH 1110 13	Grommet Spark Plug Cape	2	
16	JD 3512 06	Grommet Sleeve Spark Plug	1	
17	39 1944 04	Flange Bolt	2	
18	JC 2010 27	Cable Assembly St. Motor To St. Relay	1	

Starter Assembly (For Self Start)



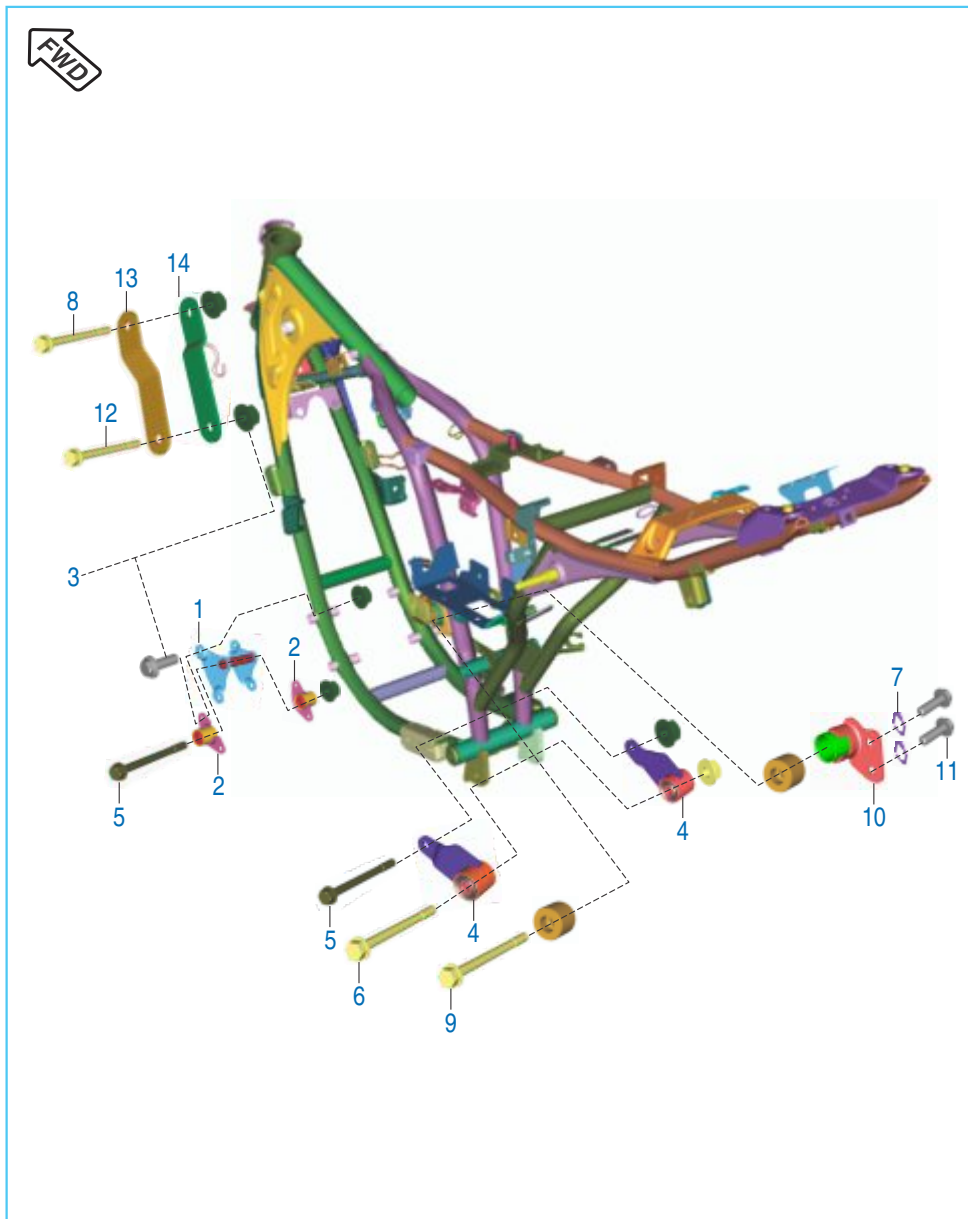
No.	Part No.	Description	Qty.	Remarks
1	DK 1015 95	Body Complete Starter Clutch	1	
2	DK 1016 05	Plate Roller Clutch	1	
3	JC 1011 12	Gear Starter Clutch (55T)	1	
4	DH 1015 81	Plate Starter Clutch Gear Return	1	
5	DH 1013 85	Bolt	1	
6	DK 1011 76	Shaft Starter Counter	1	
7	DH 1011 72	Collar Starter Counter	1	
8	JC 1011 15	Assembly Gear Starter Counter	1	
9	59 2000 07	Needle Roller Bearing	1	
10	39 0972 04	Bolt Socket M6	3	
11	DH 1110 84	Motor Assembly Starter	1	
	DH 1111 15	Motor Assembly Starter - 325 W	1	
12	DS 1013 53	Bolt	2	
13	56 DJ4E 1Y	Cover Starter Motor	1	
14	DH 1013 89	Slotted C' Sunk Screw	1	
15	DK 1015 96	Spring	5	
16	DH 1011 63	Roller	5	
17	59 1000 02	Spring Dowel	1	
18	39 0849 14	Washer Lock-Toothed	3	

Frame and Frame Fittings

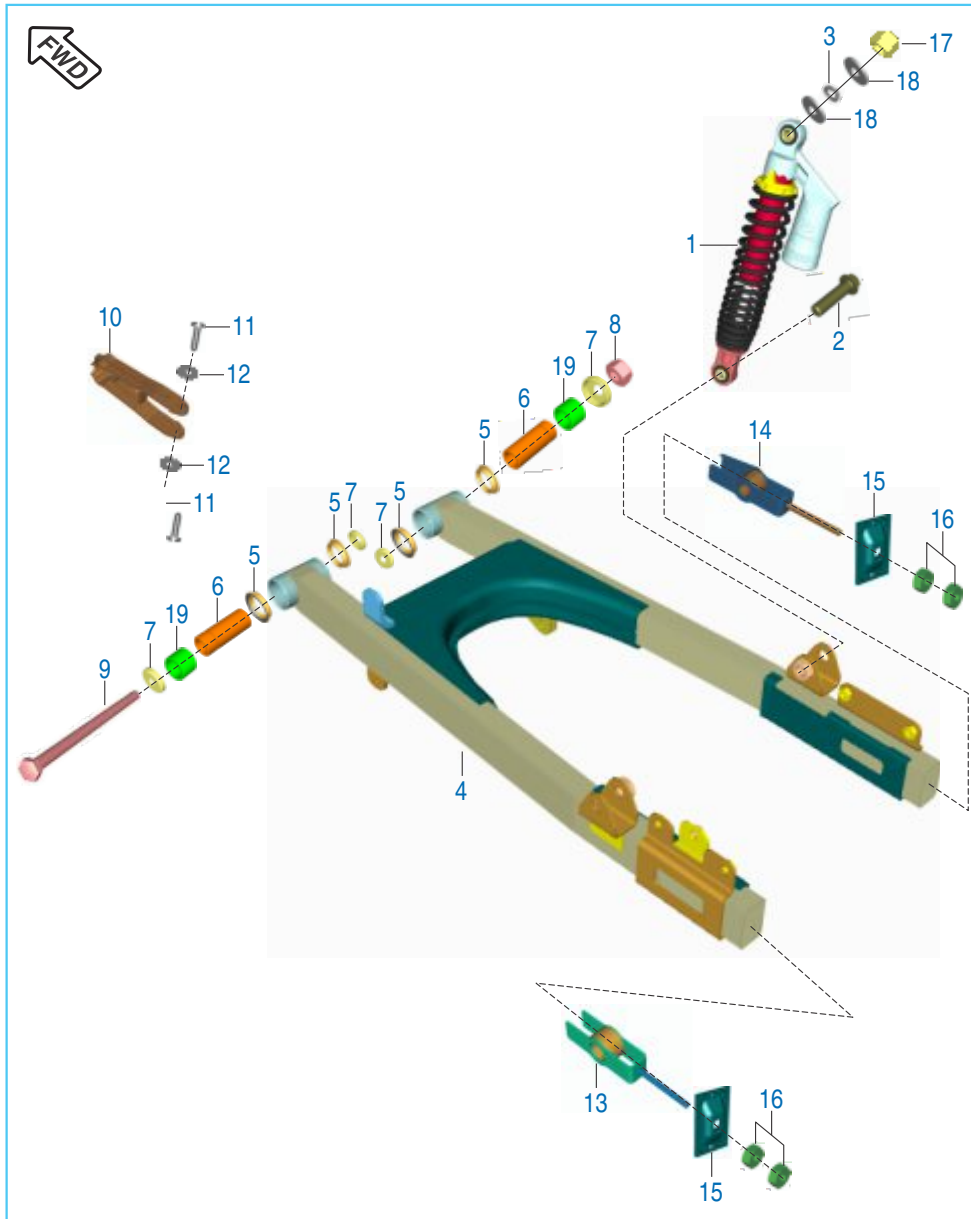


No.	Part No.	Description	Qty.	Remarks
1	DH 1614 99	Frame Assembly Complete	1	
2	DJ 1410 08	Damper Front	2	
3	DH 1811 22	Steering Nut	1	
4	JZ 1510 83	Cap Steering	1	
5	36 DS40 27	Kit St Cone with RR3 Grease	1	
6	DJ 1811 15	Ball Steel With Cage	2	
7	36 0010 52	Grease Lithon RR3	1	N. I.
8	DD 1910 15	Rubber Clutch Cable Clamp	1	N. I.

Engine Mountings



No.	Part No.	Description	Qty.	Remarks
1	DH 1615 40	Bracket Assembly Engine Mounting Front	1	
2	DH 1614 95	Assembly Engine Mounting Bracket Front	2	
3	36 DK00 11	Kit Hardware Engine Mounting	4	
4	DH 1614 97	Assembly Bracket Engine Mtg Lower Rear	2	
5	39 2413 04	Bolt Flanged	1	
6	39 2412 04	Bolt Flanged	1	
7	39 1040 11	Washer	1	
8	39 2658 04	Bolt	1	
9	39 2414 04	Hex. Socket HD Cap Bolt	1	
10	DH 1613 01	Bracket Complete RH Engine Rear	1	
11	39 2310 04	Flanged Bolt	2	
12	39 2311 04	Bolt	1	
13	DJ 1610 88	Assembly Bracket Eng Mounting Top LH	1	
14	DH 1615 51	Assembly Bracket Eng Mounting Top RH	1	



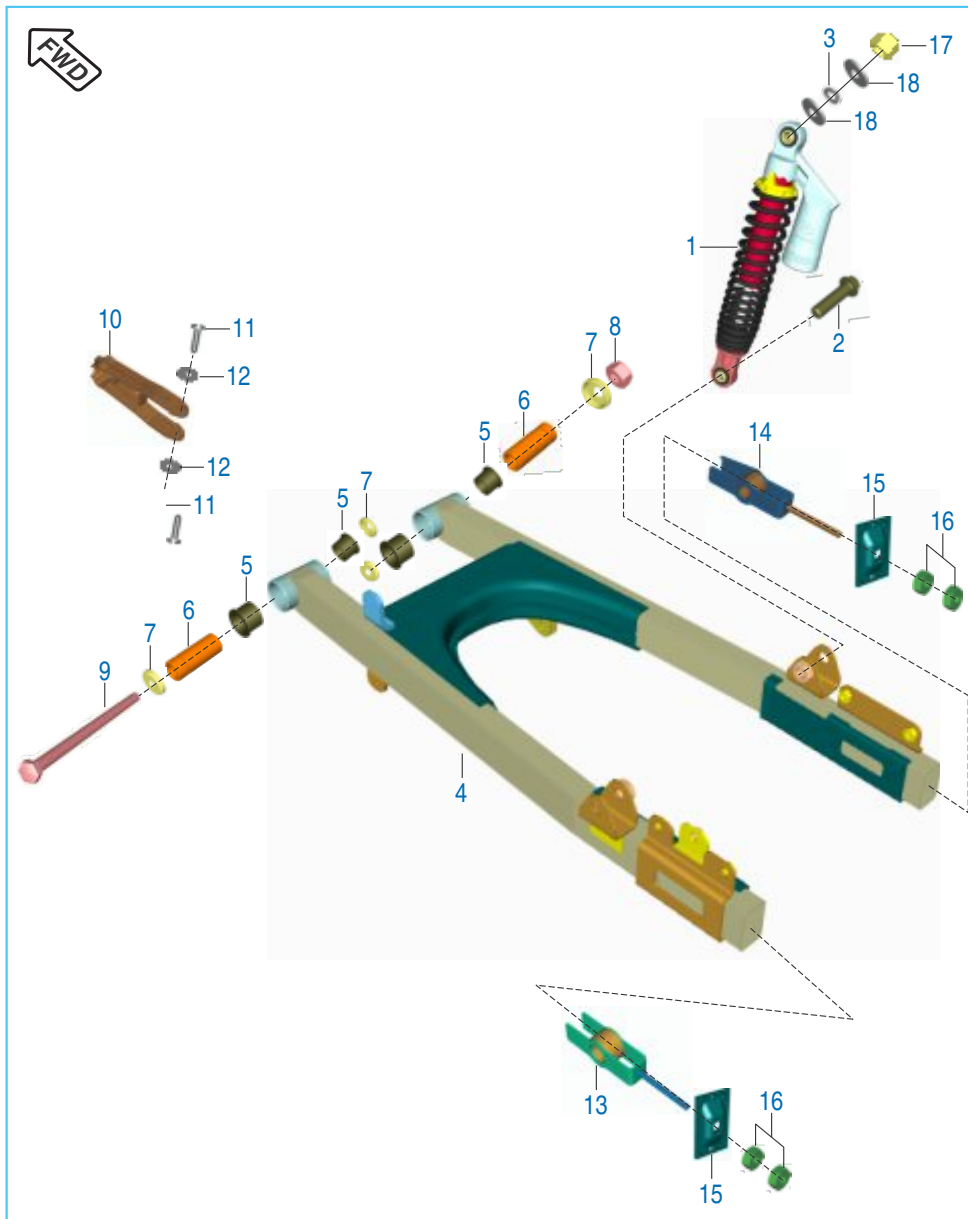
**FWD** Front Wheel Direction

Swing Arm With NRB Bearing/ Rear Shock Absorber

No.	Part No.	Description	Qty.	Remarks
1	DH 1710 23	Rear Shock Absorber	2	
2	JB 1220 16	Bolt Pre-coated	2	
3	39 1829 12	Spring Washer	2	
4	DJ 1710 45	Swing Arm Assembly	1	
5	JH 1220 09	Seal Dust	4	
6	DH 1710 31	Sleeve Swing Arm	2	
7	DH 1710 15	Dust Seal Swing Arm	4	
8	DH 1710 19	'U' Nut Swing Arm	1	
9	DH 1710 12	Shaft Swing Arm	1	
10	DJ 1710 08	Chain Slider	1	
11	39 0553 02	Screw	2	
12	39 0454 11	Plain Washer	2	
13	DJ 1510 36	Adjuster Chain LH	1	
14	DJ 1510 37	Adjuster Chain RH	1	
15	DJ 1510 47	Plate Chain Adjuster	2	
16	DH 1710 24	Plain Washer	2	
17	39 2366 15	Nut Domed Cap	2	
18	DG 1710 25	Washer	4	
19	JH 1220 13	Bearing Needle	2	

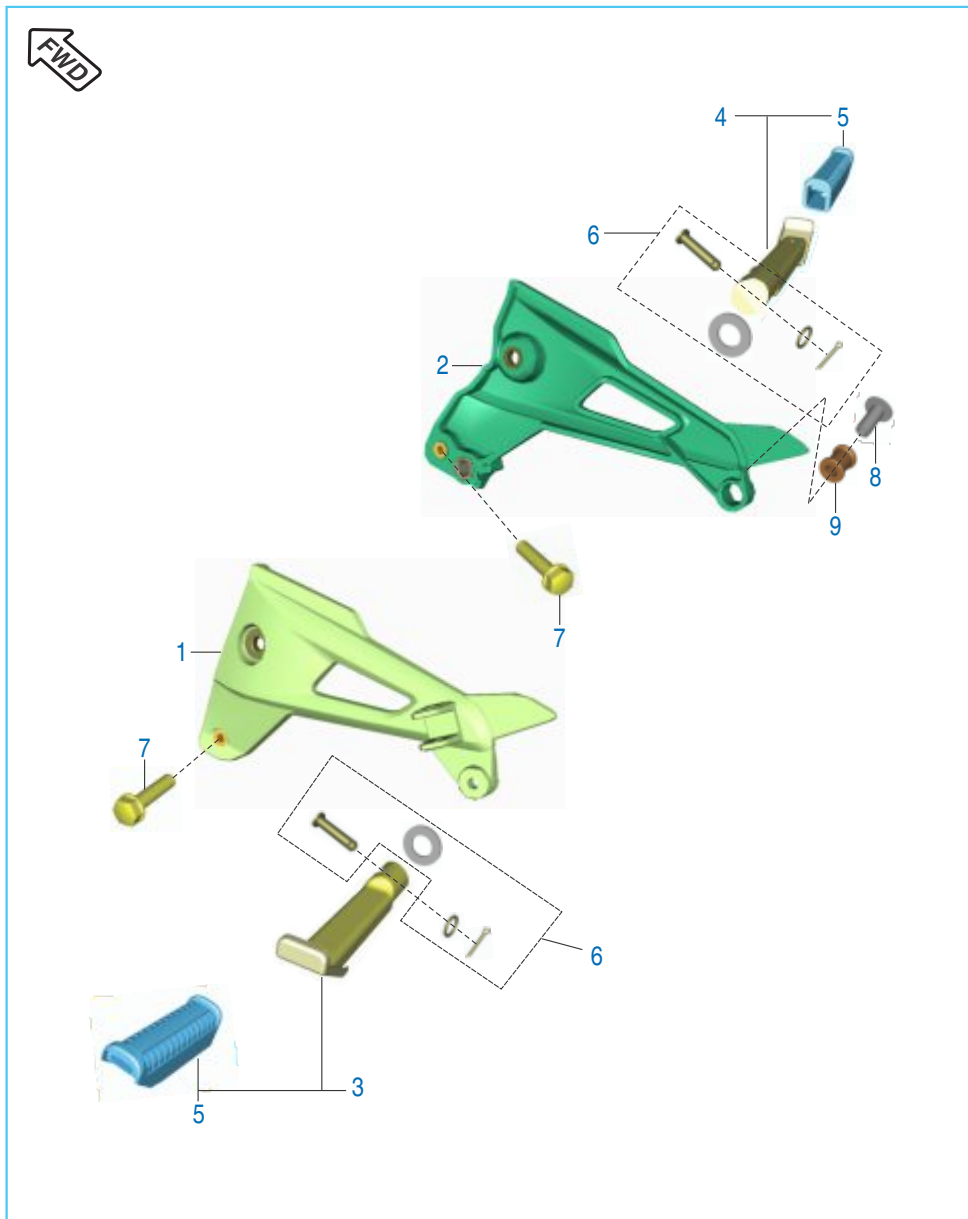


Swing Arm With Bush / Rear Shock Absorber



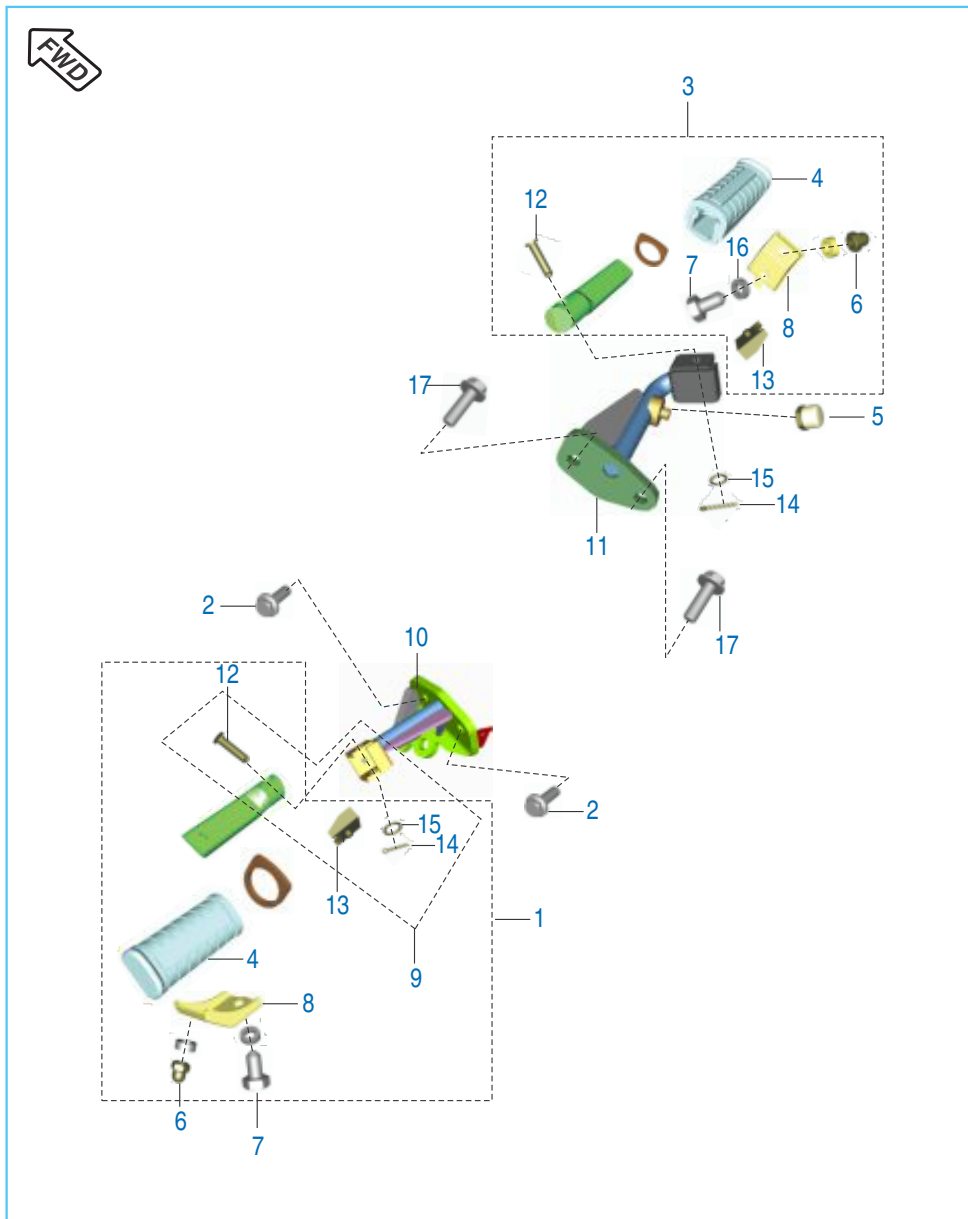
No.	Part No.	Description	Qty.	Remarks
1	DH 1710 23	Rear Shock Absorber	2	
2	JB 1220 16	Bolt Pre-coated	2	
3	39 1829 12	Spring Washer	2	
4	DJ 1710 31	Swing Arm Assembly	1	
5	DH 1710 14	Bush Swing Arm	4	
6	DH 1710 13	Sleeve Swing Arm	2	
7	DH 1710 15	Dust Seal Swing Arm	4	
8	DH 1710 19	'U' Nut Swing Arm	1	
9	DH 1710 12	Shaft Swing Arm	1	
10	DJ 1710 08	Chain Slider	1	
11	39 0553 02	Screw	2	
12	39 0454 11	Plain Washer	2	
13	DJ 1510 36	Adjuster Chain LH	1	
14	DJ 1510 37	Adjuster Chain RH	1	
15	DJ 1510 47	Plate Chain Adjuster	2	
16	DH 1710 24	Plain Washer	2	
17	39 2366 15	Nut Domed Cap	2	
18	DG 1710 25	Washer	4	

Pillion Foot Rest / Holder



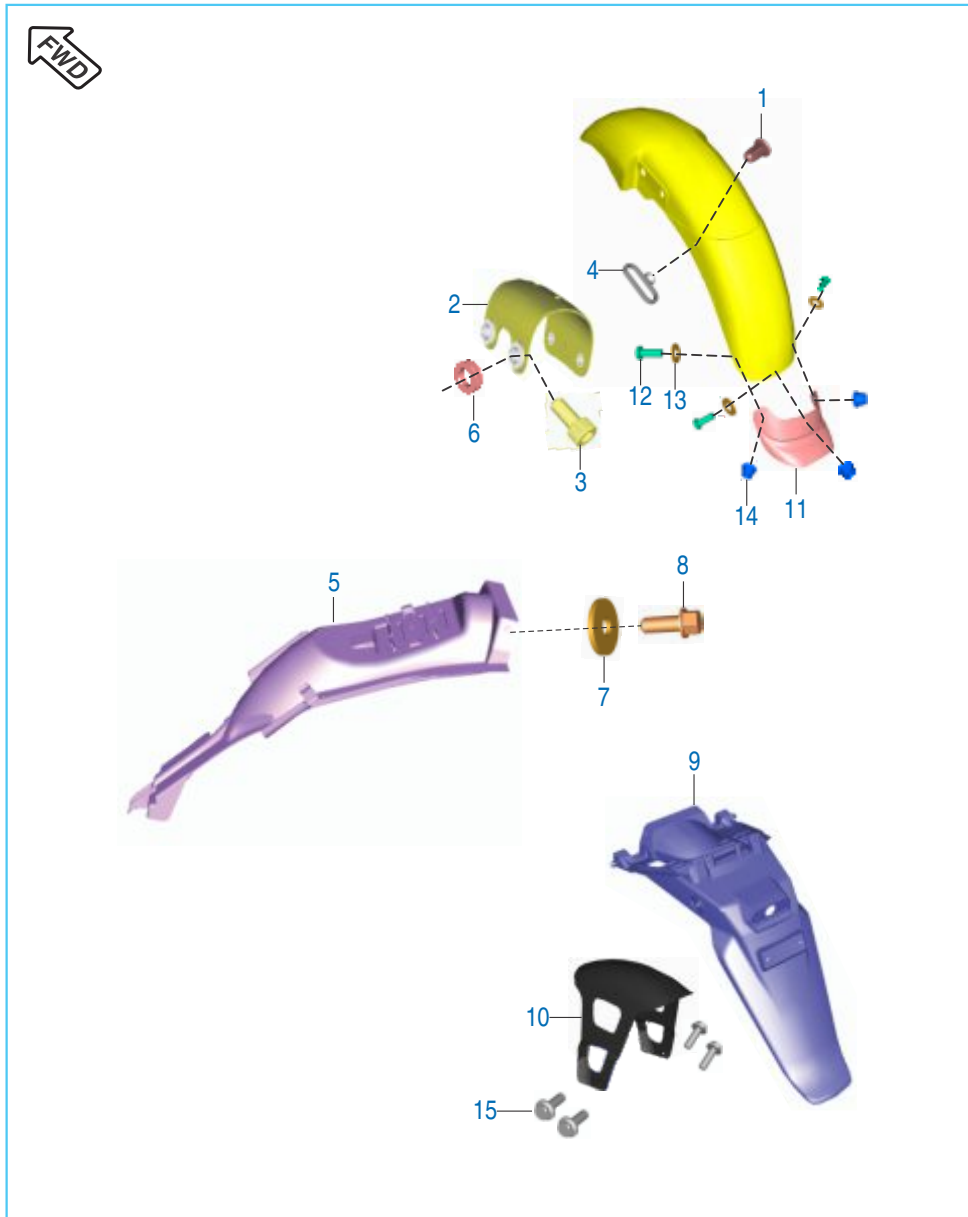
No.	Part No.	Description	Qty.	Remarks
1	56 DH3X 1Y	Holder Step LH Slate Gray	1	
2	56 DH3Y 1Y	Holder Step RH Slate Gray	1	
3	DJ 1611 28	Pillion Step Assembly Complete LH	1	
4	DJ 1611 29	Pillion Step Assembly Complete RH	1	
5	DJ 1611 22	Rubber Pillion Step	2	
6	36 DK00 13	Kit Hardware Pillion	2	Refer Kit List
7	39 1714 04	Flanged Bolt	2	
8	DJ 1612 78	Tube Silencer With Washer	1	
9	DH 1611 55	Damper Silencer Mounting	1	

Rider Foot Rest



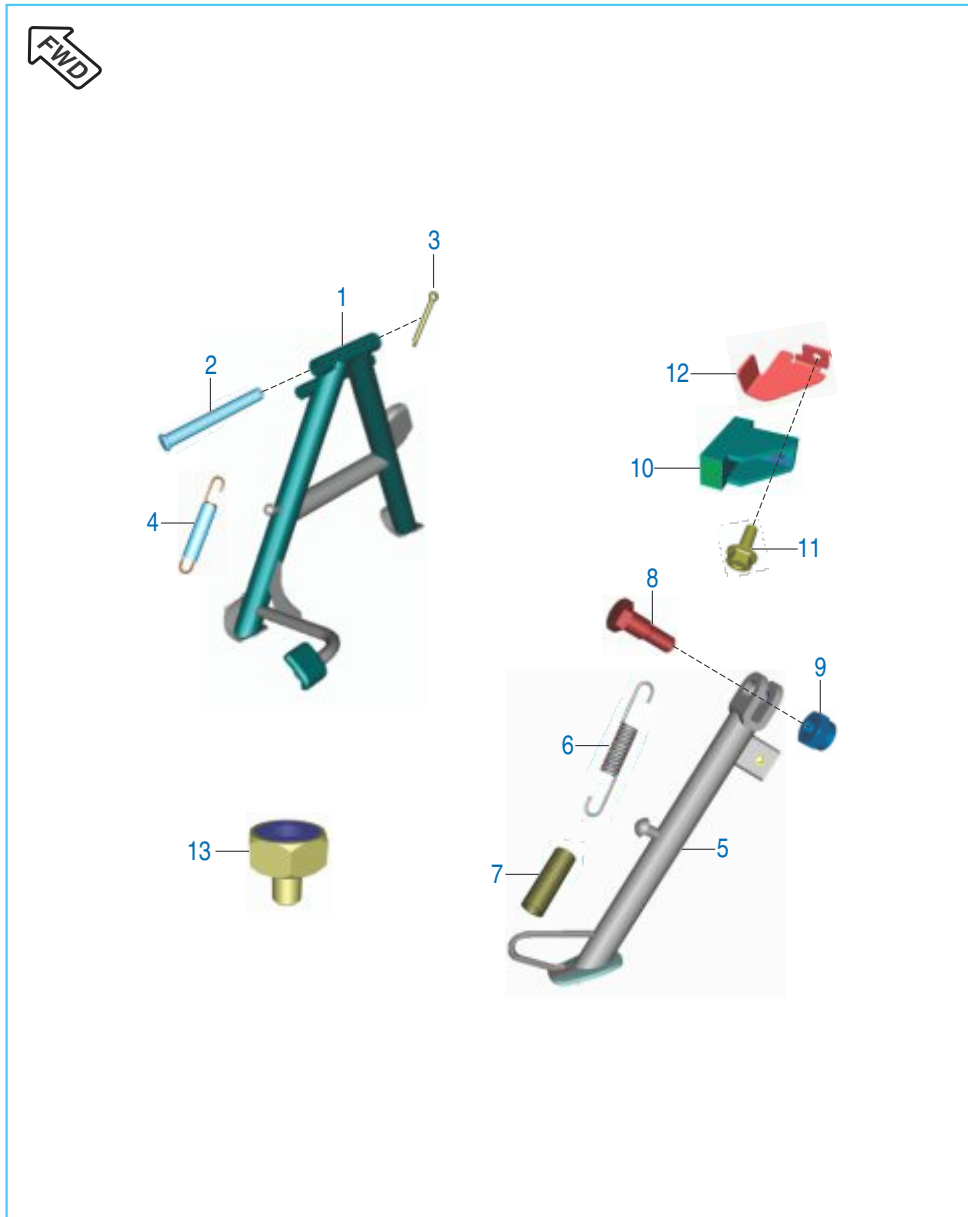
No.	Part No.	Description	Qty.	Remarks
1	DJ 1611 26	Main Step LH Assembly Complete	1	
2	LA D001 26	Bolt Flanged	2	
3	DJ 1611 27	Main Step RH Assembly Complete	1	
4	DH 1610 53	Rubber Main Step	2	
5	DH 1611 94	Kick Stopper	1	
6	39 0963 15	Domed Cap Nut	2	
7	22 1504 51	Bolt Hexagon Head	2	
8	DH 1610 56	Plate Complete Low Main step	2	
9	36 DK00 13	Kit Hardware Main Step	2	
10	DH 1614 68	Main Step LH	1	
11	DH 1614 70	Main Step RH	1	
12	DH 1610 57	Pin Main Step	2	
13	DJ 1610 90	Damper Foot Step	2	
14	39 0784 08	Pin - Split	2	
15	30 1410 31	O Ring	2	
16	DH 1611 00	Spacer Main Step	4	
17	KA DA08 20	Bolt Flanged	2	

Mudguard - Front & Rear



No.	Part No.	Description	Qty.	Remarks
1	DJ 1610 69	Nail For Cable Guide	1	
2	DH 1612 58	Brace Fender	1	
3	DG 1810 08	Socket Bolt	4	
4	DS 1611 25	Cable Guide	1	
5	DH 1614 24	Fender Rear Front	1	
6	DJ 1610 91	Grommet Front Fender	4	
7	39 0711 11	Plain Washer	2	
8	39 1943 04	Flange Bolt	2	
9	DJ 1612 54	Fender Rear	1	
10	DJ 1612 21	Cover Mud Rear	1	
11	DH 1615 59	Flap Fender Front	1	
12	KB BJ05 14	Screw Pan Cross	3	
13	KD BF05 12	Washer Plain	3	
14	KC KE05 07	Nut Nyloc Flange	3	
15	LA D000 15	Flange Bolt	4	

Center & Side Stand Assembly



No.	Part No.	Description	Qty.	Remarks
1	DJ 1612 14	Stand Main	1	
2	30 1611 57	Shaft Stand	1	
3	39 0787 08	Pin Cotter	1	
4	DH 1612 39	Spring Main Stand with Cover	1	
5	DH 1614 71	Stand Side	1	
6	DH 1610 66	Spring Side Stand	1	
7	DH 1611 46	Cover Spring Side Stand	1	
8	DF 1611 02	Bolt	1	
9	39 0422 15	Nut	1	
10	DH 2010 93	Side Stand Switch	1	
11	KA DD05 14	Bolt	1	
12	JZ 1138 13	Cover For Switch Side Stand	1	
13	JL 4036 00	Magnet Holder	1	

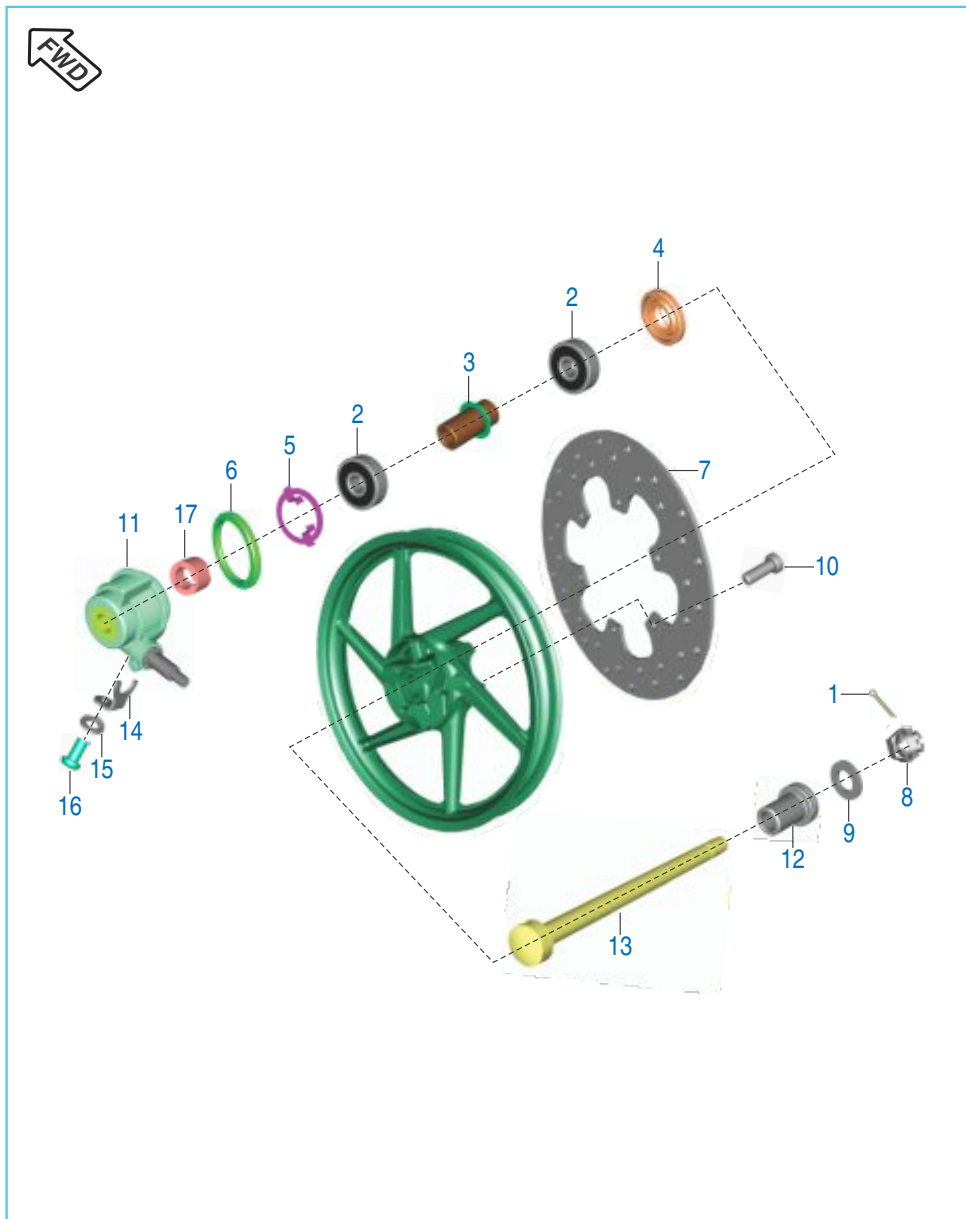
Tube / Tyre / Rim



No.	Part No.	Description	Qty.	Remarks
1	DH 1510 77	Wheel Front 1.85 x 17 (tubeless)	1	Tyre & Tubes are not supplied through spare parts.
2	JF 1310 10	Tyre Front 80 / 100 - 17 Tubeless	1	
3	DH 1510 79	Wheel Rear 2.15 x 17 (Tubeless)	1	
4	JF 1312 11	Tyre Rear 100 / 90-17 Tubeless	1	
5	DK 1510 26	Valve Tubeless Tyre	1	

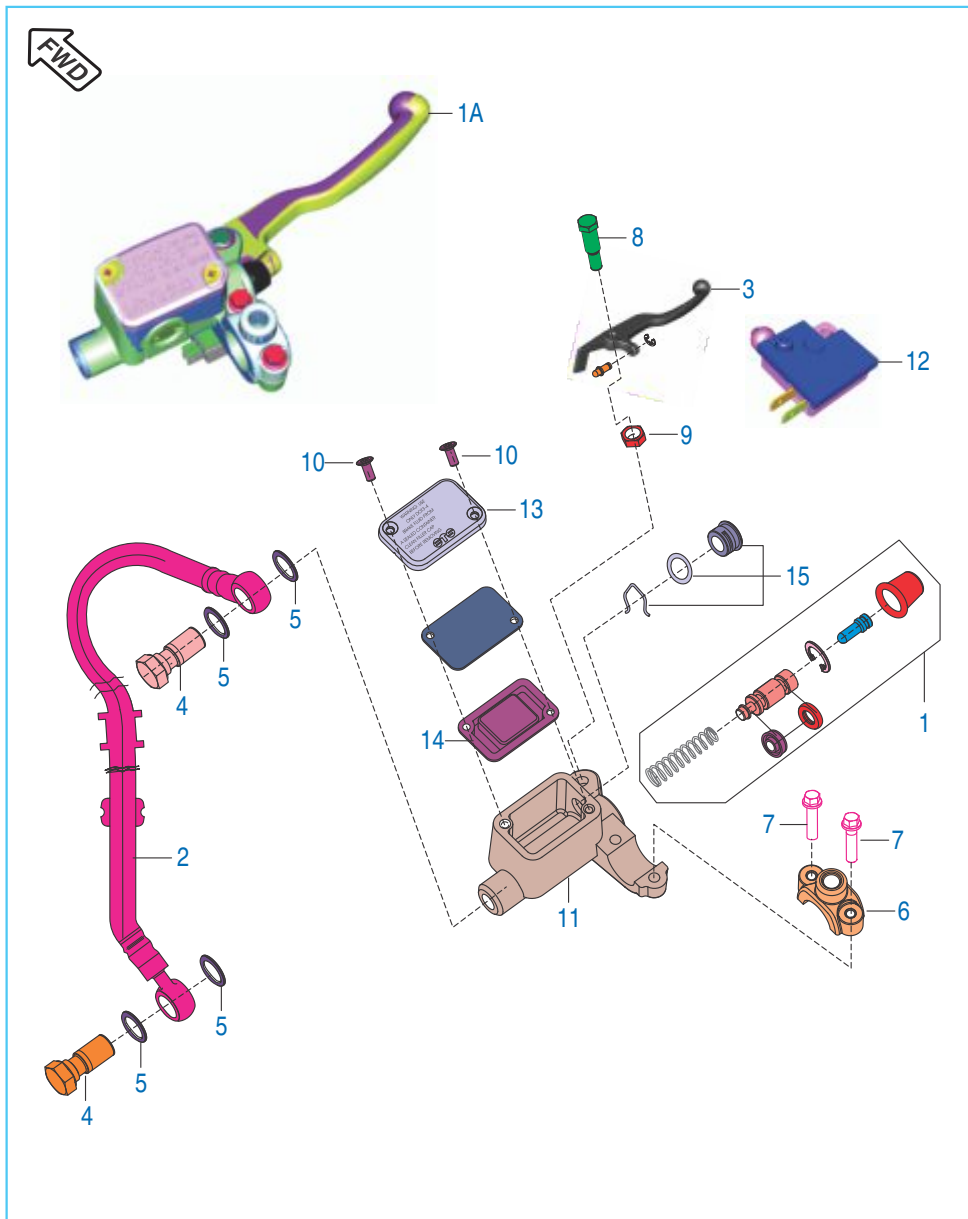


Front Wheel Assembly



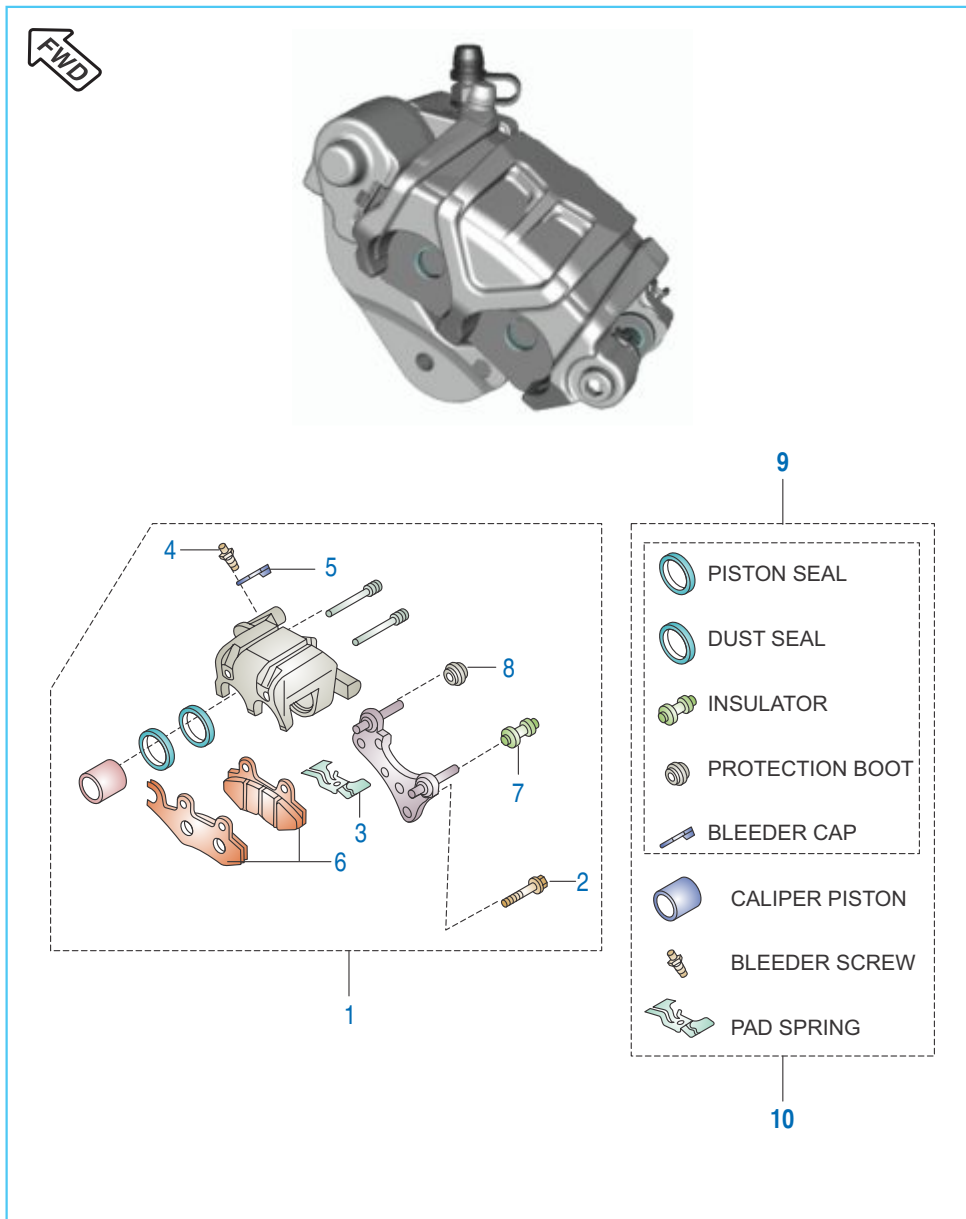
No.	Part No.	Description	Qty.	Remarks
1	39 0787 08	Pin Cotter	1	
2	KP BC63 01	Bearing Ball	2	
3	DE 1510 06	Spacer Assembly	1	
4	30 1510 33	Seal Oil	1	
5	DE 1510 12	Plate Drive	1	
6	DE 1510 08	Seal Oil	1	
7	DH 1510 81	Disc	1	
8	59 1500 03	Hex. Slotted Nut	1	
9	JB 1310 18	Plain Washer	1	
10	DH 1016 47	Bolt - Socket Head M6 Pre - Coated	6	
11	JN 1316 03	Case Meter Assembly	1	
12	DJ 1811 31	Wheel Spacer	1	
13	JB 1310 17	Axle	1	
14	30 1511 18	Stopper For Bushing	1	
15	39 0900 12	Washer	1	
16	KB BM04 08	Screw Pan Cross - M4 x 0.7 x L8 x bright	1	
17	DJ 1510 94	Rotor Speedo - +	1	

Front Master Cylinder Assembly



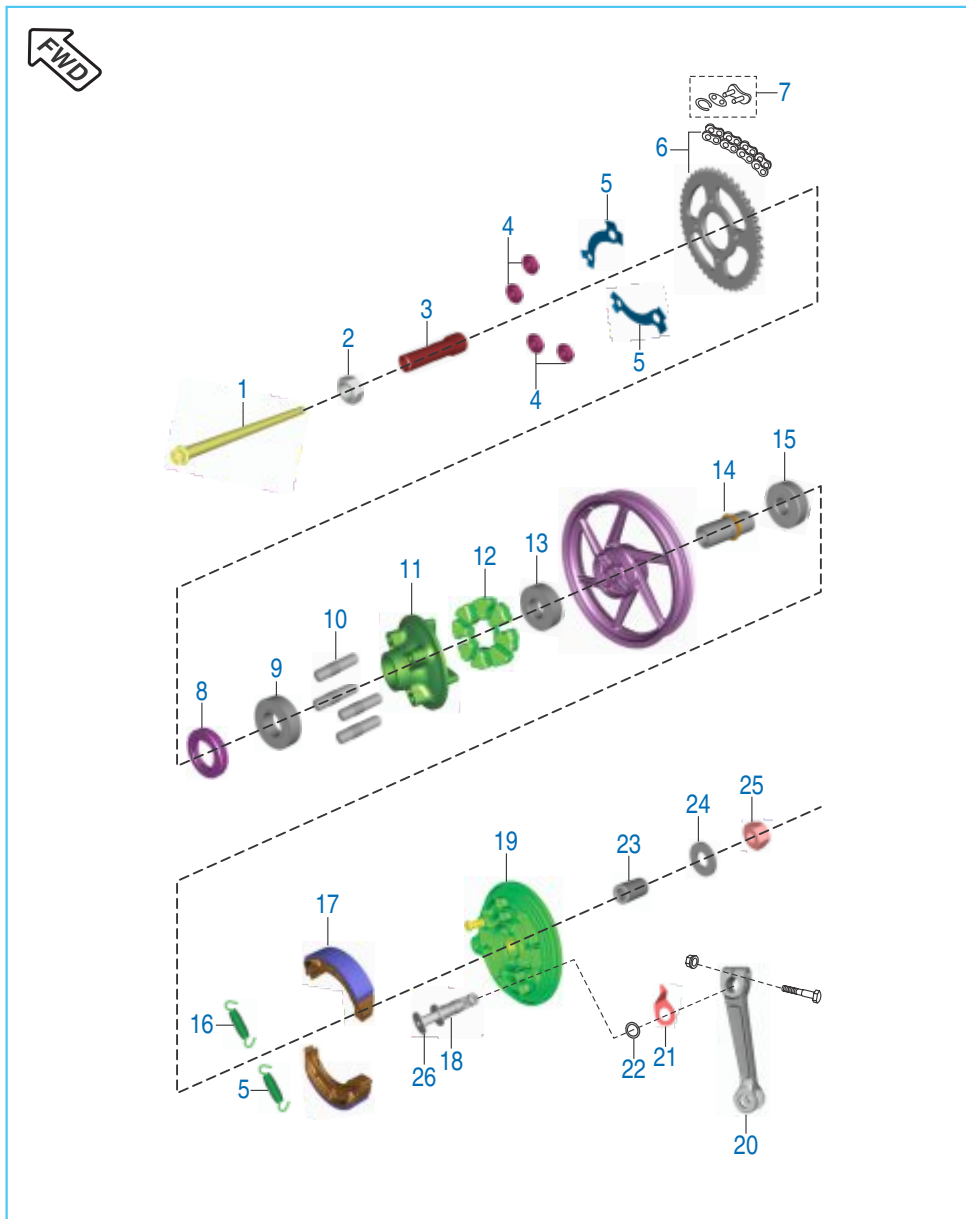
No.	Part No.	Description	Qty.	Remarks
1	36 DJ40 31	Kit Major Mast Cylinder & Grease-End	1	
	36 DH40 48	Kit Major Mast Cylinder & Grease-Bra	1	
1A	DJ 1910 56	Master Cyl. Assy With Lever	1	
2	DJ 1510 76	Hose Brake Front	1	
3	DJ 1910 57	Brake Lever	1	
4	DK 1510 69	Banjo Bolt	2	
5	DE 1910 10	Washer Copper	4	
6	DJ 1910 27	Clamp Holder RH	1	
7	DJ 1910 28	Bolt	1	
8	DJ 1910 29	Bolt Front Brake Lever	1	
9	DJ 1910 30	Nut Flanged	1	
10	DJ 1910 31	Screw	2	
11	DJ 1910 32	Cylinder Master	1	
	DE 1510 15	Cylinder Master	1	KBX
12	DJ 2011 09	Front Brake Switch	1	
13	DJ 1910 34	Reservoir Cover	1	
14	DJ 1910 35	Diaphragm	1	
15	36 DH19 02	Oil Window Kit	1	

Front Brake - Caliper & Disc



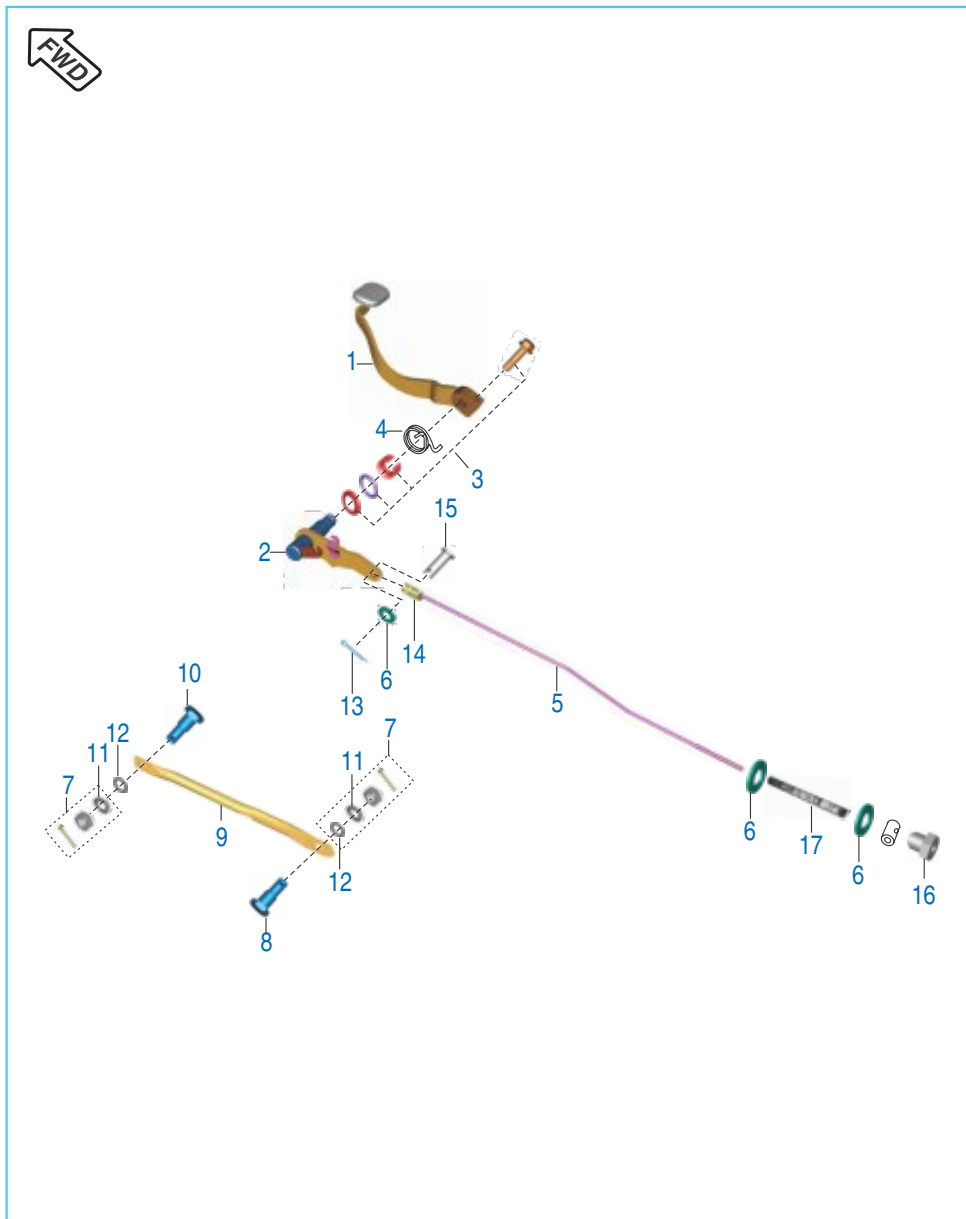
No.	Part No.	Description	Qty.	Remarks
1	JF 1318 06	Integral Caliper Assembly	1	
2	DH 1510 39	Bolt Flanged	2	
3	DJ 1510 68	Spring Pad	1	
4	DJ 1510 69	Bleeder Screw	1	
	DE 1510 46	Bleeder Screw	1	KBX
5	DJ 1510 70	Bleeder Cap	1	
	DE 1510 47	Bleeder Cap	1	KBX
6	JW 1318 07	Disc Pad Set	1	
7	DJ 1510 72	Insulator	1	
	DE 1510 43	Insulator	1	KBX
8	DJ 1510 73	Protection Boot	1	
9	36 DJ40 32	Kit Minor Cal & Grease-End	1	
	36 DK00 65	Kit Minor Caliper with Grease-Bra	1	
10	36 DJ40 33	Kit Mijor Cal & Grease-End	1	
	36 DK00 66	Kit Minor Caliper with Grease-Bra	1	

Rear Wheel Assembly



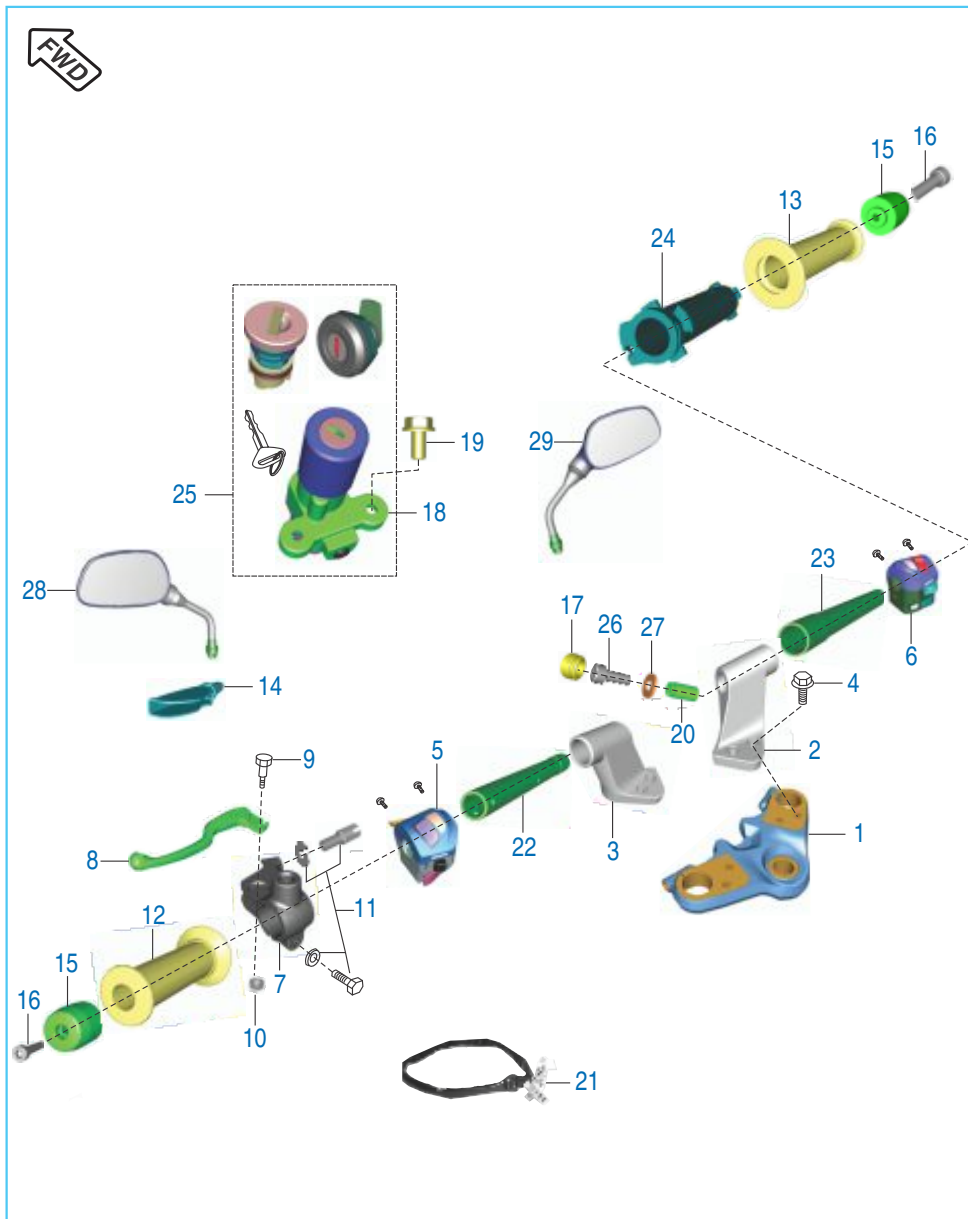
No.	Part No.	Description	Qty.	Remarks
1	DJ 1510 32	Axle	1	
2	39 0801 15	Nut Hexagon M20 x 1	1	
3	DJ 1510 33	Sleeve	1	
4	LC B000 05	Nut Hex A/F 17 M10 x 1.25 x 6H	4	
5	PF 1312 20	Washer Lock For Nut A / F17	2	
6	36 DH40 13	Chain Sprocket Kit	1	Refer Kit List
7	DJ 1510 53	Drive Chain Lock	1	
8	30 1510 82	Seal Oil	1	
9	KP BC60 04	Bearing - Ball - C3 Clearance	1	
10	DS 1510 73	Stud	6	
11	DS 1510 68	Coupling	1	
12	DK 1510 94	Coupling Rubber	1	
13	KP BC62 02	Bearing - Ball - C3 Clearance	1	
14	30 1510 75	Collar Bearing	1	
15	KP BC63 02	Bearing - Ball - C3 Clearance	1	
16	30 1510 69	Spring	2	
17	30 1510 68	Shoe Brake Assembly	1	
18	30 1510 11	Cam Brake Assembly	1	
19	DJ 1510 92	Panel Rear Brake	1	
20	DJ 1510 59	Lever Cam Brake	1	
21	30 1510 05	Indicator	1	
22	30 1510 38	'O' ring Cam Brake	1	
23	DJ 1510 34	Collar	1	
24	LD B000 01	Washer Plain	1	
25	DH 1710 19	'U' Nut	1	
26	39 0722 11	Plain Washer	1	

Rear Brake Pedal



No.	Part No.	Description	Qty.	Remarks
1	DH 1910 01	Lever Brake Pedal	1	
2	DJ 1910 21	Shaft Assembly Brake Pedal	1	
3	36 DK00 16	Kit Hardware Brake Pedal	1	Refer Kit List
4	DH 1910 06	Spring	1	
5	DJ 1910 10	Rod Assembly Brake	1	
6	39 0198 11	Washer Plain	3	
7	36 DH 4015	Kit Hardware Rod Torque	1	Refer Kit List
8	30 1510 95	Hex. Bolt	1	
9	DJ 1510 42	Rod Torque	1	
10	DH 1510 29	Hex. Bolt	1	
11	39 0737 12	Spring Washer	2	
12	39 0714 11	Plain Washer	4	
13	39 0808 08	Split Pin	1	
14	DS 1910 35	Packing Brake Rod	1	
15	30 1910 38	Pin	1	
16	30 1910 36	Brake Adjuster Nut	1	
17	30 1910 35	Spring	1	

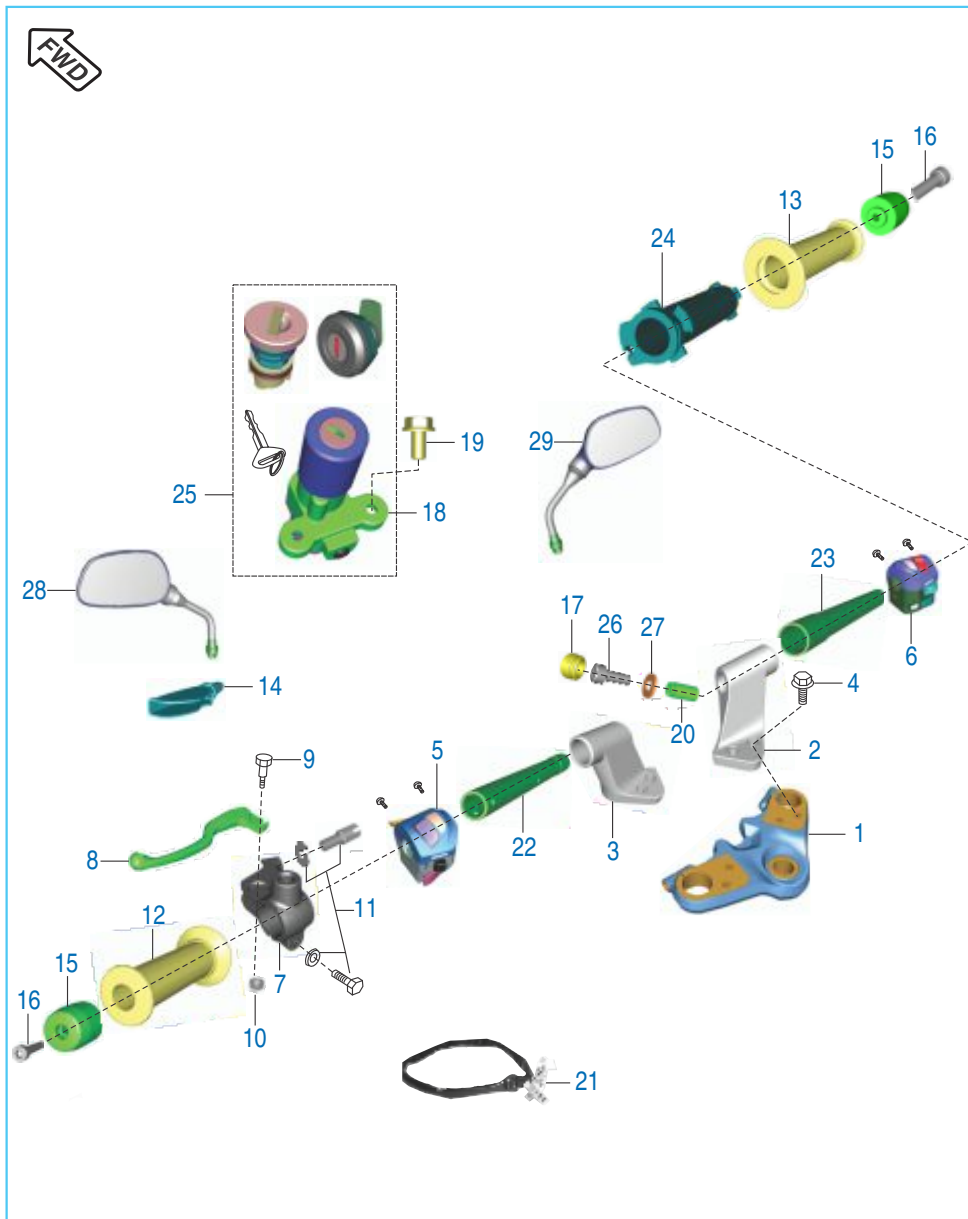
Handle Bar



No.	Part No.	Description	Qty.	Remarks
1	DH 1811 35	Upper Bracket	1	
2	DH 1811 33	Holder Handle RH	1	
3	DH 1811 31	Holder Handle LH	1	
4	DG 1810 08	Socket Bolt	4	
5	JF 4014 00	Control Switch LH	1	
6	JD 4014 00	Control Switch RH	1	AHO Model
7	DJ 1910 82	Lever & Holder Assembly	1	
8	DJ 1910 83	Lever Grip LH	1	
9	DL 1910 14	Stud Lever Handle	1	
10	30 1910 17	Self Locking Nut	1	
11	36 DU19 01	Cable Adjust Kit	1	
12	DH 1910 07	Grip LH	1	
13	DH 1910 08	Grip RH	1	
14	DH 1910 19	Lever Boot for Clutch Switch	1	
15	DK 1810 43	Handle bar weight	2	
16	39 2427 04	Hex. Socket HD Cap Screw	2	
17	DH 1810 99	Rubber Plug	2	
18	JB 4014 02	Switch Assembly Ignition	1	
19	KA DD06 12	Flange Bolt	2	
20	DK 1810 83	Bush Silent	2	

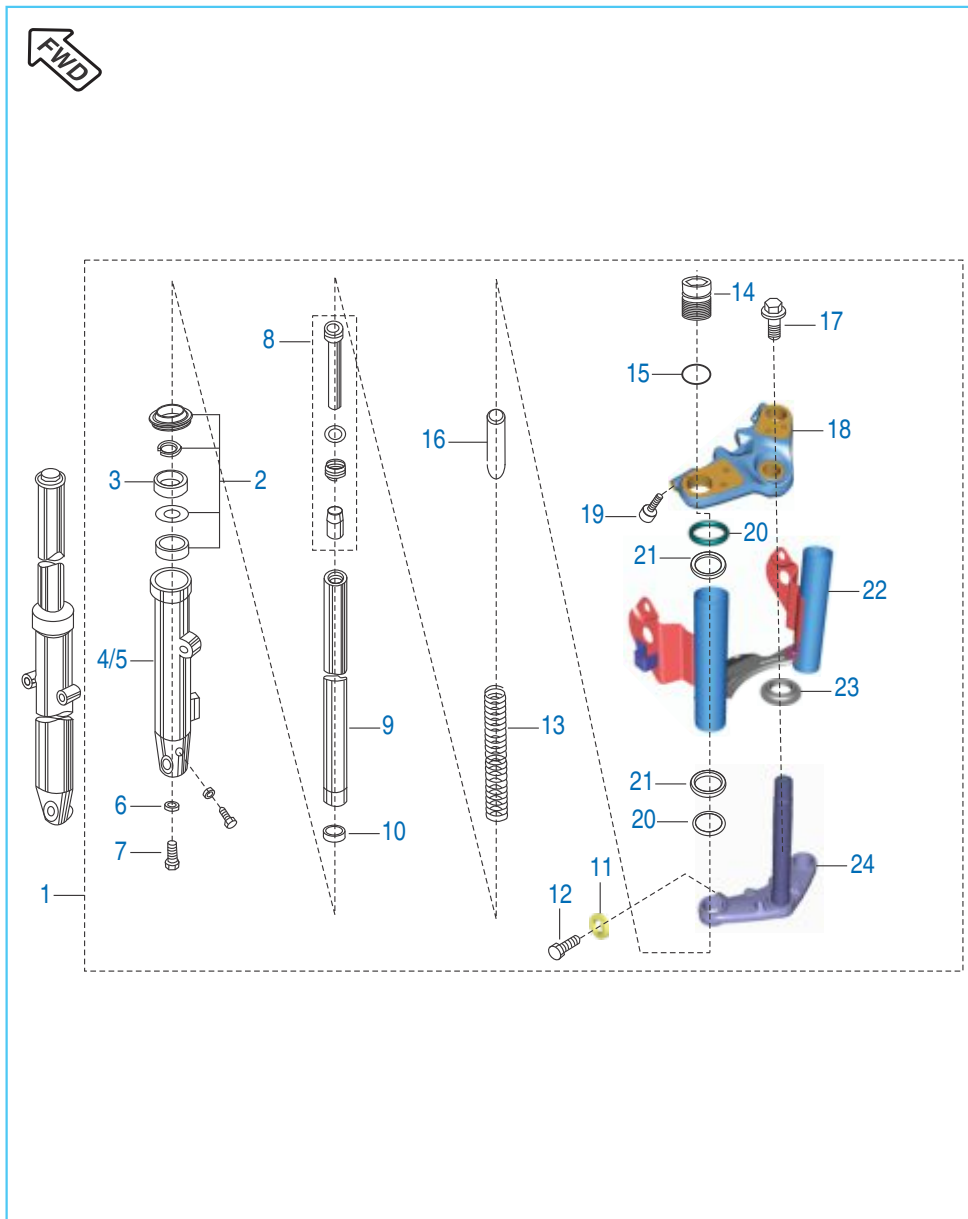


Handle Bar



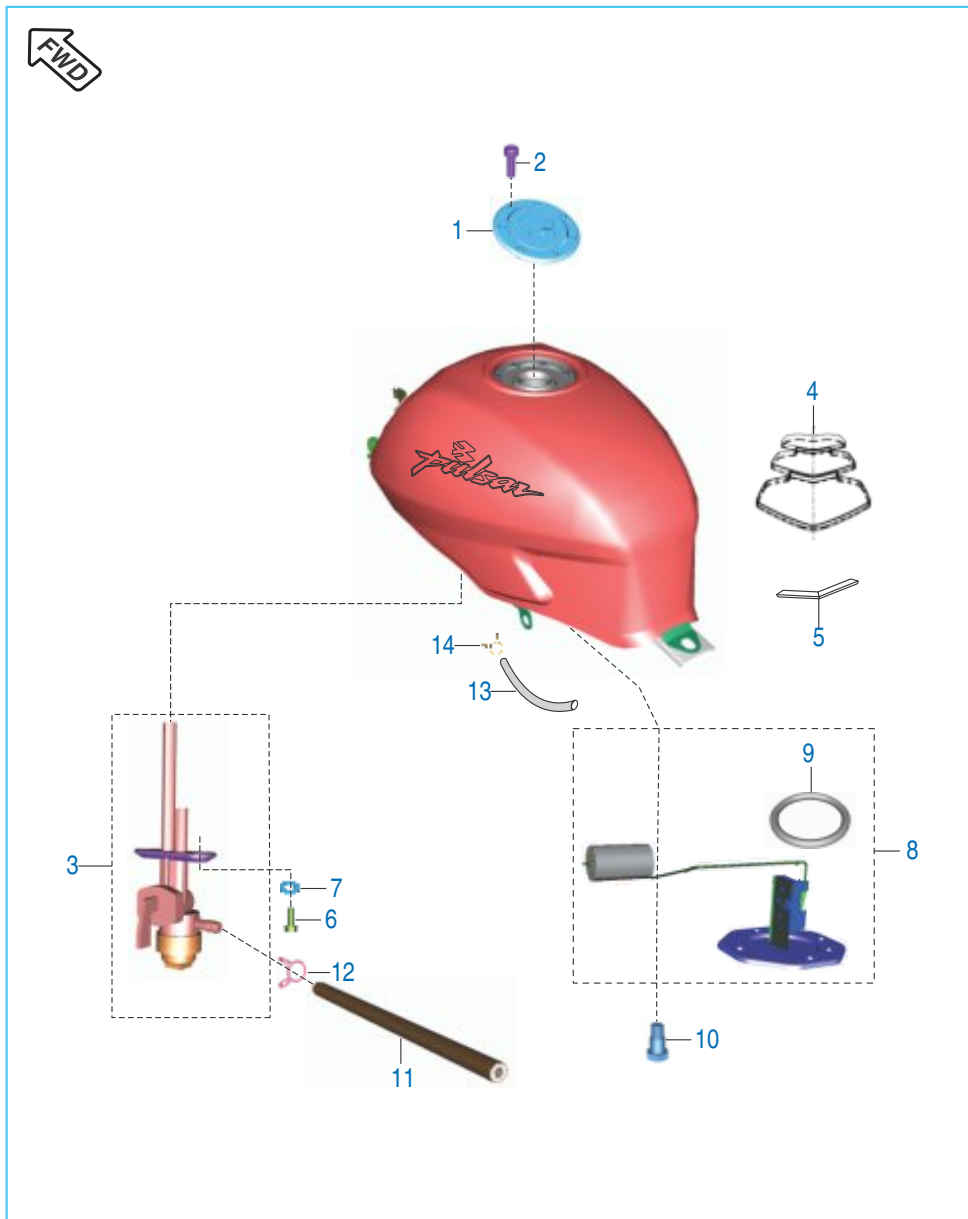
No.	Part No.	Description	Qty.	Remarks
21	DJ 2012 46	Clutch Switch-Vertical Base	1	
22	DK 1810 82	Handle bar tube Assembly LH	1	
23	DK 1810 86	Handle bar tube Assembly RH	1	
24	DH 1910 17	Pipe throttle	1	
25	DH 1811 30	Lock set 3 in 1 With Tank Cap	1	
26	LA C000 20	Bolt Socket	2	
27	39 1180 11	Washer	2	
28	DJ 2210 03	Mirror Assembly LH	1	
29	DJ 2210 04	Mirror Assembly RH	1	

Front Fork



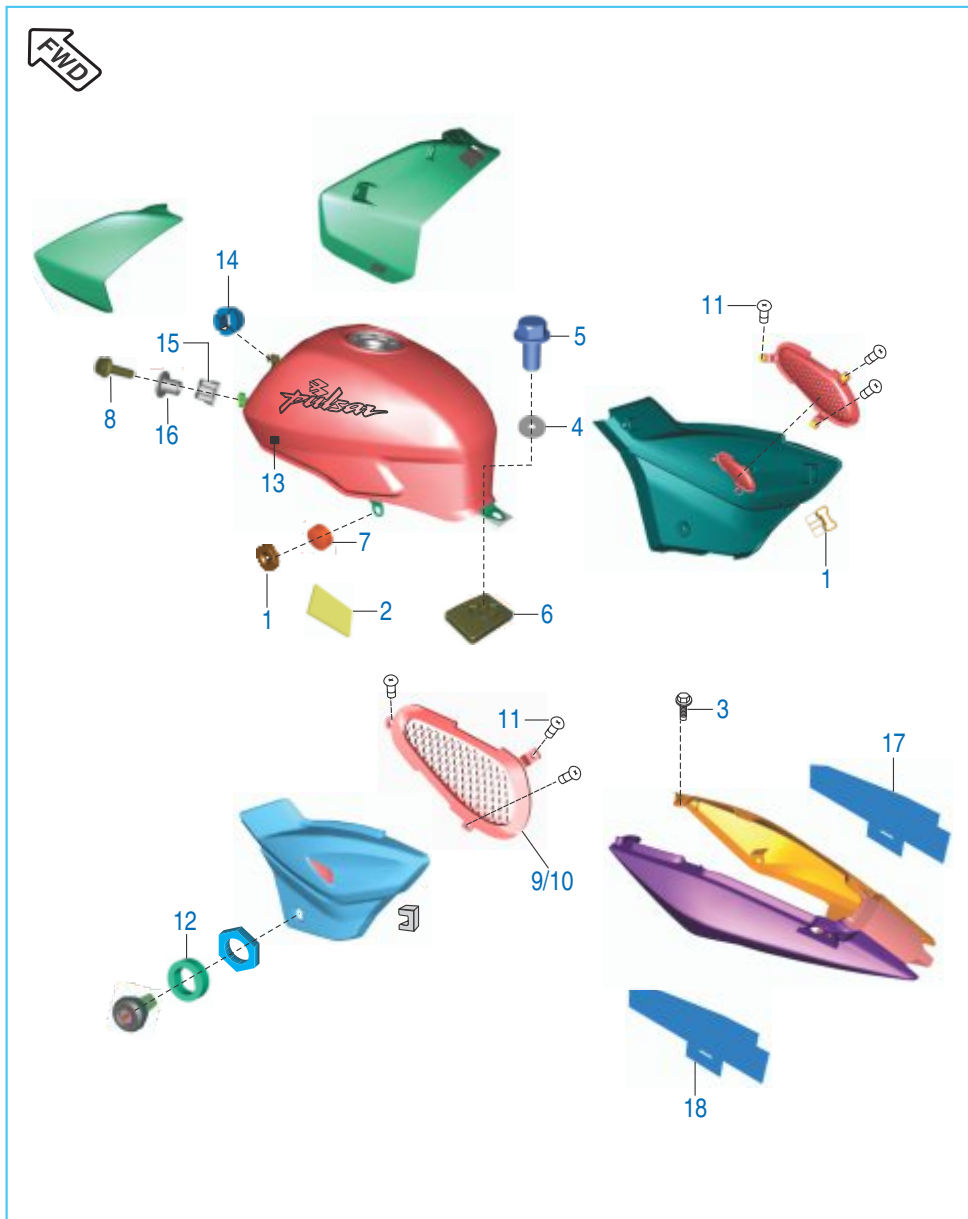
No.	Part No.	Description	Qty.	Remarks
1	DH 1811 23	Fork Front UG	1	
2	36 DK00 20	Kit Outer Tube	1	Refer Kit List
3	DJ 1810 87	Oil Seal	2	
4	DH 1810 63	Outer Tube LH	1	
5	DH 1811 01	Outer Tube RH	1	
6	30 1810 26	Gasket	2	
7	KA CF08 30	Bolt	2	
8	36 DH41 15	Cylinder Complete Fork	2	
9	DH 1811 27	Fork Pipe Spinning	2	
10	DS 1810 71	Slide Bush	2	
11	39 0789 12	Spring Washer	2	
12	39 1813 04	Bolt	2	
13	DH 1811 29	Spring Main	2	
14	DH 1810 15	Bolt Fork	2	
15	30 1810 29	'O' Ring	2	
16	DH 1811 28	Spacer Tube	2	
17	59 0400 07	S. S. Hex Head Bolt	1	
18	DH 1811 35	Holder Fork Upper	1	
19	DG 1810 08	Socket Bolt	2	
20	DJ 1810 85	Cushion Rubber	4	
21	DJ 1810 52	Cover Trail B	4	
22	DH 1810 92	Lamp Shade Assembly	1	
23	30 1810 09	Bearing Cone	1	
24	DJ 1810 41	Under Bracket Assembly	1	
25	DH 1811 24	Leg Assembly LH	1	
26	DH 1811 25	Leg Assembly RH	1	

Fuel Tank & Fuel Gauge



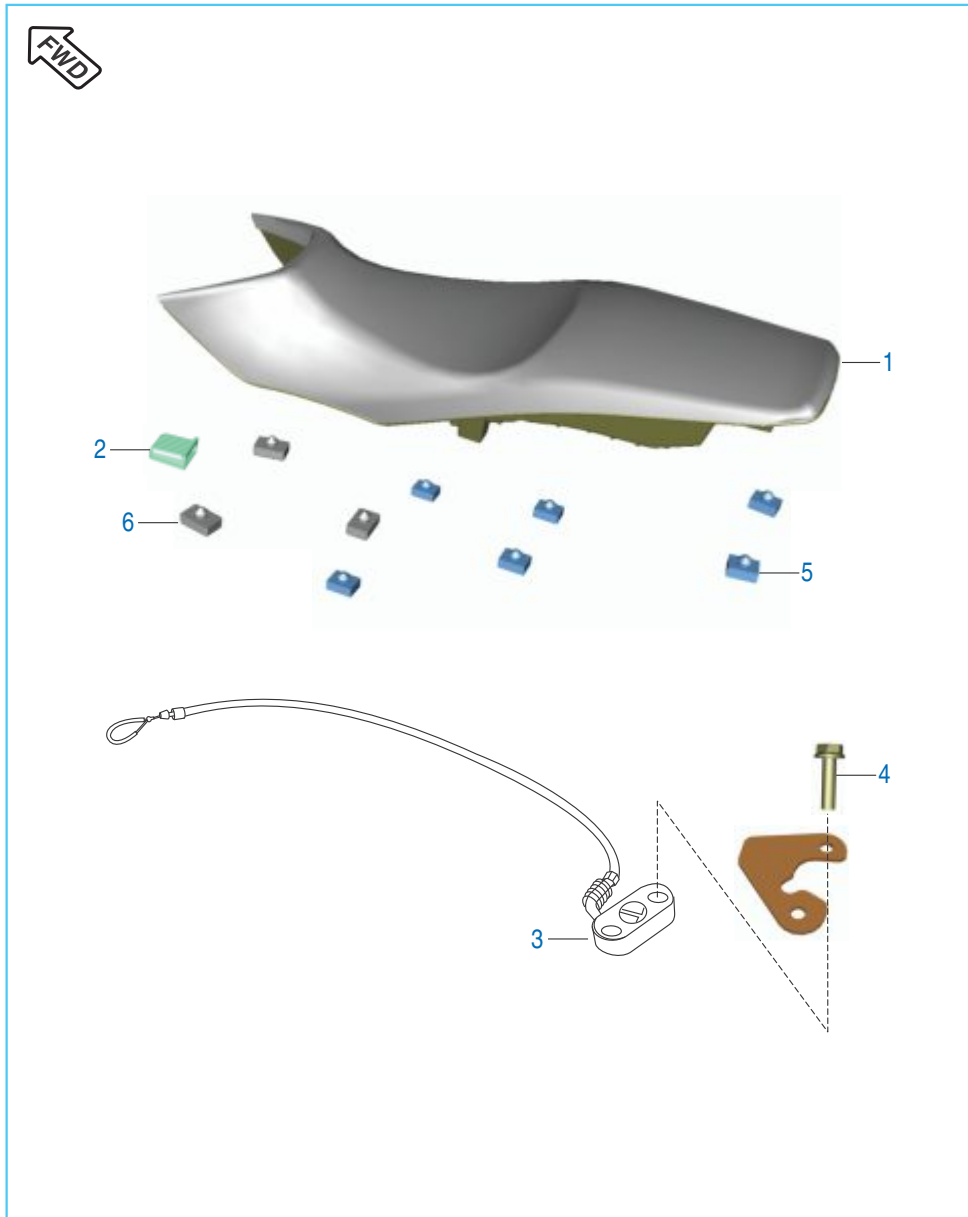
No.	Part No.	Description	Qty.	Remarks
1	DH 1410 78	Cap Assembly Tank	1	Not Serviceable
	DH 1811 30	Lock set 3 in 1 + Tank Cap	1	
2	KA CA05 16	Bolt Master KAC	7	
3	DJ 1410 56	Fuel Cock (Export Market)	1	
4	DK 1410 15	Tank Pad	1	
5	DH 1410 20	Seat Tape	1	
6	DD 1412 27	Bolt Flanged	2	
7	39 0740 11	Washer (Non Metallic)	2	
8	DK 2010 65	Tank Unit K3 LHS	1	
9	39 2758 21	'O' Ring	1	
10	KC GA05 05	Bolt	4	
11	DH 1410 68	Tube Tank To Inline Connector	1	
12	JG 1710 29	Spring Band Clip 10 MM	1	
13	DH 1410 24	Drain Pipe	1	
14	JY 1710 90	Spring Band Clamp 13 x 12	1	

Fittings Petrol Tank, Side Cover & Cover Seat



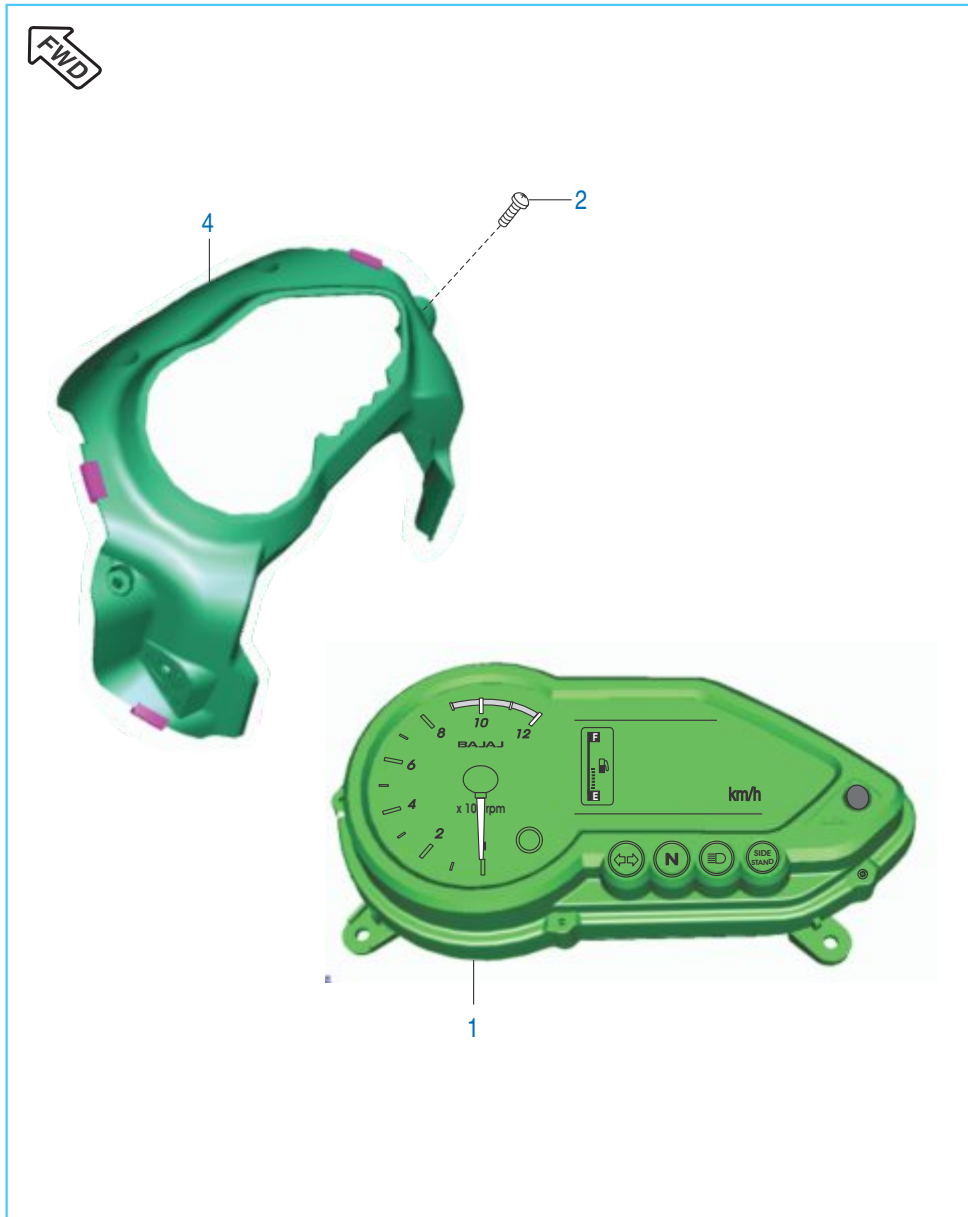
No.	Part No.	Description	Qty.	Remarks
1	36 DH16 01	Grommet Side Cover Rear	2	Refer Kit List
2	DJ 1610 07	Rubber Pad II Batbkt	2	
3	39 1606 01	Screw	2	
4	39 2424 11	Plain Washer	1	
5	39 1556 04	Flange Bolt	1	
6	DH 1410 23	Damper	1	
7	DJ 1410 08	Damper Front	2	
8	39 1902 04	Flanged Bolt	1	
9	DK 1611 23	Cover Side Mesh LH	1	
10	DK 1611 24	Cover Side Mesh RH	1	
11	59 0200 01	Self Tap Screw	6	
12	31 1610 18	Damper	2	
13	JW 1710 07	Dual Tape	2	
14	JC 1410 15	Grommet	2	
15	JC 1410 17	Grommet II	2	
16	JC 1410 16	Collar	2	
17	DK 1611 71	Rubber Flap For Seat Cowl LH	1	
18	DK 1611 72	Rubber Flap For Seat Cowl RH	1	

Seat Assembly & Seat Lock



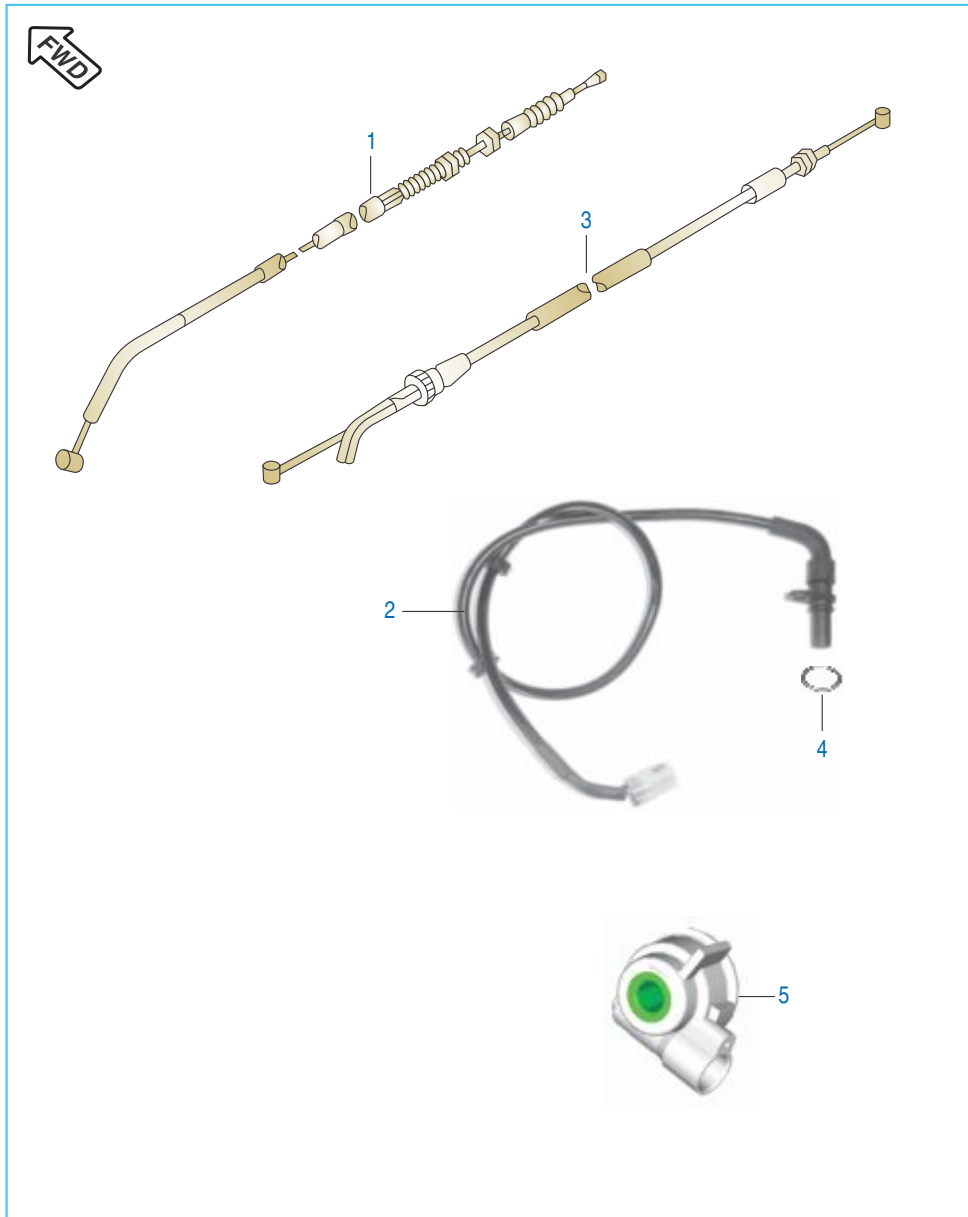
No.	Part No.	Description	Qty.	Remarks
1	DH 2110 12	Seat Assly Comp	1	
2	DK 2110 07	Damper Seat Front	1	
3	DJ 2110 06	Lock Assembly Seat	1	
4	39 1552 04	Flanged Bolt	2	
5	DS 2110 05	Damper Seat II	6	
6	DJ 2110 07	Damper For Seat	3	

Speedometer Assembly



No.	Part No.	Description	Qty.	Remarks
1	DH 1910 66	Assembly Speedometer K1 UG	1	
2	39 1778 02	Self Tapping Screw	4	
3	DJ 2011 37	Dust Cover Electronic Cluster	1	N.I.
4	DJ 1811 19	Speedo Meter Cover	1	
5	YD H190 02	Top cover with sealing ring	1	

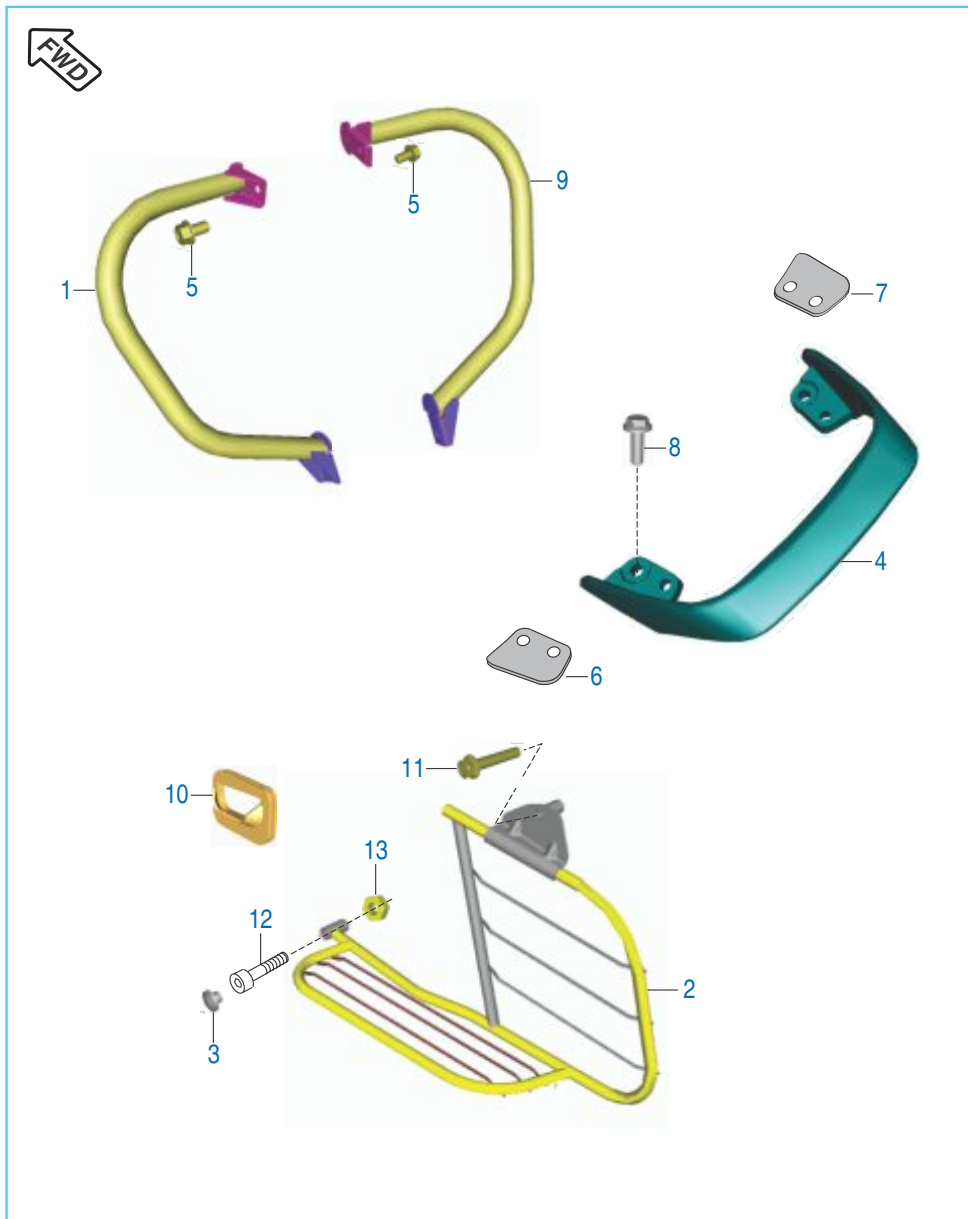
Cables



No.	Part No.	Description	Qty.	Remarks
1	DJ 1910 61	Cable Accelerator	1	
2	DH 2010 79	Speedo Sensor With Cable 'O' Ring	1	
3	DJ 1910 15	Cable Clutch	1	
4	59 2100 19	'O' Ring	1	
5	JN 1316 03	Case Meter Assembly	1	

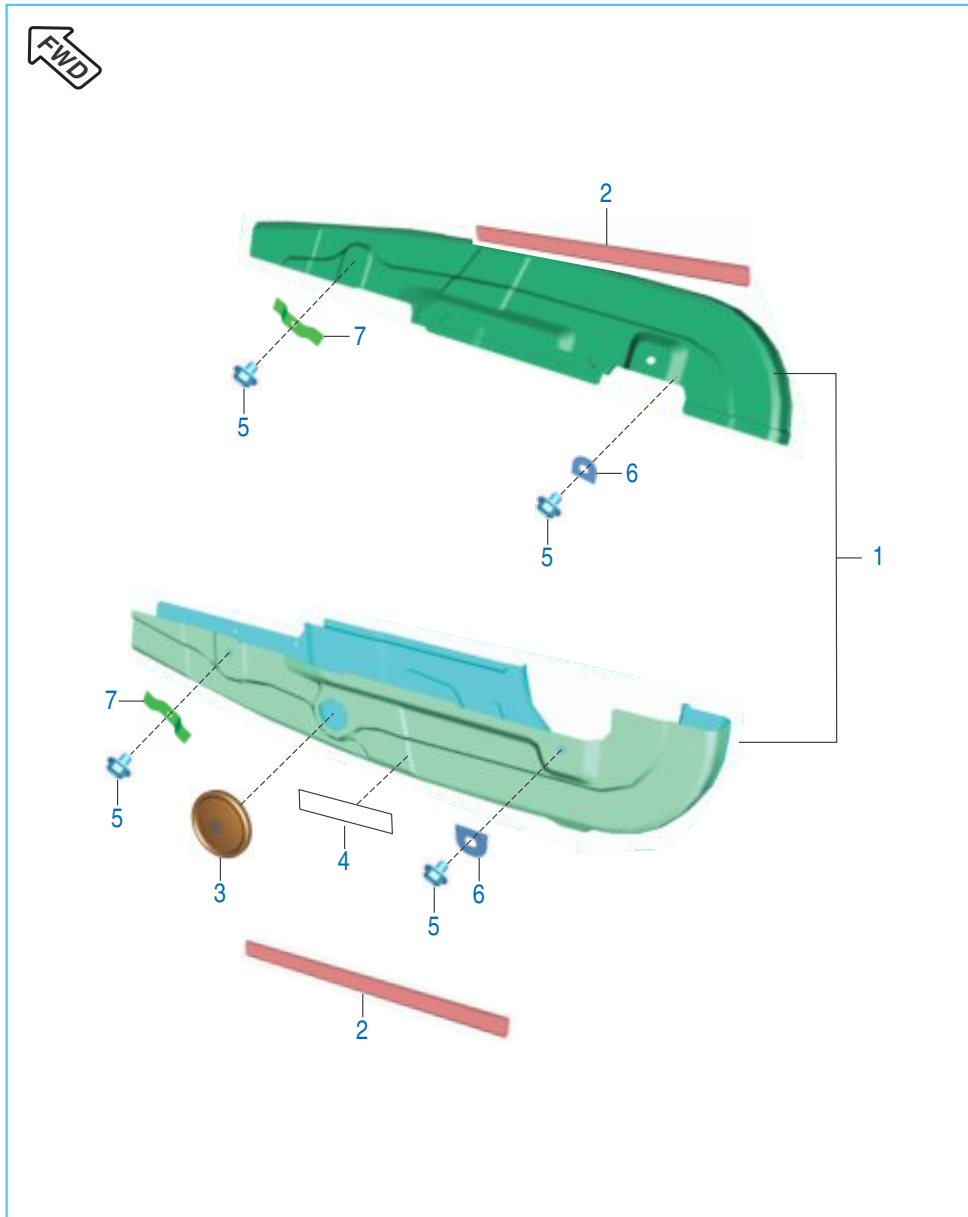


Leg Guards, Saree Guard & Grab Handle



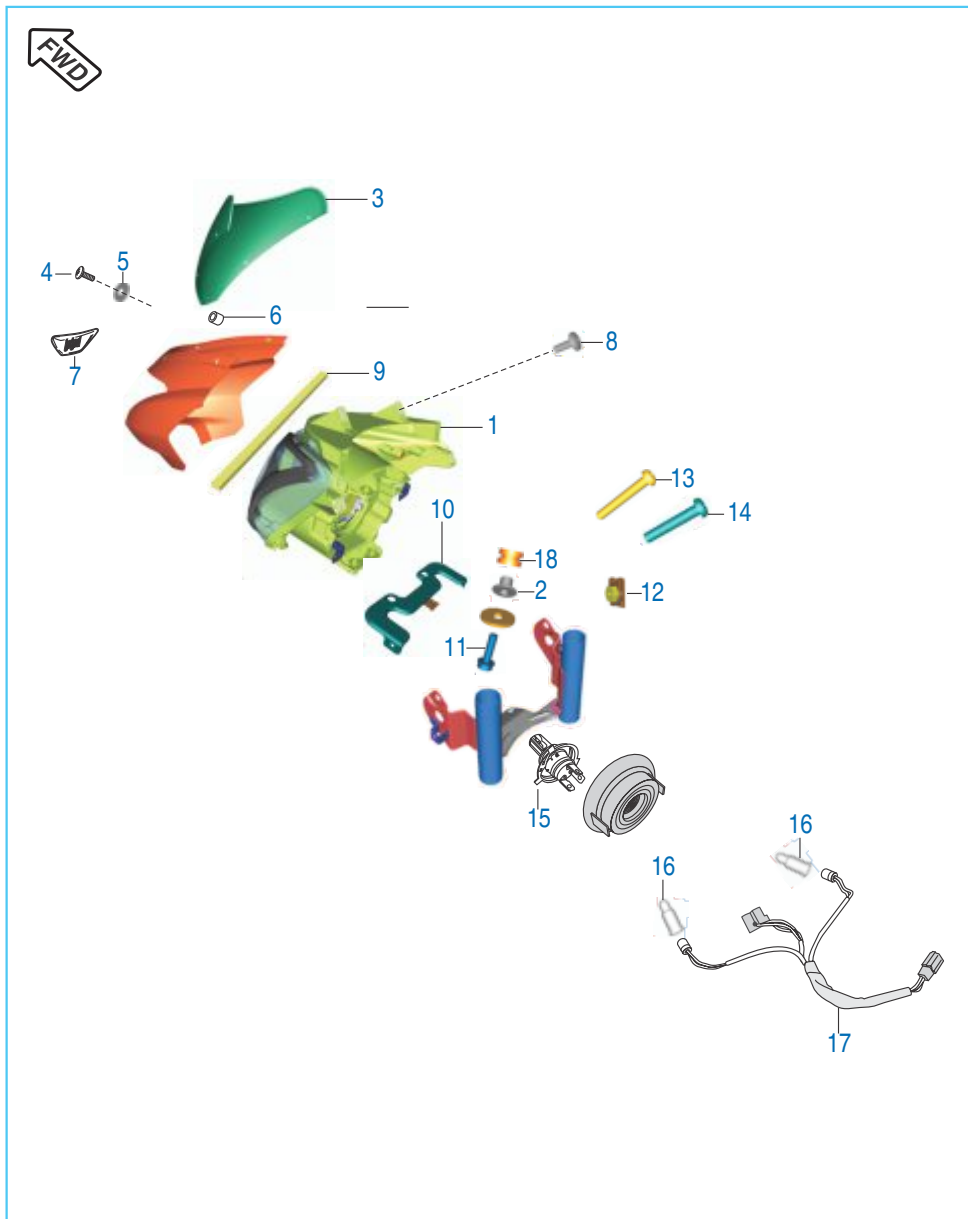
No.	Part No.	Description	Qty.	Remarks
1	DH 2210 12	Leg Guard LH UG	1	
2	DH 1615 09	Guard Lady Footrest	1	
3	DS 2210 01	Plug	1	
4	52 DH09 28	Grab Handle	1	
5	KA DA08 14	Bolt Flanged	2	
6	DJ 1610 79	Foam LH For Grab	1	
7	DJ 1610 80	Foam RH For Grab	1	
8	39 1681 04	Flange Bolt	4	
9	DH 2210 13	Leg Guard RH UG	1	
10	DH 1615 10	Grommet Sari Guard	1	
11	KA DA08 45	Bolt Flanged	1	
12	39 1608 04	Hex Socket HD Bolt - M 10	1	
13	39 0296 15	Hexagon Nut - M10	1	

Chain Case



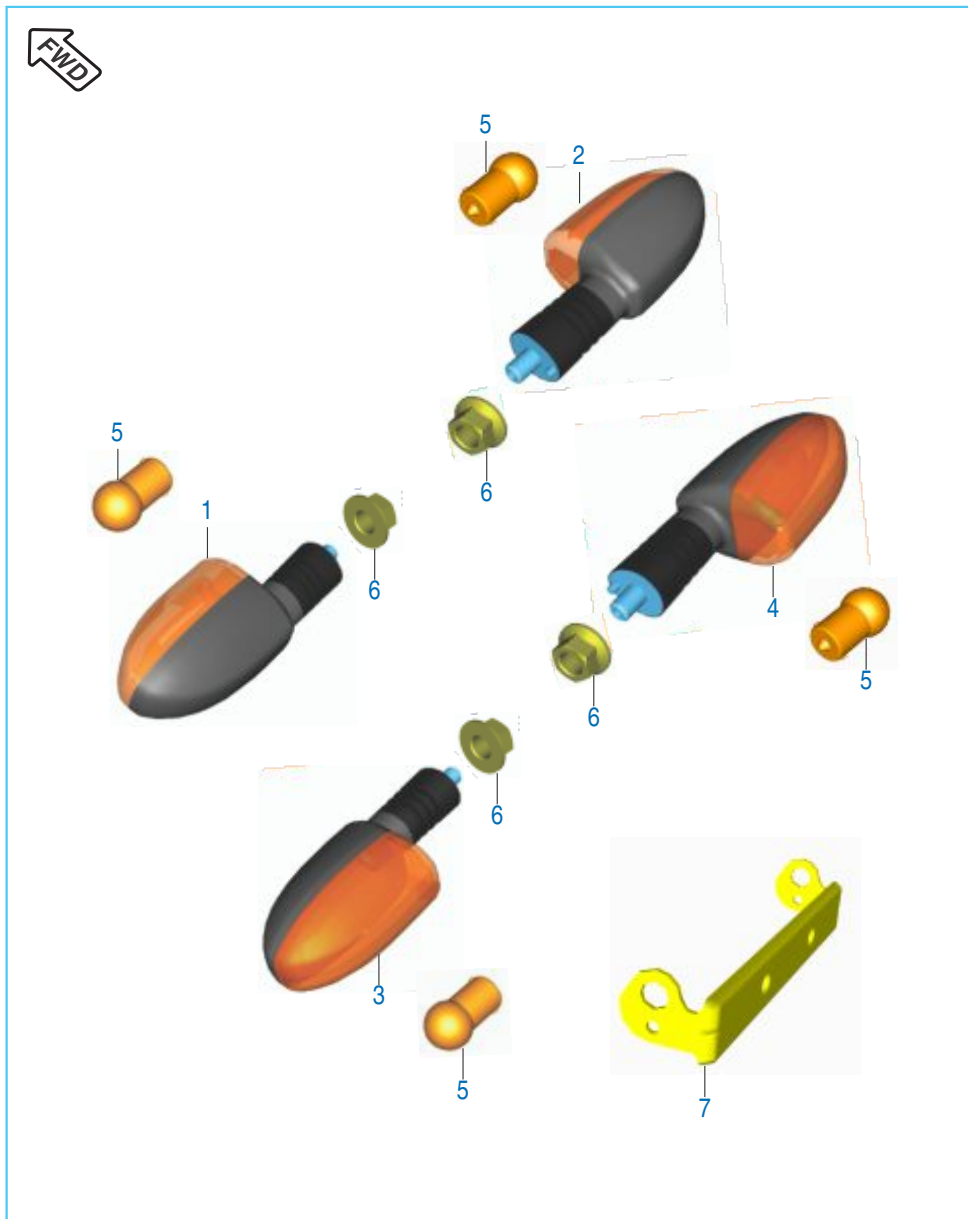
No.	Part No.	Description	Qty.	Remarks
1	52 DJ01 66	Case Chain Kit	1	
2	DH 1612 84	Rubber Beading	2	
3	15 1610 69	Rubber Cap	1	
4	DJ 1612 27	Instruction Label	1	
5	DH 1612 83	Bolt	4	Rear Side Mtg.
6	DX 1610 47	Washer	2	Front Side Mtg.
7	DH 1612 80	Plain Washer	2	

Head Lamp & Fairing



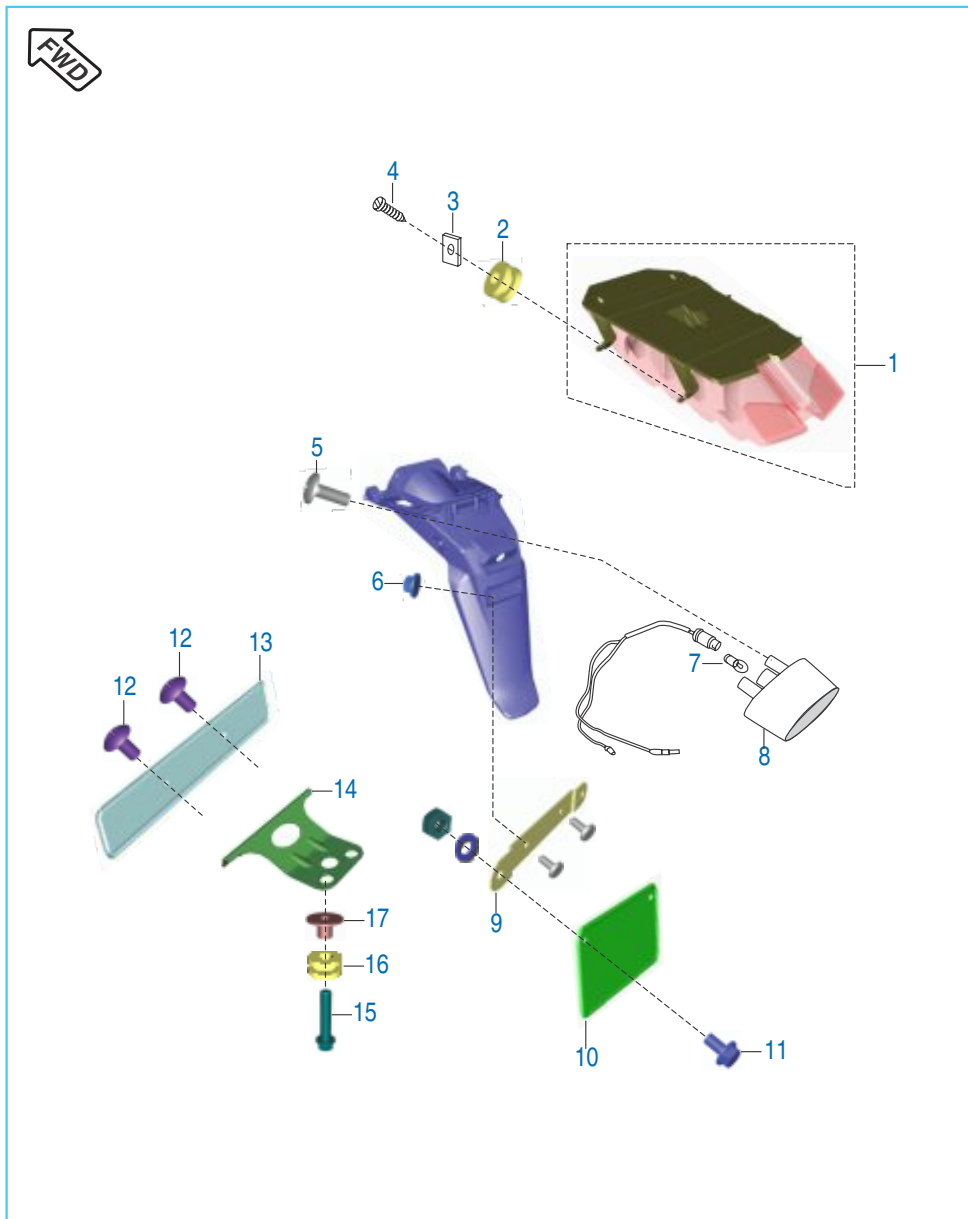
No.	Part No.	Description	Qty.	Remarks
1	YD H190 01	Head Lamp Assembly Without Bulb	1	
2	DJ 1810 29	Collar Fairing Mounting	2	
3	DJ 1810 33	Wind Shield	1	
4	DF 1810 98	Bolt M-5	4	
5	39 2141 24	Non Metallic Washer	4	
6	DL 1810 10	Well Nut	4	
7	DJ 1810 37	Decal Wind Shield	1	
8	39 1907 01	M5 x 15 Mushroom HD	2	
9	DJ 1810 69	Packing Fairing	1	
10	DH 1810 52	Fairing Mounting Upper Bracket	1	
11	KA DD06 25	Bolt Flanged	2	
12	DJ 1612 29	Clip Nut	4	
13	DJ 1811 30	Screw Pan Cross	2	
14	39 1524 01	Screw Pan Cross	2	
15	CL 2010 23	Lamp 12V 35/35W-HS1	1	
16	DJ 2010 72	Position Lamp 12V / 5W	2	
17	YD H130 01	Headlamp Wiring Harness	1	
18	DJ 1810 64	Grommet Fairing Mounting	2	

Indicator Light Assembly



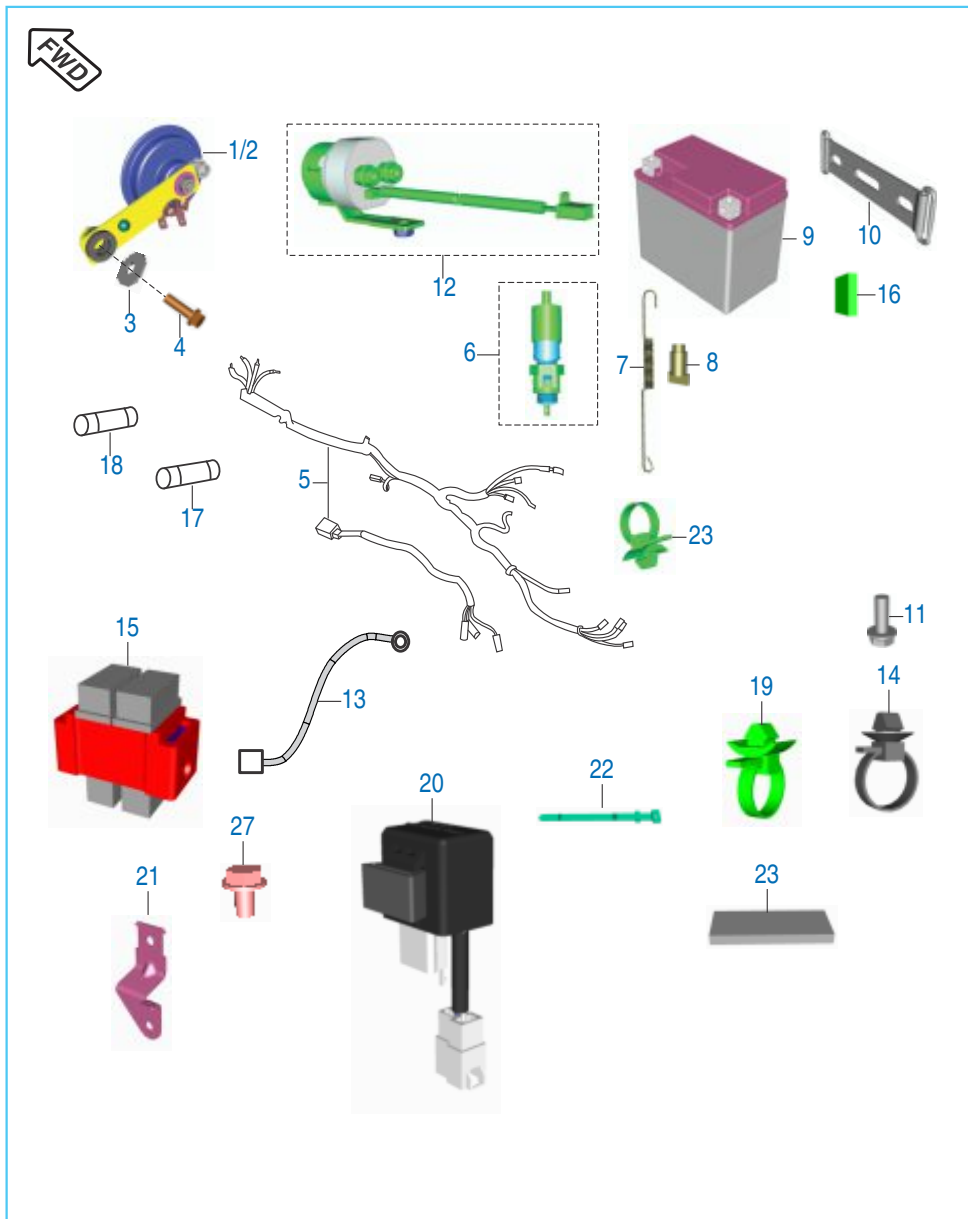
No.	Part No.	Description	Qty.	Remarks
1	DJ 2012 07	Blinker RR RH With 2P Coupler	1	
2	DJ 2012 06	Blinker RR LH With 2P Coupler	1	
3	DJ 2012 06	Blinker RR LH Flexible	1	
4	DJ 2012 07	Blinker RR RH Flexible	1	
5	GH 2010 12	Lamp 12V / 10W	4	
6	39 1970 15	Hex Nut Flange	4	
7	DH 1612 97	Blinker Mounting Bracket	2	

Tail Lamp Assembly & Front / Rear Number Plate



No.	Part No.	Description	Qty.	Remarks
1	DK 2010 03	Tail Light With Lamp	1	
2	DH 1612 93	Damper	2	
3	DK 1611 53	Clip Nut	4	
4	39 2592 01	Screw Pan Cross	4	
5	39 1907 01	Truss Screw	2	
6	39 0817 15	Nut Flange	2	
7	DJ 2010 72	Lamp 12V-4W	1	
8	JW 4010 11	Number Plate Illumination	1	
9	DJ 1610 72	Rear Number Plate Bracket	1	
10	DP 1611 45	Number Plate Rear	1	
11	39 1680 04	Hex Flanged Bolt	2	
12	39 1783 01	Truss Screw	2	For Front No. Plate
13	DP 1611 44	Number Plate Front	1	
14	DH 1615 54	No. Plate Mounting Bracket	1	
15	KA DE06 30	Bolt Flanged	2	
16	DH 1612 93	Grommet for Number Plate Mounting	2	
17	30 2110 05	Collar	2	

Electrical Equipments



No.	Part No.	Description	Qty.	Remarks
1	DH 2010 76	Horn With LH Stay	1	
2	DH 2010 77	Horn With LH Stay	1	
3	39 1507 11	Plain Washer	2	
4	39 1956 04	Flange Bolt	2	
5	DH 2011 05	Harness Wiring AHO BS IV	1	AHO Model
6	31 2010 79	Rear Brake Switch	1	
7	DH 1910 12	Spring Brake Switch	1	
8	DH 2010 19	Grommet Rear Brake Switch	1	
9	JF 4018 03	Battery 4AH VRLA Wet (K11)	1	
10	30 2010 64	Band Battery Bracket	3	
11	KA DD06 10	Flange Bolt	1	
12	DK 2010 78	Starter Relay	1	
13	DH 2010 96	Cable Assembly (Battery To Earth)	1	
14	60 1114 20	Cable Tie Lock	3	
15	JL 4022 07	Fuse Box Assembly with Fuse	1	
16	JZ 1813 20	Foam Number Plate Front	2	
17	AK 2010 12	Fuse 10A	2	
18	AP 2010 25	Fuse 15A	2	
19	60 1114 15	Cable Tie Lock	17	
20	JL 4020 04	Light Control Module (Bulb)	1	AHO Model
21	DH 1614 85	Bracket LCM Mtg. (Loose)	1	
22	30 1910 48	Band	6	
23	JG 4018 08	Foam Battery Bracket 35 x 15 x 3	3	

Tool Kit



No.	Part No.	Description	Qty.	Remarks
1	DJ 2210 19	Tool Kit	1	
2	DK 2210 24	Band Tool Kit	2	



Painted Parts & Decals



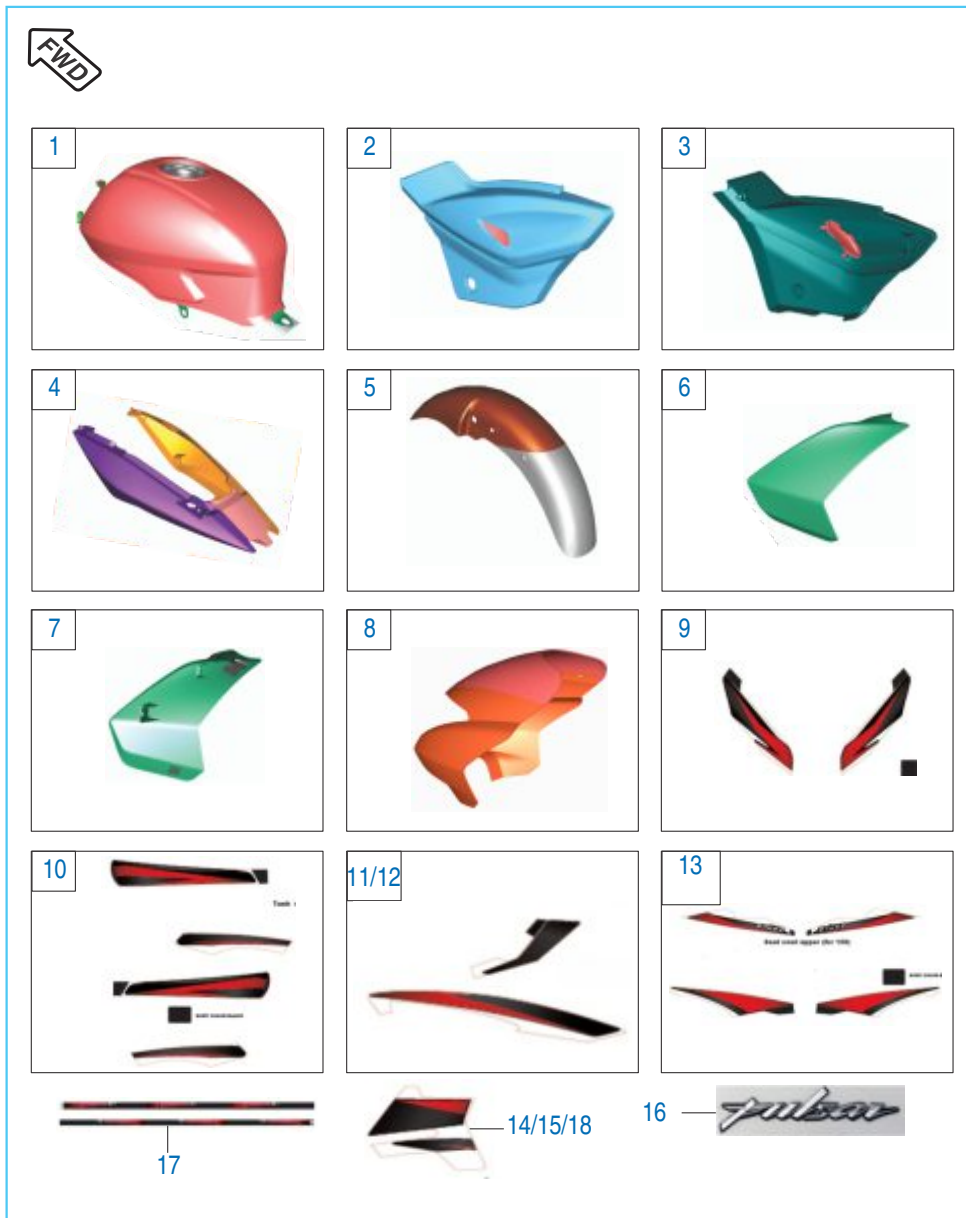
No.	Part No.	Description	Qty.	Remarks
1	52 DH13 20	Fuel Tank Ebony Black	1	
	52 DH13 21	Fuel Tank Royal Blue	1	
	52 DH13 63	Fuel Tank Flame Red	1	
	52 DH15 21	Fuel Tank Wh Dcl Khi Eby. Blk	1	From April 17
	52 DH15 96	Fuel Tank Passion Red With Decal	1	From April 17
	52 DH15 22	Fuel Tank With Decal Royal Blue	1	From April 17
2	52 DJ09 51	Side Cover LH Ebony Black	1	
	52 DJ09 56	Side Cover LH Royal Blue	1	
	52 DH13 68	Side Cover LH Flame Red	1	
	52 DH15 27	Side Cover LH Assembly Dcl Kh. Eb. Bl	1	From April 17
	52 DH15 99	Side Cover LH Assembly Passion Red	1	From April 17
	52 DH15 28	Side Cover LH Assembly Decal Royal Blue	1	From April 17
3	52 DJ09 52	Side Cover RH Ebony Black	1	
	52 DJ09 57	Side Cover RH Royal Blue	1	
	52 DH13 69	Side Cover RH Flame Red	1	
	52 DH15 29	Side Cover RH Asly. Wh Dcl Khi Eb. Blk	1	From April 17
	52 DH16 00	Side Cover RH Assy Passion Red	1	From April 17
	52 DH15 30	Side Cover RH With Decal Royal Blue	1	From April 17
4	52 DH13 57	Seat Cowl Ebony Black	1	
	52 DH13 58	Seat Cowl Royal Blue	1	
	52 DH13 66	Seat Cowl Flame Red	1	
	52 DH15 35	Seat Cowl With Dcl Khi Eb. Blk	1	From April 17
	52 DH16 03	Seat Cowl Passion Red	1	From April 17
	52 DH15 36	Seat Cowl With Decal Royal Blue	1	From April 17
5	56 DH05 7T	Front Fender Ebony Black	1	
	56 DH05 7Q	Front Fender Royal Blue	1	
	56 DH05 3F	Front Fender Flame Red	1	
	56 DH05 4R	Painted Fr. Fender BS IV Khi Passion Red	1	From April 17

Painted Parts & Decals



No.	Part No.	Description	Qty.	Remarks
6	52 DH13 22	Tank Flap LH Ebony Black	1	
	52 DH13 23	Tank Flap LH Royal Blue	1	
	52 DH13 64	Tank Flap LH Flame Red	1	
	52 DH15 23	Tank Flap LH Asly DI Kh. Eb. Blk	1	From April 17
	52 DH15 97	Tank Flap LH With Decal Khi Passion Red	1	From April 17
	52 DH15 24	Tank Flap LH Assembly Decal Royal blue	1	From April 17
	DH 0101 85	Decal Tank Spoiler LH Blk - Silver	1	From April 17
	DH 0102 19	Decal Tank Spoiler LH Red - Silver	1	From April 17
	DH 0102 01	Decal Tank Spoiler LH Blue Silver	1	From April 17
7	52 DH13 24	Tank Flap RH Ebony Black Decal	1	
	52 DH13 25	Tank Flap RH Royal Blue	1	
	52 DH13 65	Tank Flap RH Flame Red	1	
	52 DH15 25	Tank Flap RH Assly. Decal Khi. Ebony Black	1	From April 17
	52 DH15 98	Tank Flap RH Decal Khi Passion Red	1	From April 17
	DH 0101 86	Decal Tank Spoiler RH Blk - Silver	1	From April 17
	DH 0102 20	Decal Tank Spoiler RH Red - Silver	1	From April 17
	52 DH15 26	Tank Flap RH Assembly Decal Royal blue	1	From April 17
8	52 DH13 35	Fairing Ebony Black	1	
	52 DH13 36	Fairing Royal Blue	1	
	52 DH13 70	Fairing Flame Red	1	
	52 DH15 31	Fairing With Khi Eb. Blk Dcl	1	From April 17
	52 DH16 01	Fairing With Decal Passion Red	1	From April 17
	52 DH15 32	Fairing With Royal Blue Decal	1	From April 17
9	36 DJ40 63	Kit Fairing Decal Ebony Black Red	1	
	36 DJ40 69	Kit Fairing Decal Royal Blue	1	
	36 DH4106	Kit Decal Fairing Flame Red	1	
	36 DJ40 75	Kit Decal Fairing Ebony Black	1	From April 17
	36 DH41 25	Kit Decal Fairing Passion Red	1	From April 17
	36 DJ40 78	Kit Decal Fairing Royal Blue	1	From April 17

Painted Parts & Decals



No.	Part No.	Description	Qty.	Remarks
10	36 DJ40 64	Kit Tank Dcl Ebony Black Red	1	
	36 DJ40 68	Kit Tank Dcl R Blue	1	
	36 DH41 12	Kit Tank Dcl F Red	1	
	36 DJ40 76	Kit Decal Tank Ebony Black	1	From April 17
	36 DH41 26	Kit Decal Tank Passion Red	1	From April 17
	36 DJ40 79	Kit Decal Tank Royal Blue	1	From April 17
11	36 DJ40 65	Kit Side Cover LH Dcl Black-Red	1	
	36 DK01 25	Kit Side Cover LH Dcl Royal Blue	1	
	36 DH41 09	Kit Side Cover LH Dcl F Red	1	
	36 DK01 37	Kit Decal Side Cover LH Ebony Black	1	From April 17
	36 DH41 28	Kit Decal Side Cover LH Passion Red	1	From April 17
	36 DK01 39	Kit Decal Side Cover LH Royal Blue	1	From April 17
12	36 DJ40 66	Kit Dcl Side Cover RH Black-Red	1	
	36 DK01 26	Kit Dcl Side Cover RH Royal Blue	1	
	36 DH41 10	Kit Dcl Side Cover RH F Red	1	
	36 DK01 38	Kit Decal Side Cover RH Ebony Black	1	From April 17
	36 DH41 29	Kit Decal Side Cover RH Passion Red	1	From April 17
	36 DK01 40	Kit Decal Side Cover RH Royal Blue	1	From April 17
13	36 DH41 04	Kit Seat Cowl Dcl Black-Red	1	
	36 DH41 05	Kit Seat Cowl Dcl Blue	1	
	36 DH41 11	Kit Seat Cowl Dcl F Red	1	
	36 DH41 22	Kit Decal Seat Cowl Ebony Black	1	From April 17
	36 DH41 27	Kit Decal Seat Cowl Passion Red	1	From April 17
	36 DH41 23	Kit Decal Seat Cowl Royal Blue	1	From April 17
14	DH 0101 09	Decal Flap Tank Upper Black-Red RH	1	
	DH 0101 31	Decal Flap Tank Upper RH Blue	1	
	DH 0101 56	Decal Flap Tank Upper Rh Red	1	

Painted Parts & Decals



No.	Part No.	Description	Qty.	Remarks
15	DH 0101 08	Decal Flap Tank Upper Black-Red Lh	1	
	DH 0101 30	Decal Flap Tank Upper Lh Blue	1	
	DH 0101 55	Decal Flap Tank Upper Lh Red	1	
16	DJ 1614 16	Pulsar 3D Decal	1	
17	DH 0101 20	Decal Wheel Front Lh Black-Red	2	
	DH 0101 21	Decal Wheel Front Rh Black-Red	2	
	DH 0101 42	Decal Wheel Lh Blue	2	
	DH 0101 43	Decal Wheel Rh Blue	2	
	DH 0101 67	Decal Wheel LH F Red	2	
	DH 0101 68	Decal Wheel RH F Red	2	
	DH 0102 09	Decal Wheel LH Silver	2	From April 17
	DH 0102 10	Decal Wheel RH Silver	2	From April 17
18	DH 0102 00	Decal Tank Lower RH Blue Silver	1	From April 17

Consumable Parts



No.	Part No.	Description	Supply Unit	Application
1	36 0010 61 83 0204 11 83 0203 34	Bajaj Genuine Oil 10W50 Bajaj Genuine Oil 10W30 Bajaj Genuine Oil 20W50 (BGO to be ordered to HPCL)	1.5 Ltr. 1 Ltr. 1 Ltr.	Dominar 400 100cc Models 125cc and above models
2	36 0010 58	Bajaj Coolant Koolex	1 Ltr.	Coolant Top-up/Replace
3	36 DH40 61 83 0203 25	Brake Fluid DOT4 Brake Fluid DOT3	100 ml 100 ml	Disc Brake Top-up/Replace Disc Brake Top-up/Replace
4	36 0010 52	Silicon grease	3 gm	Caliper Pin
5	83 0204 73 83 0203 68	Grease Petamo GHY 441 Grease Molycoat	3 gm 200 gm	Water Pump Seals For Starter Clutch Lubrication
6	36 0010 52	HP Lithon RR Grease	10 gm	Steering Race
7	83 0201 73	Multi Purpose Grease (Local Purchase)	--	Lubrication of Clutch Lever, Brake Lever, Brake Pedal & Side Stand
8	36 0010 55	Chain Lubricant HP Make	1 kg	Non - Sealed Chain Lubrication
9	36 0010 62	Liquid gasket L5910	50 ml	Crankcase Joining
10	36 3140 04	Fork oil	160 ml	Front Fork Top-up/Replace\
11	36 DH40 29	Kit Spray Chain Lub	100 ml	Sealed Drive Chain
12	36 DH40 71	Wonderfill Chain Spray	100 ml	Sealed Drive Chain



Consumable Parts

13		14		15	
16		17		18	
19		20		21	
22		23		24	

No.	Part No.	Description	Supply Unit	Application
13	36 DH40 72	Rust Remover Spray Make - Zorric 88 & Wonder fill easiner	100 ml	For Removing Rust from Components
14	76 0109 36	Loctite Thread locker 243	50 ml	For Screws & Bolts
15	76 0109 37	Loctite retaining compound 638	50 ml	For Screws & Bolts
16	37 0043 52	Touch up paint slate grey	440 ml	Touch up of Frame, Swing Arm & Step Holder
17	37 0043 53	Touch up paint Matte Silk black	440 ml	Touch up of Grab Handle, Handle Bar & Handle Holder
18	36 0010 60	Kibatsu touch up paint	400 cc	Touch up of Cylinder head, Block & Alloy Wheels
19	37 2240 18	Paint Bottle Schwartz Black	--	P-200NS Frame Touch-up
20	75 6802 36 NA	Petroleum Jelly (Local Purchase) Distilled Water (Local Purchase)	-- 1 Ltr.	For Battery Terminals For Battery Level Top-up
21	NA	SAE 90 oil (Local Purchase)	-	
22	62 3050 84	WD40 Spray (Local Purchase)	400 ml	Electrical Contact Cleaning Spray
23	36 0010 56	Carburetor Cleaning Spray		For Cleaning Carburetor
24	37 2540 39	Corrosion Protection Spray Proto quick LTP902 (To be ordered on Vendor)	--	For Preventing vehicle parts from rusting

# Kit List

Sr No	Kit Part No.	Kit Description	Consisting of Following Parts		
			Part No.	Description	Qty/Kit
1	36DS1001	Cyl.Head O Ring Kit	39239121	O Ring (Cover tappet)	2
			39128321	O ring	2
2	36DS1002	Valve Kit	DS101023	Valve Intake	1
			DS101024	Valve Exhaust	1
3	36DK0005	Valve Repair Kit	DS101083	Retainer valve spring	2
			DH101731	Spring valve inner	2
			DH101730	Spring valve outer	2
			DH101026	Seat valve spring	2
4	36DH4030	Guide Chain Kit	DH101923	Guide chain (Tight)	1
			DK101059	Guide Chain (slack)	1
5	36DH4116	Set primary drive & driven	DH101628	Gear primary drive	1
			DH102206	Clutch Housing com.	1
6	36DH4019	Kit centrifugal oil filter	39220011	Washer	1
			DH101234	Gasket centrifugal oil filter	1
			DH101640	Screw	1
			DH101066	Join oil dealivery	1
			DH101067	Spring oil delivery	1
39219908	Pin oil delivery joint	1			
11	36DH1008	Boss Kick Set	DH101185	Spring Kick Starter Arm	1
			DH101068	Ball steel	1
			DH101547	Base kick lever	1
			DH101548	Hex. bolt with flange	1
			DH101320	Bolt	1
13	36DK0015	Kit element air filter	DK121002	Element air filter fine	1
			DK121003	Element air filter coarse	1
14	36DH4011	Kit hardware shield	DH101301	Seal shield muflar	2

# Kit List

Sr No	Kit Part No.	Kit Description	Consisting of Following Parts		
			Part No.	Description	Qty/Kit
			DH101395	Trust screw	2
			DH101481	Grommet shield	1
15	36DK0009	Kit hardware silencer	39185004	Flange bolt	1
			39242511	Plain washer	1
			DD161071	U nut	1
			DH161155	Damper silencer	1
DH161157	Tube silencer mounting	1			
19	36DK0013	Kit hardware pillion	DJ161186	Plait side pillion stape	2
			DH161061	Pin pillion set	2
			30141031	"O" ring	2
			39104011	Plain washer	2
			39078408	Split pin	2
21	36DH4013	Chain sprocket kit	DH151056	Sprocket (43 teeth)	1
			DJ151096	Chain	1
			DH101117	Sprocket Drive	1
22	36DK0016	Kit hardware bracket pedal	39212104	Flange bolt	1
			DH191013	Sprocket brake shifter assly	1
			39153721	"O" ring	1
			DH191023	Dust cap	1
24	36DH4015	Kit hardware rod torque	39078912	Spring washer	2
			3079415	Nut lock	2
			39080708	Pin snap	2
			39154011	Plain washer	1
26	36DK0020	Kit outer tube	DJ181089	Seal dust	2
			DJ181088	Ring snap	2
			DS181072	Guide bush washer	2
			DS181070	Guide bush	2







# Parts Index

Part Number	Figure No.	Page No.
15 1610 69	3	94
22 1504 51	7	58
30 1010 61	21	16
30 1011 42	3	28
30 1410 31	15	58
30 1510 05	21	72
30 1510 11	18	72
30 1510 33	4	66
30 1510 38	22	72
30 1510 68	17	72
30 1510 69	16	72
30 1510 75	14	72
30 1510 82	8	72
30 1510 95	8	74
30 1511 18	14	66
30 1611 57	2	62
30 1810 09	23	80
30 1810 26	6	80
30 1810 29	15	80
30 1910 17	10	76
30 1910 35	17	74
30 1910 36	16	74
30 1910 38	15	74
30 1910 48	22	102
30 2010 64	10	102
30 2110 05	17	100
31 1011 06	16	26
31 1011 73	4	14
31 1210 06	9	12
31 1610 18	12	84
31 2010 79	6	102
33 1410 08	3	4
36 0010 52	7	50
36 DH 4015	7	74
36 DH10 08	3	38

Part Number	Figure No.	Page No.
36 DH16 01	1	84
36 DH19 02	15	68
36 DH4 103	6	12
36 DH40 11	3	40
36 DH40 13	6	72
36 DH40 19	13	14
36 DH40 30	5	10
36 DH40 48	1	68
36 DH40 99	1	26
36 DH41 02	4	12
36 DH41 04	13	110
36 DH41 05	13	110
36 DH41 09	11	110
36 DH41 10	12	110
36 DH41 11	13	110
36 DH41 12	10	110
36 DH41 15	8	80
36 DH41 16	13	32
36 DH41 17	2	32
36 DH41 18	8	36
36 DH41 19	2	36
36 DH41 21	2	24
36 DH41 22	13	110
36 DH41 23	13	110
36 DH41 25	9	108
36 DH41 26	10	110
36 DH41 27	13	110
36 DH41 28	11	110
36 DH41 29	12	110
36 DH4106	9	108
36 DJ40 31	1	68
36 DJ40 32	9	70
36 DJ40 33	10	70
36 DJ40 63	9	108
36 DJ40 64	10	110

# Parts Index

Part Number	Figure No.	Page No.
36 DJ40 65	11	110
36 DJ40 66	12	110
36 DJ40 68	10	110
36 DJ40 69	9	108
36 DJ40 75	9	108
36 DJ40 76	10	110
36 DJ40 78	9	108
36 DJ40 79	10	110
36 DK00 05	6	8
36 DK00 09	6	40
36 DK00 11	3	52
36 DK00 13	6	56
36 DK00 13	9	58
36 DK00 16	3	74
36 DK00 20	2	80
36 DK00 65	9	70
36 DK00 66	10	70
36 DK01 25	11	110
36 DK01 26	12	110
36 DK01 37	11	110
36 DK01 38	12	110
36 DK01 39	11	110
36 DK01 40	12	110
36 DS10 01	3	2
36 DS10 01	10	6
36 DS10 02	7	8
36 DS40 27	5	50
36 DU19 01	11	76
39 0198 11	6	74
39 0296 15	13	92
39 0422 15	9	62
39 0454 11	12	54
39 0553 02	11	54
39 0711 11	7	60
39 0714 11	12	74

Part Number	Figure No.	Page No.
39 0722 11	26	72
39 0737 12	11	74
39 0738 17	18	38
39 0740 11	7	82
39 0784 08	14	58
39 0787 08	3	62
39 0787 08	1	66
39 0789 12	11	80
39 0801 15	2	72
39 0808 08	13	74
39 0817 15	6	100
39 0849 14	18	48
39 0900 12	15	66
39 0963 15	6	58
39 0972 04	10	48
39 0993 11	9	38
39 0999 06	11	28
39 0999 06	6	30
39 1040 11	7	52
39 1041 19	4	28
39 1075 04	9	2
39 1180 11	27	78
39 1197 04	6	20
39 1283 21	5	6
39 1283 21	3	30
39 1507 11	3	102
39 1524 01	14	96
39 1552 04	4	86
39 1556 04	5	84
39 1606 01	3	84
39 1608 04	12	92
39 1620 11	9	18
39 1660 05	2	6
39 1672 04	3	18
39 1673 04	12	10

# Parts Index

Part Number	Figure No.	Page No.	Part Number	Figure No.	Page No.
39 1674 04	11	18	39 2181 06	2	12
39 1674 04	25	28	39 2188 19	4	26
39 1674 04	2	34	39 2189 19	10	26
39 1677 04	22	26	39 2190 19	11	26
39 1680 04	11	100	39 2194 21	6	34
39 1681 04	8	92	39 2199 08	16	14
39 1686 06	8	18	39 2200 11	12	32
39 1686 06	4	34	39 2202 07	7	28
39 1714 04	7	56	39 2203 07	8	14
39 1778 02	2	88	39 2276 11	17	38
39 1780 01	11	36	39 2305 04	23	26
39 1783 01	12	100	39 2310 04	11	52
39 1813 04	12	80	39 2311 04	12	52
39 1829 12	3	54	39 2344 11	10	38
39 1845 04	21	26	39 2366 15	17	54
39 1850 04	14	40	39 2412 04	6	52
39 1902 04	8	84	39 2413 04	5	52
39 1907 01	8	96	39 2414 04	9	52
39 1907 01	5	100	39 2424 11	4	84
39 1931 20	6	14	39 2427 04	16	76
39 1943 04	8	60	39 2440 11	9	8
39 1944 04	9	46	39 2443 11	18	28
39 1944 04	17	46	39 2448 11	20	26
39 1956 04	4	102	39 2453 04	6	22
39 1970 15	5	40	39 2492 11	13	40
39 1970 15	6	98	39 2532 04	8	2
39 2017 19	5	8	39 2557 17	7	18
39 2141 24	5	96	39 2583 20	6	24
39 2152 20	5	18	39 2583 20	8	26
39 2158 11	2	16	39 2592 01	4	100
39 2159 11	13	16	39 2601 20	9	24
39 2160 11	9	16	39 2602 20	7	24
39 2165 11	3	14	39 2603 20	7	26
39 2166 11	11	16	39 2606 07	7	20
39 2180 06	8	24	39 2608 01	9	6

# Parts Index

Part Number	Figure No.	Page No.	Part Number	Figure No.	Page No.
39 2647 15	6	2	52 DH15 30	3	106
39 2658 04	8	52	52 DH15 31	8	108
39 2758 21	9	82	52 DH15 32	8	108
52 DH01 69	1	34	52 DH15 35	4	106
52 DH01 77	10	18	52 DH15 36	4	106
52 DH09 28	4	92	52 DH15 96	1	106
52 DH13 17	1	30	52 DH15 97	6	108
52 DH13 18	1	28	52 DH15 98	7	108
52 DH13 20	1	106	52 DH15 99	2	106
52 DH13 21	1	106	52 DH16 00	3	106
52 DH13 22	6	108	52 DH16 01	8	108
52 DH13 23	6	108	52 DH16 03	4	106
52 DH13 24	7	108	52 DJ01 66	1	94
52 DH13 25	7	108	52 DJ09 51	2	106
52 DH13 35	8	108	52 DJ09 52	3	106
52 DH13 36	8	108	52 DJ09 56	2	106
52 DH13 52	7	30	52 DJ09 57	3	106
52 DH13 57	4	106	52 JN01 36	2	2
52 DH13 58	4	106	56 DH05 3F	5	106
52 DH13 63	1	106	56 DH05 4R	5	106
52 DH13 64	6	108	56 DH05 7Q	5	106
52 DH13 65	7	108	56 DH05 7T	5	106
52 DH13 66	4	106	56 DH3X 1Y	1	56
52 DH13 68	2	106	56 DH3Y 1Y	2	56
52 DH13 69	3	106	56 DJ4E 1Y	13	48
52 DH13 70	8	108	59 0200 01	11	84
52 DH15 21	1	106	59 0400 07	17	80
52 DH15 22	1	106	59 0500 08	3	24
52 DH15 23	6	108	59 0500 08	2	26
52 DH15 24	6	108	59 1000 02	17	48
52 DH15 25	7	108	59 1500 03	8	66
52 DH15 26	7	108	59 2000 07	25	26
52 DH15 27	2	106	59 2000 07	9	48
52 DH15 28	2	106	59 2000 28	12	18
52 DH15 29	3	106	59 2000 29	14	18

# Parts Index

Part Number	Figure No.	Page No.
59 2000 29	9	26
59 2100 06	5	26
59 2100 19	4	90
60 1114 15	19	102
60 1114 20	14	102
AA 1014 37	24	16
AA 1014 37	4	24
AK 2010 12	17	102
AP 1010 43	8	30
AP 2010 25	18	102
CL 2010 23	15	96
CS 1011 28	1	10
DD 1010 62	13	10
DD 1010 97	2	38
DD 1110 12	14	46
DD 1210 07	3	12
DD 1412 27	6	82
DD 1910 15	8	50
DE 1510 06	3	66
DE 1510 08	6	66
DE 1510 12	5	66
DE 1510 15	11	68
DE 1510 43	7	70
DE 1510 46	4	70
DE 1510 47	5	70
DE 1910 10	5	68
DF 1611 02	8	62
DF 1810 98	4	96
DG 1010 29	4	8
DG 1014 18	8	28
DG 1014 18	2	30
DG 1014 98	11	2
DG 1110 08	7	46
DG 1210 40	18	44
DG 1611 24	7	40

Part Number	Figure No.	Page No.
DG 1710 25	18	54
DG 1810 08	3	60
DG 1810 08	4	76
DG 1810 08	19	80
DH 0101 08	15	112
DH 0101 09	14	110
DH 0101 20	17	112
DH 0101 21	17	112
DH 0101 30	15	112
DH 0101 31	14	110
DH 0101 42	17	112
DH 0101 43	17	112
DH 0101 55	15	112
DH 0101 56	14	110
DH 0101 67	17	112
DH 0101 68	17	112
DH 0101 85	6	108
DH 0101 86	7	108
DH 0102 00	18	112
DH 0102 01	6	108
DH 0102 09	17	112
DH 0102 10	17	112
DH 0102 19	6	108
DH 0102 20	7	108
DH 1010 06	5	24
DH 1010 64	10	14
DH 1010 66	17	14
DH 1010 67	14	14
DH 1010 72	2	18
DH 1010 78	3	16
DH 1010 79	4	16
DH 1010 80	6	16
DH 1010 82	7	16
DH 1011 08	12	16
DH 1011 10	14	16

# Parts Index

Part Number	Figure No.	Page No.
DH 1011 11	15	16
DH 1011 16	20	16
DH 1011 17	22	16
DH 1011 21	8	38
DH 1011 41	5	28
DH 1011 42	6	28
DH 1011 46	3	20
DH 1011 52	20	28
DH 1011 54	13	28
DH 1011 63	16	48
DH 1011 72	7	48
DH 1011 95	11	14
DH 1011 97	2	28
DH 1011 99	5	46
DH 1012 03	12	26
DH 1012 34	15	14
DH 1012 35	5	16
DH 1012 72	10	2
DH 1012 75	24	28
DH 1012 92	12	30
DH 1012 93	14	30
DH 1012 94	13	30
DH 1012 95	8	8
DH 1013 19	18	16
DH 1013 21	14	38
DH 1013 53	7	38
DH 1013 55	12	14
DH 1013 73	15	18
DH 1013 79	6	26
DH 1013 80	6	46
DH 1013 81	4	46
DH 1013 85	5	48
DH 1013 85	16	38
DH 1013 86	3	46
DH 1013 88	15	30

Part Number	Figure No.	Page No.
DH 1013 89	14	48
DH 1013 92	10	10
DH 1013 93	7	22
DH 1013 94	10	22
DH 1013 96	2	14
DH 1013 97	1	22
DH 1014 12	7	10
DH 1014 14	7	12
DH 1014 16	10	16
DH 1014 20	14	10
DH 1014 24	6	18
DH 1014 87	10	24
DH 1014 93	4	20
DH 1014 96	9	20
DH 1015 02	9	22
DH 1015 08	4	6
DH 1015 09	5	22
DH 1015 31	5	38
DH 1015 36	11	38
DH 1015 37	4	38
DH 1015 38	15	38
DH 1015 39	19	38
DH 1015 40	6	38
DH 1015 40	12	38
DH 1015 44	17	28
DH 1015 45	1	38
DH 1015 81	4	48
DH 1016 07	9	40
DH 1016 28	9	14
DH 1016 47	10	66
DH 1016 48	11	32
DH 1016 61	15	26
DH 1016 71	5	12
DH 1017 14	2	22
DH 1017 95	8	32

# Parts Index

Part Number	Figure No.	Page No.
DH 1018 81	12	28
DH 1019 20	17	16
DH 1020 13	8	16
DH 1020 22	19	16
DH 1020 52	4	18
DH 1021 03	1	2
DH 1021 03	1	6
DH 1021 04	1	18
DH 1021 07	6	6
DH 1021 18	7	6
DH 1021 25	8	10
DH 1021 74	7	4
DH 1021 75	8	4
DH 1021 77	1	24
DH 1021 80	9	4
DH 1021 89	8	20
DH 1021 98	10	32
DH 1022 00	3	26
DH 1022 01	5	2
DH 1022 10	3	32
DH 1022 11	4	32
DH 1022 12	6	32
DH 1022 14	1	32
DH 1022 20	1	14
DH 1022 30	3	6
DH 1022 32	13	26
DH 1022 61	10	40
DH 1022 63	8	40
DH 1022 72	2	40
DH 1022 74	3	42
DH 1022 76	7	42
DH 1022 77	5	42
DH 1022 81	6	42
DH 1022 85	1	16
DH 1022 92	16	16

Part Number	Figure No.	Page No.
DH 1110 12	8	6
DH 1110 13	15	46
DH 1110 15	13	46
DH 1110 81	1	46
DH 1110 83	2	46
DH 1110 84	11	48
DH 1111 04	8	46
DH 1111 11	11	46
DH 1111 13	12	46
DH 1111 15	11	48
DH 1210 09	7	34
DH 1210 10	3	34
DH 1210 11	15	28
DH 1210 12	16	28
DH 1210 35	5	34
DH 1210 44	10	36
DH 1210 57	5	36
DH 1210 93	12	36
DH 1211 41	4	36
DH 1211 62	7	36
DH 1211 67	9	36
DH 1211 68	3	36
DH 1211 76	15	36
DH 1211 90	4	42
DH 121169	13	36
DH 1212 02	1	42
DH 1212 08	6	4
DH 1212 09	1	36
DH 1410 20	5	82
DH 1410 23	6	84
DH 1410 24	13	82
DH 1410 68	11	44
DH 1410 68	11	82
DH 1410 69	6	44
DH 1410 70	3	44

# Parts Index

Part Number	Figure No.	Page No.
DH 1410 71	16	44
DH 1410 72	15	44
DH 1410 73	10	44
DH 1410 74	12	44
DH 1410 75	19	44
DH 1410 78	1	82
DH 1510 29	10	74
DH 1510 39	2	70
DH 1510 77	1	64
DH 1510 79	3	64
DH 1510 81	7	66
DH 1610 53	4	58
DH 1610 56	8	58
DH 1610 57	12	58
DH 1610 66	6	62
DH 1611 00	16	58
DH 1611 46	7	62
DH 1611 55	9	56
DH 1611 94	5	58
DH 1612 39	4	62
DH 1612 58	2	60
DH 1612 80	7	94
DH 1612 83	5	94
DH 1612 84	2	94
DH 1612 93	2	100
DH 1612 93	16	100
DH 1612 97	7	98
DH 1613 01	10	52
DH 1614 24	5	60
DH 1614 29	20	44
DH 1614 68	10	58
DH 1614 70	11	58
DH 1614 71	5	62
DH 1614 85	21	102
DH 1614 95	2	52

Part Number	Figure No.	Page No.
DH 1614 97	4	52
DH 1614 99	1	50
DH 1615 09	2	92
DH 1615 10	10	92
DH 1615 40	1	52
DH 1615 51	14	52
DH 1615 54	14	100
DH 1615 59	11	60
DH 1710 12	9	54
DH 1710 15	7	54
DH 1710 19	8	54
DH 1710 19	25	72
DH 1710 23	1	54
DH 1710 24	16	54
DH 1710 31	6	54
DH 1810 15	14	80
DH 1810 52	10	96
DH 1810 63	4	80
DH 1810 92	22	80
DH 1810 99	17	76
DH 1811 01	5	80
DH 1811 22	3	50
DH 1811 23	1	80
DH 1811 24	25	80
DH 1811 25	26	80
DH 1811 27	9	80
DH 1811 28	16	80
DH 1811 29	13	80
DH 1811 30	25	78
DH 1811 30	1	82
DH 1811 31	3	76
DH 1811 33	2	76
DH 1811 35	1	76
DH 1811 35	18	80
DH 1910 01	1	74

# Parts Index

Part Number	Figure No.	Page No.
DH 1910 06	4	74
DH 1910 07	12	76
DH 1910 08	13	76
DH 1910 12	7	102
DH 1910 17	24	78
DH 1910 19	14	76
DH 1910 66	1	88
DH 2010 19	8	102
DH 2010 76	1	102
DH 2010 77	2	102
DH 2010 79	2	90
DH 2010 93	10	62
DH 2010 96	13	102
DH 2011 05	5	102
DH 2110 12	1	86
DH 2210 12	1	92
DH 2210 13	9	92
DJ 1010 64	4	40
DJ 1013 12	23	16
DJ 1017 05	24	26
DJ 1210 59	14	36
DJ 1210 89	5	4
DJ 1410 08	2	50
DJ 1410 08	7	84
DJ 1410 56	3	82
DJ 1510 32	1	72
DJ 1510 33	3	72
DJ 1510 34	23	72
DJ 1510 36	13	54
DJ 1510 37	14	54
DJ 1510 42	9	74
DJ 1510 47	15	54
DJ 1510 53	7	72
DJ 1510 59	20	72
DJ 1510 68	3	70

Part Number	Figure No.	Page No.
DJ 1510 69	4	70
DJ 1510 70	5	70
DJ 1510 72	7	70
DJ 1510 73	8	70
DJ 1510 76	2	68
DJ 1510 92	19	72
DJ 1510 94	17	66
DJ 1610 07	2	84
DJ 1610 12	10	30
DJ 1610 69	1	60
DJ 1610 72	9	100
DJ 1610 79	6	92
DJ 1610 80	7	92
DJ 1610 88	13	52
DJ 1610 90	13	58
DJ 1610 91	6	60
DJ 1611 22	5	56
DJ 1611 26	1	58
DJ 1611 27	3	58
DJ 1611 28	3	56
DJ 1611 29	4	56
DJ 1612 14	1	62
DJ 1612 21	10	60
DJ 1612 27	4	94
DJ 1612 29	12	96
DJ 1612 54	9	60
DJ 1612 78	8	56
DJ 1614 16	16	112
DJ 1710 08	10	54
DJ 1710 31	4	54
DJ 1810 29	2	96
DJ 1810 33	3	96
DJ 1810 37	7	96
DJ 1810 41	24	80
DJ 1810 52	21	80

# Parts Index

Part Number	Figure No.	Page No.
DJ 1810 64	18	96
DJ 1810 69	9	96
DJ 1810 85	20	80
DJ 1810 87	3	80
DJ 1811 15	6	50
DJ 1811 19	4	88
DJ 1811 30	13	96
DJ 1811 31	12	66
DJ 1910 10	5	74
DJ 1910 15	3	90
DJ 1910 21	2	74
DJ 1910 27	6	68
DJ 1910 28	7	68
DJ 1910 29	8	68
DJ 1910 30	9	68
DJ 1910 31	10	68
DJ 1910 32	11	68
DJ 1910 34	13	68
DJ 1910 35	14	68
DJ 1910 56	1A	68
DJ 1910 57	3	68
DJ 1910 61	1	90
DJ 1910 82	7	76
DJ 1910 83	8	76
DJ 2010 72	16	96
DJ 2010 72	7	100
DJ 2011 09	12	68
DJ 2011 37	3	88
DJ 2011 40	19	26
DJ 2012 02	10	46
DJ 2012 06	2	98
DJ 2012 06	3	98
DJ 2012 07	1	98
DJ 2012 07	4	98
DJ 2012 46	21	78

Part Number	Figure No.	Page No.
DJ 2110 06	3	86
DJ 2110 07	6	86
DJ 2210 03	28	78
DJ 2210 04	29	78
DJ 2210 19	1	104
DK 1010 63	1	12
DK 1011 35	10	20
DK 1011 59	1	20
DK 1011 60	2	20
DK 1011 76	6	48
DK 1012 47	10	8
DK 1012 53	3	22
DK 1013 80	17	26
DK 1014 80	14	28
DK 1015 74	7	32
DK 1015 92	8	12
DK 1015 95	1	48
DK 1015 96	15	48
DK 1016 05	2	48
DK 1016 10	12	40
DK 1016 36	23	28
DK 1017 25	8	22
DK 1017 32	5	20
DK 1017 33	4	22
DK 1017 38	21	28
DK 1017 48	1	8
DK 1017 51	2	8
DK 1017 55	3	8
DK 1410 15	4	82
DK 1510 26	5	64
DK 1510 69	4	68
DK 1510 94	12	72
DK 1611 23	9	84
DK 1611 24	10	84
DK 1611 53	3	100



# Parts Index

Part Number	Figure No.	Page No.	Part Number	Figure No.	Page No.
DK 1611 71	17	84	GH 2010 12	5	98
DK 1611 72	18	84	GL 1710 36	5	44
DK 1810 43	15	76	JA 5812 33	6	36
DK 1810 82	22	78	JB 1220 16	2	54
DK 1810 83	20	76	JB 1310 17	13	66
DK 1810 86	23	78	JB 1310 18	9	66
DK 2010 03	1	100	JB 4014 02	18	76
DK 2010 65	8	82	JB 5910 59	11	40
DK 2010 78	12	102	JC 1010 34	11	10
DK 2110 07	2	86	JC 1010 35	9	10
DK 2210 24	2	104	JC 1010 85	4	10
DL 1810 10	6	96	JC 1010 86	3	10
DL 1910 14	9	76	JC 1011 12	3	48
DP 1611 44	13	100	JC 1011 15	8	48
DP 1611 45	10	100	JC 1410 15	14	84
DS 1010 71	19	28	JC 1410 16	16	84
DS 1010 84	7	2	JC 1410 17	15	84
DS 1011 54	5	14	JC 2010 27	18	46
DS 1011 66	4	2	JD 1138 14	11	4
DS 1012 01	22	28	JD 1138 15	12	4
DS 1012 15	9	28	JD 3512 06	16	46
DS 1012 34	14	26	JD 4014 00	6	76
DS 1013 53	10	28	JE 5410 08	13	38
DS 1013 53	5	30	JE 5412 12	9	30
DS 1013 53	12	48	JF 1310 10	2	64
DS 1013 53	11	30	JF 1312 11	4	64
DS 1510 68	11	72	JF 1318 06	1	70
DS 1510 73	10	72	JF 4014 00	5	76
DS 1611 25	4	60	JF 4018 03	9	102
DS 1810 71	10	80	JG 1710 29	4	44
DS 1910 35	14	74	JG 1710 29	12	82
DS 2110 05	5	86	JG 1710 86	7	44
DS 2210 01	3	92	JG 4018 08	23	102
DV 1010 42	4	30	JG 5514 43	9	32
DX 1610 47	6	94	JH 1220 09	5	54

# Parts Index

Part Number	Figure No.	Page No.	Part Number	Figure No.	Page No.
JH 1220 13	19	54	KA DF06 30	13	4
JH 1710 48	17	44	KA EG06 14	10	4
JL 4020 04	20	102	KB BJ05 14	12	60
JL 4022 07	15	102	KB BM04 08	16	66
JL 4036 00	13	62	KB UA05 14	10	42
JL 5810 65	4	4	KC GA05 05	10	82
JL 5810 66	2	4	KC GF06 06	14	4
JN 1316 03	11	66	KC KE05 07	14	60
JN 1316 03	5	90	KD BF05 12	13	60
JP 1718 07	9	44	KJ AB10 19	18	26
JP 5810 18	8	42	KP BC60 04	9	72
JU 5112 14	5	8	KP BC62 02	13	72
JW 1318 07	6	70	KP BC63 01	2	66
JW 1710 07	13	84	KP BC63 02	15	72
JW 4010 11	8	100	LA C000 20	26	78
JY 1710 69	13	44	LA D000 15	15	60
JY 1710 70	2	44	LA D001 26	2	58
JY 1710 77	1	44	LC B000 05	4	72
JY 1710 90	8	44	LD B000 01	24	72
JY 1710 90	14	82	PD 1716 16	14	44
JY 1812 64	2	42	PD 5112 24	2	10
JY 5810 28	9	42	PD 5112 29	6	10
JZ 1138 13	12	62	PD 5310 29	7	14
JZ 1510 83	4	50	PD 5514 33	5	32
JZ 1813 20	16	102	PD 5822 00	1	4
KA CA05 16	2	82	PF 1312 20	5	72
KA CF08 30	7	80	YD H130 01	17	96
KA DA08 14	5	92	YD H190 01	1	96
KA DA08 20	17	58	YD H190 02	5	88
KA DA08 45	11	92	YD H190 03	1	40
KA DD05 14	11	62			
KA DD06 10	11	102			
KA DD06 12	19	76			
KA DD06 25	11	96			
KA DE06 30	15	100			