

 **pulsar**
200NS BS IV

AS 200



 **pulsar**
200NS BS IV

AS 200

Bajaj Auto Limited
Akurdi Pune 411 035 India
Tel +91 20 27472851
Fax +91 20 27407385
www.bajajauto.com

Spare Parts Catalogue



Notice

All information contained in this manual is based on the latest product information at the time of publication. Bajaj Auto Limited accepts no liability for any inaccuracies or omissions in this publication, although every possible care has been taken to make it as complete and accurate as possible. All procedures and specifications subject to change without prior notice. The right is reserved to make such changes at any time without prior notice and without incurring an obligation to make such changes to product manufactured previously. Contact your authorized Bajaj Dealer for the latest information on product improvements incorporated after this manual was issued.

DOC. NO.: 71112198

REV. 10 SEPT. 17

Copy rights : All rights reserved. No part of this publicatin may be reproduced, stored in a retrival system, Or transmitted in any form or by any means, electronic mechanical photocopying, recording or otherwise, without the prior written permission of Bajaj Auto LTD.

Foreword



We have pleasure in presenting the Spare Parts Catalogue for 'Pulsar AS 200 / 200 NS BS IV' Motorcycle. This catalogue has been specially designed to assist you in selecting the correct parts for procurement to maintain 100% availability.

The Bajaj spares are subjected to the stringent quality control standards to ensure longer life of the vehicle. It is therefore necessary that only the Genuine Bajaj Spares are used.

In a continual effort to improve Performance and Efficiency of the vehicles, Specifications, Diagrams, Illustrations and Part Numbers can change without notice. Consequently, the description in this Spare Parts Catalogue cannot therefore be final and binding on us.

The modifications / alterations which are carried out after the issue of this catalogue, will be conveyed to you through our Service Circulars. You are requested to make necessary corrections in the Parts Catalogue as per the circulars so as to keep your catalogue up-to-date. This will ensure the appropriate and speedy delivery of the Spare Parts as the order placed will bear the latest part numbers.

In case, if you need any technical assistance contact the concerned Regional Office or write to us on the following address :

Bajaj Auto Limited
Service Department
Akurdi, Pune 411 035 India

Instructions



1. How to Read the Catalogue : Open the catalogue and from the pictorial index locate the group in which the part you want to find is present. Turn over to the concerned page number (as given by pictorial index). Now find out the figure of the part you wish to order. Write down the part number against that particular figure number from the text.

In case, if you have the part number and you need the other details, the part index can be used. The part index (at the end of the catalogue) will give you the figure and page number of the part you wish to order.

2. How to Order Spare Parts : The part number and the description of the part required should be invariably mentioned in the order as per the catalogue text.

The latest part number as conveyed through our service circulars should only appear on the order. In case of ordering painted components, colour shade of the components should be mentioned.

The quantity shown against the part number is the quantity per vehicle for that group so that particular quantity should be multiplied by the number of sets required.

3. Part Number System : We have used 8 digit system for part numbers. The model or hardware item is indicated by first two digits or alphanumeric, the next two or four digits indicate main group and the last four or two digits indicate serial number in main group or serial number or subgroup of fastener respectively. Thus the part numbers will be indicated by 2-2-4 or 2-4-2 digit system. Understanding this system will enable you to identify the spare parts easily.

4. Abbreviations : The following abbreviations are used in this catalogue.

Assly	Assembly	V	Volts
N.I.	Not illustrated	W	Watts
C'case	Crankcase	Accl.	Accelerator
Cyl	Cylinder	Comp.	Complete
O/s	Over size	Fr.	Front
Rr.	Rear	Std.	Standard
L	Length	A/t.	Alternate
R.H.	Right hand	L.H.	Left hand
Hex.	Hexagonal	AR	As required

Index



AS 200

Plate No.	Description	Page No.
1	Cover Cylinder Head	2
2	SAI System	4
3	Cylinder Head	6
4	Valve	8
5	Camshaft / Tensioner	10
6	Cylinder and Piston	12
7	Crankshaft	14
8	Transmission	16
9	Change Drum / Shift Fork	18
10	Gear Change Mechanism	20
11	Engine Assly / Crankcase RH	22 - 24
12	Crankcase LH	26
13	Balancer Idler Gear / Water Pump	28
14	Oil Pump	30
15	Radiator	32 - 34
16	Cover Clutch	36
17	Cover Magneto	38
18	Clutch Assly	40
19	Carburettor	42
20	Air Cleaner Complete	44
21	EVAP Mechanism	46
22	Silencer Assly	48
23	Starter Assly	50
24	Magneto, C.D.I. & H.T. Coil	52
25	Seat Assly / Seat Lock	54
26	Engine Mountings	56
27	Frame and Frame Fitting	58
28	Swing Arm / Rear Shock Absorber	60
29	Pillion Foot Rest / Holder	62 - 64
30	Mudguard- Front & Rear	66
31	Stand Assembly	68
32	Tube / Tyre / Rim	70
33	Front Hub	72

Index



AS 200

Plate No.	Description	Page No.
34	Front Master Cylinder	74
35	Front Disc Brake	76
36	Rear Hub	78
37	Rear Disc Brake System	80
38	Rear Brake Pedal	82
39	Anti Lock Brake System	84
40	Handle Bar Assly	86 - 88
41	Front Fork	90 - 92
42	Radiator Covers	94
43	Petrol Tank, Cap Tank & Gauge Fuel	96 - 98
44	Fittings - Petrol Tank, Side Cover & Cover Seat	100 - 102
45	Fittings - Fairing & Tank Cover - Pulsar 200 AS	104 - 106
46	Fittings - Side Cover & Seat Cowl - Pulsar 200 AS	108
47	Meter Assly.	110
48	Control Cables	112
49	Chain Case & Under Belly Pan	114
50	Head Lamp & Fairing - Pulsar 200 NS	116 - 118
51	Head Lamp & Fairing Structure - Pulsar 200 AS	120
52	Indicator Light Assly.	122
53	Number Plate, Tail Lamp Assly - Pulsar 200 NS	124
54	Number Plate, Tail Lamp Assly - Pulsar 200 AS	126
55	Electrical Equipments	128 - 130
56	Tool Kit	132
57	Accessories / Grab Handle	134
58	Painted Parts and Decals - Pulsar 200 NS	136 - 138
59	Painted Parts and Decals - Pulsar 200 NS BS IV	140 - 144
60	Painted Parts and Decals - Pulsar AS 200	146 - 148
61	Consumable Parts	150 - 152
	Kits List	153 - 156
	Amendment Sheet (Parts Added)	157
	Amendment Sheet (Parts Deleted)	158
	Part Index	159 - 178

Pictorial Index

PLATE NO. : 1
COVER CYLINDER HEAD

PAGE NO.
1



PLATE NO. : 2
SAI SYSTEM

PAGE NO.
3

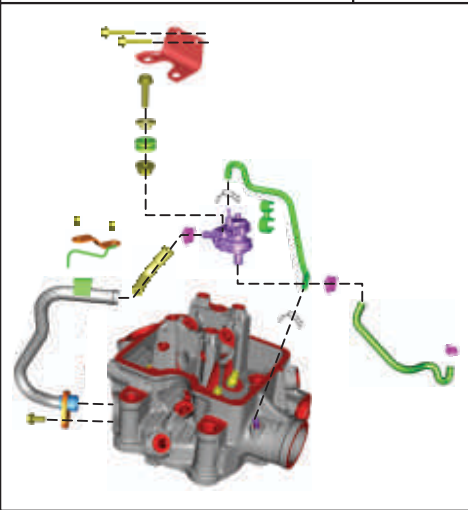


PLATE NO. : 3
CYLINDER HEAD

PAGE NO.
5

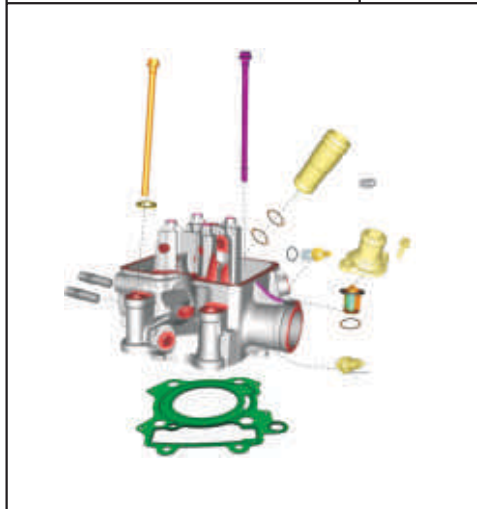
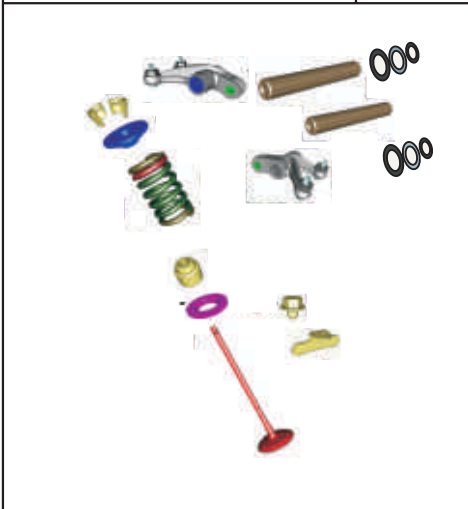


PLATE NO. : 4
VALVE

PAGE NO.
7



Pictorial Index

PLATE NO. : 5
CAMSHAFT / TENSIONER

PAGE NO.
9



PLATE NO. : 6
CYLINDER & PISTON

PAGE NO.
11

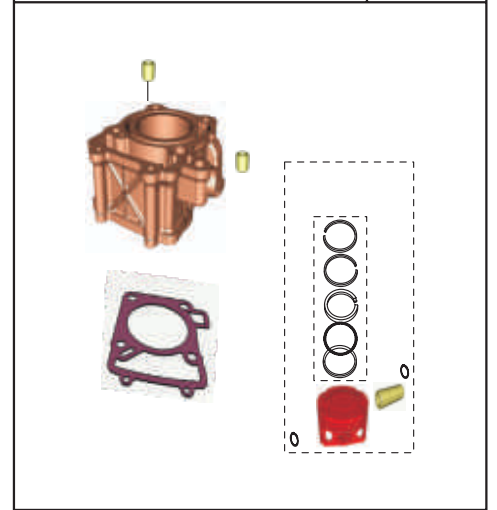


PLATE NO. : 7
CRANKSHAFT

PAGE NO.
13



PLATE NO. : 8
TRANSMISSION

PAGE NO.
15

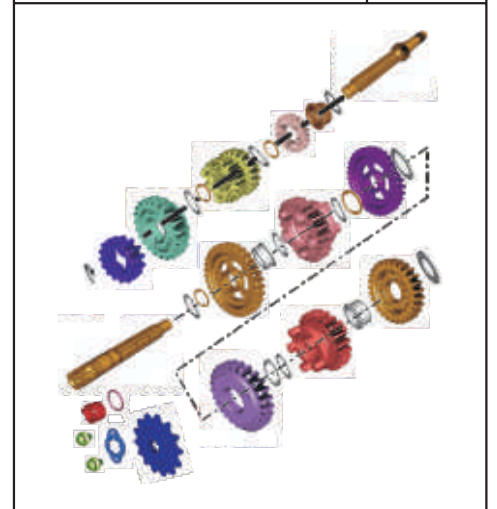


PLATE NO. : 9
CHANGE DRUM / SHIFT FORK

PAGE NO.
17

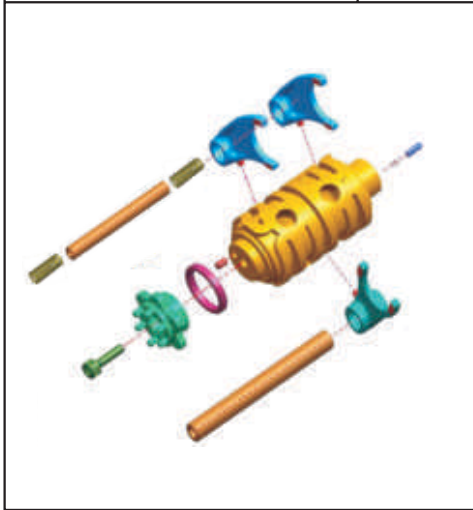


PLATE NO. : 10
GEAR CHANGE MECHANISM

PAGE NO.
19



PLATE NO. : 11
ENGINE ASSLY & CRANKCASE RH

PAGE NO.
21 - 23

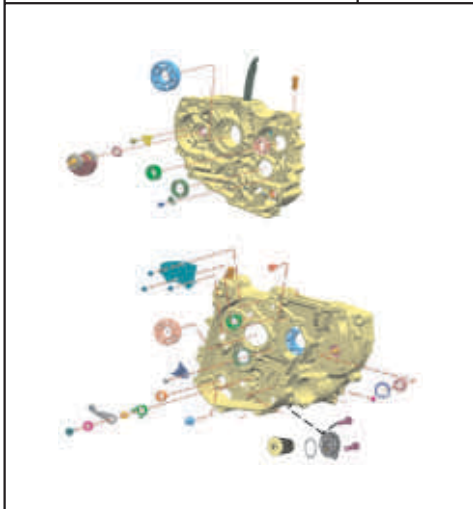


PLATE NO. : 12
CRANKCASE LH

PAGE NO.
25

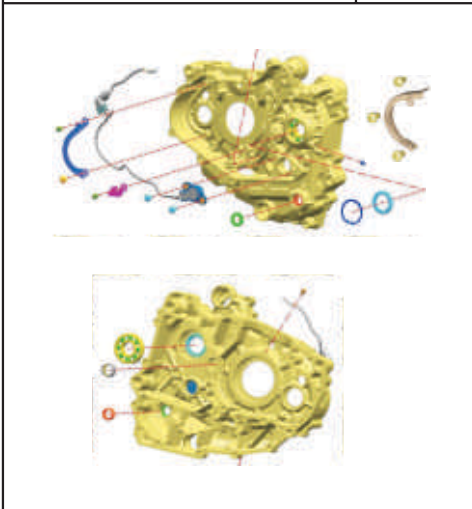


PLATE NO. : 13
BALANCER IDLER GEAR/WATER PUMP

PAGE NO.
27



PLATE NO. : 14
OIL PUMP

PAGE NO.
29

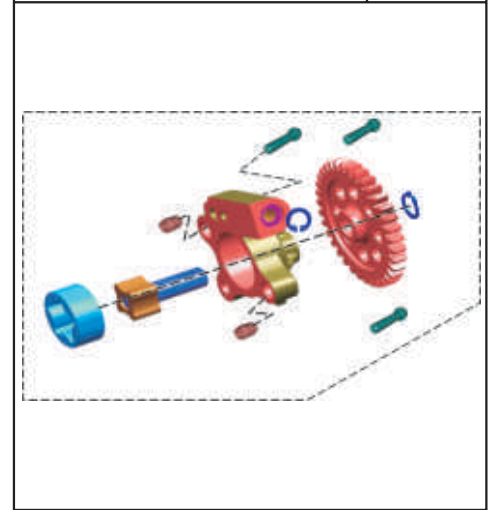


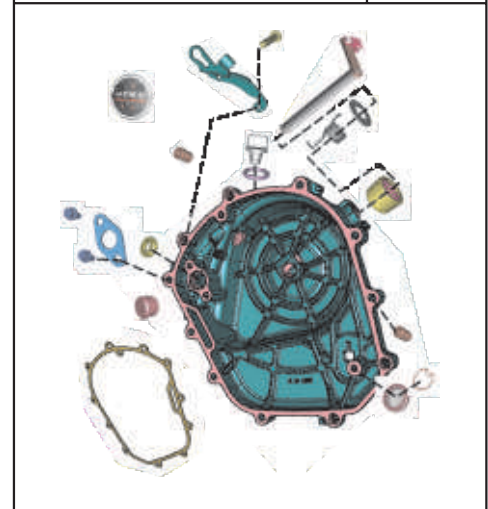
PLATE NO. : 15
RADIATOR

PAGE NO.
31 - 33



PLATE NO. : 16
COVER CLUTCH

PAGE NO.
35



Pictorial Index

PLATE NO. : 17
COVER MAGNETO

PAGE NO.
37

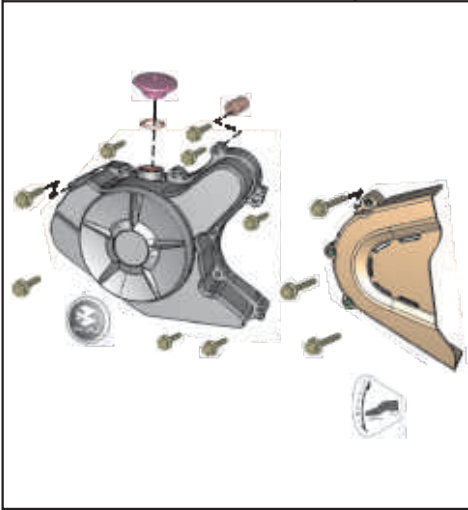


PLATE NO. : 18
CLUTCH ASSEMBLY

PAGE NO.
39

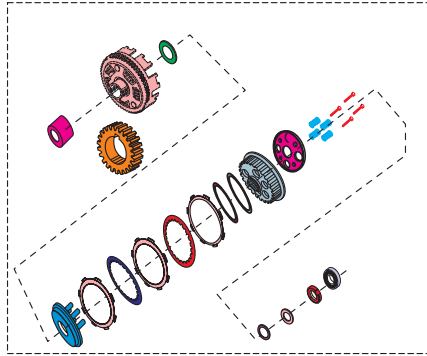


PLATE NO. : 19
CARBURETTOR

PAGE NO.
41

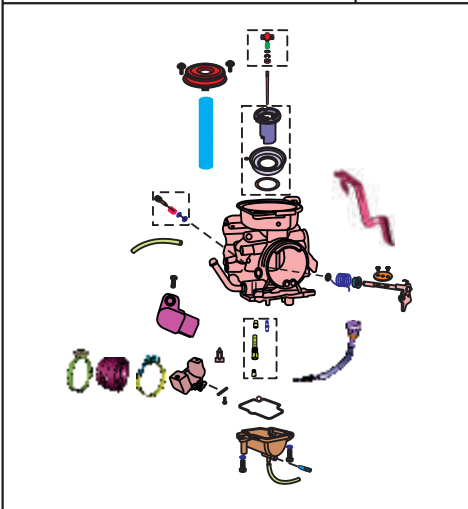
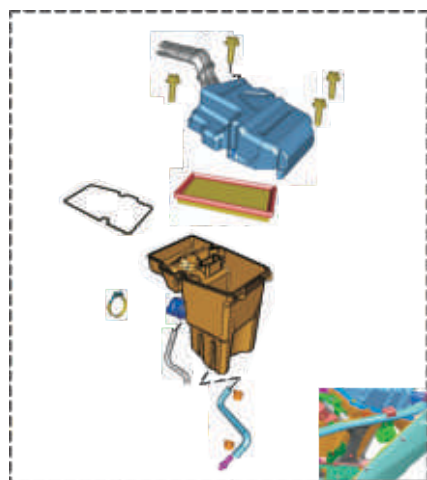


PLATE NO. : 20
AIR CLEANER COMPLETE

PAGE NO.
43



Pictorial Index

PLATE NO. : 21
EVAP MECHANISM

PAGE NO.
45

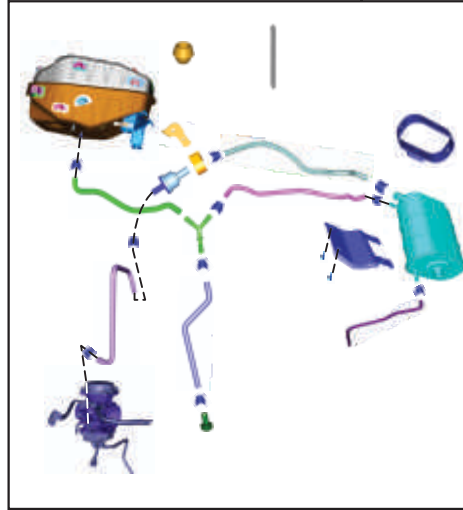


PLATE NO. : 22
SILENCER ASSEMBLY

PAGE NO.
47



PLATE NO. : 23
STARTER ASSEMBLY

PAGE NO.
49

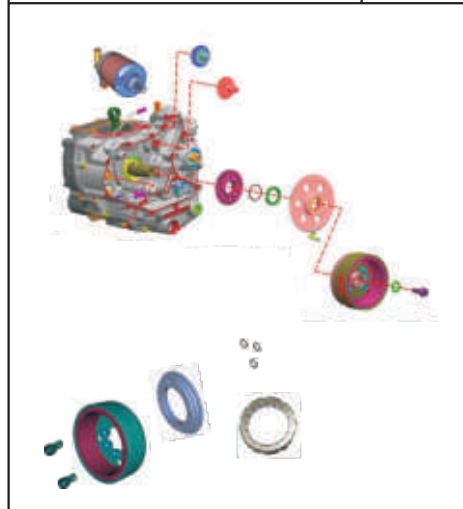


PLATE NO. : 24
MAGNETO, CDI & H.T. COIL

PAGE NO.
51



Pictorial Index

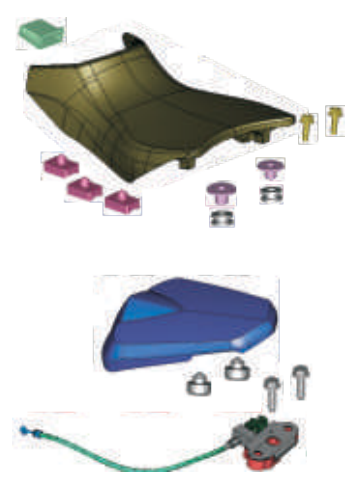


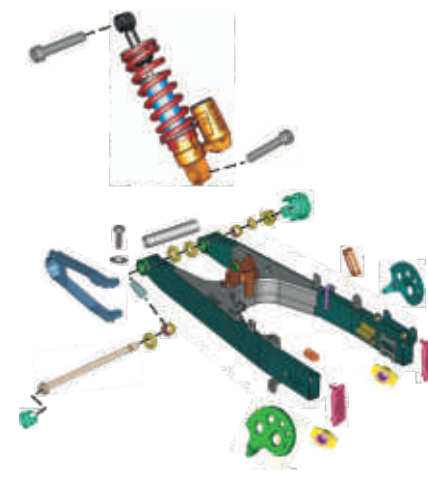
PLATE NO. : 25 SEAT ASSEMBLY / SEAT LOCK	PAGE NO. 53	PLATE NO. : 26 ENGINE MOUNTINGS	PAGE NO. 55
			

PLATE NO. : 27 FRAME & FRAME FITTINGS	PAGE NO. 57	PLATE NO. : 28 SWING ARM/REAR SHOCK ABSORBER	PAGE NO. 59
			

Pictorial Index



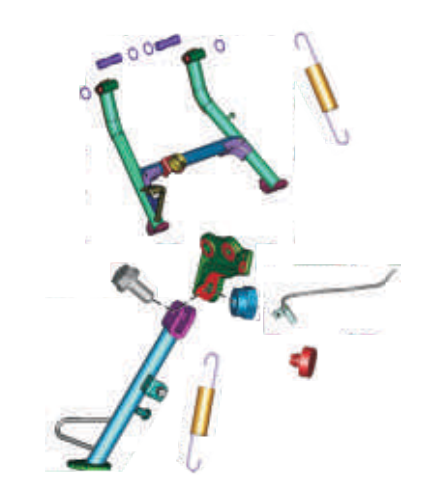

PLATE NO. : 29 PILLION FOOT REST / HOLDER	PAGE NO. 61 - 63	PLATE NO. : 30 MUDGUARD - FRONT & REAR	PAGE NO. 65
			

PLATE NO. : 31 STAND ASSEMBLY	PAGE NO. 67	PLATE NO. : 32 TUBE / TYRE / RIM	PAGE NO. 69
			

Pictorial Index

PLATE NO. : 33
FRONT HUB

PAGE NO.
71



PLATE NO. : 34
FRONT MASTER CYLINDER

PAGE NO.
73



PLATE NO. : 35
FRONT DISC BRAKE

PAGE NO.
75

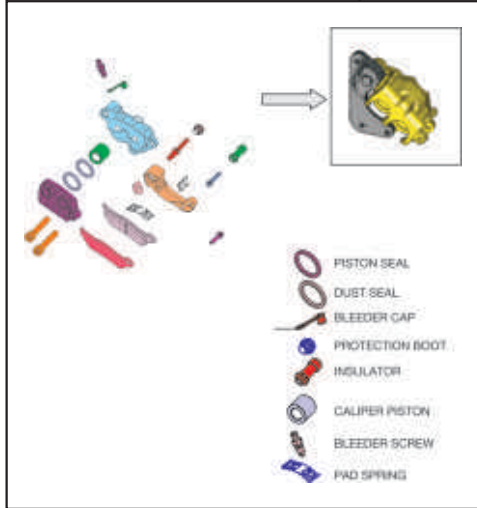


PLATE NO. : 36
REAR HUB

PAGE NO.
77



Pictorial Index

PLATE NO. : 37
REAR DISC BRAKE SYSTEM

PAGE NO.
79

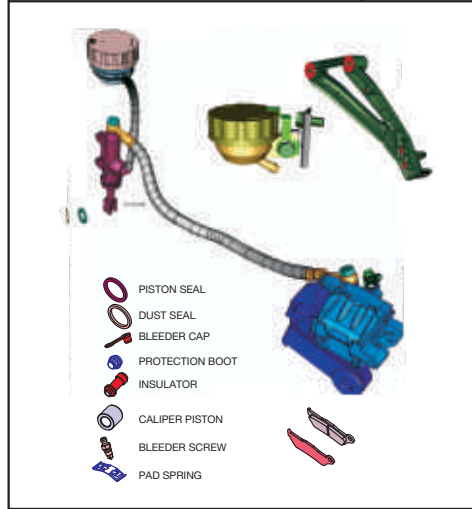


PLATE NO. : 38
REAR BRAKE PEDAL

PAGE NO.
81



PLATE NO. : 39
ANTI LOCK BRAKE SYSTEM

PAGE NO.
83

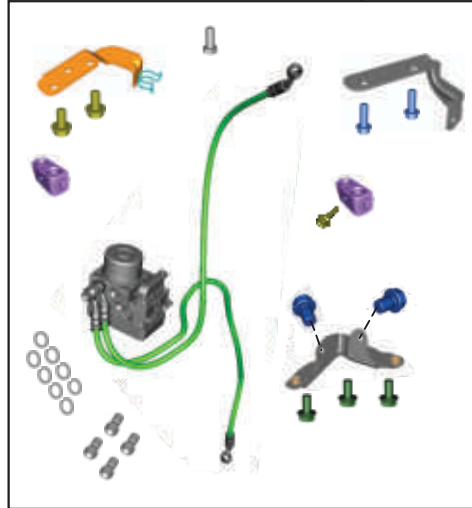
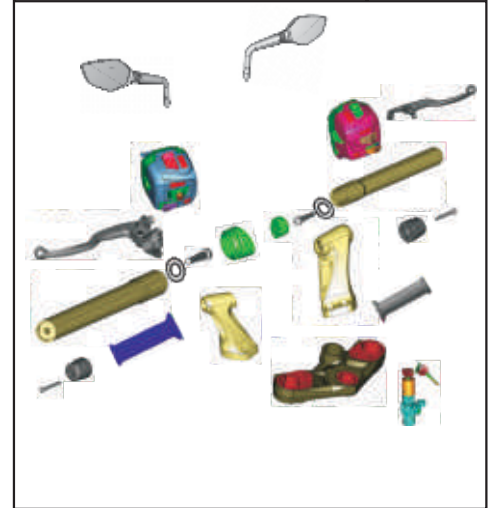


PLATE NO. : 40
HANDLE BAR ASSEMBLY

PAGE NO.
85 - 87



Pictorial Index

PLATE NO. : 41 FRONT FORK	PAGE NO. 89 - 91

PLATE NO. : 42 RADIATOR COVERS	PAGE NO. 93

PLATE NO. : 43 PETROL TANK, CAP TANK & GAUGE FUEL	PAGE NO. 95 - 97

PLATE NO. : 44 FITTING PETROL TANK COVER, SIDE COVERS & COVER SEAT	PAGE NO. 99 - 101

Pictorial Index

PLATE NO. : 45 FITTING - FAIRING & TANK COVER PULSAR 200 AS	PAGE NO. 103 - 105

PLATE NO. : 46 FITTINGS - SIDE COVER & SEAT COWL PULSAR 200 AS	PAGE NO. 107

PLATE NO. : 47 METER ASSEMBLY	PAGE NO. 109

PLATE NO. : 48 CONTROL CABLES	PAGE NO. 111

Pictorial Index

PLATE NO. : 49 CHAIN CASE & UNDER BELLY PAN	PAGE NO. 113

PLATE NO. : 50 HEAD LAMP & FAIRING - PULSAR 200 NS	PAGE NO. 115 - 117

PLATE NO. : 51 HEAD LAMP & FAIRING STRUCTURE PULSAR AS 200	PAGE NO. 119

PLATE NO. : 52 INDICATOR LIGHT ASSEMBLY	PAGE NO. 121

Pictorial Index

PLATE NO. : 53 NUMBER PLATE / TAIL LAMP ASSLY PULSAR 200 NS	PAGE NO. 123

PLATE NO. : 54 NUMBER PLATE / TAIL LAMP ASSLY PULSAR AS 200	PAGE NO. 125

PLATE NO. : 55 ELECTRICAL EQUIPMENT	PAGE NO. 127 - 129

PLATE NO. : 56 TOOL KIT	PAGE NO. 131

Pictorial Index

PLATE NO. : 57
ACCESSORIES / GRAB HANDLE

PAGE NO.
133

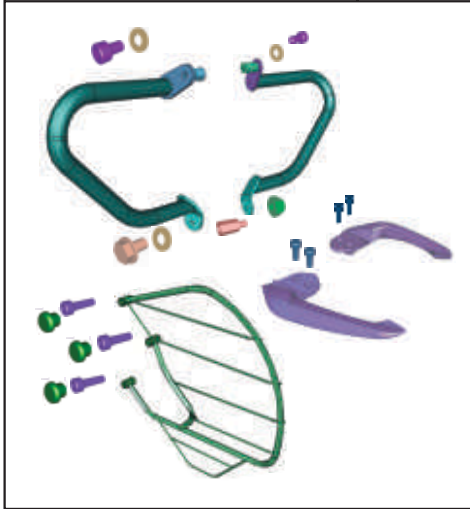


PLATE NO. : 58
PAINTED PARTS AND DECALS -
PULSAR 200 NS

PAGE NO.
135 - 137



PLATE NO. : 59
PAINTED PARTS AND DECALS -
PULSAR 200 NS BS IV

PAGE NO.
139 - 143

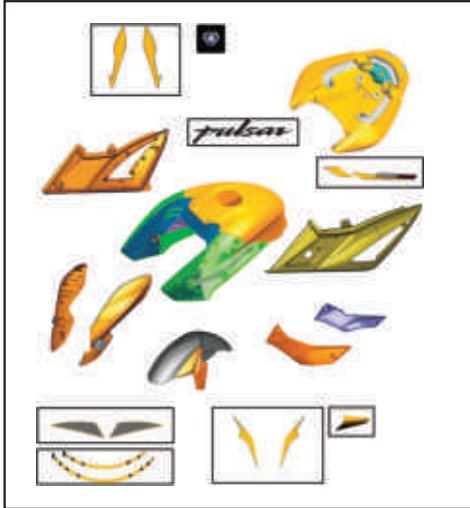


PLATE NO. : 60
PAINTED PARTS AND DECALS -
PULSAR AS 200

PAGE NO.
145 - 147



Pictorial Index

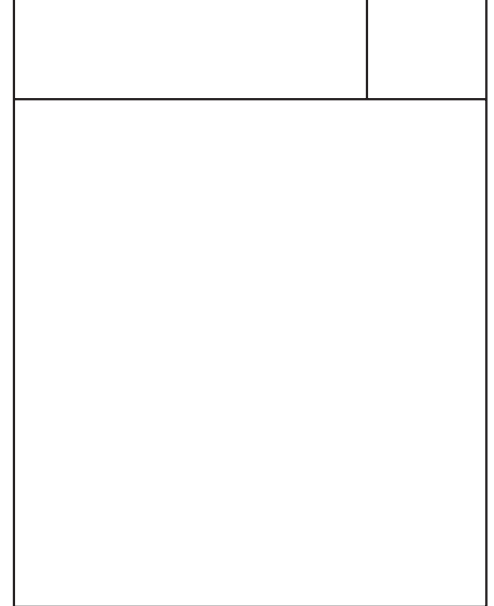
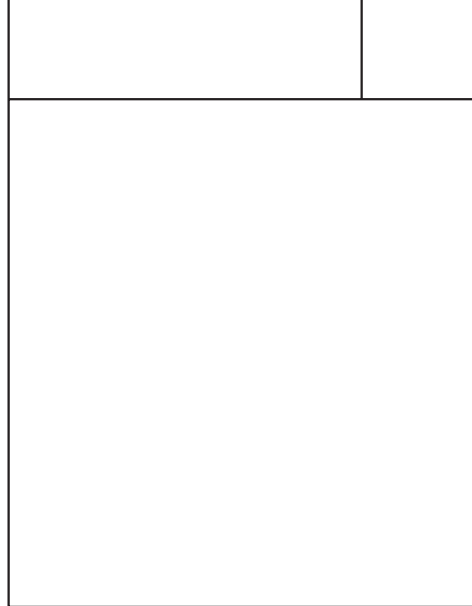
PLATE NO. : 61
CONSUMABLE PARTS

PAGE NO.
149

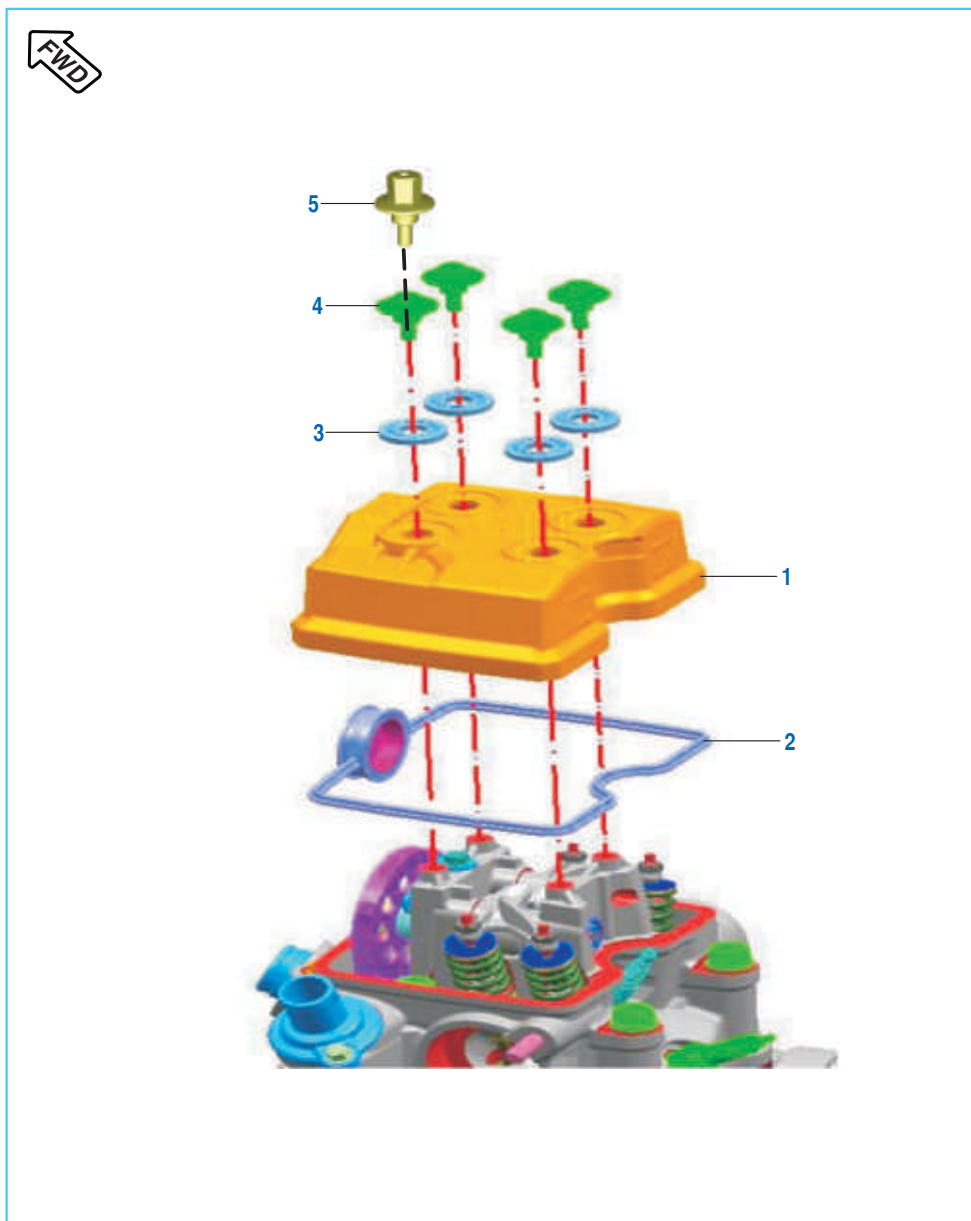


PLATE NO. : 61
CONSUMABLE PARTS

PAGE NO.
151

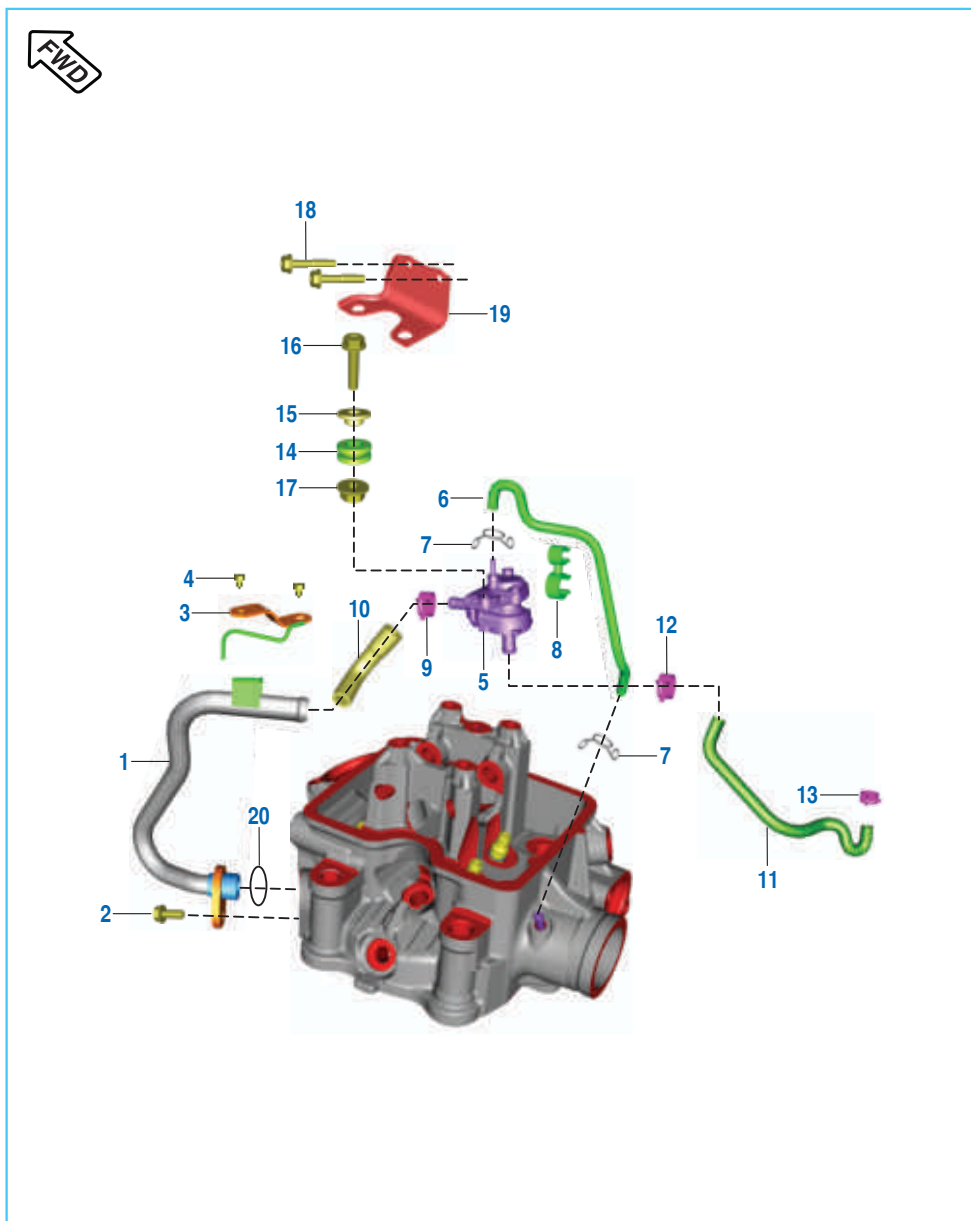


Cover Cylinder Head



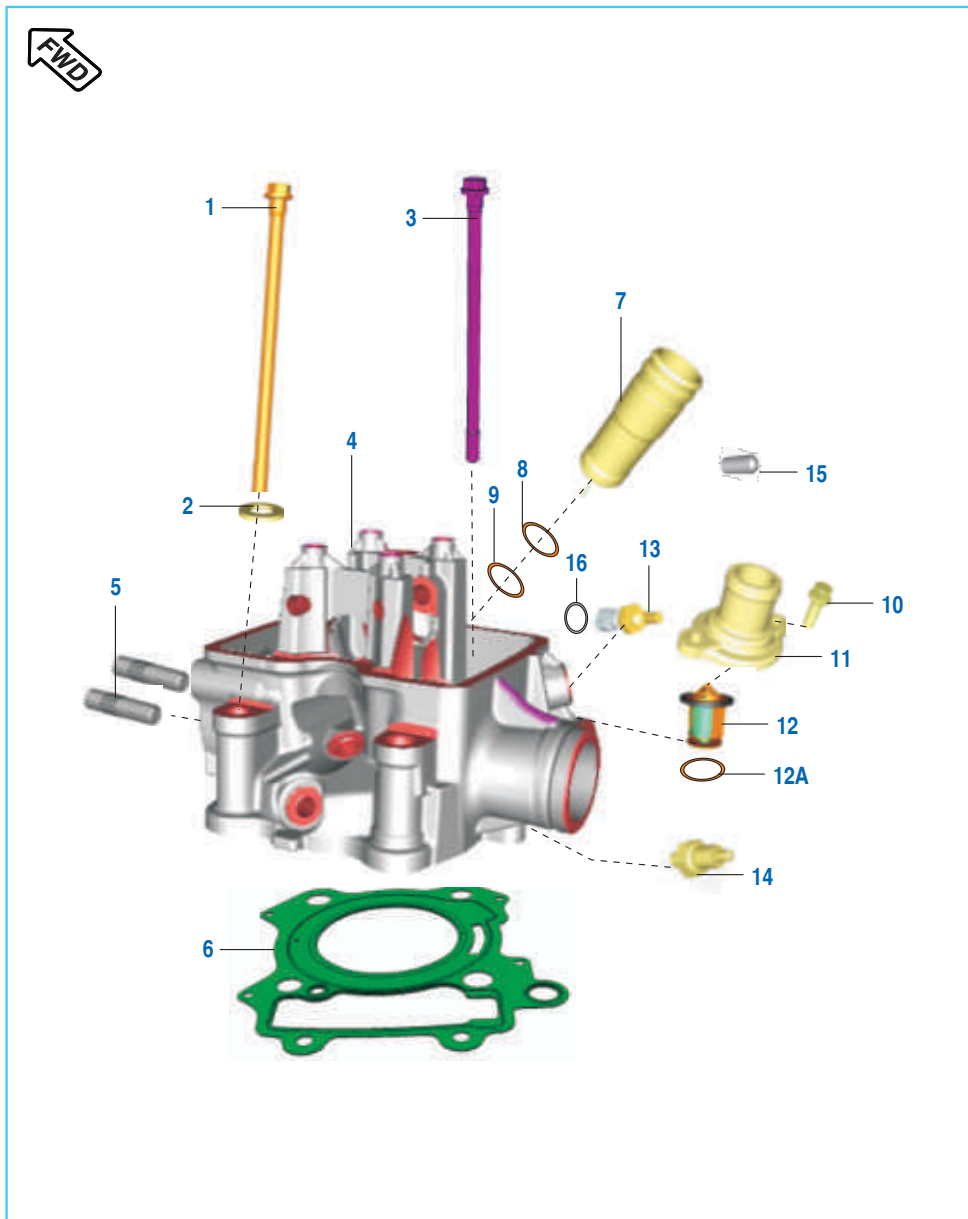
No.	Part No.	Description	Qty.		Remarks
			200 NS	200 AS	
1	JL 5110 02	Cover Cylinder Head	1	1	
2	JL 5110 01	Gasket Head Cover(Rubber)	1	1	
3	JG 5110 21	Washer	4	4	
4	JG 5110 22	Bolt Special	4	4	
5	LA D001 29	Bolt Flange	1	-	Model BS IV

SAI System



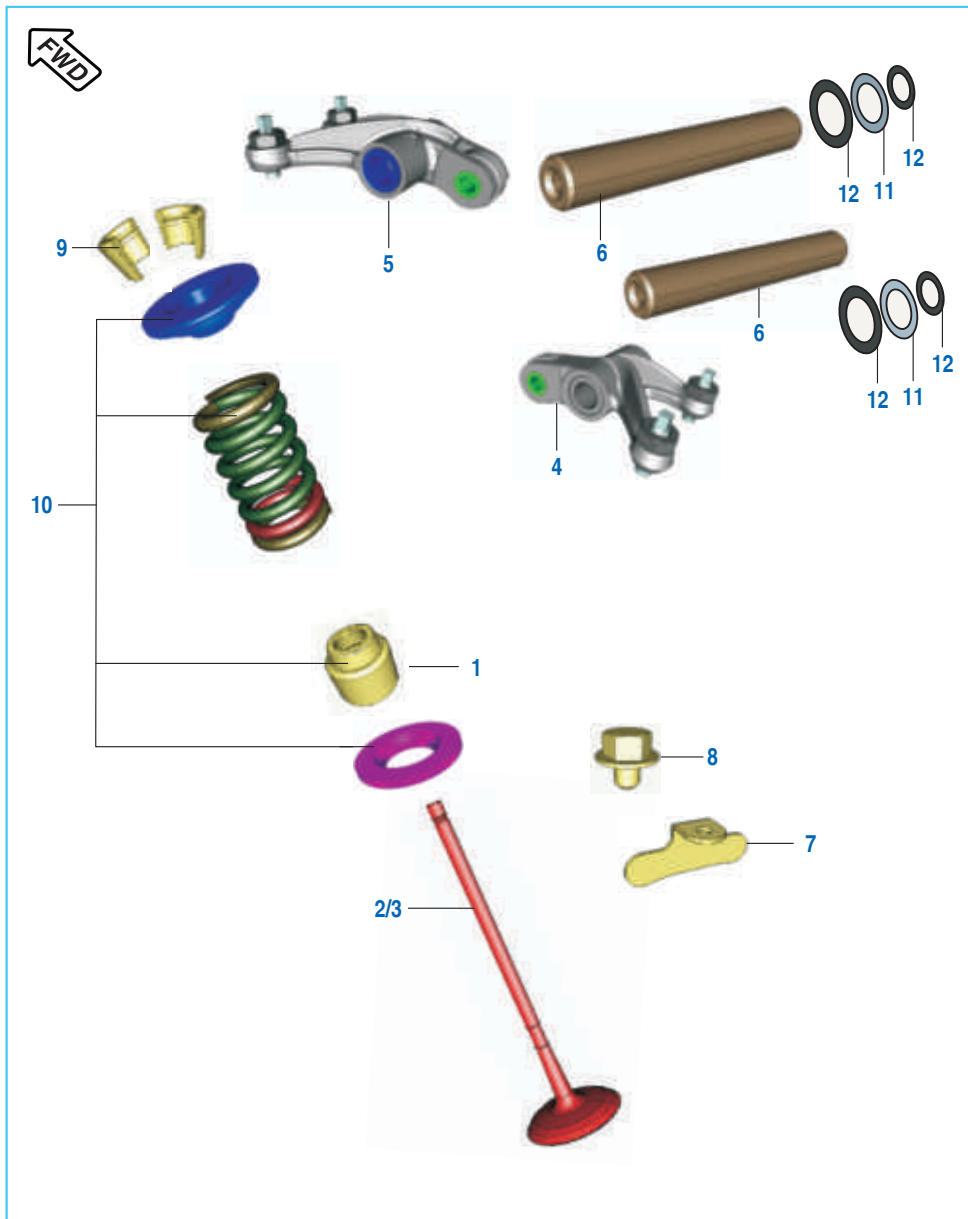
No.	Part No.	Description	Qty.		Remarks
			200 NS	200 AS	
1	JL 5110 58	Assly SAI Pipe With Hose & Clamp	1	-	Model BS IV
2	LA D000 77	Bolt Flanged M6 x 16	1	-	Model BS IV
3	JL 5110 61	Bracket For SAI Pipe	1	-	Model BS IV
4	KA DM05 08	Bolt Flanged	2	-	Model BS IV
5	PA 5810 38	Unit SAI	1	-	Model BS IV
6	JL 5824 02	Hose SAI Unit To Intake Manifold	1	-	Model BS IV
7	33 1410 08	Clamp	1	-	Model BS IV
8	AA 1410 67	Clip Swivel Spacer	1	-	Model BS IV
9	JL 5810 66	Clamp SAI Pipe	1	-	Model BS IV
10	JL 5110 58	Hose Sai Unit To Exhaust Port	1	-	Model BS IV
11	JL 5824 00	Hose SAI Unit To Airfilter	1	-	Model BS IV
12	JE 5810 39	Band Clip Sai Hose Outlet Tube	1	-	Model BS IV
13	JL 5810 65	Clamp Hose SAI	1	-	Model BS IV
14	JD 1138 14	Grommet Sai Unit	1	-	Model BS IV
15	JD 1138 15	Sleeve Sai Unit	1	-	Model BS IV
16	KA DF06 30	Bolt Flanged	1	-	Model BS IV
17	KC GF06 06	Nut Hex Flanged	1	-	Model BS IV
18	KA DD06 35	Bolt Flanged	2	-	Model BS IV
19	JL 1138 27	Bracket SAI Unit Mtg - Loose	1	-	Model BS IV
20	JL 5110 56	Copper Gasket	1	--	Model BS IV

Cylinder Head



No.	Part No.	Description	Qty.		Remarks
			200 NS	200 AS	
1	JG 5410 68	Hex Flange Head Bolt M10	4	4	
2	LD A000 08	Washer 11.2*20*2T	4	4	
3	JL 5110 09	M6 Stud Bolt	2	2	
4	36 JL00 10	Kit Asly Cylinder Head	1	1	Refer Page No. 108
	JL 5110 53	Assly Cylinder Head	1	--	Model BS IV
5	JG 5110 46	Stud (M8*1.25)	2	2	
6	JL 5110 22	Gasket Cylinder Head	1	1	
7	JL 5112 19	Sleeve Spark Plug	1	1	
8	39 2629 21	'O' Ring Sleeve	1	1	Top side
9	39 1283 21	'O' Ring Sleeve	1	1	Bottom side
10	39 1673 04	Bolt - Flange M6	2	--	
	KA EQ06 20	Bolt	--	2	
11	JL 5110 29	Cover Thermostat	1	1	
12	JL 6012 37	Thermostat Assembly	1	1	
12A	JL 6012 25	Seal Thermostat	1	1	
13	JG 3514 00	Coolant Water Temp Sensor	1	1	
14	DK 1012 25	Switch Oil Pressure	1	1	
15	39 2608 01	Grub Screw	1	1	
16	39 2699 20	'O' Ring Water Temp Sensor	1	1	

Valve



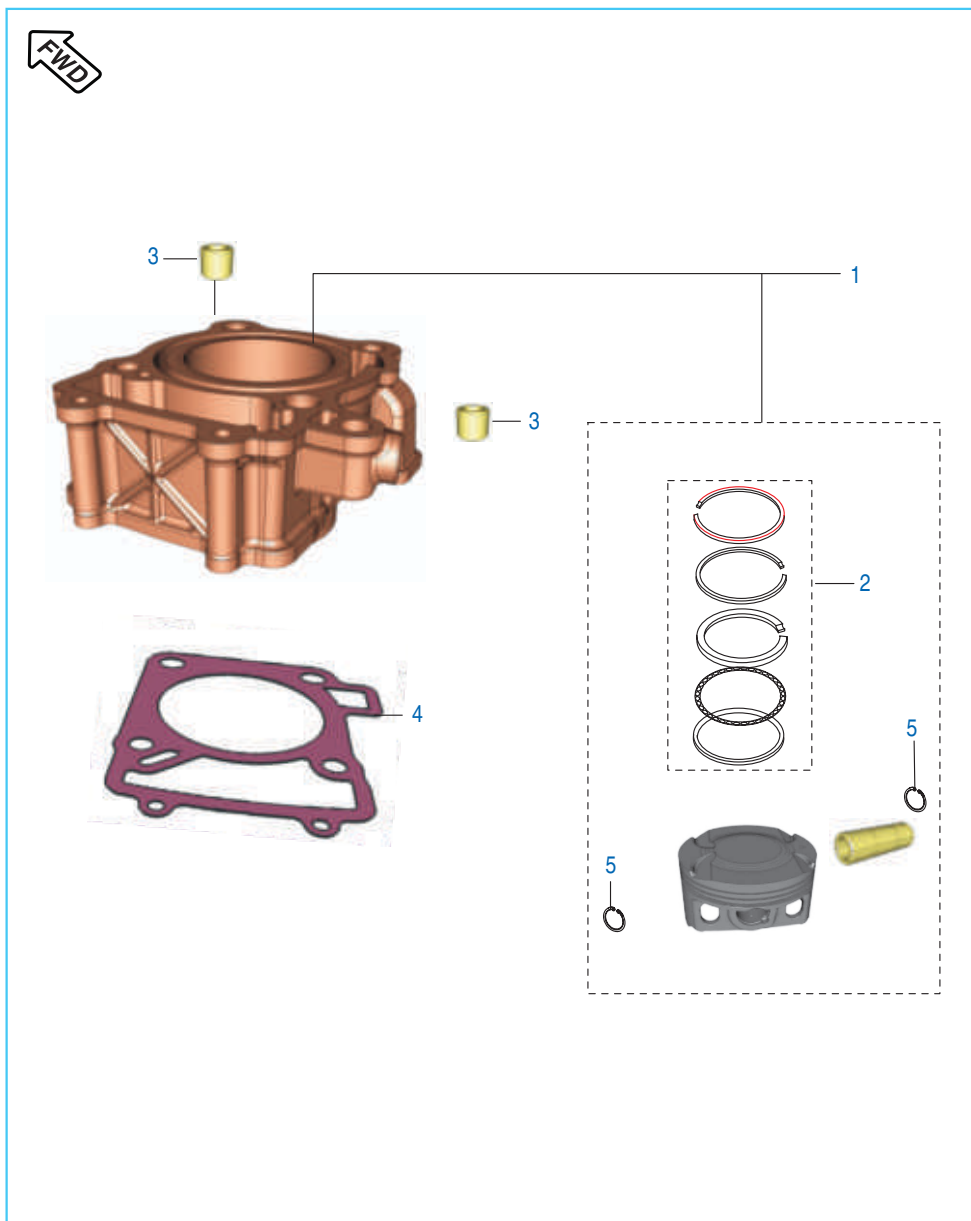
No.	Part No.	Description	Qty.		Remarks
			200 NS	200 AS	
1	39 2017 19	Seal - Oil	4	4	
2	JL 5110 10	Valve Intake	2	2	
3	JL 5110 11	Valve Exhaust	2	2	
4	DT 5112 61	Assly Rocker Arm Intake	1	1	Model BS IV
5	DT 5112 62	Assly Rocker Arm Exhaust	1	1	Model BS IV
6	JL 5112 05	Rocker Arm Shaft	2	2	
7	JF 5112 07	Plate Stopper Rocker Arm	1	1	
8	LA E000 16	Bolt Flanged M5X0.8X6L-Precoated	1	1	
9	DG 1010 29	Cotter Valve	8	8	
10	36 JL00 11	Valve Repair Kit	4	4	Refer Page No. 107
11	DH 1012 95	Wave Washer	2	2	D-54 dated 19/03/2013
12	39 2440 11	Plain Washer	4	4	D-54 dated 19/03/2013

Camshaft / Tensioner



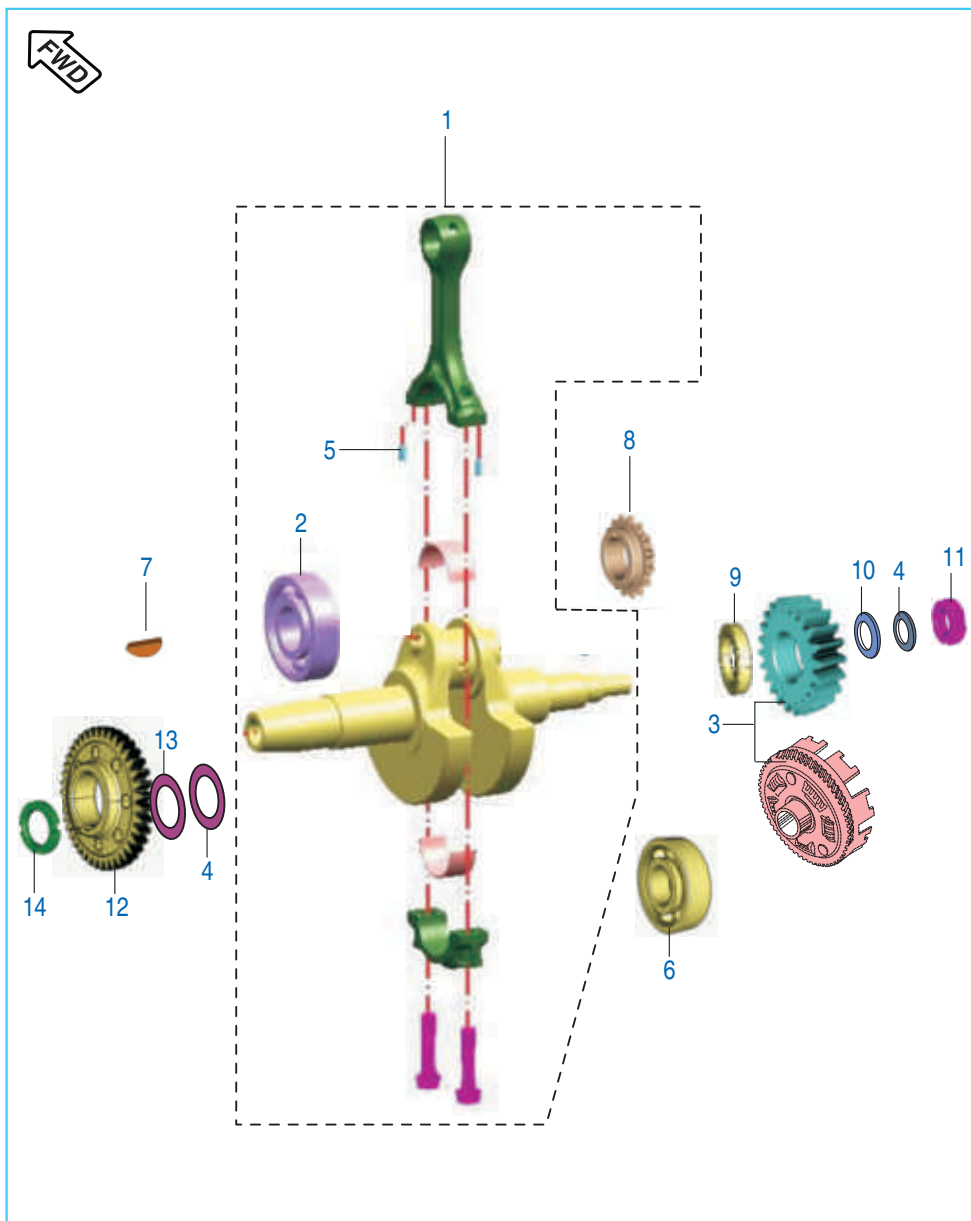
No.	Part No.	Description	Qty.		Remarks
			200 NS	200 AS	
1	JF 5112 28	Assembly Camshaft	1	1	
	DT 5112 39	Assembly Camshaft	1	-	Model BS IV
2	JG 5312 20	Bearing - Ball 6202/HN3	1	1	
3	AP 1012 36	Bearing - Ball 12 X 28 X 8	1	1	
4	LE B000 01	Circlip - Internal	1	1	
5	JL 5112 21	Spacer Camshaft	1	1	
6	JL 5112 20	Sprocket Camshaft	1	1	
	JL 5112 31	Sprocket Camshaft	1	-	Model BS IV
7	DU 1012 25	Bolt Special Flanged (Camshaft)	1	-	
	JG 5112 69	Bolt Special Flanged	1	1	Refer Serv. Cir. D-62
8	JL 5112 22	Timing Chain	1	1	
9	JC 1010 34	Tensioner Assembly	1	1	
10	39 2669 21	Ring - O (Tensioner Bolt)	1	1	N.I.
11	KA DQ06 20	Bolt Hexagonal	2	-	
	KA EQ06 20	Bolt Hexagonal	-	2	
12	CS 1011 28	Gasket	1	1	
13	JG 5112 70	Bolt Flanged M6X1X6L-Special	1	1	
14	DH 1013 92	Chain Guide Pivot Bolt	1	1	
15	36 JL00 01	Kit Cam Chain Guide	1	1	Refer Page No. 108
16	JL 5310 03	Plate Guide Chain Slack	1	-	Model BS IV

Cylinder and Piston



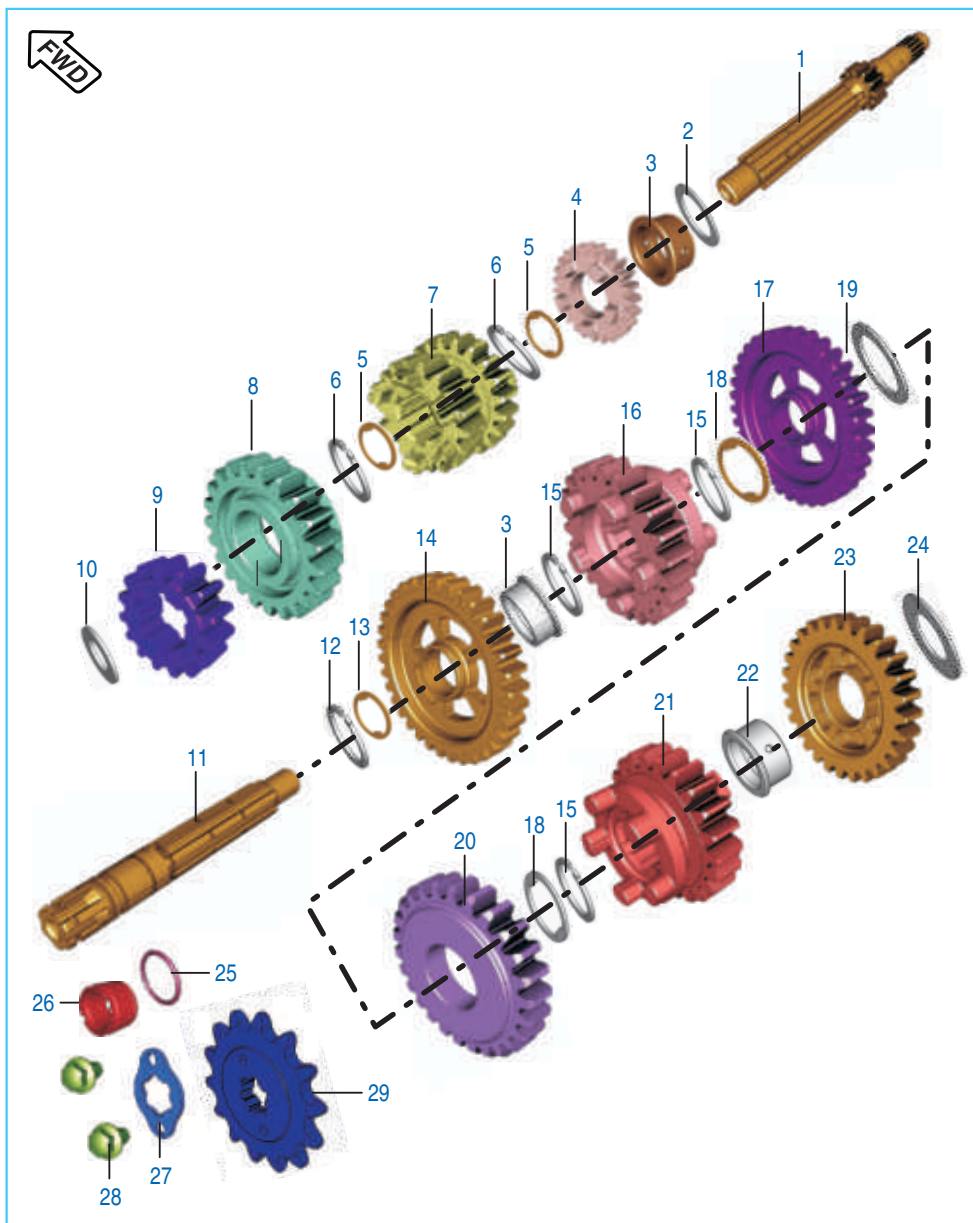
No.	Part No.	Description	Qty.		Remarks
			200 NS	200 AS	
1	36 JL00 07	Kit Asly Block Piston	1	1	Refer Page No. 108
2	36 JU00 01	Kit Piston Ring	1	1	Refer Page No. 108
3	39 2181 06	Pin - Hollow Dowel 14 X 20	2	2	
4	JL 5210 02	Gasket Cylinder Block	1	1	
5	39 2132 17	Ring - Snap	2	2	

Crankshaft



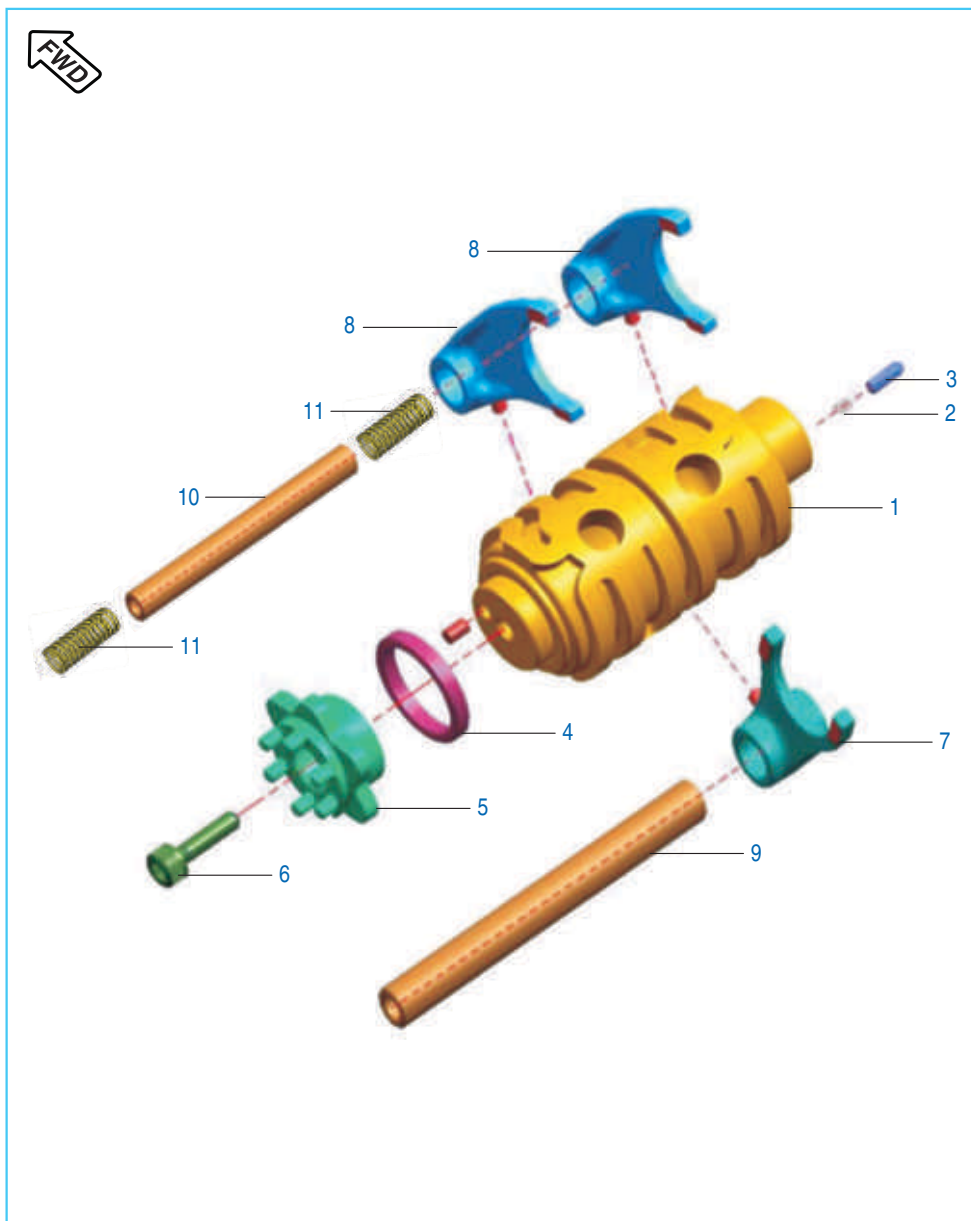
No.	Part No.	Description	Qty.		Remarks
			200 NS	200 AS	
1	36 JU00 36	Kit Crank Shaft Assembly	1	1	Refer Kit List
2	39 1931 20	Bearing - Ball 28 X 68 X 18	1	1	
3	36 JL00 05	Kit Pr Drive & Driven Gear	1	1	Refer Page No. 107
4	39 2165 11	Washer - Plain	2	2	
	LD B000 10	Washer - Plain	2	2	Refer Cir. D-58
5	39 2203 07	Pin - Parallel	2	2	
6	39 1931 20	Ball Bearing 28 X 68 X 18	1	1	
7	31 1011 73	Key-Woodruff Clutch Side	1	1	
8	JG 5310 27	Sprocket Crankshaft	1	1	
9	JG 5310 31	Spacer Crankshaft	1	1	
10	39 2200 11	Washer - Plain (Primary Drive Gear)	1	1	
11	LC D000 01	Nut Sprocket Drive Lock	1	1	
12	JG 5310 41	Balancer Drive Gear	1	1	
13	JG 5310 39	Belleville Washer	1	--	
	LD H000 02	Belleville Washer	1	1	
14	JG 5310 40	Nut Balancer Drive Lock	1	1	

Transmission



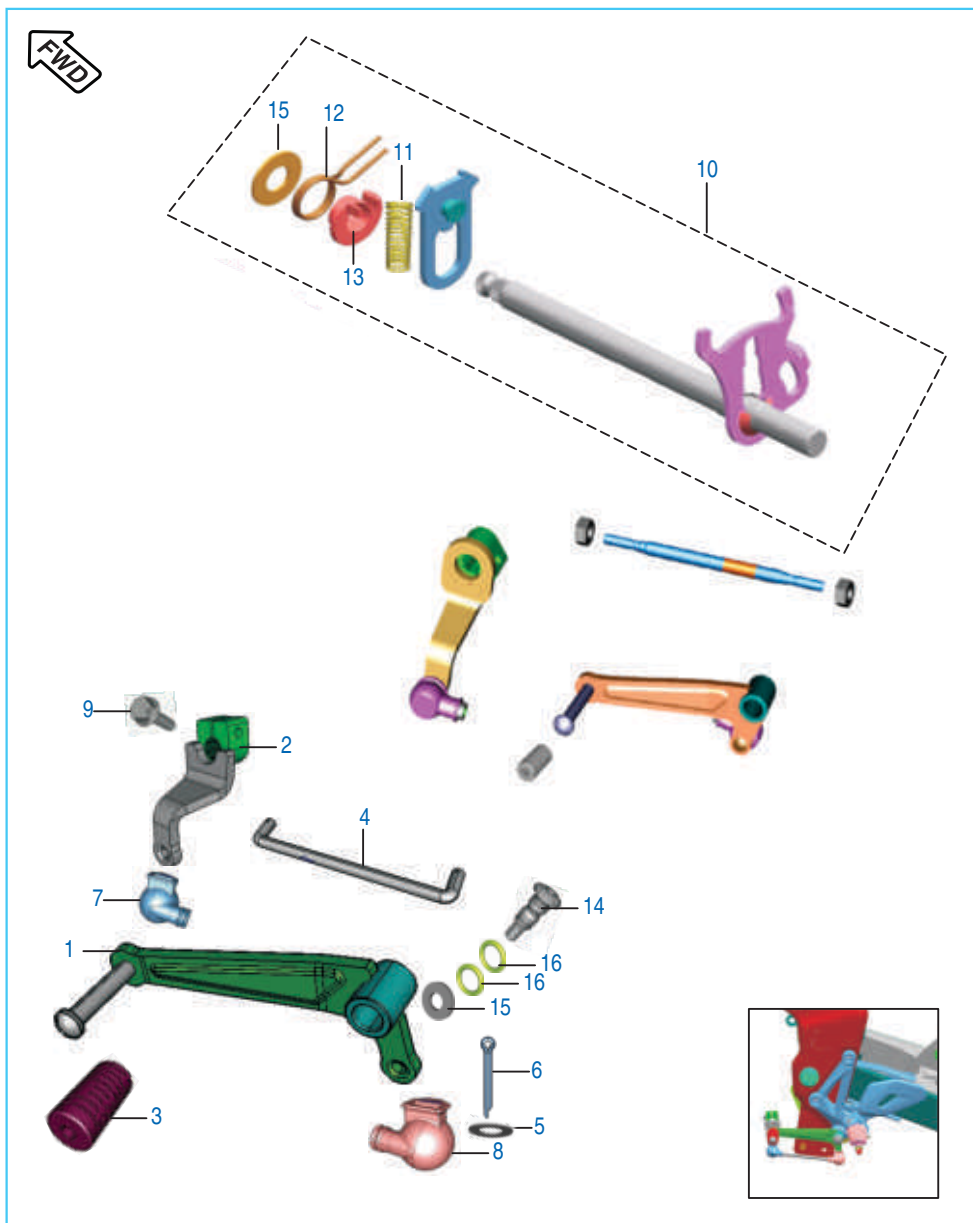
No.	Part No.	Description	Qty.		Remarks
			200 NS	200 AS	
1	JG 5510 27	Shaft Input T/M Comp	1	1	
2	39 2158 11	Washer - Plain	1	1	
3	JG 5510 13	Bush 6 th Drive/Bush 2 nd Driven	1	1	
4	JG 5512 13	Gear 6th Drive	1	1	
5	JG 5510 20	Washer Splined	2	2	
6	BF 5510 37	Ring - Snap	2	2	
7	JG 5512 14	Gear Drive Multiple 3&4	1	1	
8	JG 5512 20	Gear 5th Drive	1	1	
9	JG 5512 27	Gear 2nd Drive	1	1	
10	JG 5510 22	Washer - Plain	1	1	
11	JG 5510 25	Output Shaft Assy With Plug	1	1	
12	DH 1012 35	Circlip	1	1	
13	39 2166 11	Washer Special	1	1	
14	JG 5512 28	Gear 2nd Driven	1	1	
15	BF 5510 37	Ring - Snap	3	3	
16	JG 5512 22	Gear 5th Driven	1	1	
17	JG 5512 23	Gear 3rd Driven	1	1	
18	JG 5510 20	Spline Thrust Washer	2	2	
19	JG 5510 21	Lock Washer Splined Thrust	1	1	
20	JG 5512 15	Gear 4th Driven	1	1	
21	JG 5512 24	Gear 6th Driven	1	1	
22	JG 5510 00	Bush 1st Driven	1	1	
23	JG 5512 25	Gear 1st Driven	1	1	
24	39 2159 11	Washer - Plain	1	1	
25	DK 1013 52	O-Ring Sprocket Collar	1	1	
26	JG 5510 10	Collar Sprocket	1	1	
	JG 5510 31	Collar Sprocket	1	-	Model BS IV
27	DJ 1013 12	Plate Drive Sprocket	1	1	
28	LA E000 17	Bolt Flanged M6X1X10L	2	2	
29	DV 1010 48	Sprocket Output (14T)	1	1	

Change Drum / Shift Fork



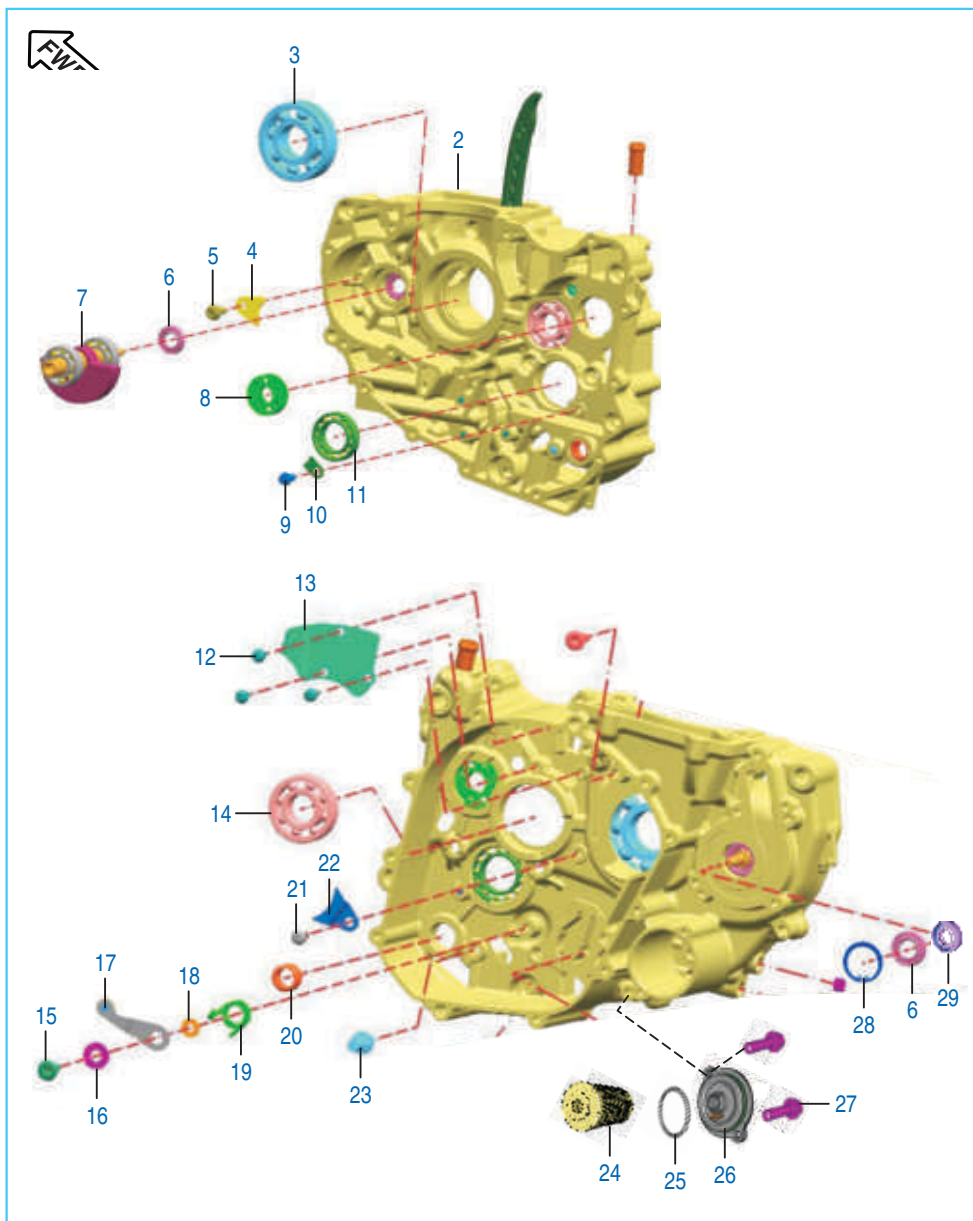
No.	Part No.	Description	Qty.		Remarks
			200 NS	200 AS	
1	JG 5610 11	Drum Complete Gear Shift	1	1	
2	EC 5610 23	Spring Gear Switch Indicator	1	1	
3	39 2606 07	Pin - Parallel	1	1	
4	JG 5610 10	Spacer-Guide Gear Shift	1	1	
5	JG 5612 22	Guide Gear Shift	1	1	
6	LA C000 24	Bolt Socket Head M6X1X20L	1	1	
7	JG 5610 12	Fork Gear Shift Input	1	1	
8	JG 5610 13	Fork Gear Shift Output	2	2	
9	JG 5610 16	Shaft Gear Shift Fork	2	2	
10	JG 5612 25	Shaft Gear Shift Fork Output	1	1	
11	JG 5612 15	Compression Spring	2	2	

Gear Change Mechanism



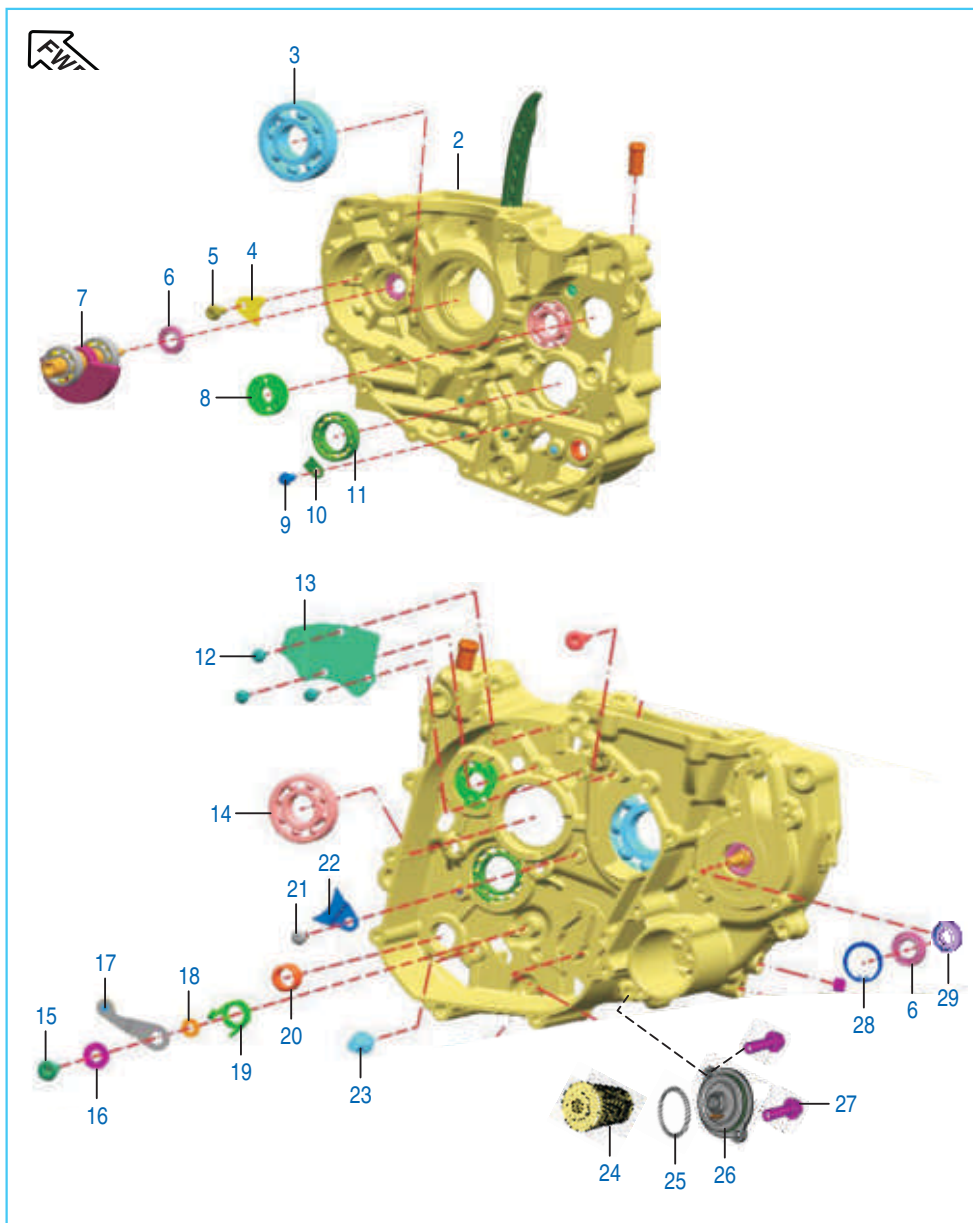
No.	Part No.	Description	Qty.		Remarks
			200 NS	200 AS	
1	JL 5614 01	Lever Complete Change	1	1	
	52 JL04 20	Assembly Change Lever Comp	1	-	Model BS IV
2	JL 5614 04	Assembly Lever Change Arm	1	1	
3	DH 1015 09	Damper	1	1	
4	JL 5614 05	Rod Tie	1	1	
	52 JF00 62	Assembly Tie Rod - With Nut	1	-	Model BS IV
5	JD 5614 16	Washer - Nylon	2	2	
6	39 0808 08	Pin - Split	2	2	
7	JL 5614 07	Boot -Change Arm	1	1	
	JL 5612 06	Assly Arm Change Ball Joint	1	-	Model BS IV
8	JL 5614 08	Boot -Change Lever	1	1	
	JL 5612 05	Assly Lever Shift Ball Joint	1	-	Model BS IV
9	39 2453 04	Bolt - Flange M6	1	1	
10	JG 5612 00	Lever Gear Shift Assy Comp.	1	--	
	DT 5612 06	Lever Gear Shift Assy Comp.	--	1	
11	JG 5612 15	Compression Spring	1	1	
12	JG 5612 18	Torsion Spring	1	--	
	JG 5612 32	Torsion Spring	--	1	
13	JG 5612 17	Bush-Torsion Spring	1	1	
14	JL 5614 09	Bolt Gear Change Lever	1	1	
15	JL 5614 10	Washer - Steel	1	1	
16	01 1100 05	'O' Ring	2	2	

Engine Assembly / Crankcase RH



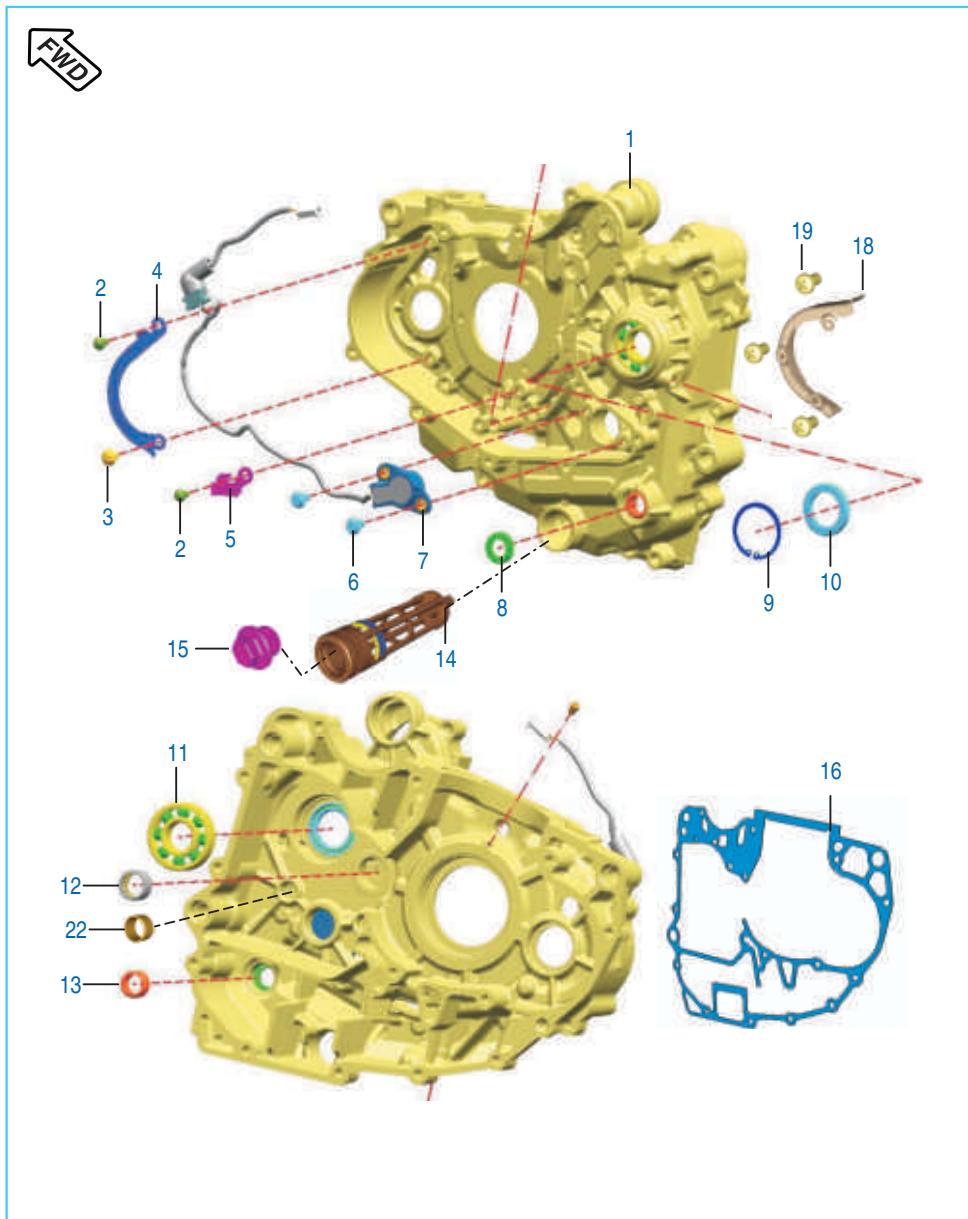
No.	Part No.	Description	Qty.		Remarks
			200 NS	200 AS	
1	JL 5010 03	Assembly Engine	1	--	N.I.
	JL 5010 63	Assembly Engine	1	-	Model BS IV
	JL 5010 40	Assembly Engine	--	1	
2	36 JL00 95	Kit Asly Crankcase RH New	1	1	Refer Page No. 108
	36 DT00 79	Kit Asly Crankcase RH New	1	--	Model BS IV
3	39 1931 20	Ball Bearing 28 X 68 X 18	1	1	
4	JG 5410 46	Balancer Bearing Stopper	1	1	
	JY 5410 47	Stopper I/P Shaft Bearing	1	-	Model BS IV
5	LA D000 77	Bolt Flanged M6x16	1	1	
6	JG 6010 07	Special Shaft Seal Ring (oil)	2	2	
7	JL 5312 05	Assembly Balancer Integral	1	1	Refer Circular D-55
8	39 2602 20	Bearing - Ball 6202/HN3	1	1	
9	AA 1014 37	Screw Precoated	1	1	
10	JG 5410 59	Plate Stopper Bearing Drum	1	1	
11	39 2601 20	Bearing Ball 61905 (25X42X9)	1	1	
12	LB B000 06	Screw Pan head	3	3	
13	JU 5410 05	Breather Plate	1	1	
14	59 2000 28	Bearing Ball RH	1	1	
15	JG 5612 04	Bolt Drum Stopper	1	1	
16	JG 5612 05	Washer	1	1	
17	JG 5610 09	Stopper Drum Complete	1	1	
18	39 2005 11	Washer	1	1	
19	JG 5612 26	Spring	1	1	
20	39 2562 20	Bearing - Needle Roller	1	1	

Engine Assembly / Crankcase RH



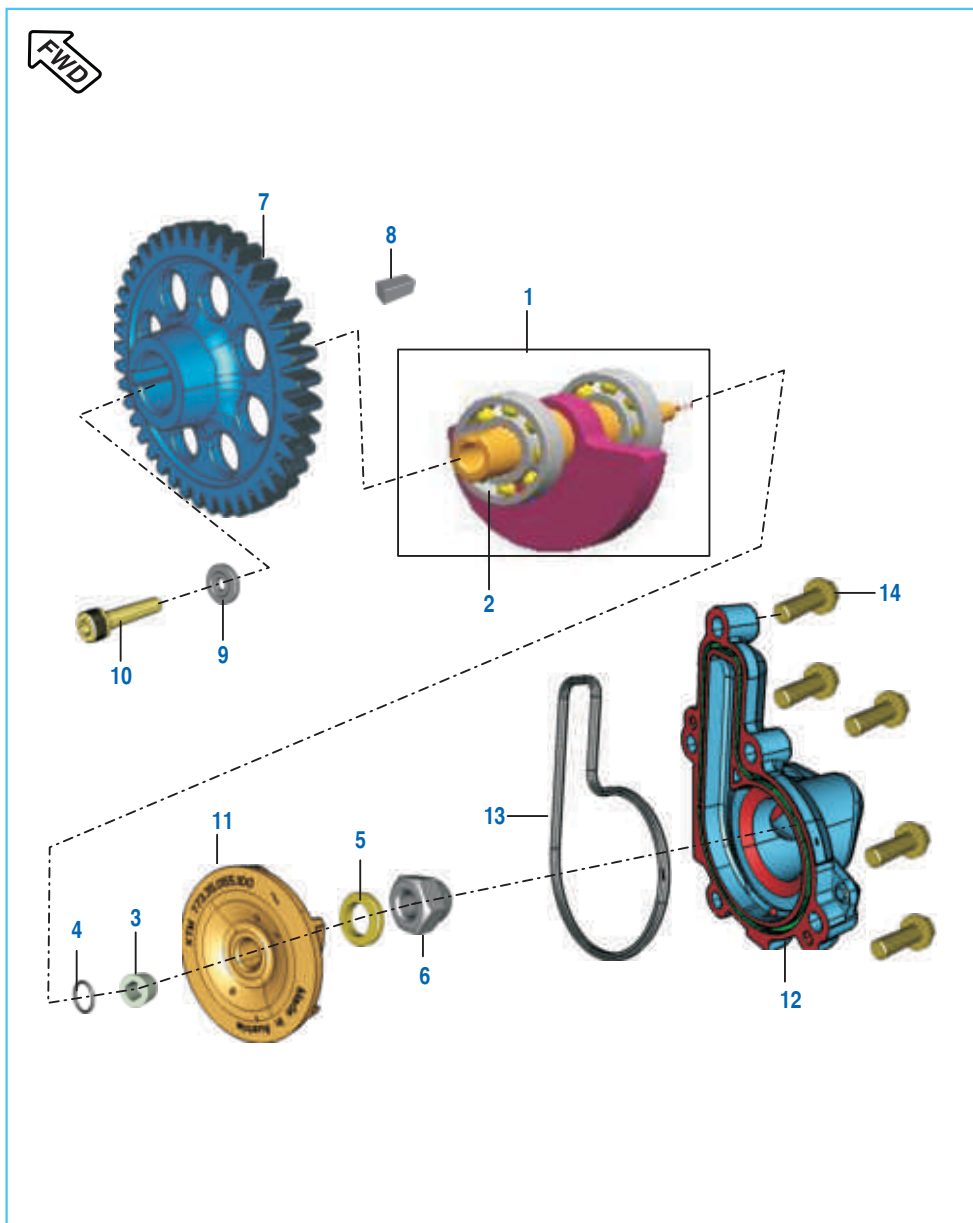
No.	Part No.	Description	Qty.		Remarks
			200 NS	200 AS	
21	39 0746 01	Screw Pan Cross - M6	1	1	
	LB B000 07	Screw Pan Cross M6	1	-	Model BS IV
22	JG 5410 45	Input Shaft Bearing Stopper	1	1	
23	DP 1011 91	Bolt Shifter	1	1	
24	JG 5710 14	Oil Filter	1	1	
25	JG 5710 16	O-Ring	1	1	
26	JE 5412 18	Cap Oil Filter	1	--	Ref. Ser. Cir. D-62
	JL 5710 01	Cap Oil Filter	1	-	Model BS IV
	JL 5412 37	Cap Oil Filter	--	1	
27	KA DP05 16	Hexagonal Flange Bolt	2	2	
	LA D000 63	Bolt Flanged	2	2	
	KA EQ06 16	Bolt Flange Small	2	-	Model BS IV
28	LE B000 01	Circlip Internal	1	1	
	39 0594 17	Internal Circlip	1	-	Model BS IV
29	JL 6010 10	Water Seal Double Lip	1	-	Model BS IV

Crankcase LH



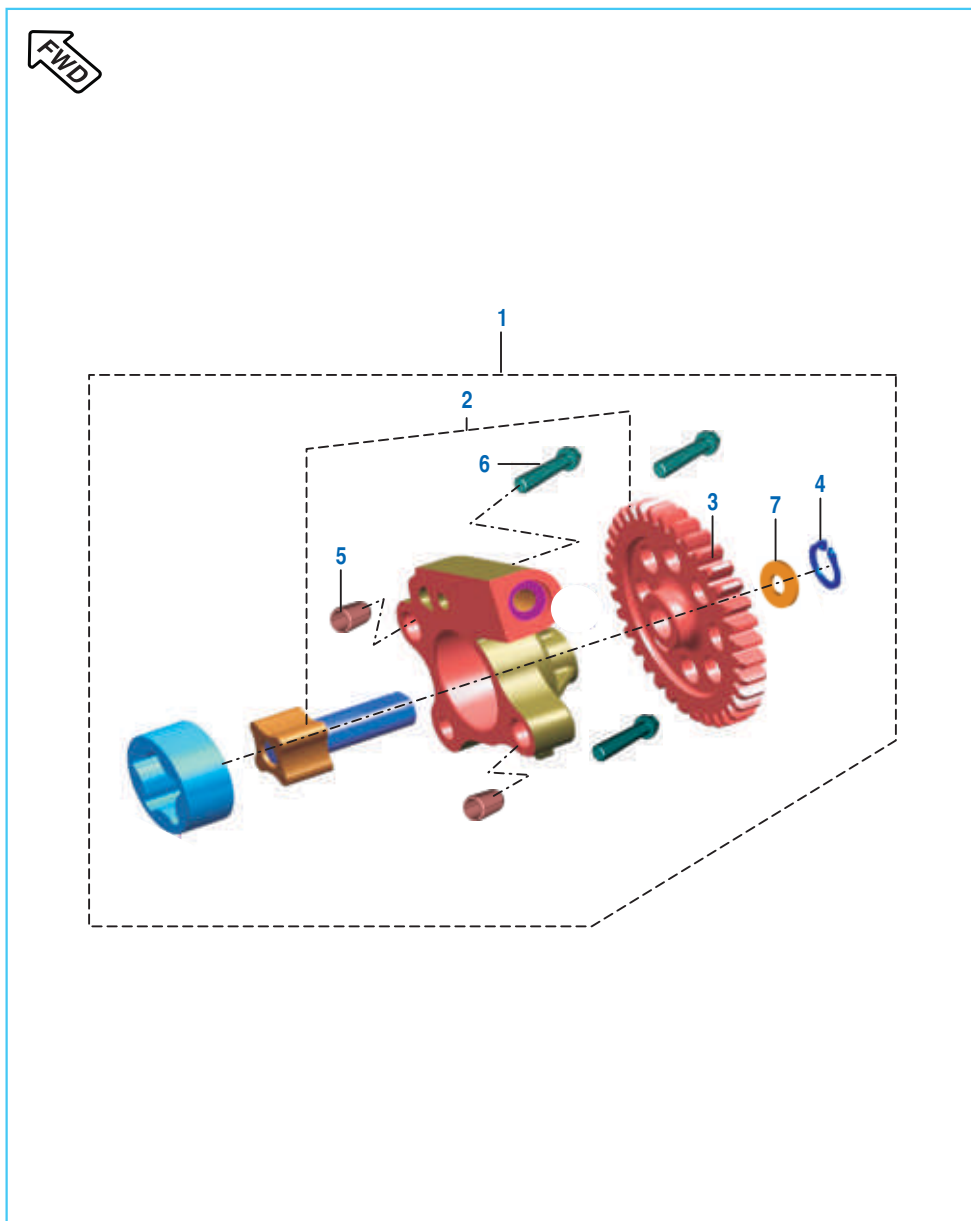
No.	Part No.	Description	Qty.		Remarks
			200 NS	200 AS	
1	36 JL00 94	Kit Assly. Crankcase LH	1	1	Refer Page No. 107 Model BS IV onward
	36 DT00 80	Kit Assly. Crankcase LH	1	--	
2	LA E000 14	Bolt Flanged	2	2	Model BS IV
	DH 1013 83	Bolt Flanged	2	--	
3	DH 1013 81	Pre Coated pan Screw	1	1	Model BS IV
	LB B000 07	Screw Pan Cross	1	--	
4	JG 5410 63	Bracket Harness Upper	1	1	
	JU 5410 18	Bracket Harness Upper	1	--	Model BS IV
5	JG 5410 44	Bracket Harness Lower	1	1	
6	39 1773 04	Bolt M-5 x 16	2	2	Gear Change lever Output Shaft Output Shaft Model BS IV
7	JL 3518 00	Neutral Indicator Switch	1	1	
8	39 1043 19	Seal Oil	1	1	
9	KE BA37 15	Circlip Internal	1	1	
10	DG 1014 56	Seal Oil	1	1	
	JY 5410 58	Oil Seal Output Shaft	1	--	
11	59 2000 06	Bearing Ball	1	1	
12	JG 5410 15	Needle Bearing	1	1	
13	39 2562 20	Needle Bearing	1	1	
	BF 5610 20	Bearing Plain	1	--	
14	JG 5710 24	Mesh Oil Filter Assly (Strainer)	1	--	
	JY 5710 30	Mesh Strainer Assly	--	1	
14A	LJ A000 04	'O' Ring Strainer	1	1	
15	JA 5410 48	Strainer Cap with 'O' Ring	1	1	
16	JG 5410 41	Gasket Crankcase	1	1	Refer Page No. 107
17	36 JL00 14	Kit Engine Gasket	1	1	
18	JG 5410 58	Chain Guard	1	1	D-52 dated 11/02/2013
19	KB BG06 12	Pan Head Screw	3	3	
	LB B000 07	Screw Pan Cross	3	--	
20	KA EQ06 40	Bolt Flanged L-40	10	10	C'case joining
21	LA D000 81	Bolt Flanged L-60	4	4	C'case joining Model BS IV
22	BF 5610 20	Bearing Plain	1	--	

Balancer Idler Gear / Water Pump



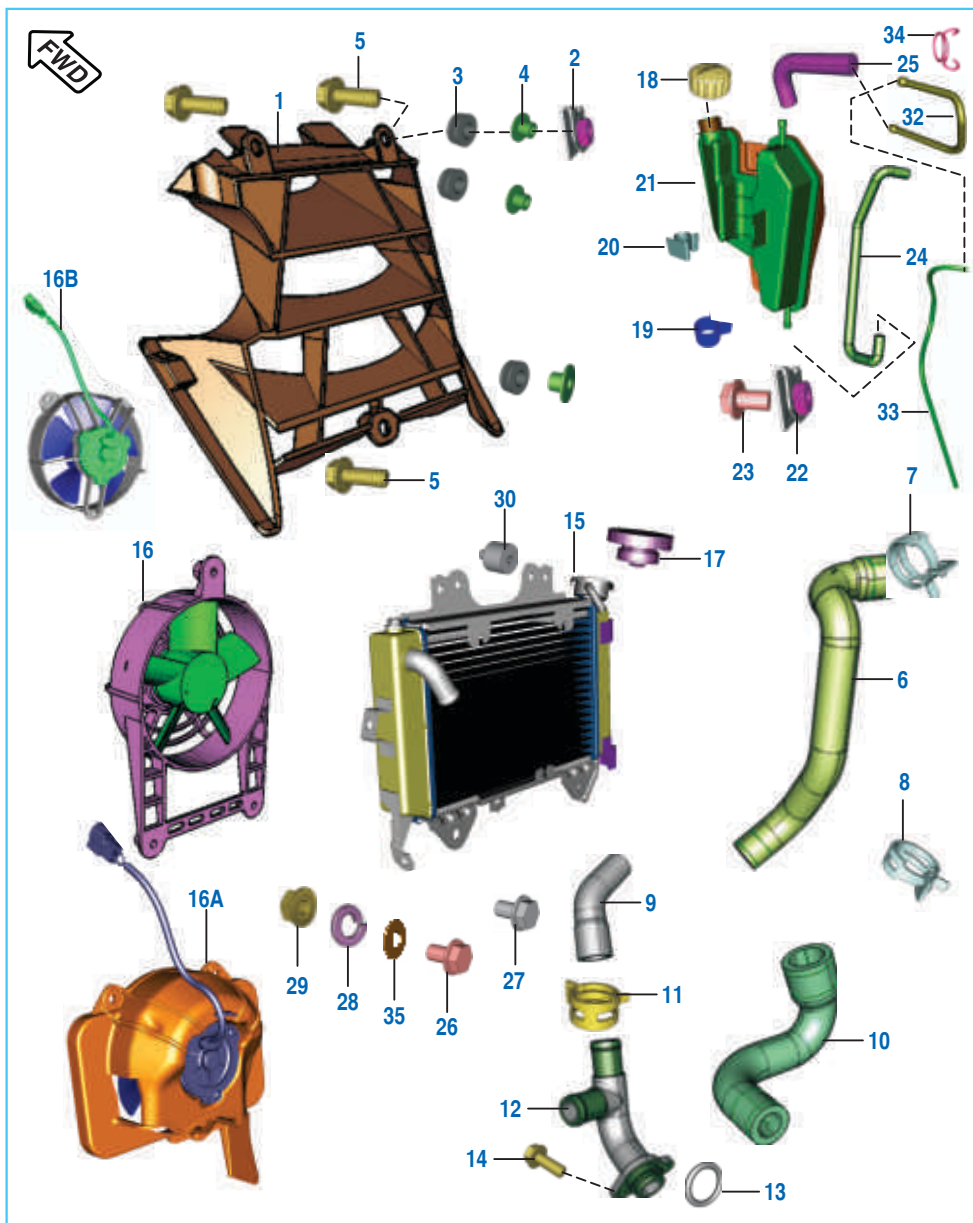
No.	Part No.	Description	Qty.		Remarks
			200 NS	200 AS	
1	JU 5312 13	Balancer Assy	1	-	
	JL 5312 05	Assembly Balancer Integral	1	-	Model BS IV
	JU 5312 15	Balancer Assy	--	1	
2	59 2000 36	Balancer Bearing	2	2	(6203/HN3C3D8)
	JG 5312 11	Sleeve Balancer Driven	1	--	
3	JG 5312 28	Sleeve Balancer Driven	--	1	
	JG 5312 12	O Ring Balancer Driven	1	1	
4	JG 5312 29	O Ring Balancer Driven	--	1	
	JG 5312 15	Washer (2.5MM)	1	1	
6	JG 6010 05	Dome Nut	1	1	
7	JG 5312 07	Gear Balancer Driven	1	1	
8	DS 1011 54	Key	1	1	
9	DH 1010 48	Washer - Special Camshaft	1	1	
	LD B000 51	Washer Plain	1	-	Model BS IV
10	DK 1013 86	Pre-coated Soc Hd Cap Bolt	1	1	M8X40
	LA C000 86	Bolt Socket	1	-	Model BS IV
11	36 JL00 39	Kit Water Pump Rotor & Seal	1	1	
12	JG 6010 11	Cover Water Pump	1	--	
	JL 6010 05	Cover Water Pump	1	1	
13	JG 6010 12	O-Ring (Water Pump Cover)	1	1	
14	KA DQ06 20	Bolt Hexagonal	5	--	
	KA EQ06 20	Bolt Flanged	--	5	
15	39 1665 11	Washer - Seal	1	1	N.I.
16	39 2606 07	Pin - Parallel	2	2	N.I.

Oil Pump



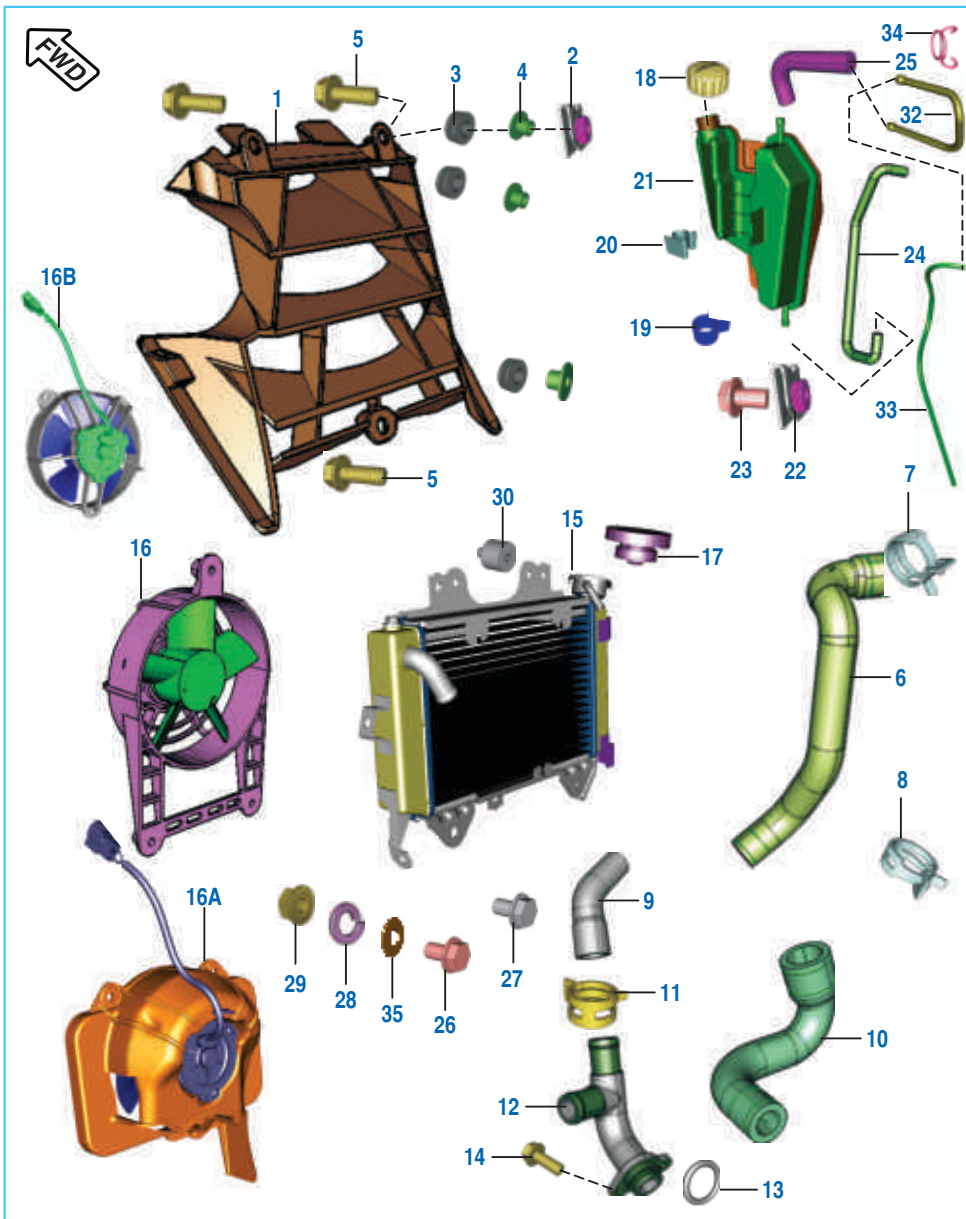
No.	Part No.	Description	Qty.		Remarks
			200 NS	200 AS	
1	JU 5710 00	Oil Pump Assy Comp	1	1	
2	36 JG00 04	Shaft Oil Pump Assy	1	1	
3	JG 5710 18	Gear Oil Pump Drive	1	1	
4	KE AA11 10	Circlip	1	--	
	KE AB10 10	Circlip	--	1	
5	39 0999 06	Pin - Hollow Dowel	2	2	
6	LA E000 18	Bolt Flanged M6X1X30L	3	3	
7	JG 5090 03	Washer Plain	1	-	Model BS IV

Radiator



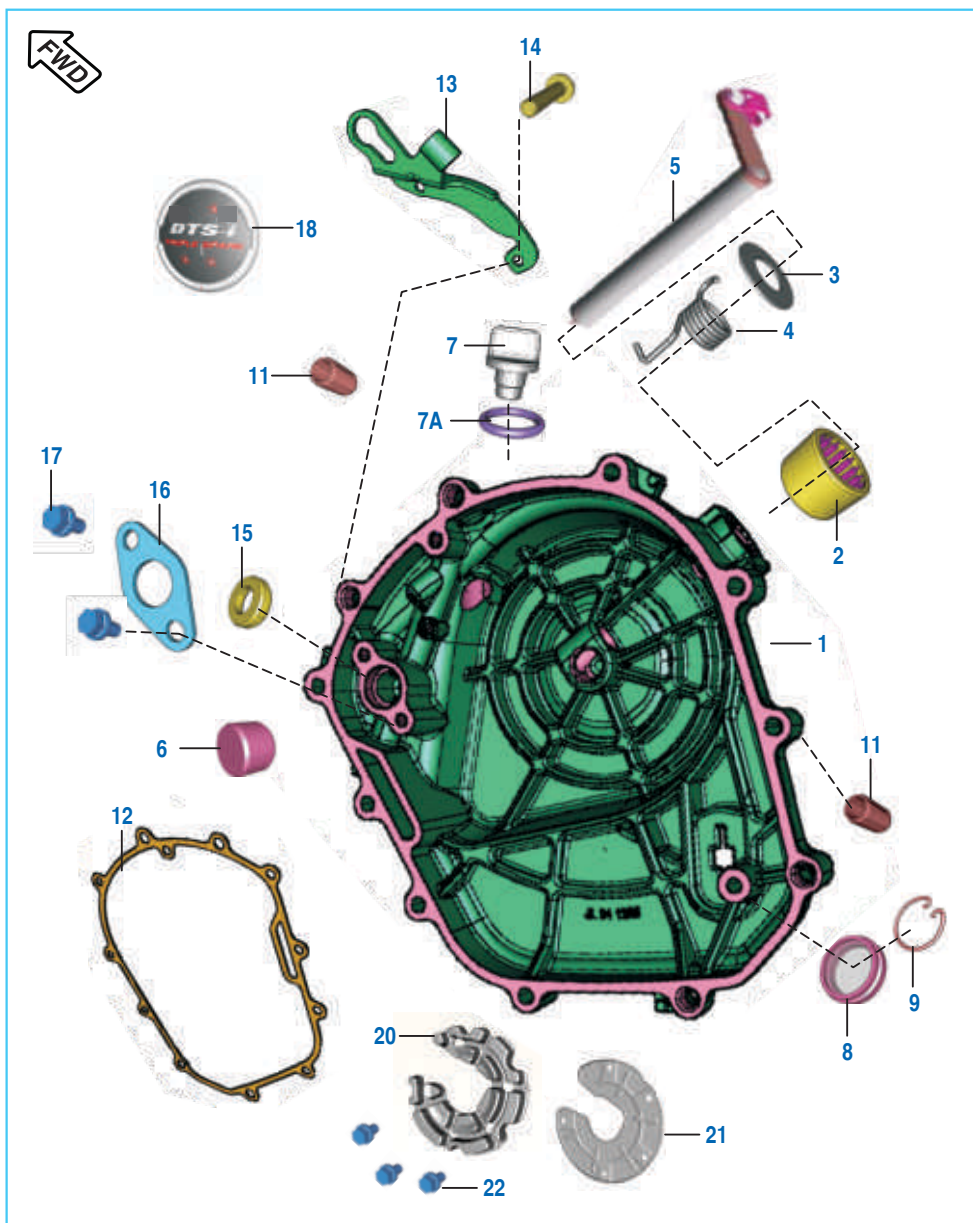
No.	Part No.	Description	Qty.		Remarks
			200 NS	200 AS	
1	JL 6012 10	Cowl Radiator	1	--	
	JL 1814 40	Cowl Radiator	--	1	
2	DJ 1810 65	Nut - Clip M6	3	3	
3	JL 1812 56	Grommet For Radiator Cowl	3	3	
4	JW 1710 15	Collar Spoiler Central	3	3	
	JL 6012 31	Sleeve	3	3	Refer Cir. D-58
5	39 1944 04	Bolt - Flange	3	3	
6	JL 6010 00	Hose Thermostat To Radiator	1	1	
7	JG 6012 21	Clamp Radiator Pipe	1	1	
8	JG 6012 09	Clamp Radiator Pipe Dia 19.8	2	2	
	JG 6012 34	Clamp Dia 23	2	2	Ref Ser. Cir. D-62
9	JL 6012 20	Coolant Hose Radiator To T	1	--	
	JL 6012 09	Coolant Hose Radiator To T	1	--	
10	JL 6012 20	Hose Coolant	1	1	(Rad To CO Pump)
	JL 6012 19	Hose By Pass To Pump	1	--	
11	JL 6012 19	Hose Coolant	1	1	(Block To CO Pump)
	JL 6012 12	Clamp Radiator Dia 19	1	1	
12	JL 6012 21	Clamp Dia 29	2	2	From 26.12.2012
	JL 6012 28	Pipe Coolant "T" Assembly	1	1	From 26.12.2012
13	JG 6012 21	O-Ring Coolant Pipe	1	1	
14	LJ A000 05	Pipe Coolant "T" O-ring	1	--	Model BS IV
	39 2204 04	Bolt - Hexagon Head With M6	2	--	
15	LA E000 41	Bolt Flange	2	--	Model BS IV
	LA D000 82	Bolt Flanged	2	2	Ref Ser. Cir. D-62
16	JL 6012 00	Radiator	1	--	
	JL 6012 34	Radiator Core W/o Fan	--	1	
16	JG 6012 37	Radiator Fan	1	--	

Radiator



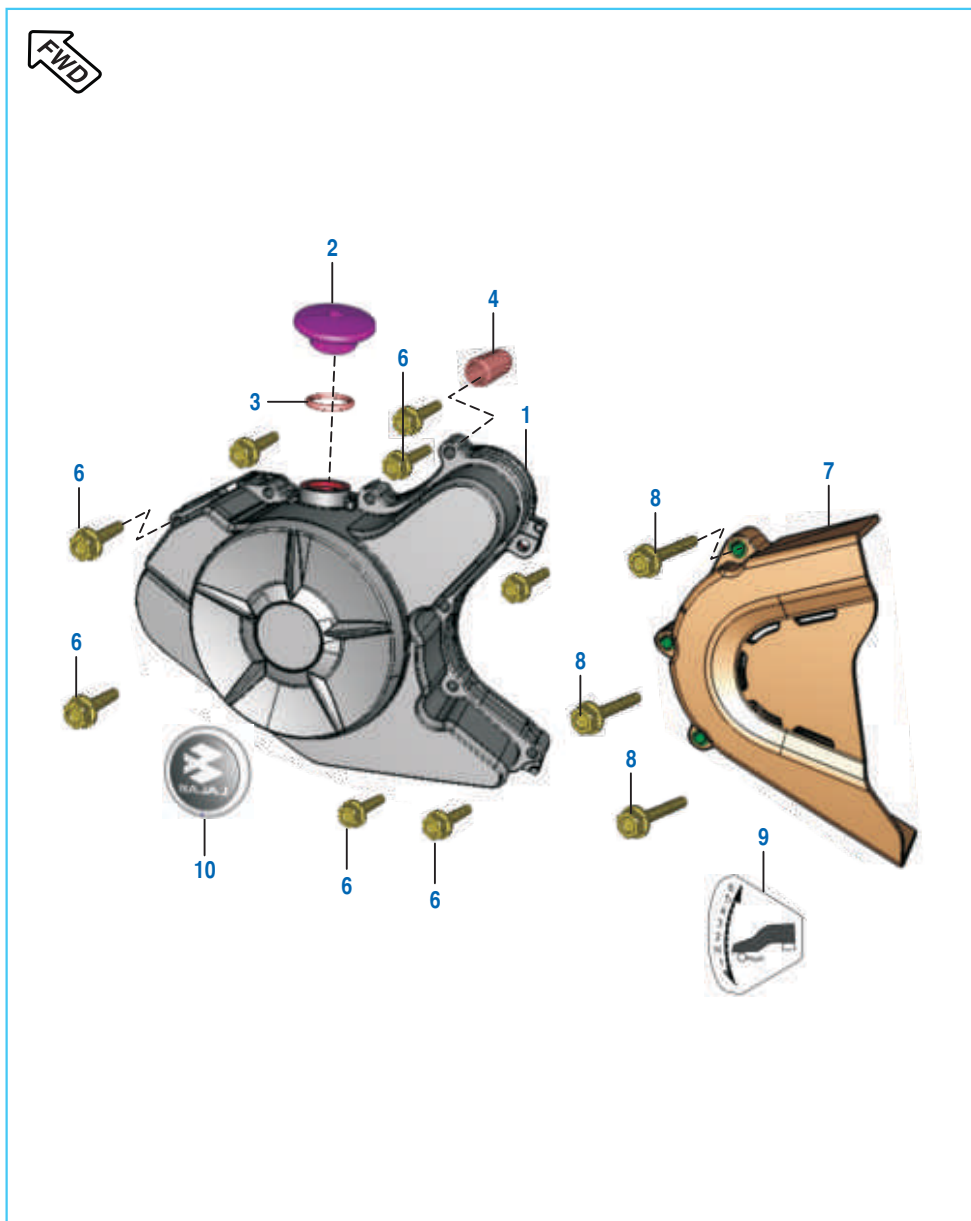
No.	Part No.	Description	Qty.		Remarks
			200 NS	200 AS	
16A	JY 6012 35	Fan Assly	--	1	
16B	JG 6012 37	Fan Radiator	1	--	Model BS IV
17	JG 6012 29	Pressure Cap Radiator	1	--	
	JG 6012 35	Pressure Cap Radiator	1	1	D-53 dated 19/02/2013
18	JG 6012 11	Cap Expansion Tank	1	1	
19	JL 6012 15	Clamp -Expansion Tank	2	2	
20	JG 1710 29	Spring Band Clip 10 Mm	3	3	
21	JL 6012 09	Tank Expansion	1	1	
	JL 6012 35	Assembly Tank Expansion	1	1	Refer Ser Cir - 2014_04
22	DJ 1810 65	Nut - Clip M6	2	2	
23	39 1944 04	Bolt - Flanged	2	2	
24	JL 6012 13	Hose -Expansion Tank	1	--	
	JL 6012 27	Hose -Expansion Tank	1	1	D-53 dated 19/02/2013
25	JL 6012 14	Hose -Expansion Tank Top	1	--	
	JG 6012 13	Tube Drain Hose -Ex Tank	1	1	Refer Ser Cir - 2014_04
26	LA D000 40	Bolt Flanged M6 - 6L	3	3	
27	39 1551 04	Bolt - Flange	1	1	
28	39 0732 12	Washer - Spring	4	4	
	KD DB06 12	Washer Spring Thin	4	--	Model BS IV
29	39 2711 15	Nut - Flange M6 X 1P	4	4	
30	JG 5810 14	Silent Block	4	4	
	JL 6012 16	Rubber Damper Radiator Mtg.	2	--	Model BS IV
31	JG 6012 30	Expansion Tank O-ring	1	1	For Cap
32	JL 6012 18	Tube Expan. Tank Breth.Conn.	1	--	
33	JL 6012 17	Hose Expansion Tank Breather	1	--	Model BS IV
34	BA 1220 03	Pipe Clip	2	--	Model BS IV
35	39 2704 11	Washer	4	--	Model BS IV

Cover Clutch



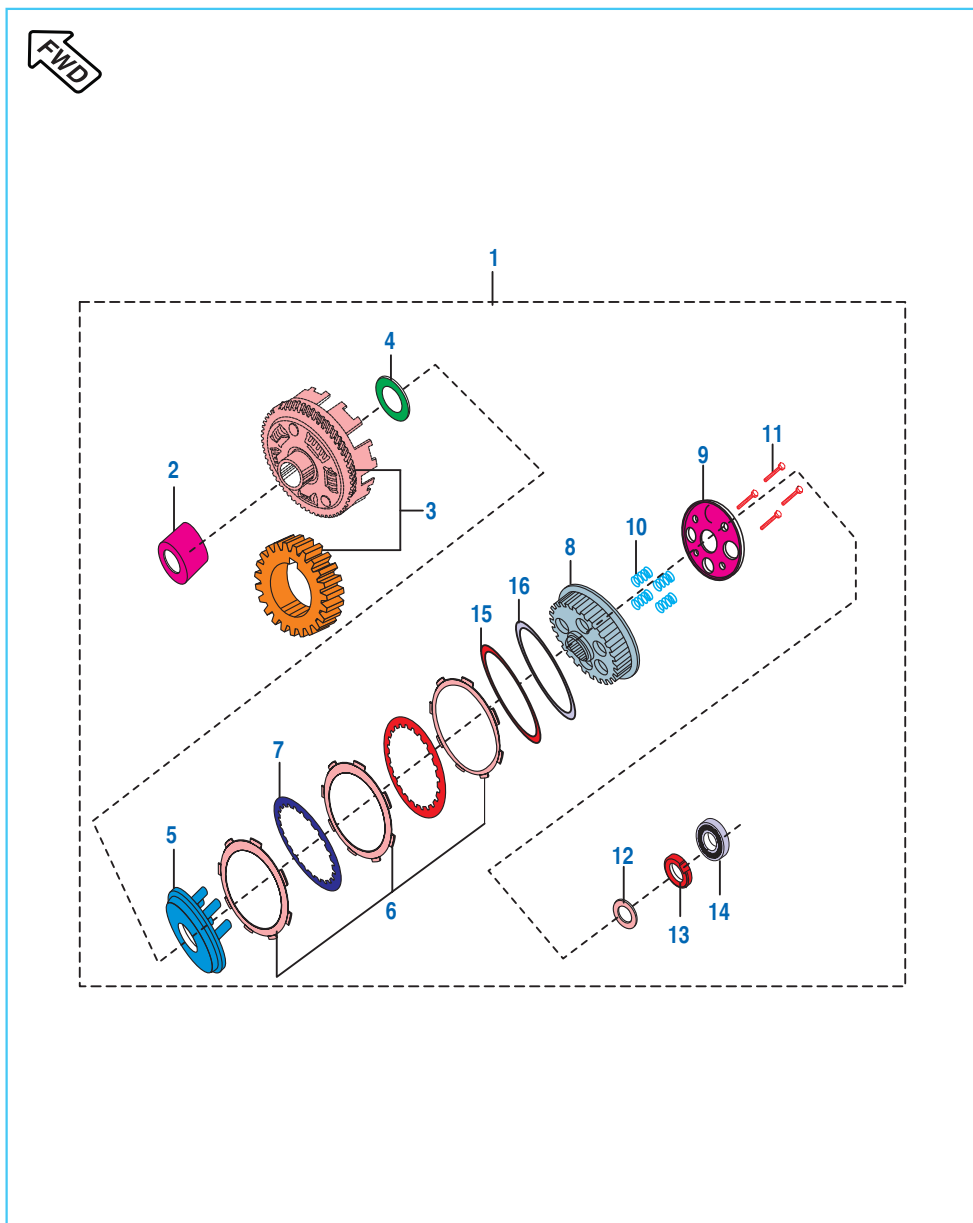
No.	Part No.	Description	Qty.		Remarks
			200 NS	200 AS	
1	52 JL00 73	Clutch Cover Assly Complete	1	--	In place of 36JL0002
	36 JL00 46	Kit Assly Clutch Cover	1	--	
	DT 5412 12	Assly CI Cover	--	1	Model BS IV
	52 JL08 92	Assly CI Cover	1	--	
	39 1990 20	Bearing - Needle	1	1	
3	LD B000 20	Washer 12.5X24X0.8T	1	1	
4	JG 5510 17	Spring	1	1	
5	JG 5510 15	Shaft Clutch Release Assy	1	--	
	DT 5410 19	Shaft Clutch Release Assy	--	1	
6	JU 5514 01	Rod Push	1	1	
7	JG 5412 30	Cap Oil Filling	1	1	
7A	39 1537 21	Ring 'O'	1	1	
8	DG 1014 18	Gauge	1	--	
9	JL 5412 27	Window Oil Gauge	1	1	Ref Ser. Cir. D-62
	DS 1012 15	Clip - Wire	1	--	
10	DH 1021 17	Clip - Wire	--	1	N.I.
	39 1041 19	Seal - Oil	1	1	
11	39 0999 06	Pin - Hollow Dowel	2	2	
12	JL 5412 07	Gasket Clutch Cover	1	1	
13	JL 5412 10	Bracket Clutch Cable	1	--	
	JL 5412 46	Bracket Clutch Cable	--	1	
14	KA DQ06 30	Bolt Flanged	11	--	
	KA EQ06 30	Bolt Flanged	--	11	
15	39 1046 19	Seal - Oil	1	1	
16	JG 5412 31	Plate -position	1	1	
17	AA 1014 37	Screw Pre-Coated	2	2	
18	JL 5412 22	Decal Triple Spark	1	1	
19	JL 5412 18	Jet Oil Clutch Cover	1	1	N.I.
20	JL 5412 30	Damper Clutch Cover	1	1	Ref. Serv. Cir. D-59
21	JL 5412 31	Plate Damper Clutch Cover	1	1	Ref. Serv. Cir. D-59
22	DH 1013 88	Bolt Flange	5	5	Ref. Serv. Cir. D-59

Cover Magneto



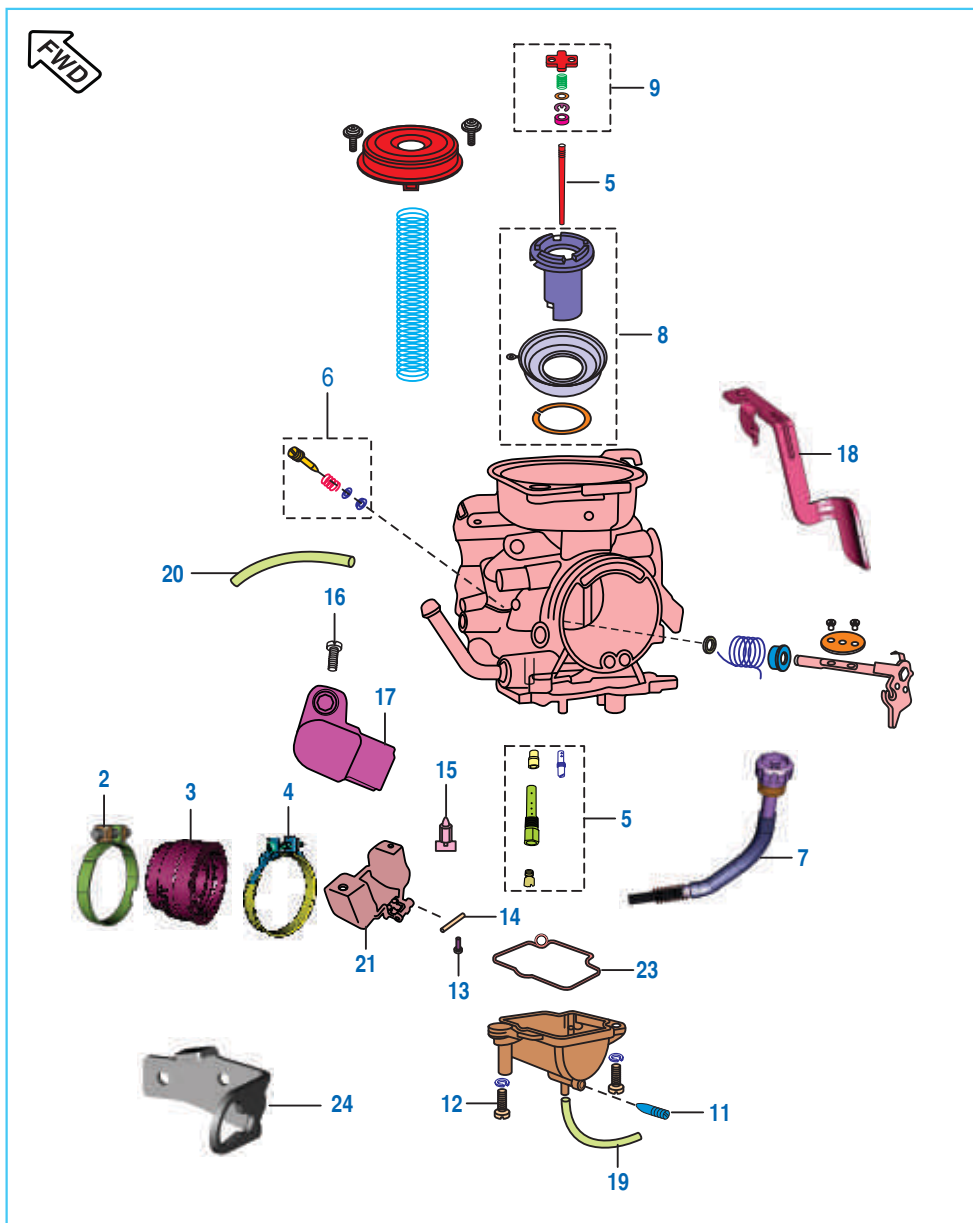
No.	Part No.	Description	Qty.		Remarks
			200 NS	200 AS	
1	JL 5412 44	Cover Magneto	1	-	
	JL 5412 43	Magneto Cover	1	1	
	56 JL1W 3V	Cover Magneto	1	-	Slate Gray Colour
2	JA 5412 33	Cap TDC Finder	1	1	
	JL 5412 45	Cap TDC Finder	1	-	Model BS IV
3	30 1011 95	Ring - O	1	1	
4	39 0999 06	Pin - Hollow Dowel	2	2	
5	JL 5412 08	Gasket Magneto Cover	1	1	
6	KA DQ06 30	Bolt Flanged	9	-	
	KA EQ06 30	Bolt Flanged	-	9	
7	JL 5412 03	Cover LH RR	1	1	
8	KA DQ06 45	Hex Headed Bolt Flange	3	3	
	KA EQ06 45	Bolt Flange Small	1	-	Model BS IV
9	JL 2330 15	Gear Shift Label-6 Speed	1	1	
10	JL 5412 23	Decal 'Bajaj logo'	1	1	

Clutch Assly



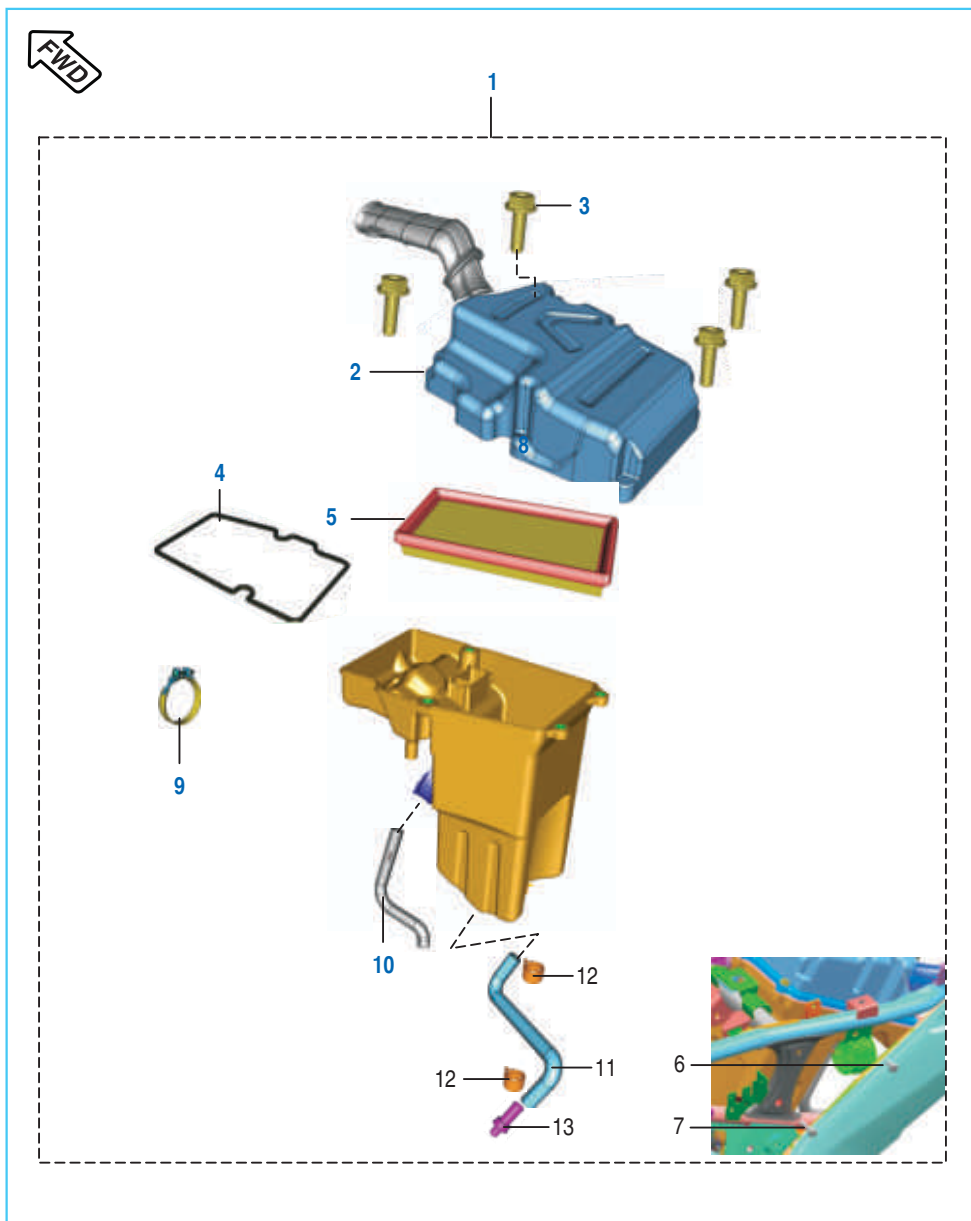
No.	Part No.	Description	Qty.		Remarks
			200 NS	200 AS	
1	JU 5514 04	Clutch Assy Comp	1	--	
	DT 5514 00	Clutch Assy Comp	1	1	Model BS IV
	DT 5514 09	Clutch Assy Comp	1	--	Model ABS
2	JG 5514 27	Collared Bush	1	1	
	DT 5514 12	Collared Bush	1	--	Model ABS
3	36 JL00 05	Kit Gear Primary Drive+Driven	1	1	Refer Page No. 107
	36 DT00 55	Kit Gear Primary Drive+Driven	1	1	Model ABS
4	JG 5514 28	Washer Clutch	1	1	
5	JG 5514 49	Plate (Wheel Clutch)	1	--	
	DT 5514 02	Clutch Pressure Plate	--	1	
6	36 JU00 02	Kit Friction Plate	1	1	Refer Page No. 108
7	JG 5514 47	Pressure Plate	5	5	
	DT 5514 08	Pressure Plate	5	--	Model BS IV
8	JG 5514 43	Clutch Holder (Hub Clutch)	1	--	
	DT 5514 01	Clutch Center	--	1	
9	JU 5514 06	Clutch Center (Holder Clutch)	1	1	
10	JU 5514 02	Spring -Clutch	4	--	
	DT 5514 03	Spring -Clutch	--	4	
11	JG 5514 51	Bolt 6*22	4	4	
12	39 2200 11	Washer-Plain (Primary Drive)	1	1	
13	DH 1016 48	Nut Clutch Center Lock	1	1	
14	JG 5514 23	Clutch Lifter Bearing	1	1	
15	DP 1011 43	Plate Judder Spring	1	--	
16	DP 1011 14	Spring Anti Judder	1	--	
17	JL 5514 07	Spring Bellville	1	--	N.I. Model BS IV

Carburettor



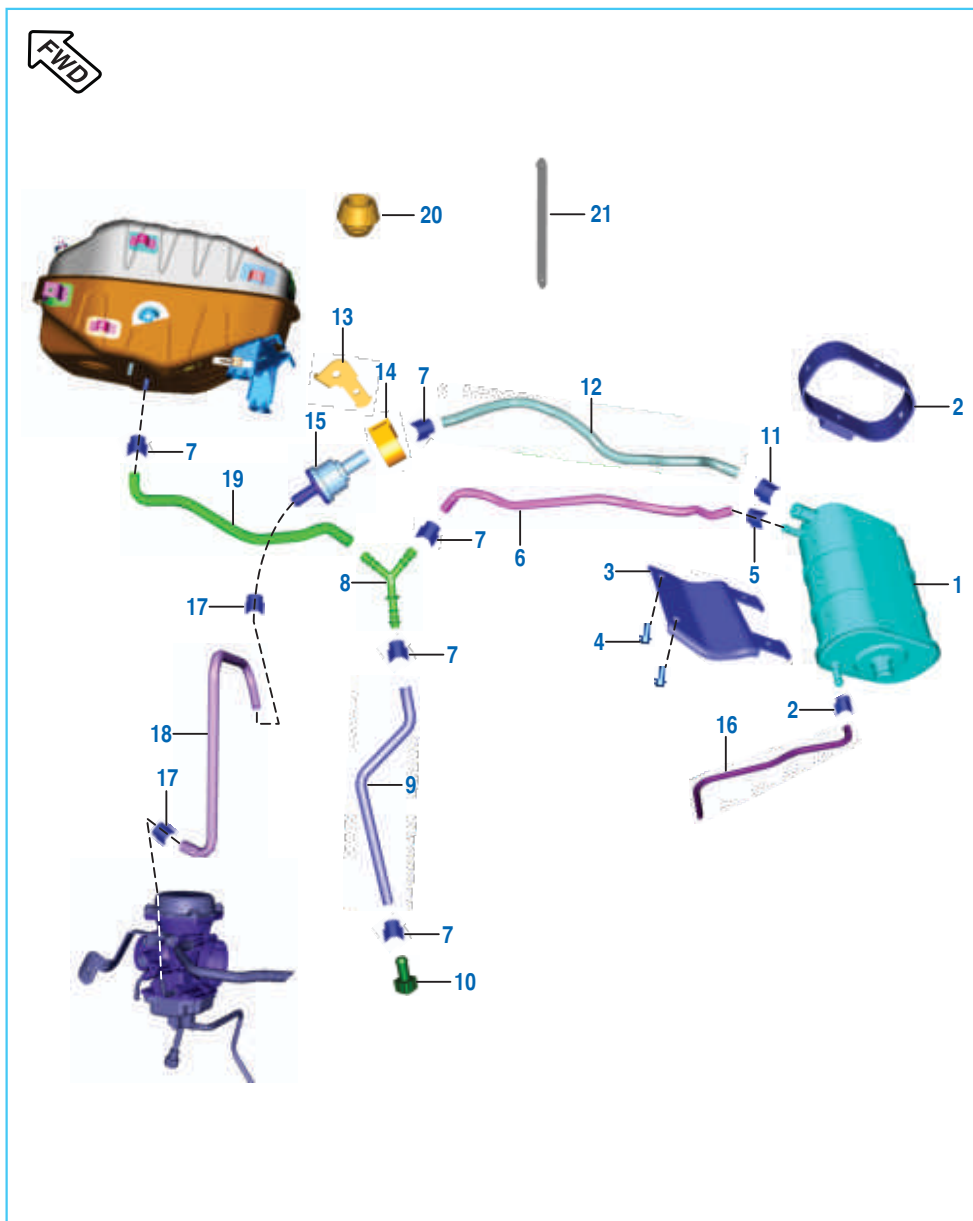
No.	Part No.	Description	Qty.		Remarks
			200 NS	200 AS	
1	JL 5812 01	Carburettor	1	1	
	JL 5812 15	Carburettor Assembly EVAP	1	-	Non TPS (Model BS IV)
2	JL 5813 00	Clamp (Duct Carburettor)	1	1	
3	JL 5110 16	Insulator Rubber	1	1	
4	JL 5810 27	Clamp	1	1	
5	36 JL00 19	Kit Jet P200	1	1	Refer Page No. 108
6	36 JL00 20	Kit VC Screw P200	1	1	Refer Page No. 109
7	36 JL00 21	Kit Idling Screw	1	1	Refer Page No. 109
8	36 JL00 22	Kit Piston Valve P200	1	1	Refer Page No. 108
9	36 JL00 24	Kit Jet Needle Hardware P200	1	1	Refer Page No. 109
10	36 JL00 23	Kit Gasket / O-ring P200	1	1	Refer Page No. 109
11	JA 5813 14	Drain Screw	1	1	
12	CB 1210 42	Float Chamber Screw	2	2	
13	DH 1210 64	Screw Needle Shaft	1	1	
14	DH 1210 63	Float Needle	1	1	
15	DK 1210 47	Needle Assly.	1	1	
16	39 1780 01	Screw Pan - M5	2	2	
17	JD 3518 00	TPS Assly.	1	1	
18	JL 5812 04	Choke Lever	1	1	
19	JL 5812 05	Tube Drain Carb.	1	1	
20	JL 5812 06	Tube Breather	1	1	
21	DK 1210 45	Float Assembly	1	1	
22	JG 5814 42	Clamp Intake Pipe	1	1	
23	36 JE00 22	Kit O - Ring & Gasket	1	1	
24	JL 5812 02	Throttle Cable Bracket	1	1	Model BS IV
25	JL 5812 03	Grommet Throttle Bracket	1	1	Model BS IV

Air Cleaner Complete



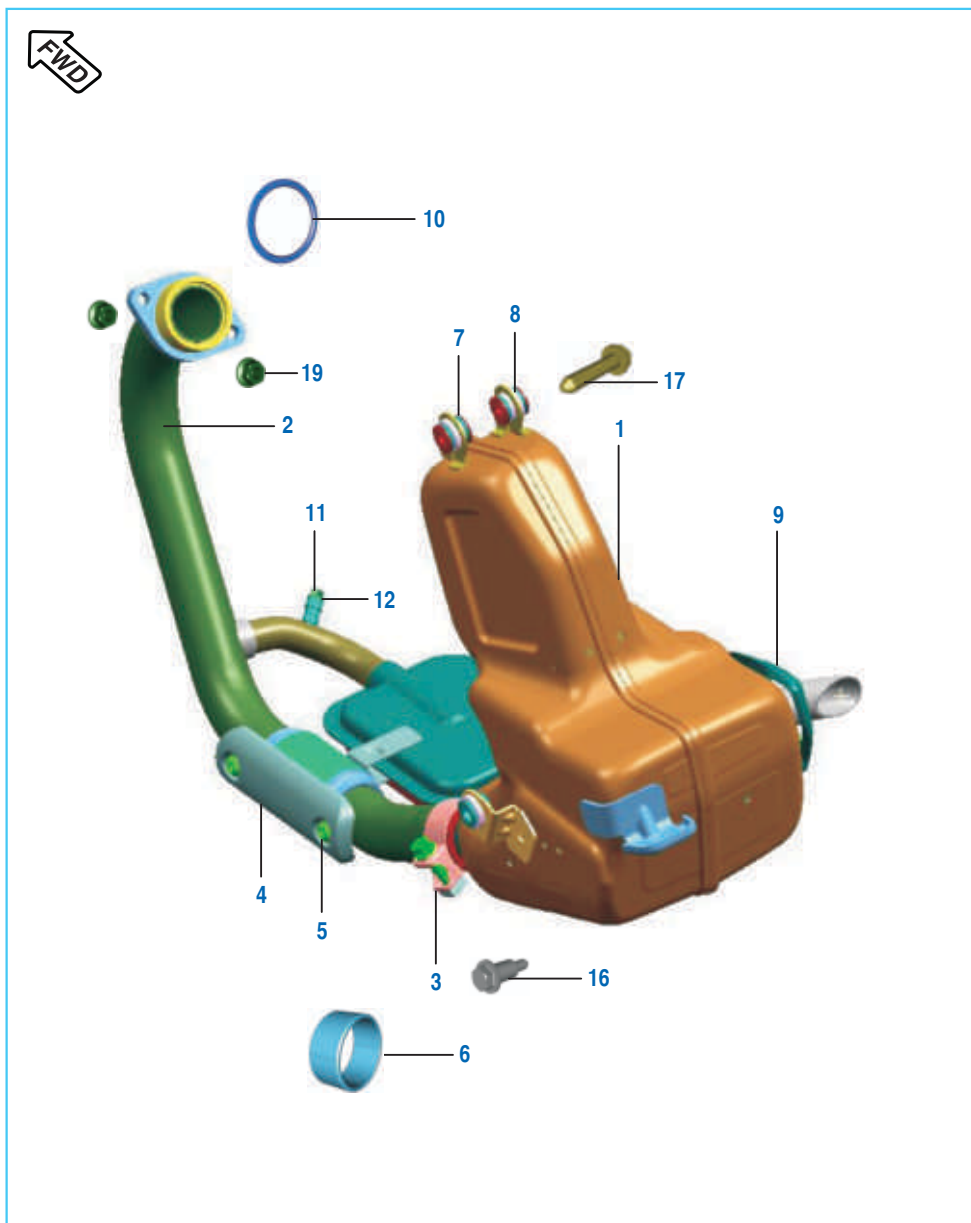
No.	Part No.	Description	Qty.		Remarks
			200 NS	200 AS	
1	JL 5810 00	Air Filter Assembly	1	1	
	JL 5810 50	Assembly Airfilter SAI	1	-	Model BS IV
2	JL 5810 23	Assembly Top Cover	1	1	
3	KA EM06 22	Bolt-Flange	4	4	
4	JL 5810 25	Seal Top Cover	1	1	
5	JL 5810 09	Filter Element	1	1	
6	KA DM06 10	Bolt Flange M6-L10mm	1	1	RH Mounting
7	KA DA06 30	Bolt Flange M6-L33mm	1	1	RH Mounting
8	39 0239 11	Plain Washer	2	-	N.I. RH Mounting
	LD B000 23	Plain Washer	-	2	
9	JG 5812 42	Clamp	1	1	
10	JL 5810 16	Tube Breather Assly	1	1	
11	JL 5810 15	Tube Drain Assembly	1	1	
12	DG 1210 02	Clamp	2	2	
13	DS 1211 26	Plug	1	1	

EVAP Mechanism



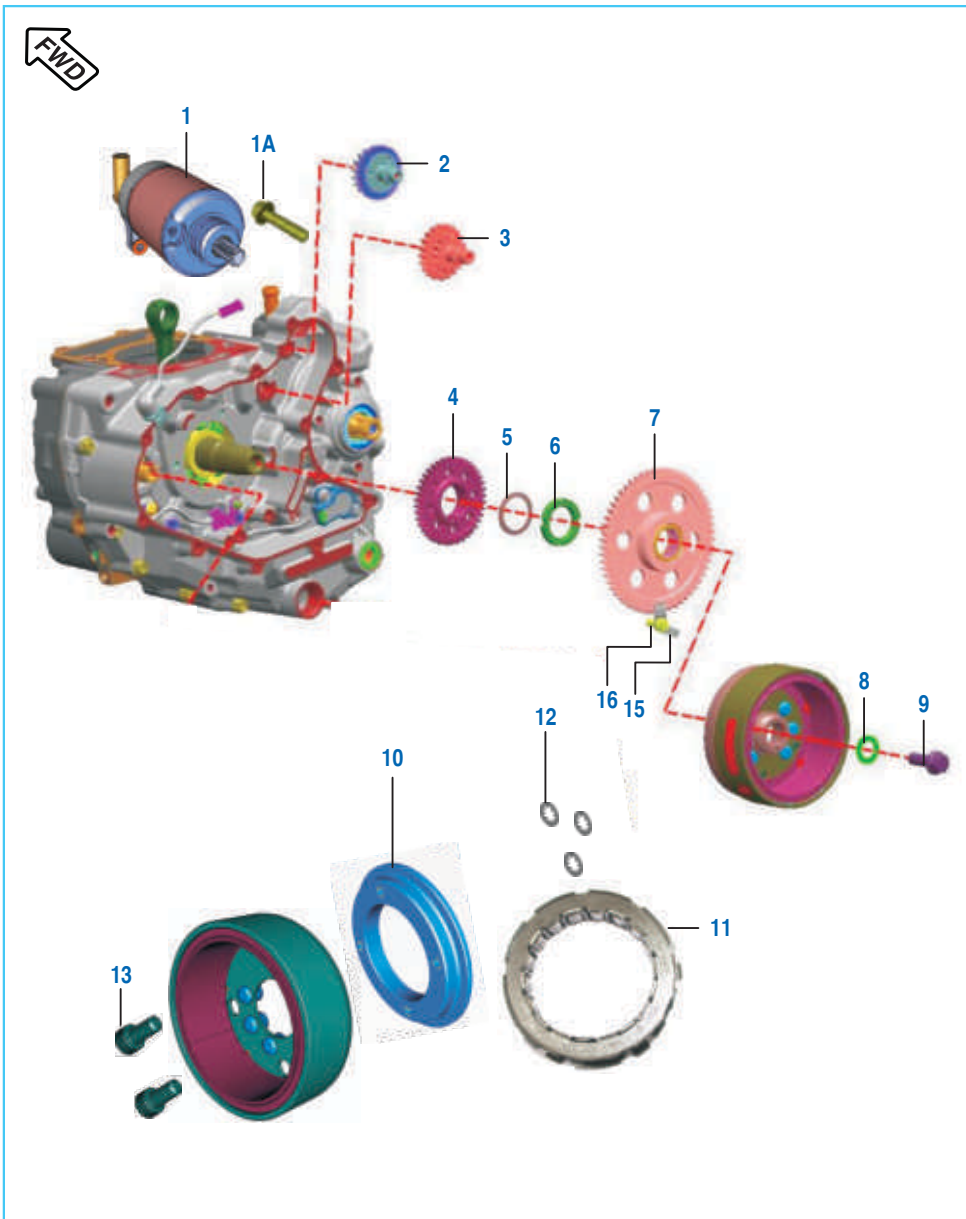
No.	Part No.	Description	Qty.		Remarks
			200 NS	200 AS	
1	JY 1710 77	Canister	1	-	Model BS IV
2	JZ 1710 55	Strap Canister	1	-	Model BS IV
3	JL 1138 30	Bracket Canister Mounting	1	-	Model BS IV
4	KA EA06 12	Bolt - Flanged - Small	1	-	Model BS IV
5	JY 1710 70	Spring Band Clamp 9 x 8.4	2	-	Model BS IV
6	JL 1718 37	Tube Y Connector To Canister	1	-	Model BS IV
7	JY 1710 90	Spring Band Clamp 13 x 12	5	-	Model BS IV
8	JY 1138 42	Connector Y Shape	1	-	Model BS IV
9	JF 1716 07	Tube Connector To Plug	1	-	Model BS IV
10	JY 1718 25	Plug Fuel Drain	1	-	Model BS IV
11	JY 1710 69	Spring Band Clamp 15 x 10	1	-	Model BS IV
12	JF 1718 04	Tube Canister To Connector	1	-	Model BS IV
13	JF 1138 38	Bracket Purge Valve Mounting	1	-	Model BS IV
14	JH 1710 48	Grommet Purge Valve	1	-	Model BS IV
15	PD 1716 16	Valve Purge	1	-	Model BS IV
16	JF 1718 07	Tube Canister Drain	1	-	Model BS IV
17	JG 1710 29	Spring Band Clamp 11.5 x 8.4	2	-	Model BS IV
18	JL 1716 07	Tube Purge Valve To Carb.	1	-	Model BS IV
19	JF 1718 06	Tube Tank To Y Connector	1	-	Model BS IV
20	JD 1710 59	Evap Cap Rubber Bush Sealing	1	-	Model BS IV
21	DT 1138 49	Strap	1	--	Model BS IV

Silencer Assembly



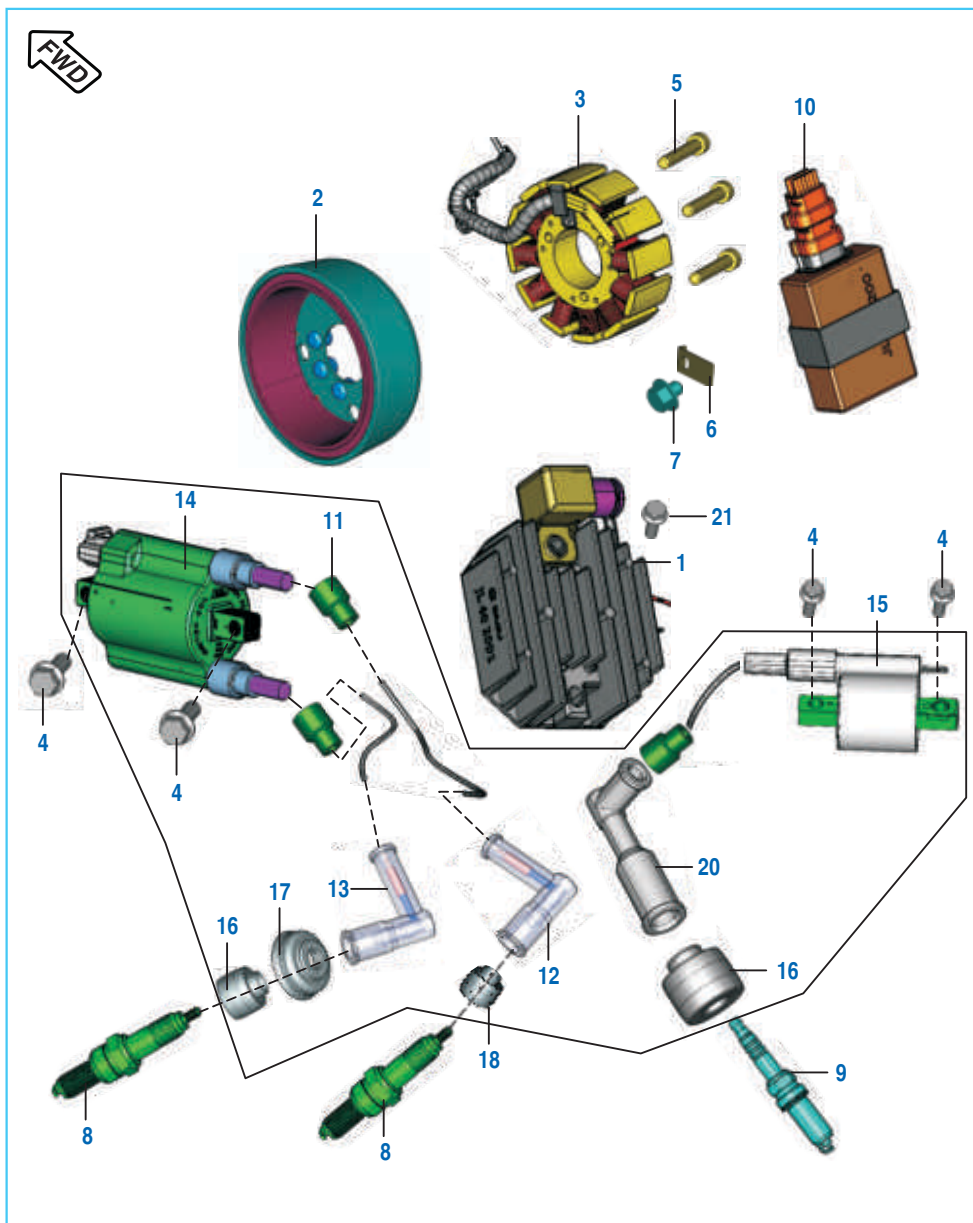
No.	Part No.	Description	Qty.		Remarks
			200 NS	200 AS	
1	JL 5910 52	Assembly Muffler W/O Shield	1	1	
	JL 5911 96	Assembly Muffler	1	-	Model BS IV
2	JL 5910 48	Pipe Ex. Assly W/O Shield	1	1	
	JL 5912 26	Pipe Exhaust A Assembly	1	-	Model BS IV
3	JG 5910 38	Band Clip	1	1	
4	JL 5911 44	Shield Catalytic Converter	1	1	
5	DH 1016 07	Truss Screw	4	4	
6	JG 5910 39	Gasket Muffler Pipe-A	1	1	
7	JL 5911 56	Bush Silencer Mounting	4	4	
8	JG 5910 97	Damper Silencer Mounting	4	--	
	JL 5911 65	Damper Silencer Mounting	--	4	
9	JL 5910 75	Heat Shield	1	1	
10	JG 5910 70	Gasket Exhaust	1	1	
11	39 2754 04	Bolt Hex	1	1	
	DK 1016 10	Bolt (M5) (SS 304)	1	-	Model BS IV
12	39 2492 11	Plain Washer	1	1	
13	JG 5910 53	Damper Silencer Mounting	4	4	
14	KA DQ06 25	Bolt M6	2	2	
15	JG 5910 88	Clip Nut M6	2	2	
16	JL 5910 86	Bolt Stepped	2	2	
	KA DA06 35	Bolt	2	2	
17	JL 5911 48	Bolt Hex Flange	2	--	
	KA DA06 30	Bolt Flanged	--	2	
18	JL 5911 57	Sleeve Bottom	2	2	
19	LC G000 06	NUT HEX FLANGED	2	-	Model BS IV

Starter Assembly



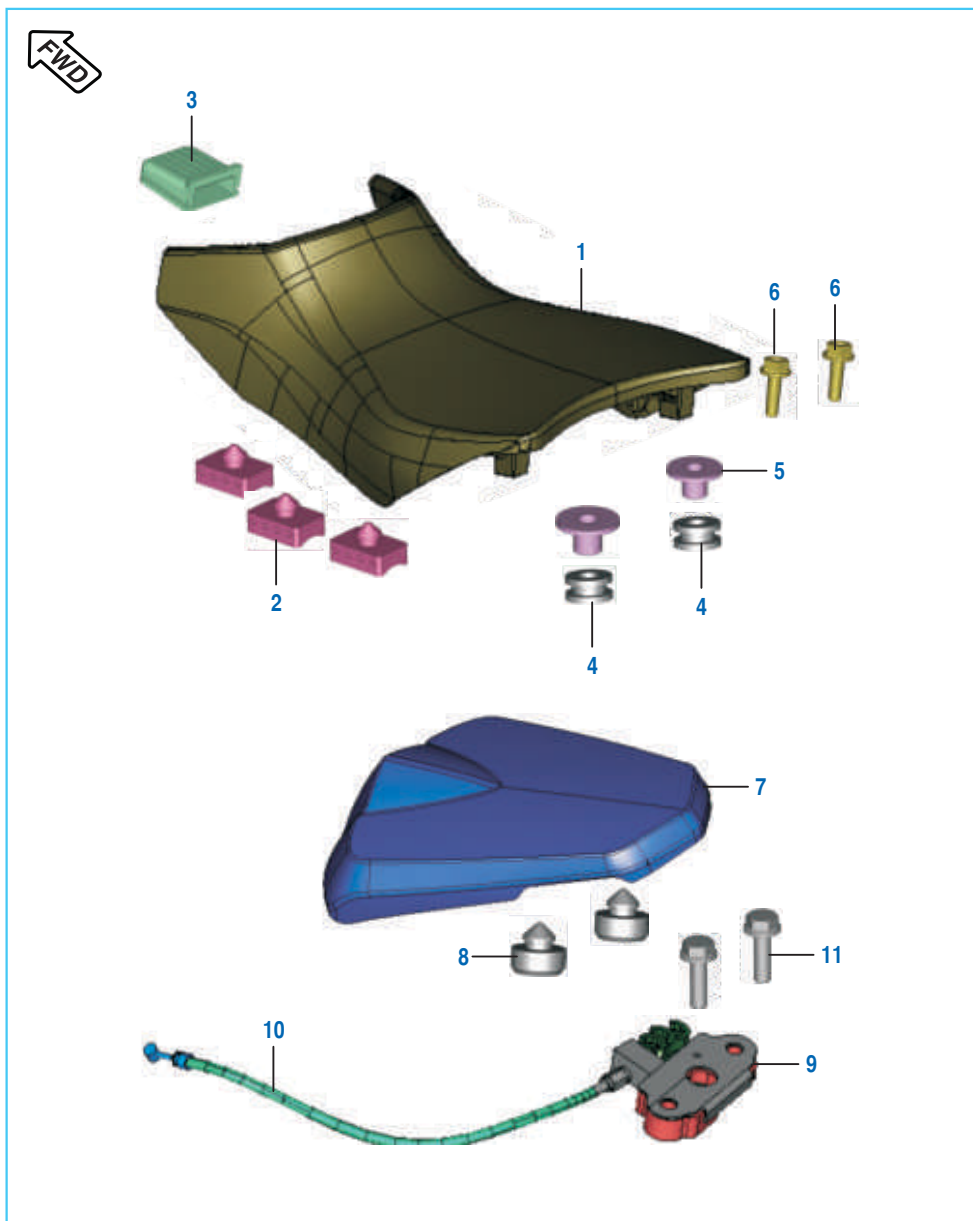
No.	Part No.	Description	Qty.		Remarks
			200 NS	200 AS	
1	JL 3516 00	Starter Motor Assly.	1	1	
1A	KA DQ06 25	Bolt M6-Motor mtg.	2	2	N.I.
2	JG 6214 13	Gear Starter Counter 2 Assy	1	1	
3	JG 6214 12	Gear Starter Counter 1	1	1	
4	JG 5310 41	Balancer Drive Gear	1	1	
5	JG 5310 39	Belleville Washer	1	--	
	LD H000 02	Conical Washer	--	1	
6	JG 5310 40	Nut Balancer	1	1	
7	JG 6214 17	Assembly Gear Starter Clutch	1	1	
8	39 2165 11	Plain Washer	1	--	
	LD B000 10	Plain Washer	--	1	
9	DH 1013 96	Hex Bolt Flanged	1	1	
	52 JY01 85	Bolt Flange Pre-coated	1	1	M10X1.25XL50
10	JG 3510 19	Body Complete Starter Clutch	1	1	
11	JY 5514 02	Clutch One Way Assly	1	1	
12	39 0849 14	Washer - Lock Toothed	4	4	
13	DH 10 13 89	Pre-coated Screw	4	4	
14	JA 3516 27	'O' Ring Starter Motor	1	1	N.I.
15	JG 5410 43	Retainer Gear Starter	1	--	Model BS IV
16	LA E000 42	Bolt Flange	1	--	Model BS IV

Magneto, CDI & H.T. Coil



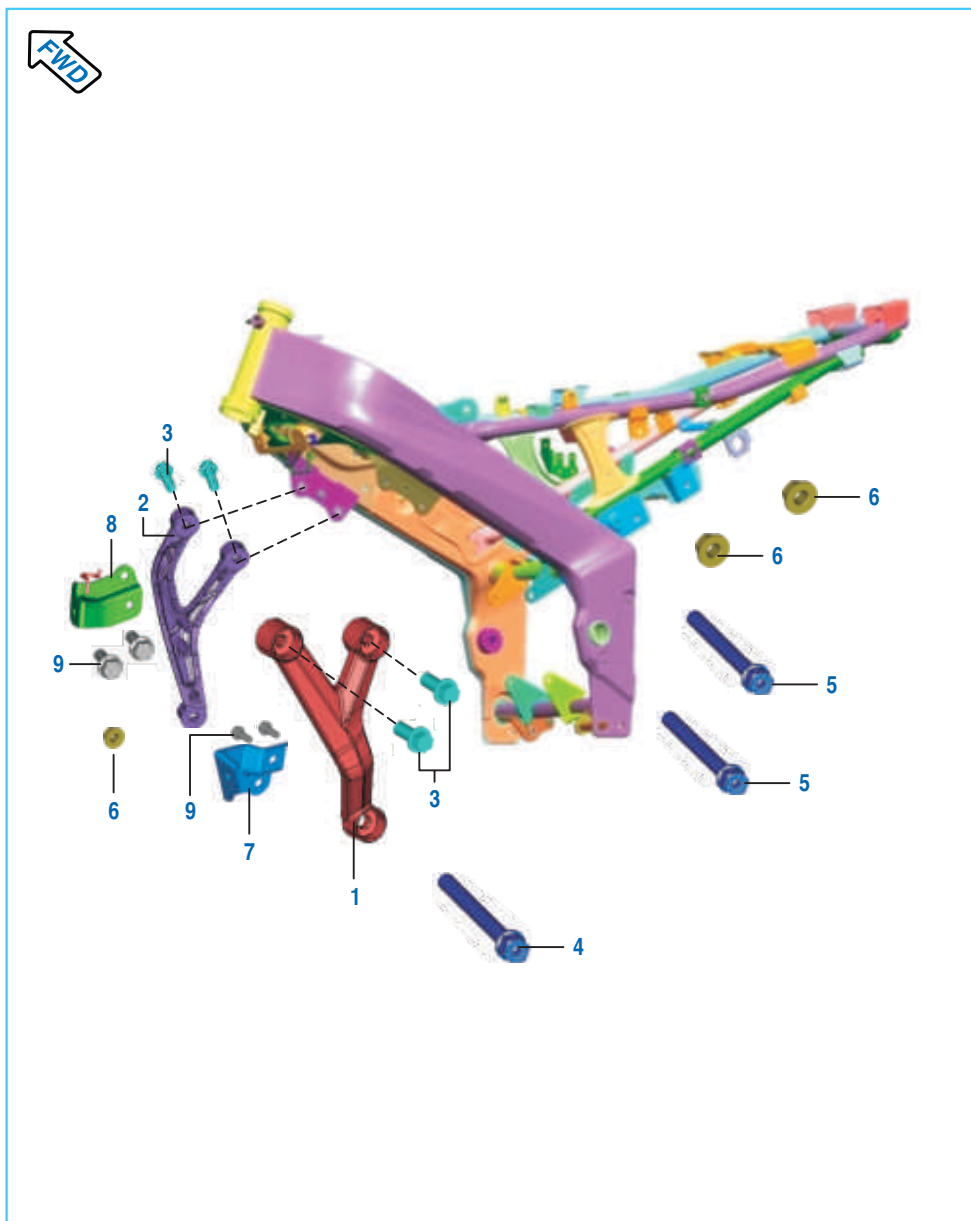
No.	Part No.	Description	Qty.		Remarks
			200 NS	200 AS	
1	JL 4020 01	Regulator Assly	1	1	Model BS IV
	JL 4020 07	Regulator Assembly	1	-	
2	JL 3510 09	Rotor W/O Clutch Assy	1	1	
3	JL 3510 03	Stator Assly	1	-	
	JL 3510 38	Stator Assly	-	1	
4	39 1944 04	Bolt - Flanged	4	4	HT Coil Mtg. Model BS IV
	KA DF06 10	Bolt Flanged	4	-	
5	DK 1012 84	Hex Socket Head Screw	3	3	
6	DH 1011 99	Plate - Stopper (W Harness)	1	1	
7	LA E000 10	Bolt Flange M5 X 13L	2	2	
8	DK 1110 28	Spark Plug RG6HCC	2	2	
9	JG 3512 09	Ignition Spark Plug	1	1	Model BS IV
	JL 3512 18	Plug Spark	1	-	
10	JL 3512 00	DC CDI With Sealed Coupler	1	-	Model BS IV
	JL 3512 41	CDI With Damper	-	1	
	JL 3512 46	CDI Non Tps Assembly	1	-	
11	DD 1110 12	Grommet For H. T. Cable	3	3	
12	JD 3512 07	Spark Plug Cap	1	1	
13	AN 1110 15	Spark Plug Cap	1	1	
14	JL 3512 01	Ignition Coil with Cable LH	1	-	Twin Output For NS200 ABS Model
	JL 3512 32	Coil HT	1	1	
15	JL 3512 02	Ignition Coil with Cable RH	1	-	For NS200 ABS Model
	JL 3512 30	Coil HT	1	1	
16	DH 1110 13	Grommet - Spark Plug	2	2	
17	DH 1110 16	Grommet - Sleeve Spark Plug	1	1	
18	DD 1110 11	Grommet - Spark Plug Cap	1	1	
20	DK 1110 11	Cap Spark Plug	1	1	
21	KA DA06 30	Bolt Flanged	2	2	Regulator Mtg.
22	JL 3512 19	Kit Ht Coil	1	-	Model BS IV

Seat Assembly / Seat Lock



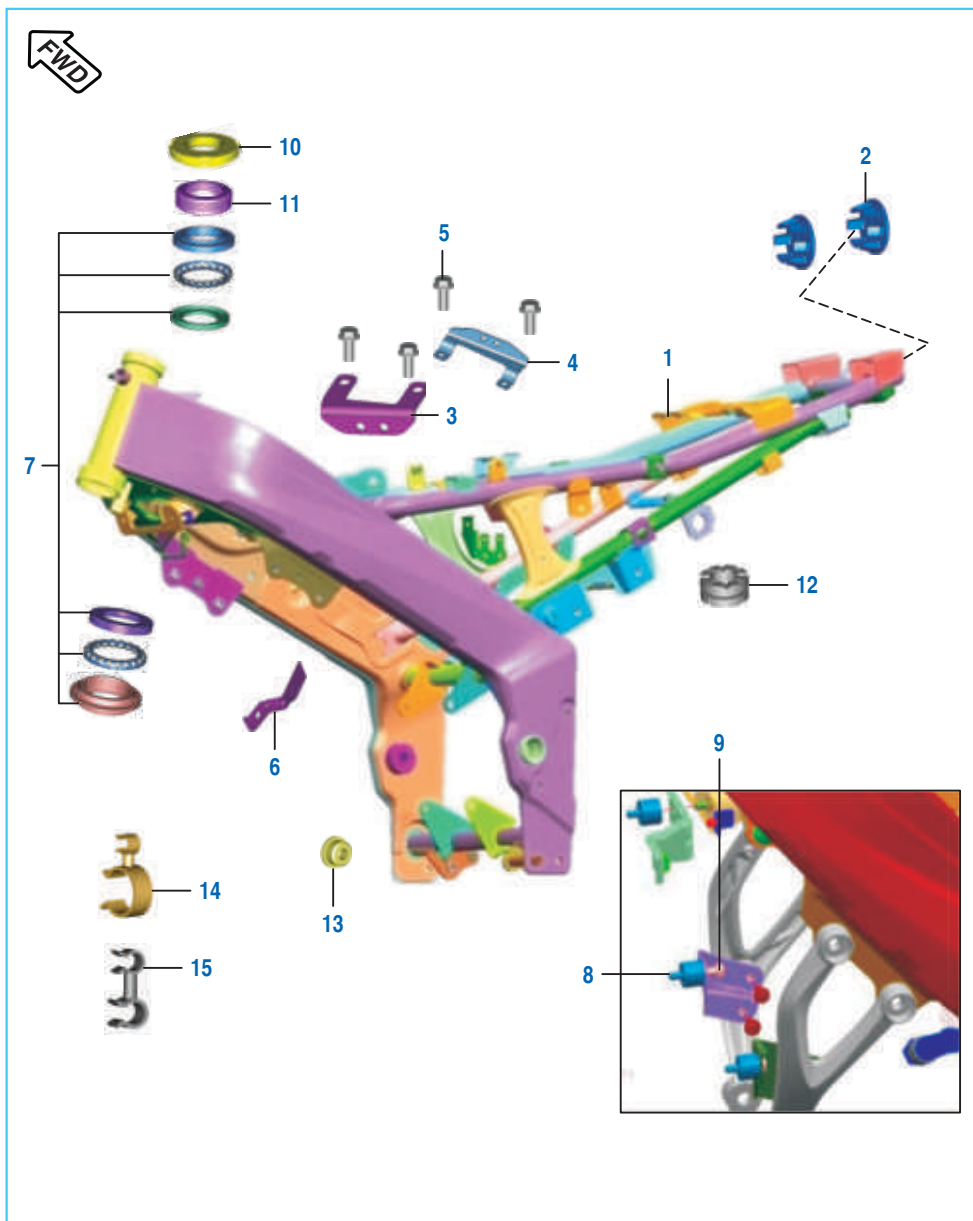
No.	Part No.	Description	Qty.		Remarks
			200 NS	200 AS	
1	JL 1910 01	Seat Assy Comp Front	1	1	
2	36 JL00 13	Kit Damper For Seat	1	1	Refer Page No.107
3	DK 2110 07	Damper Seat Front	1	1	
4	JG 1910 08	Collar -Seat	2	2	
5	FD 2110 06	Grommet - Seat	2	2	
6	DS 1612 87	Flange Bolt - M6	2	2	
7	JL 1910 04	Seat Assy Comp Rear	1	1	
8	JD 1910 06	Damper Round	2	2	
9	JG 2326 01	Lock Assy Seat Rear	1	1	
10	JG 2326 06	Seat Lock Cable	1	1	
11	39 1913 04	Bolt - Flanged	2	--	Ref Ser. Cir. D-62
	KA DE06 20	Bolt Flanged	2	--	
	KA DF06 22	Bolt Flanged	--	2	
12	JL 2326 04	Cover Seat Lock	--	1	

Engine Mountings



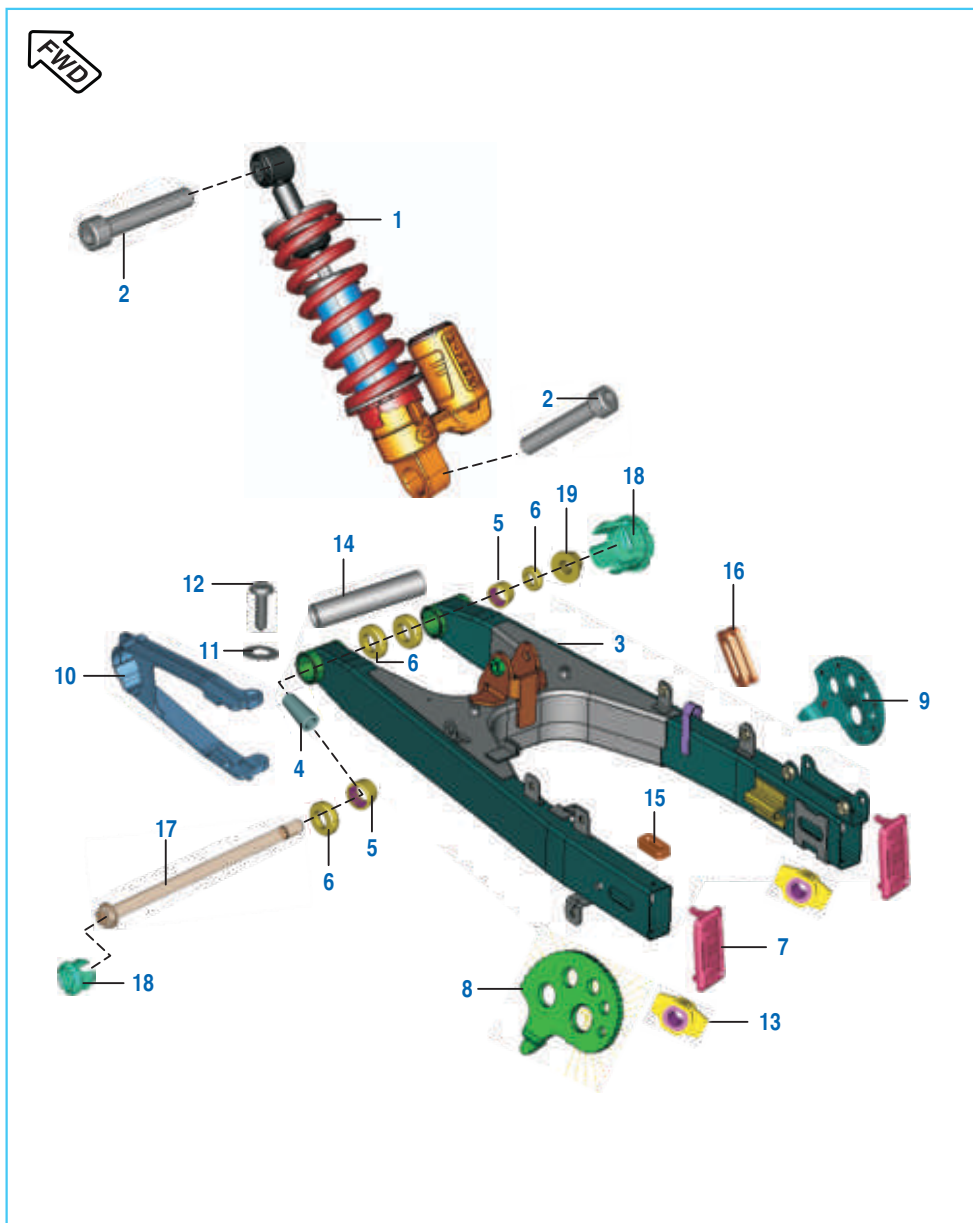
No.	Part No.	Description	Qty.		Remarks
			200 NS	200 AS	
1	JL 1134 00	Engine Stay LH	1	-	
	56 JL06 01	Eng Stay LH With Black Color	1	1	Ref. Ser. Cir. D-62
2	JL 1134 01	Engine Stay RH	1	-	
	56 JL07 01	Eng Stay RH With Black Color	1	1	Ref. Ser. Cir. D-62
3	39 1951 04	Bolt - Flanged Small	4	4	
4	JL 1110 54	Engine Mtg Bolt Front	1	1	
	LA J000 18	Bolt Stud - M10 X 1.25XL144	1	-	Model ABS
5	JA 1134 03	Flanged Bolt M10X110	2	2	
6	39 2723 15	Nut Flanged M10	2	2	
7	JL 1110 92	Bkt. Radiator Lower LH	1	1	
8	JL 1110 93	Bkt. Radiator Lower RH	1	1	
9	39 1062 04	Bolt Flanged	4	4	

Frame and Frame Fittings



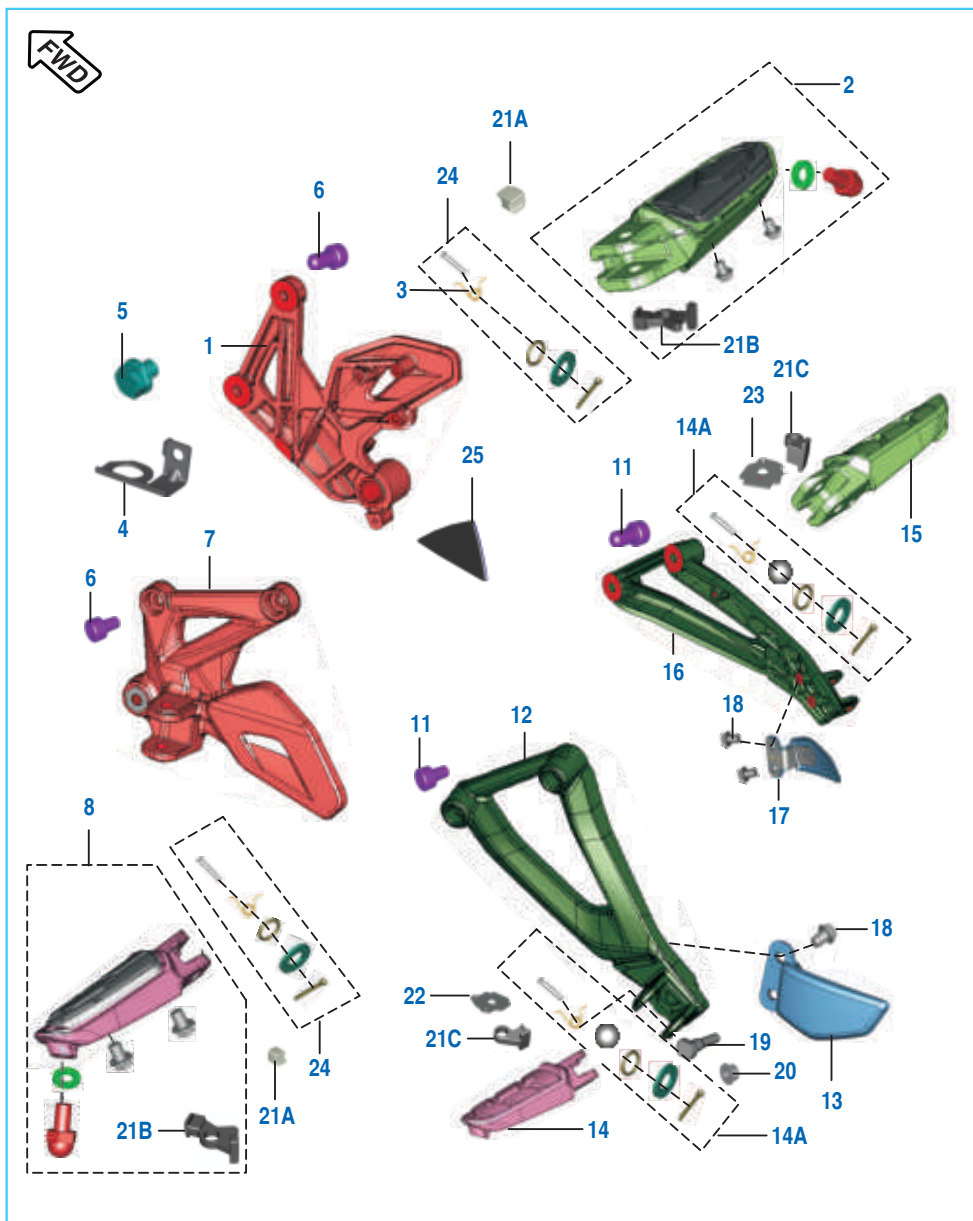
No.	Part No.	Description	Qty.		Remarks
			200 NS	200 AS	
1	JL 1111 06	Frame Assly Complete	1	--	Without Bearing Race
	JL 1111 83	Frame Assly Complete	--	1	
	JL 1112 33	Assembly Frame EVAP	1	--	Model BS IV
2	JL 1111 03	Cap Tube End	2	2	
3	JL 1110 81	Bracket Loose H.T. Coil 1	1	--	
4	JL 1110 82	Bracket Loose H.T. Coil 2	1	--	
5	39 1944 04	Bolt - Flanged	4	--	
	KA DF06 16	Bolt Flanged	4	--	Model BS IV
6	JL 1110 78	Bracket Horn Mtg LH	1	--	
7	36 JG00 11	Kit Steering head bearing	1	1	
8	JG 5810 14	Silent Block	4	4	
9	LA D000 40	Bolt Flange	2	2	
10	DK 1810 75	Nut Steering	1	1	
11	PD 1510 06	Cap Steering	1	1	
	DK 1810 76	Cup Steering	1	--	Model BS IV
12	JL 1710 20	Grommet For Air Filter Setting	1	1	
	JL 1138 09	Grommet Air Filter Resting	1	--	Model BS IV
13	DT 1813 22	Plug 1	1	--	Model BS IV
14	DT 1138 55	Clamp	2	--	Model BS IV
15	AN 1013 48	Clip Hose	1	--	

Swing Arm / Rear Shock Absorber



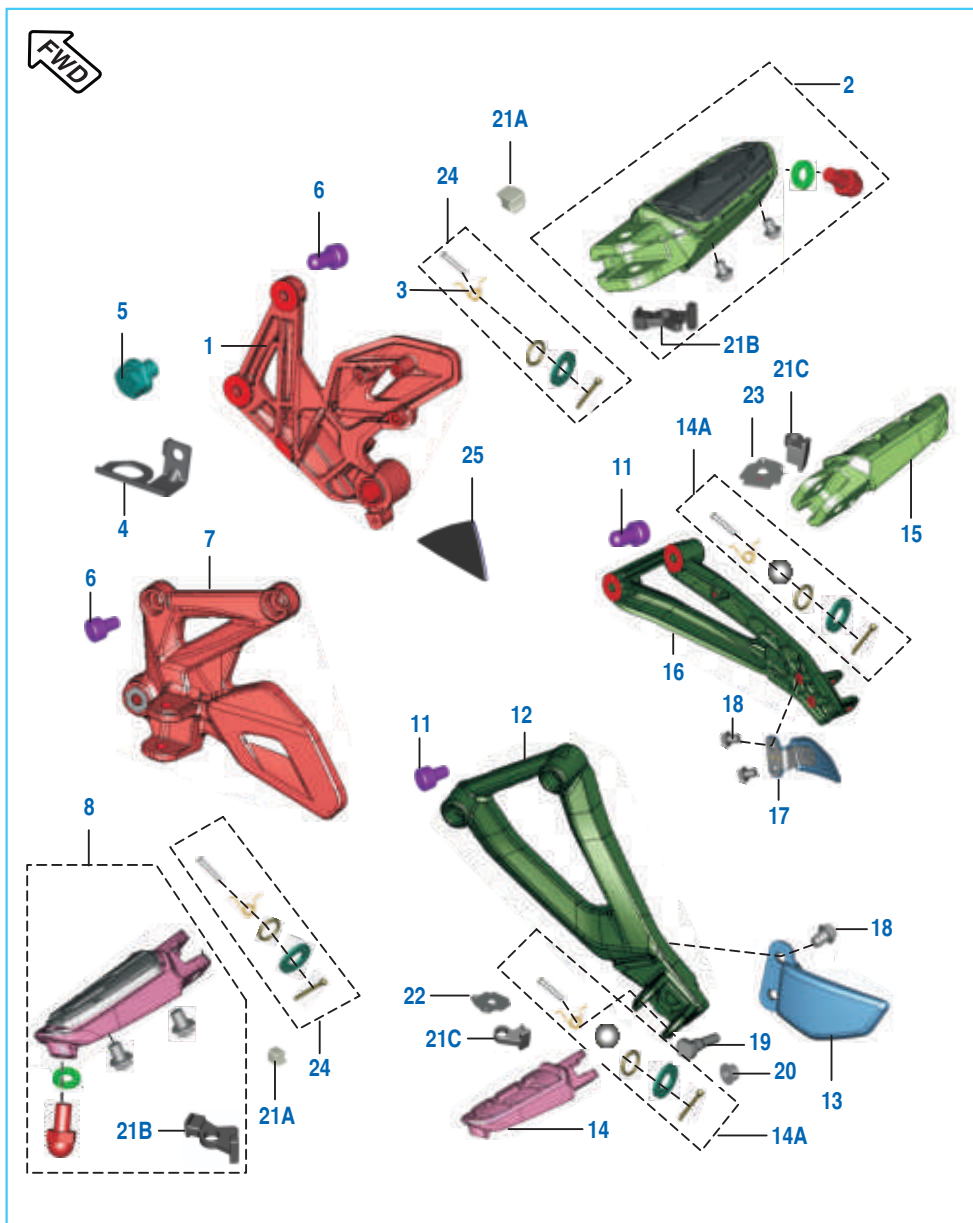
No.	Part No.	Description	Qty.		Remarks
			200 NS	200 AS	
1	JL 1220 06	Shockabsorber Mono	1	1	
2	LA C000 19	Bolt Socket M10 X 1.25 X 55	2	2	
3	JL 1220 13	Assembly Swing Arm Comp	1	1	
4	DG 1710 16	Sleeve	2	2	
5	DG 1710 18	Bearing - Needle	2	2	
6	DG 1710 19	Seal - Oil	4	4	
7	JL 1220 02	Cap Swing Arm Tube	2	2	
8	JL 1220 01	Adjuster Chain Lh	1	1	
9	JL 1220 09	Adjuster Chain Rh	1	1	
10	JL 1220 03	Slider Chain	1	1	
11	39 0454 11	Washer - Plain	2	2	
12	39 0553 02	Screw - Self Tapping	2	2	
13	JL 1220 04	Spacer Chain Adjuster	2	2	
14	JL 1220 08	Spacer Central Swing Arm	2	2	
15	JL 1812 24	Grommet I	1	1	
16	JL 1812 25	Grommet Ii	1	1	
17	DG 1710 15	Shaft - Swing Arm	1	1	
	JL 1220 26	Shaft Swing Arm Assembly	1	-	Model BS IV
18	DT 1138 48	Cap Swing Arm Pivot	2	2	Model BS IV
19	39 1053 15	Nut	1	1	
	DG 1710 17	Nut	1	--	Model BS IV

Pillion Foot Rest / Holder



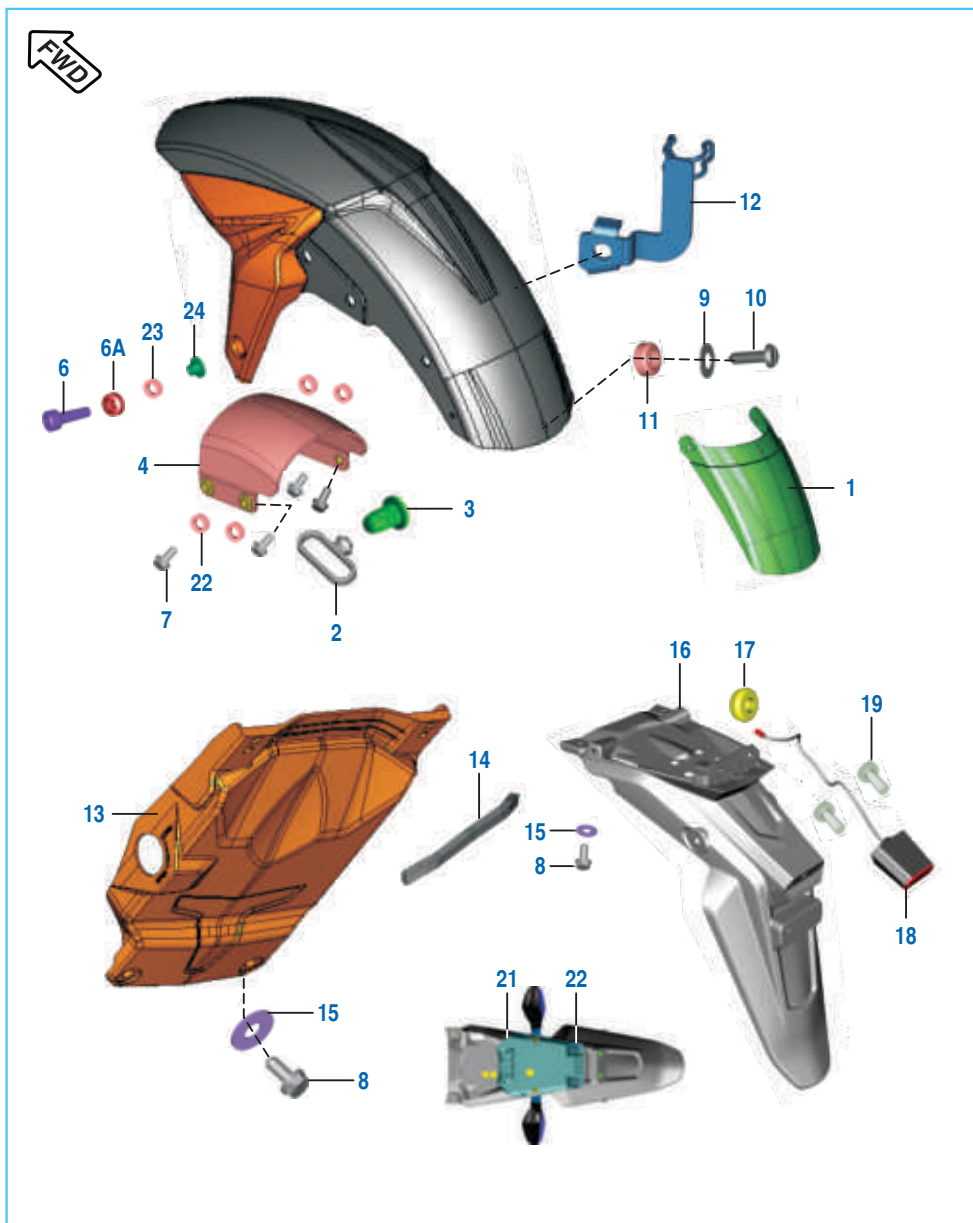
No.	Part No.	Description	Qty.		Remarks
			200 NS	200 AS	
1	JL 1130 02	Holder Step RH	1	1	
	56 JL3Y 1Y	Holder Step RH SI Gray	1	--	Model BS IV
	56 JL5F 1Y	Holder Step RH SI Gray	1	--	For ABS Model
2	JL 1130 07	Step Assy Main RH	1	--	
	52 JL01 59	Step Assy Main RH Mtl Col	1	1	Ref. Ser. Cir. D-62
	JF 1130 09	Step Assembly RH	1	--	Model BS IV
	52 JL10 35	Step Assembly RH Slate Gray	1	--	Model BS IV & ABS
3	JL 1130 12	Spring Torsion	2	2	
4	JL 1130 33	Bracket Rear Brake Switch	1	1	
5	39 2475 04	Bolt-Hexagon Head Flange M6	1	--	
	KA EA06 08	Bolt Flanged Small	1	1	
6	KA CA08 20	Bolt-Socket Dia-08 L-20	4	4	
7	JL 1130 34	Holder Step LH	1	1	
	JL 1130 57	Step Holder LH	1	--	Model BS IV
8	JL 1130 00	Step Assy Main LH	1	--	
	52 JL01 58	Step Assy Main LH Mtl Col	1	1	Ref. Ser. Cir. D-62
10	LD A000 13	Washer Plain Dia 6.4XDia	1	1	
11	LA C000 16	Bolt Socket M8X35	4	4	
	LA C000 45	Bolt Socket	4	--	Model BS IV
12	JL 1130 13	Step Holder- Pillion LH	1	1	
	56 JL4J 1Y	Step Holder- Pillion LH SI Gray	1	--	BS IV
13	JL 1130 26	Flap Pillion Holder LH	1	1	
	56 JL07 3G	Flap Moon Light Silver	1	1	Ref. Ser. Cir. D-62
	56 JL4L 1Y	Flap Pillion Holder LH SI Gray	1	--	Model BS IV
14	JL 1130 14	Step Pillion LH	1	--	
	56 JL01 01	Step Pillion Assy Complete	1	1	Ref. Ser. Cir. D-62
14A	36 JL00 15	Kit Pillion Hardware	2	2	
15	JL 1130 16	Step Pillion RH	1	--	
	56 JL02 01	Step Pillion Assy RH	1	1	Ref. Ser. Cir. D-62

Pillion Foot Rest / Holder



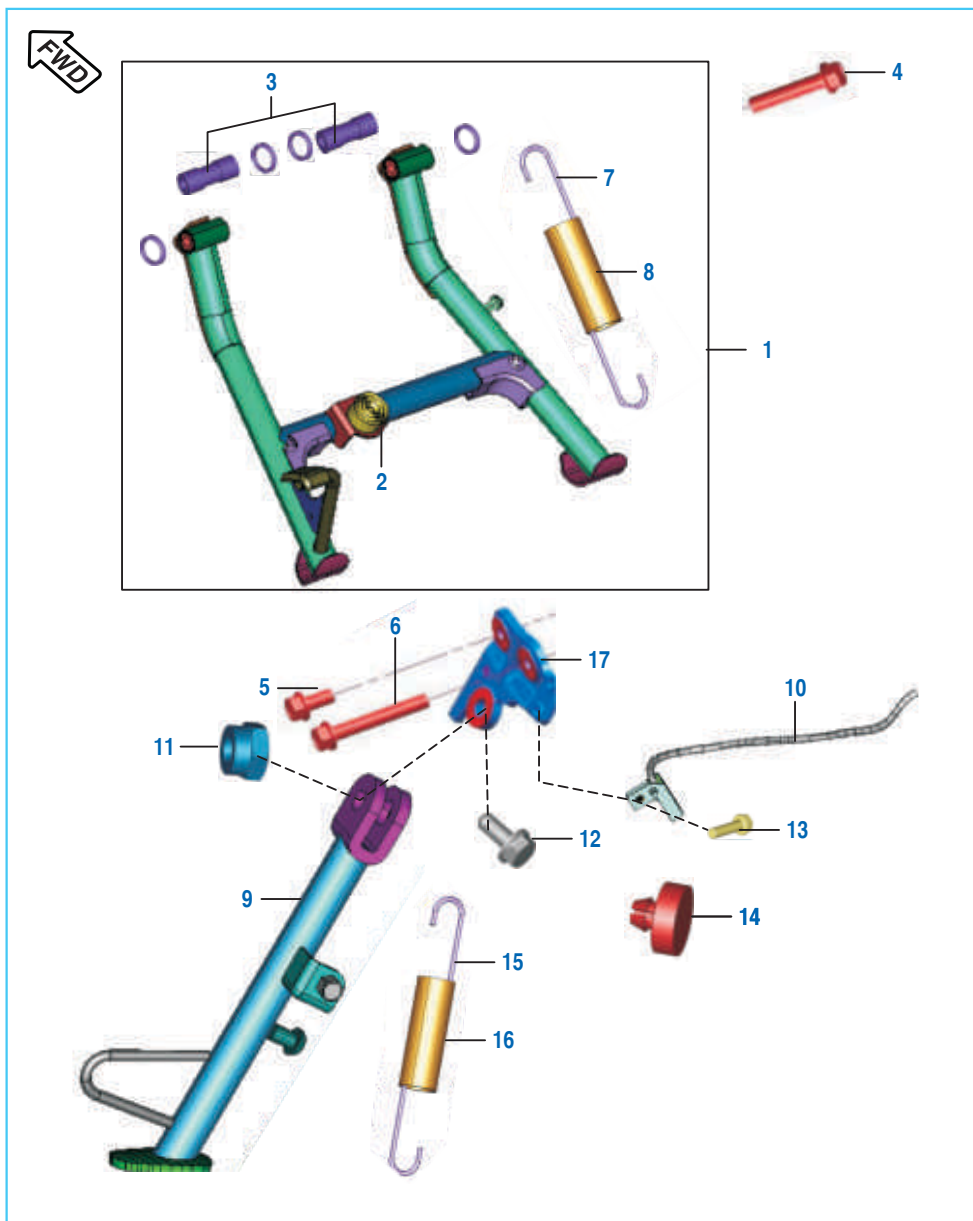
No.	Part No.	Description	Qty.		Remarks
			200 NS	200 AS	
16	JL 1130 15	Step Holder-Pillion RH	1	1	
	56 JL4K 1Y	Step Holder-Pillion RH SI Gray	1	--	BS IV
	JL 1130 60	Step Holder RH	1	--	Model ABS
17	JL 1130 27	Flap Pillion Holder RH	1	--	
	56 JL08 3G	Flap Moon Light Silver	1	1	Ref. Ser. Cir. D-62
	56 JL4M 1Y	Flap Moon Light Silver SI Gray	1	--	BS IV
18	39 1954 04	Bolt - Flanged Small	3	3	
	KA DE06 10	Bolt Flanged	3	3	Ref. Ser. Cir. D-62
	KA EF06 10	Bolt Flange Small	3	--	Model BS IV
19	JL 1130 38	Bolt Special M10	1	1	
20	39 1055 15	Nut	1	1	
21A	JZ 1130 61	Rubber Pad Footrest-Main	2	2	
21B	JF 1130 07	Damper Footrest	2	--	Model BS IV
21C	JL 1130 36	Rubber Pad Footrest-Pillion	2	2	
22	DT 1130 14	Lock Plate LH	1	1	
	JF 1130 08	Lock Plate	1	--	Model BS IV
23	DT 1130 15	Lock Plate RH	1	1	
24	36 JL00 41	Kit Main Step Hardware	2	2	
25	JL 1130 43	Tap	1	--	Model BS IV

Mudguard - Front & Rear



No.	Part No.	Description	Qty.		Remarks
			200 NS	200 AS	
1	JL 1814 05	Mudflap -Front	1	1	
2	DS 1611 25	Guide - Cable	1	1	
3	DJ 1610 69	Nail - Cable Guide	1	1	
4	JL 1814 02	Bracket Brace Fender	1	1	
	JL 1814 64	Fender Brace	1	-	Model BS IV
5	JL 1814 11	Washer Front-Fender-Mtg	2	2	
6	39 2038 04	Bolt-Hexagon Socket Head M6	2	-	
	KA CA05 20	Bolt Master	2	-	Model BS IV
	KA CA06 16	Bolt M8	--	2	
6A	JL 1814 11	Cup Washer	--	2	
	DT 1814 34	Cup Washer Front Fender Mtg	2	-	Model BS IV
7	39 1946 04	Bolt - Flanged M8	4	-	
	JG 1134 07	Bolt Flange M8	4	-	Model BS IV
	KA DF08 20	Bolt - Flanged M8	--	4	
8	39 1943 04	Bolt - Flanged	2	-	
	KA CA08 30	Bolt Master	2	-	Model BS IV
	KA DF06 14	Bolt - Flanged	--	6	
9	39 0242 11	Washer - Plain	6	--	
	KD AA05 10	Washer - Plain	--	6	
10	39 2420 01	Screw - Pan Head M5	3	--	
	KB BC05 12	Screw - Pan Head M5	3	3	For 200NS ABS
11	39 0326 15	Nut - Nyloc M5 X 0.8	3	3	
12	JL 1318 11	Bracket -Hose Clamp	1	--	
	JL 1138 34	Bracket -Hose Clamp	--	1	
13	JL 1812 09	Fender Rear Front	1	1	
14	JL 1812 21	Foam-Rear Fender Front	1	1	
15	39 0239 11	Washer - Plain	2	--	
	LD B000 23	Washer - Plain	--	6	
16	JL 1814 33	Fender Rear	--	1	
17	DJ 2011 73	Grommet For Cable	--	1	
18	JF 4010 16	Lamp No Plate Illumination	--	1	
19	KB UA05 16	Screw	--	2	
20	JL 1814 36	Under Tray	--	1	
21	LB U000 23	Screw	--	2	
22	DJ 1610 91	Grommet Front Fender	4	-	Model BS IV
23	DT 1814 35	Grommet Front Fender	2	-	Model BS IV
24	JL 1814 68	Collar Front Fender Soft Mtg	2	-	Model BS IV

Stand Assembly



No.	Part No.	Description	Qty.		Remarks
			200 NS	200 AS	
1	36 JL00 25	Kit Center Stand	1	--	As An Accessories
2	DG 1611 24	Damper	1	--	
3	JL 1132 10	Bush Main Stand LH	2	--	
4	39 1941 04	Bolt - Flanged M8	1	--	
5	39 1946 04	Bolt - Hexagon M8 X 1.25	1	1	
	39 1689 04	Bolt - Flanged M8	--	1	
6	39 2469 04	Bolt Flanged	1	--	
	LA D001 35	Bolt Flanged	--	1	
7	JL 1132 07	Spring Main Stand	1	--	
8	JL 1132 12	Cover Spring Main Stand	1	--	
9	JL 1132 01	Assembly Side Stand	1	1	
10	JL 4014 02	Switch Side Stand	1	1	
11	39 0422 15	Nut - Nyloc M10	1	1	
12	DF 1611 02	Bolt For Side Stand Mounting	1	1	
13	39 2060 04	Bolt - Flanged	1	--	Magnet Mtg.
	KA DB05 16	Bolt - Flanged	--	1	
14	JL 4036 00	Magnet Assembly	1	1	
15	JL 1132 09	Spring Side Stand	1	1	
16	DH 1611 46	Cover - Spring Side Stand	1	1	
17	52 JL00 72	Bracket Side Stand Mtg	1	1	

Tube / Tyre / Rim



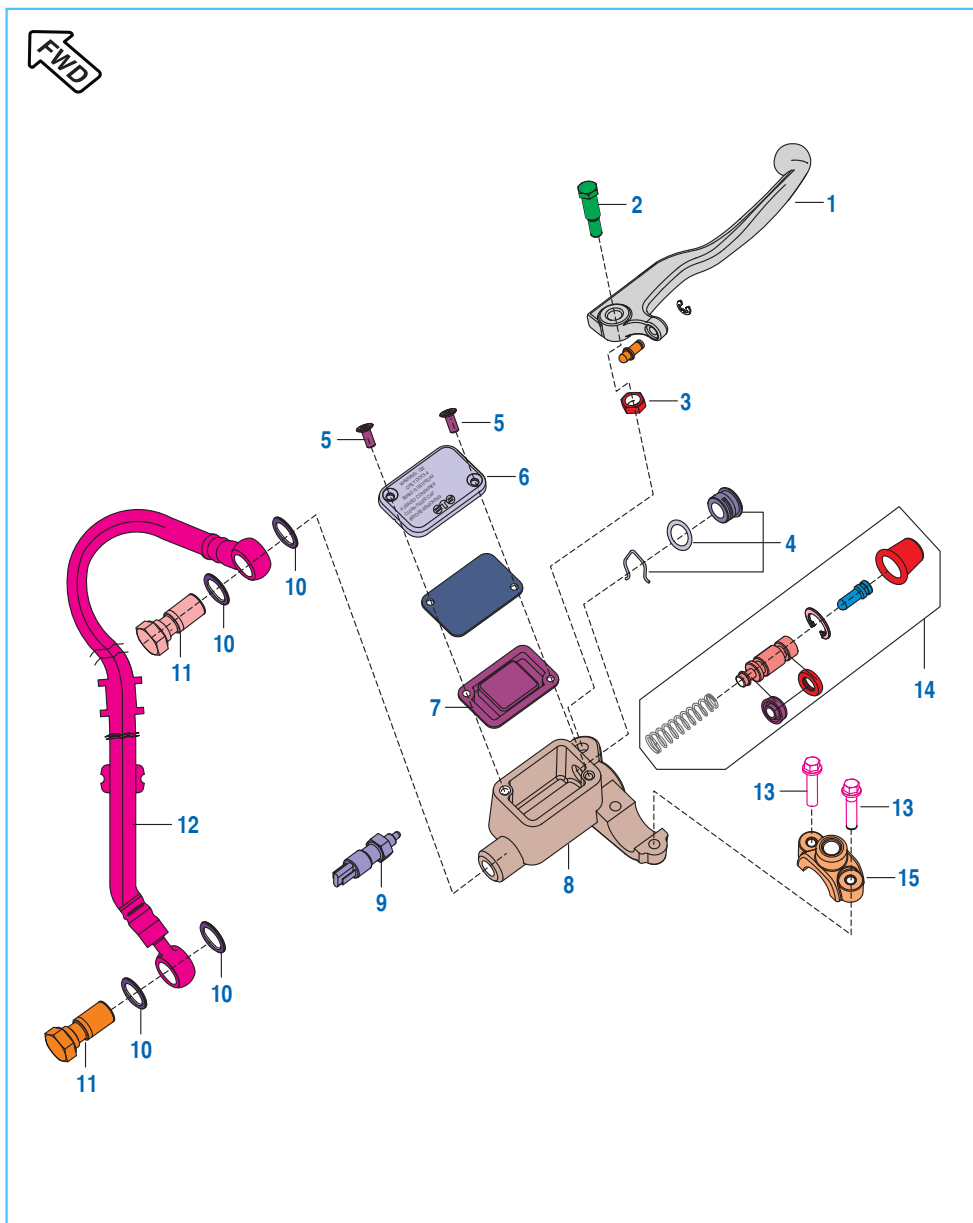
No.	Part No.	Description	Qty.		Remarks
			200 NS	200 AS	
1	JL 1310 06	Tyre Tubeless (Size 100/80-17)	1	1	Not Serviceable
	DT 1310 18	Tyre Tubeless (Size 100/80-17)	1	--	For ABS Model
2	DK 1510 26	Valve Tubeless Tyre	2	2	
3	JL 1310 04	Wheel Rim 2.5X17	1	1	
4	JL 1312 09	Wheel Rim 3.5X17	1	1	
5	JL 1312 19	Tyre 130/70-17	1	1	Not Serviceable
	DT 1312 22	Tyre Tubeless Rear 130/70-17	1	--	For ABS Model

Front Hub



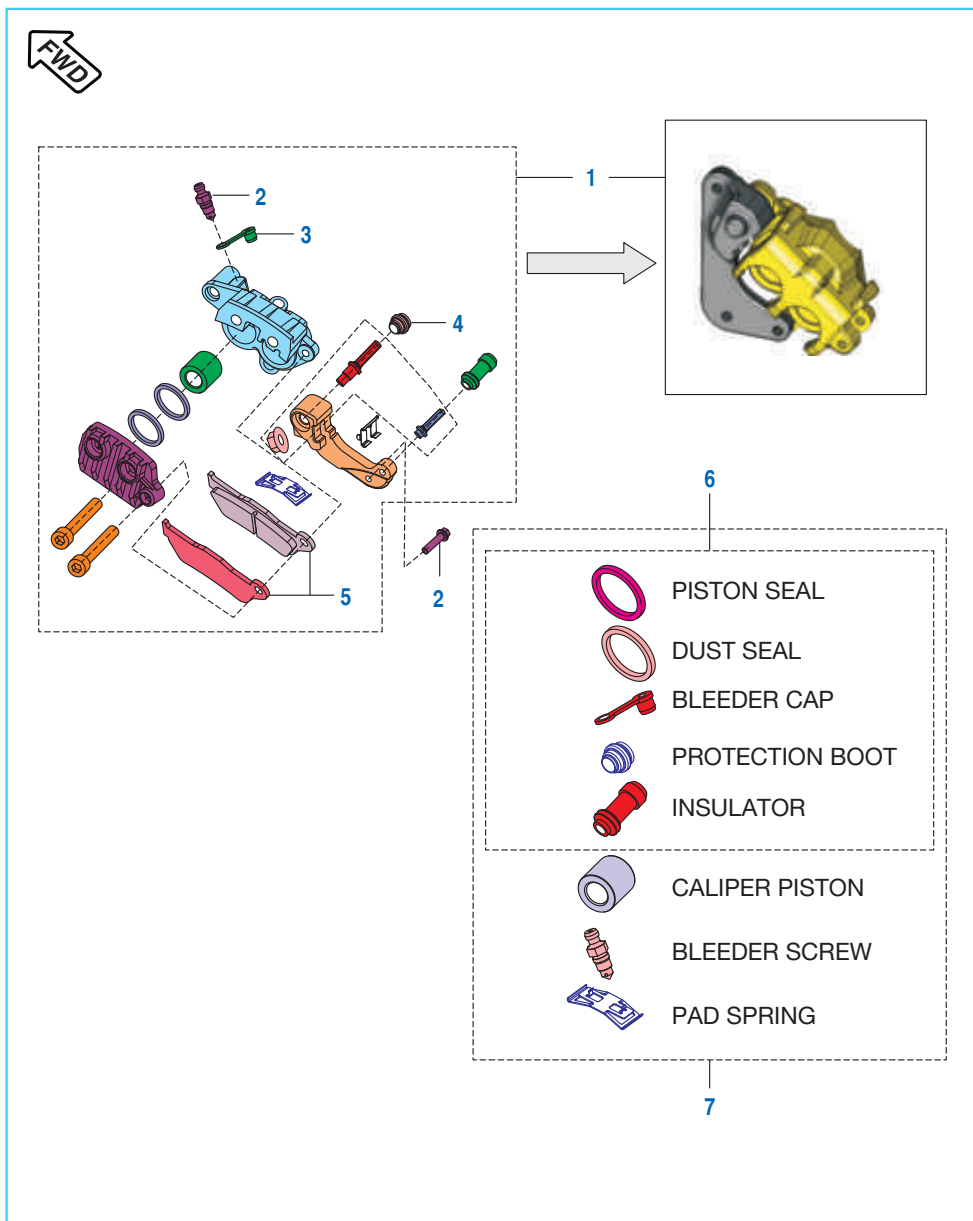
No.	Part No.	Description	Qty.		Remarks
			200 NS	200 AS	
1	JL 1310 04	Wheel Front	1	1	
2	JG 1310 01	Spacer	1	1	
2A	DT 1310 17	Collar Front Wheel	1	--	For ABS Model
3	39 2241 20	Bearing - Ball	2	--	
	KP BC62 02	Bearing - Ball	2	2	For NS 200 ABS
4	DG 1510 05	Seal - Oil	1	1	
5	JL 1310 05	Disc Front	1	--	
	52 JL01 41	Assembly Disc Front	1	1	Ref. Ser. Cir. D-62
	DT 1318 02	Disc 300 mm	1	--	For ABS version
6	JD 1318 11	Special Bolt M8	6	6	
7	JL 1310 00	Collar	1	1	
8	JC 1510 20	Case Meter W/O Sensor	1	1	
9	JC 2010 46	Stopper	1	1	N.I. Sensor Mtg
10	59 2100 19	'O' Ring	1	1	N.I. Sensor
11	39 0900 12	Washer - Spring	1	1	N.I. Sensor Mtg
	KD DB04 08	Washer Spring Thin	1	--	Model BS IV
12	39 0840 01	Screw Pan Cross - M4	1	1	N.I. Sensor Mtg
	KB BA04 08	Screw Pan Cross	1	--	Model BS IV
13	JL 1310 01	Axle	1	1	
14	LD B000 29	Washer	1	1	
15	LC J000 02	Nut - U M14	1	1	
16	DT 1318 78	Clamp W ABS Hose	1	--	For ABS Model
17	JU 1318 01	Sensor Disc Front	1	--	For ABS Model
18	DT 4024 04	Wheel Speed Sensor	1	--	For ABS Model
19	39 1943 04	Bolt	1	--	For ABS Model

Front Master Cylinder



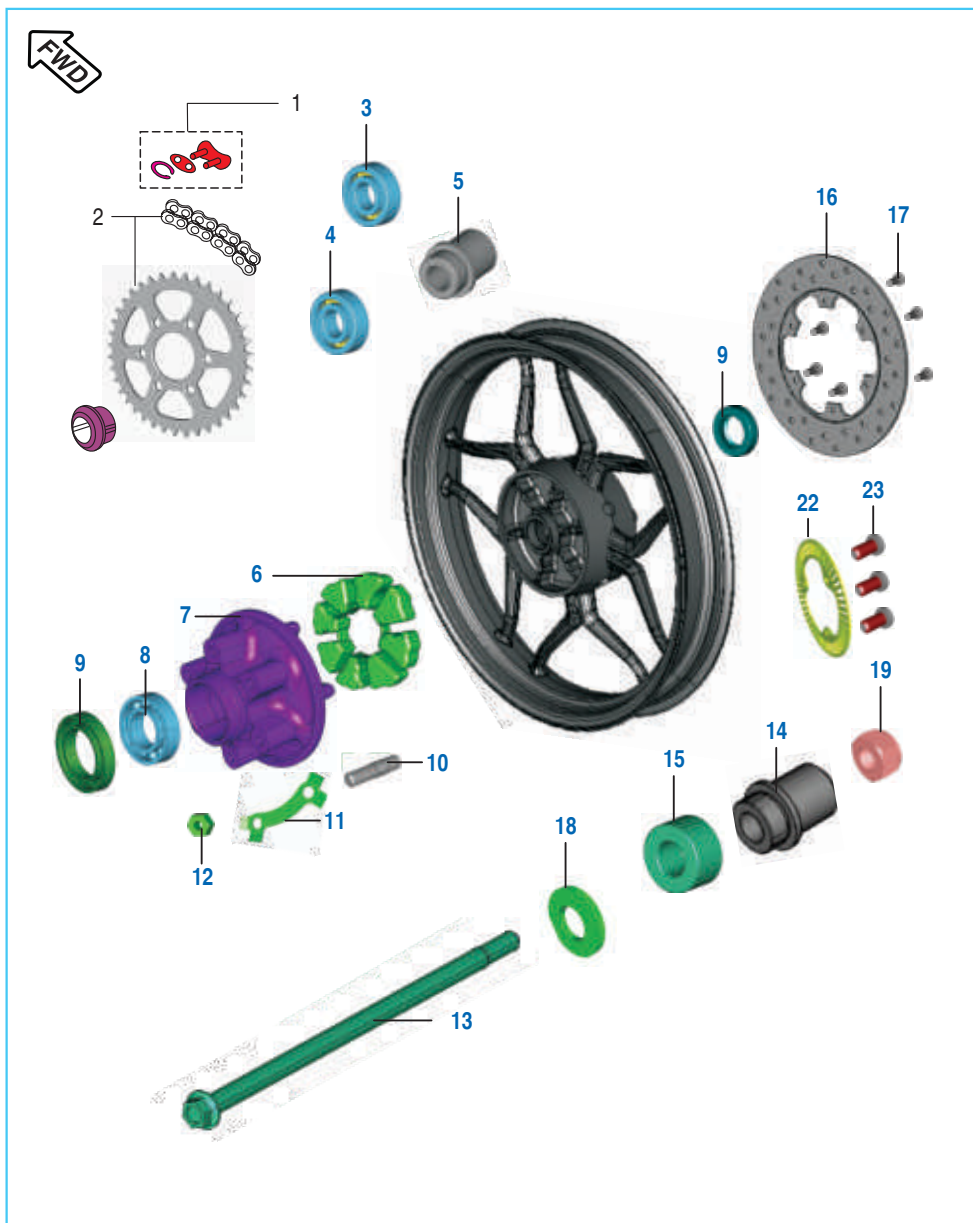
No.	Part No.	Description	Qty.		Remarks
			200 NS	200 AS	
1	DJ 1910 57	Lever Front Brake	1	--	
	JG 1610 10	Lever Front Brake	1	--	For ABS Model
	JG 1610 10	Lever Front Brake	--	1	
2	DJ 1910 29	Bolt Front Bracket I	1	1	
3	DJ 1910 30	Nut	1	1	
4	36 Dh19 02	Oil Window Kit	1	1	
5	DJ 1910 31	Screw	2	2	
6	DE 1910 29	Cover - Reservoir	1	1	
7	DE 1910 28	Diaphragm	1	1	
8	DJ 1910 56	Master Cylinder with lever	1	--	
	JL 1319 18	Master Cylinder with lever	--	1	
	JF 1318 16	Master Cylinder with Lever	1	--	For ABS model
9	DJ 2011 00	Brake Switch	1	1	
10	36 DT00 36	Kit Switch Front M Cylinder	1	--	For ABS model
	DE 1910 10	Washer - Copper	4	4	
11	DK 1510 69	Banjo Bolt	2	2	
12	JL 1318 02	Hose Assembly	1	1	
	JL 1319 19	Hose Assembly Front Brake	1	--	Model BS IV
	36 JL01 41	Hose M Cylinder to ABS Unit	1	--	For ABS model
13	LA D000 37	Bolt Flanged M8X1X50	2	2	
	KA DD08 30	Bolt Flanged	2	--	Model BS IV
14	DJ 1910 23	Major Kit M-11	1	1	
	36 DT00 34	Major Kit M Cylinder	1	--	For ABS model
	DE 1910 33	Clamp - Holder : RH	1	1	
15	36 JF00 81	Kit Clamp RH	1	--	For ABS model
	JL 1138 35	Hose Clamp	--	1	

Front Disc Brake



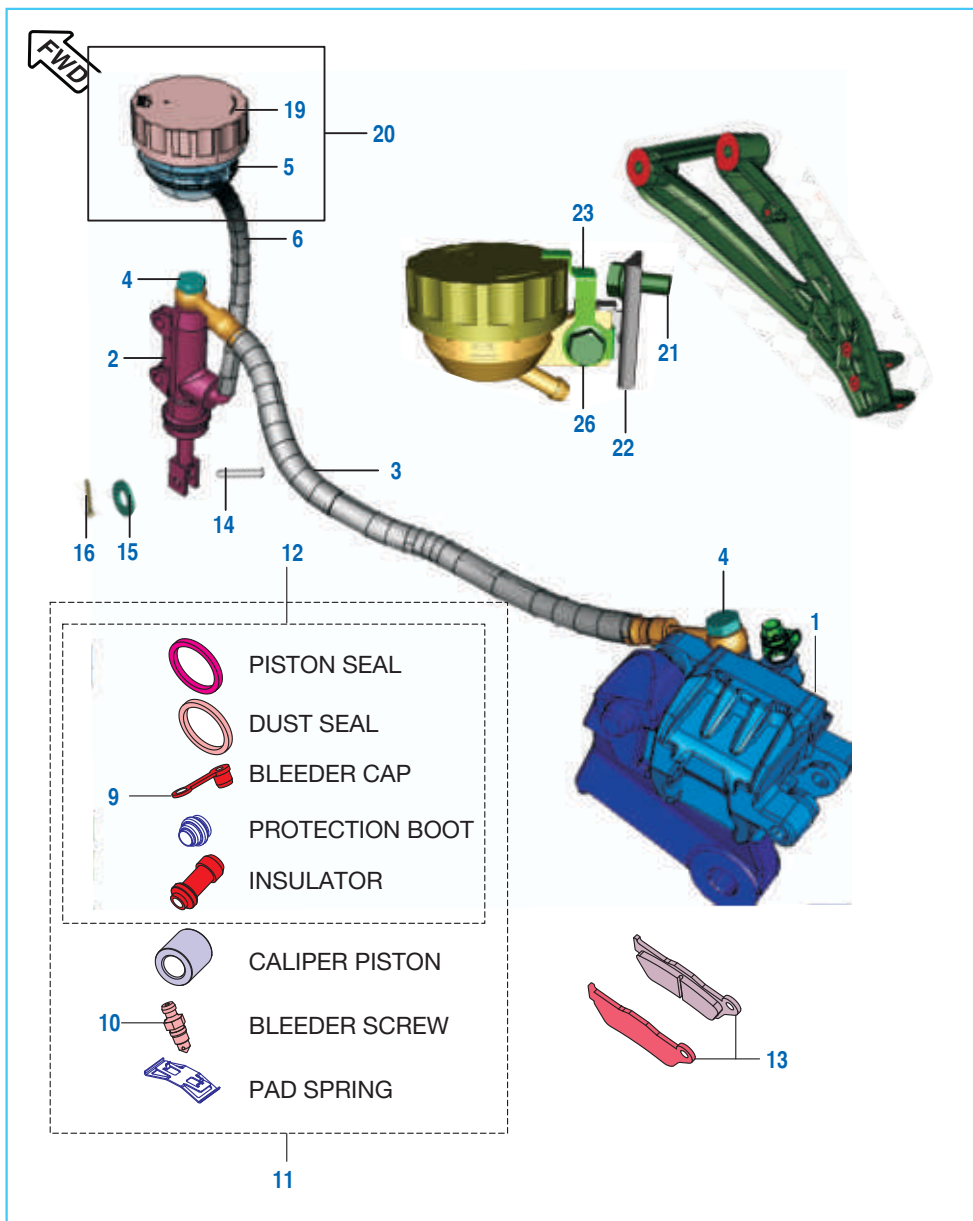
No.	Part No.	Description	Qty.		Remarks
			200 NS	200 AS	
1	JL 1318 04	Caliper Assy Brake Front	1	1	
	DT 1318 53	Caliper Assy Brake Front	1	--	For ABS Model
2	JL 1318 06	Screw Bleeder	1	1	
	DE 1510 46	Screw Bleeder	1	--	For ABS Model
3	DE 1510 47	Bleeder Cap	1	1	
4	JL 1318 07	Boot	1	1	
5	JL 1318 05	Disc Pad	1	1	
	JL 1319 32	Pad Set Brake Front	1	--	BS IV Model
	JL 1318 05	Disc Pad	1	--	For ABS Model
6	DJ 1510 74	Minor Kit	1	1	
	JL 1318 31	Minor Kit	1	--	For ABS Model
7	DJ 1510 75	Major Kit	1	1	
	JL 1318 31	Major Kit	1	--	For ABS Model

Rear Hub



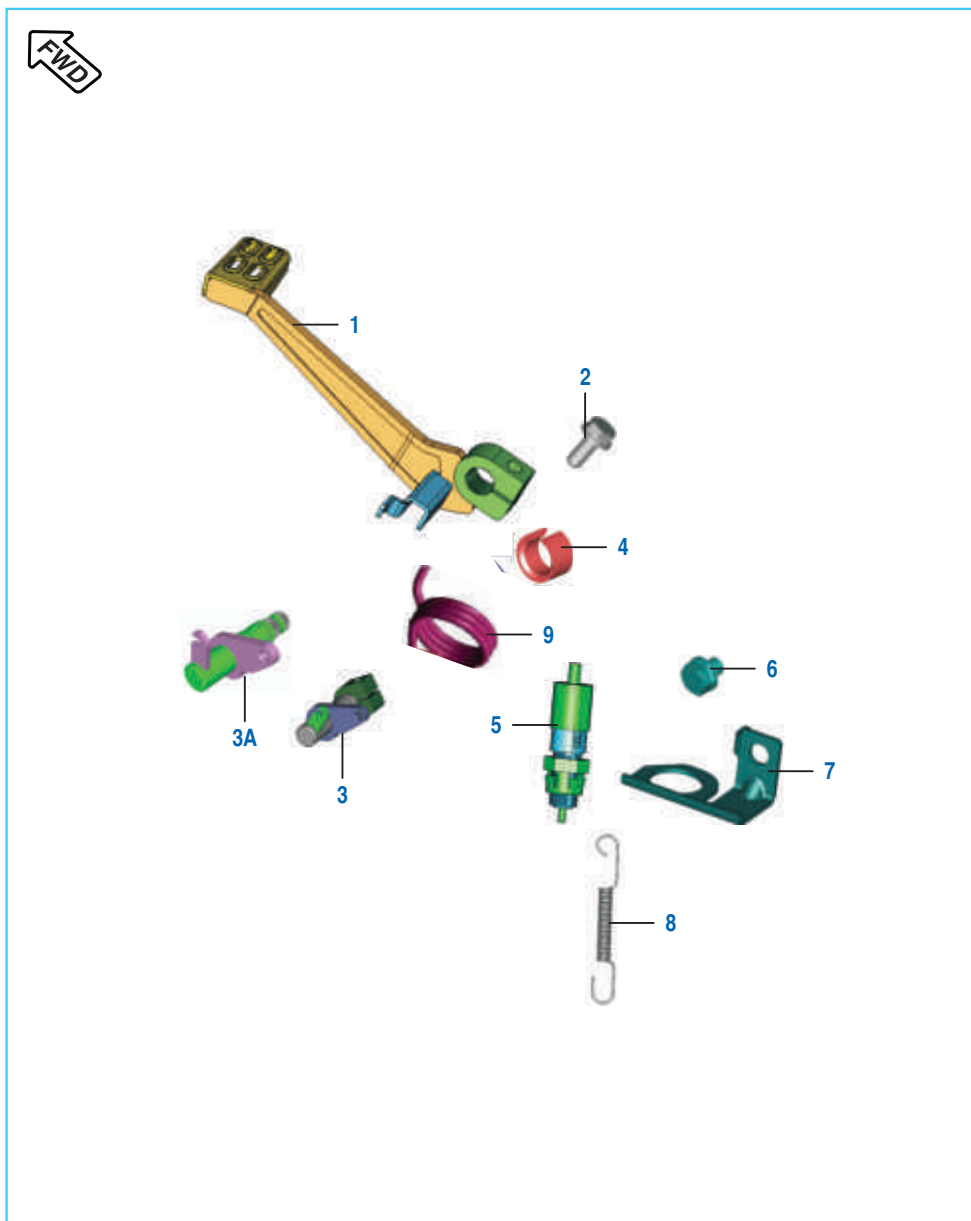
No.	Part No.	Description	Qty.		Remarks
			200 NS	200 AS	
1	DK 1510 36	Lock Set	1	1	
2	36 JL00 09	Kit Chain Sprocket	1	1	Refer Page No.107
3	39 2241 20	Bearing - Ball	1	-	
	KP BC62 02	Bearing - Ball	1	1	For NS from ABS
4	39 2242 20	Bearing - Ball	1	-	
	KP BC63 02	Bearing - Ball	1	1	For NS from ABS
5	JL 1312 16	Collar Bearing Assy	1	1	
6	JG 1312 19	Coupling Rubber	1	-	
	JL 1312 32	Coupling Rubber	-	1	
7	JL 1312 25	Coupling	1	1	
8	DK 1510 13	Bearing Coupling	1	1	
	KP AC60 05	Bearing Ball	1	-	For ABS Model
9	DK 1510 12	Oil Seal	2	2	
	30 1510 82	Oil Seal	2	-	Model BS IV
10	LA A000 19	D Bolt	6	6	
11	JL 1312 26	Washer 6 Rubber	3	3	
12	LC A000 09	Nut	6	6	
	LC L000 04	Nut U Flange	6	-	Model ABS
13	JL 1312 03	Axle	1	1	
14	DK 1510 15	Sleeve	1	1	
15	JL 1312 11	Spacer for Coupling	1	1	
16	JL 1312 18	Disc Rear	1	-	
	52 JL01 42	Assly Disc Rr JL Khi (black)	1	1	Ref. Ser. Cir. D-62
17	39 2038 04	Bolt Hex	6	6	
18	LD B000 29	Washer	2	2	
19	LC J000 02	Nut - U	1	1	
20	DK 1510 81	Spacer I	1	1	
21	DK 1510 82	Spacer II	1	1	
22	JU 1318 02	Sensor Disc Rear	1	--	For ABS Model
23	39 0746 01	Screw	3	--	For ABS Model
24	DT 4024 04	Wheel-Speed Sensor (ABS)	1	--	For ABS Model

Rear Disc Brake System



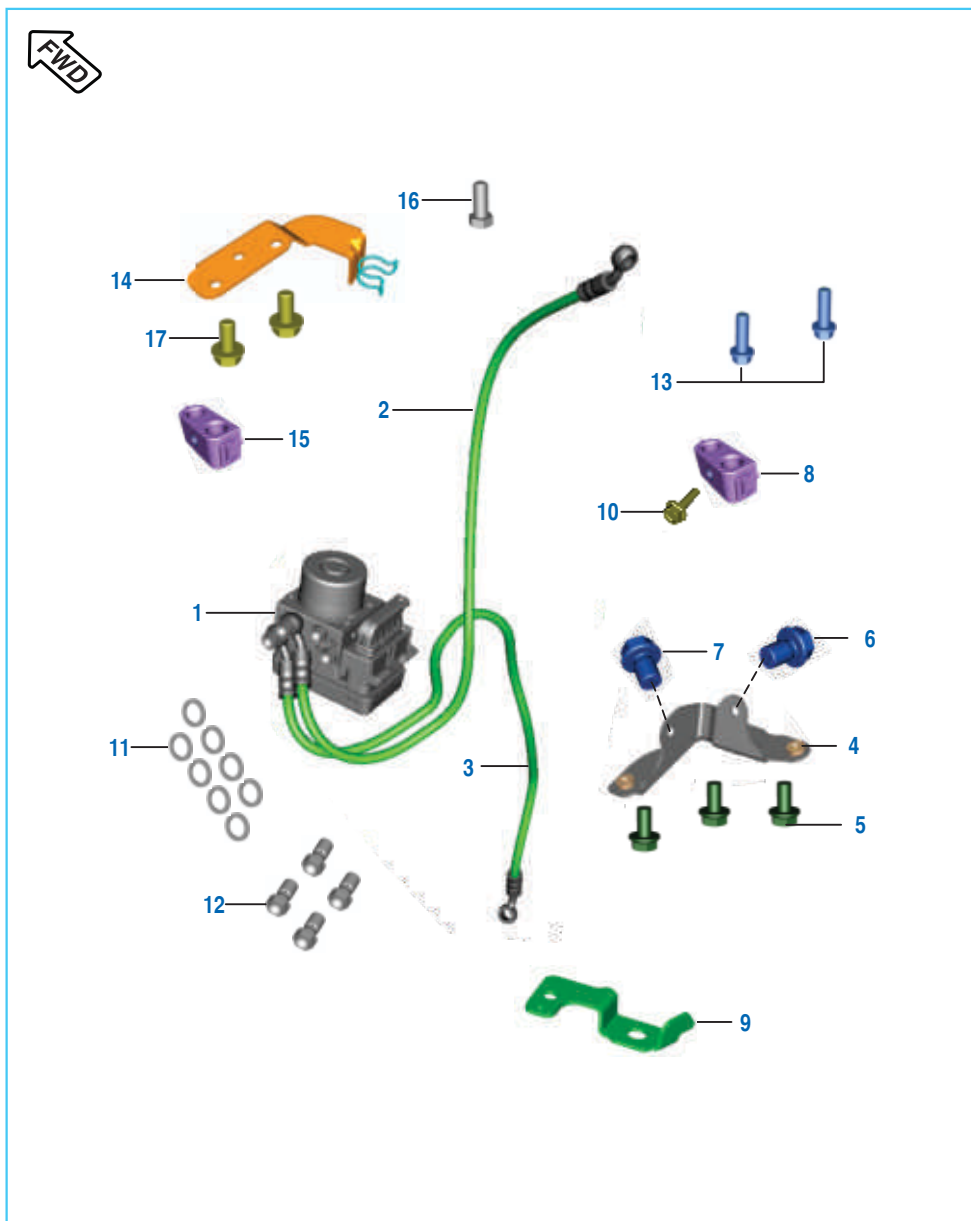
No.	Part No.	Description	Qty.		Remarks
			200 NS	200 AS	
1	DK 1510 83	Assembly Caliper	1	1	
	JL 1318 34	Assembly Caliper	1	-	Model BS IV
	DT 1318 26	Assembly Caliper	1	-	For ABS Model
2	DK 1510 31	Assembly Master Cyl. Rear	1	1	
	JL 1319 31	Assly Cylinder Master Brake Rr	1	-	Model BS IV
	DT 1318 66	Assly Cylinder Master Brake Rr	1	-	For ABS Model
3	JL 1318 03	Hose Disc Brake Rear	1	1	
4	DK 1510 69	Banjo Bolt	2	2	
5	JG 1318 21	Reservoir Rear Brake	1	1	Without Cap
6	JL 1312 20	Hose - Reservoir	1	1	
7	DK 1510 63	Clip Reservoir	1	1	Cap Reservoir
8	DE 1910 10	Copper Washer	4	4	Banjo Bolt
9	DE 1510 47	Cap Bleeder Screw	1	1	
10	DE 1510 46	Bleeder Screw	1	1	
11	DK 1510 88	Caliper Piston Kit	1	1	
	YJ L040 05	Caliper Piston Kit	1	--	For ABS Model
12	DK 1510 89	Caliper Piston Seal Kit	1	1	
	YJ L040 06	Caliper Piston Seal Kit	1	--	For ABS Model
13	DK 1510 85	Set Disc Pad	1	1	
14	30 1910 38	Pin	1	1	
15	39 0198 11	Washer	1	1	
	LD B000 18	Washer Plain	1	-	Model BS IV
16	39 0808 08	Split Pin	1	1	
17	DK 1510 73	Master Cyl. Major Kit	1	1	N.I.
	36 DT00 39	Master Cyl. Major Kit	1	--	For ABS Model
18	DK 1510 74	Master Cyl. Minor Kit	1	1	N.I.
	36 DT00 40	Master Cyl. Minor Kit	1	--	For ABS model
19	DK 1510 45	Cap Reservoir	1	1	
20	36 JG00 83	Kit Brake Fluid Reservoir	1	1	
21	39 2140 04	Bolt Flange	1	1	
	KA DT06 12	Bolt Flanged	1	-	Model BS IV
22	JL 1318 41	Bracket- Reservoir mounting	1	1	Ref Ser. Cir. D-57
23	JL 1318 78	Bracket Reservoir cap	1	1	Ref Ser. Cir. D-57
24	39 2420 01	Screw	1	1	Ref Ser. Cir. D-57
	KB BA05 12	Screw Pan Cross	1	-	Model BS IV
25	JL 1318 77	Clamp Hose Reservoir	1	1	Ref Ser. Cir. D-59
26	KA DD06 14	Flanged Bolt	1	1	
27	KA DF06 16	Bolt Flanged	2	2	

Rear Brake Pedal



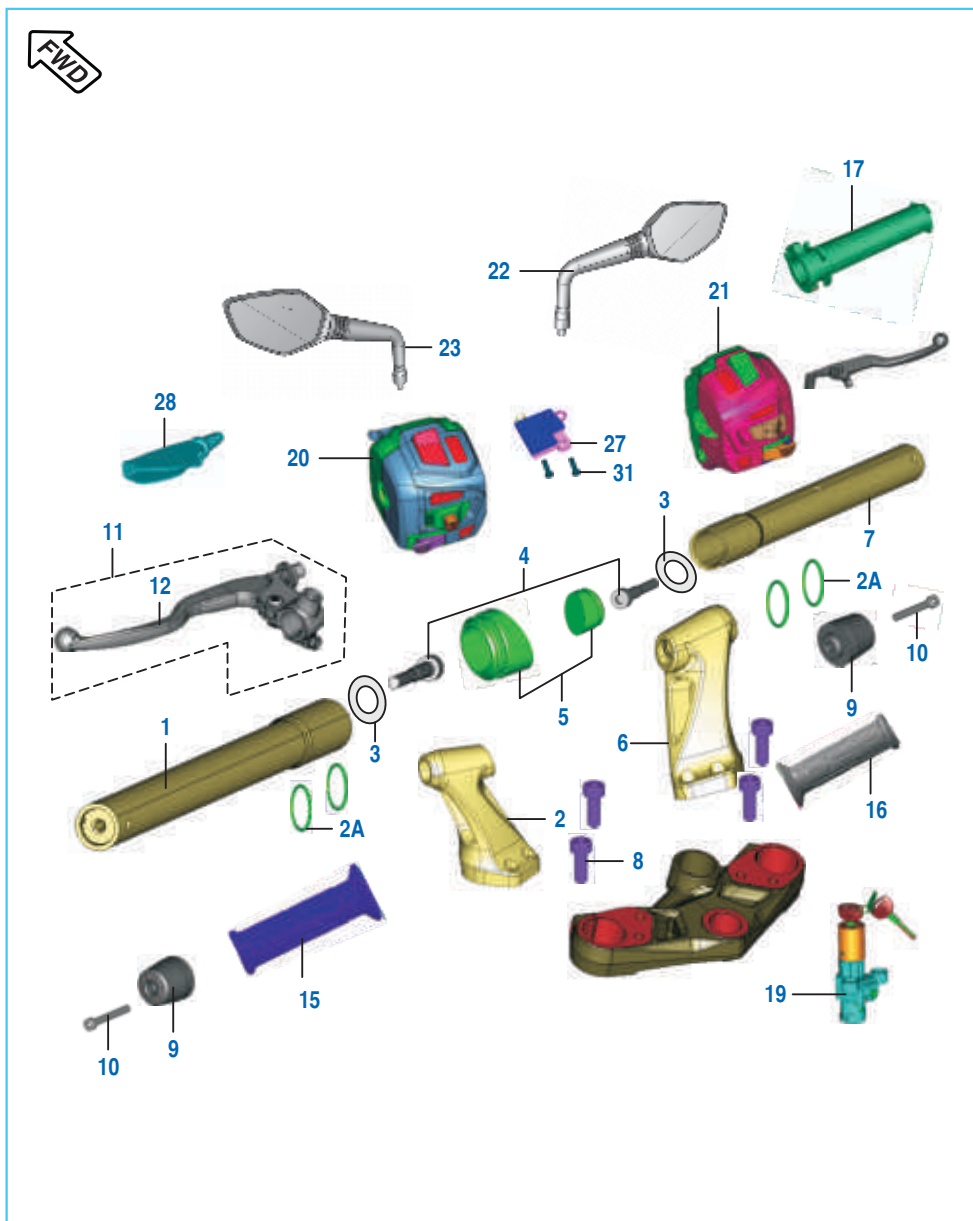
No.	Part No.	Description	Qty.		Remarks
			200 NS	200 AS	
1	JL 1610 01	Brake Pedal	1	1	
2	39 1769 04	Bolt - Flanged : M8	1	1	
3	JL 1610 10	Shaft Assy Brake Lever	1	1	
3A	JL 1319 28	Assembly Brake Shaft	1	-	Model ABS
4	DH 1910 13	Spacer Brake Shaft assly.	1	1	
5	31 2010 79	Switch - Rear Brake	1	--	
	JL 4014 06	Switch - Rear Brake	--	1	
6	39 2475 04	Hex. head bolt	1	--	
	KA EA06 08	Bolt Flanged	--	1	
7	JL 1130 33	Bracket Rear brake switch	1	1	
8	JL 1610 06	Spring Rear Brake Switch	1	1	
9	DH 1910 06	Spring - Brake Pedal	1	1	

Anti Lock Brake System



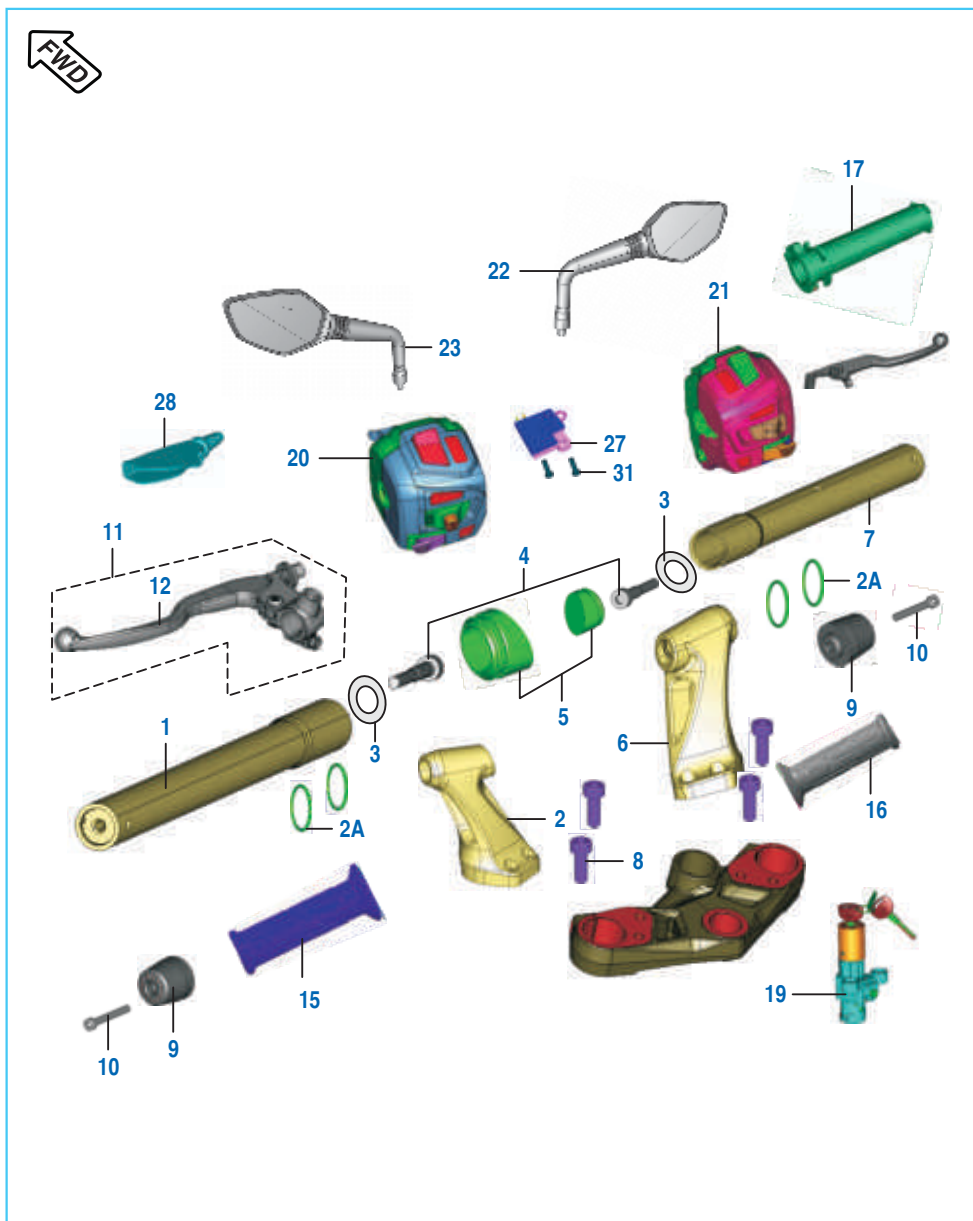
No.	Part No.	Description	Qty.		Remarks
			200 NS ABS	200 AS	
1	JL 1319 26	ABS Unit - K16A (1CH ABS)	1	-	
2	36 JL01 41	Hose M Cylinder to ABS Unit	1	-	
3	36 JL01 42	Hose Caliper to ABS	1	-	
4	DT 1138 50	Bracket Front ABS Mtg Loose	1	-	
5	LA E000 21	Bolt Flanged	3	-	
6	KA ED06 12	Bolt Flanged	1	-	
7	KA ED06 08	Bolt Flanged	1	-	
8	DT 1318 75	Clamp For ABS	4	-	
9	DT 1318 37	BRACKET HOSE CLAMP ABS	1	-	
10	KA EA06 22	Flanged Bolt	1	-	
11	DE 1910 10	Copper Washer	8	-	
12	DK 1510 69	Benjo Bolt	4	-	
13	39 1958 04	Bolt Flanged	2	-	
14	DT 1318 32	Clamp Brake Hose	1	-	
15	DT 1318 49	Clamp Brake Hose	3	-	
16	KA AB08 20	Bolt M8	1	-	
17	KA DA06 12	Flanged Bolt	2	-	

Handle Bar Assly



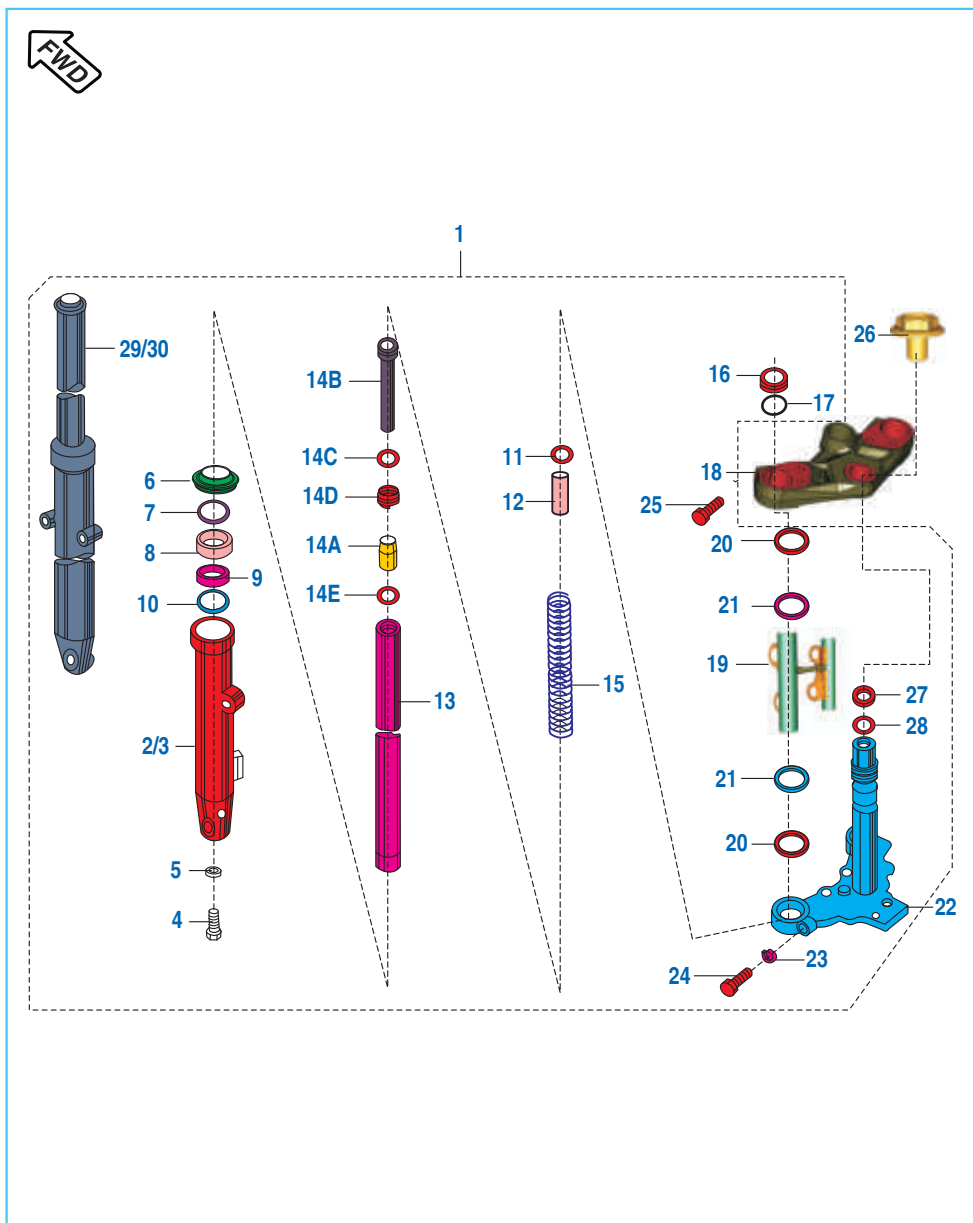
No.	Part No.	Description	Qty.		Remarks
			200 NS	200 AS	
1	JL 1510 21	Handle Bar Tube LH assly.	1	1	
2	JL 1510 26	Holder Handle LH	1	-	
	56 JL31 5X	Handle Holder LH Stoic Black	1	1	Ref. Ser. Cir. D-62
2A	JL 1510 38	O ring	4	4	
3	39 1180 11	Washer - Plain	2	-	
	KD BA08 18	Washer - Plain	-	2	
4	LA C000 20	Bolt Socket M8X1.25Px55L	2	2	
5	JL 1510 28	Plug Handle Holder	2	2	
6	JL 1510 30	Holder Handle RH	1	-	
	56 JL32 5X	Handle Holder RH Stoic Black	1	1	Ref. Ser. Cir. D-62
7	JL 1510 34	Handlebar Tube Assy RH	1	1	
8	DG 1810 08	Bolt - Socket	4	4	
	LA C000 59	Bolt - Socket	4	--	Model ABS
9	JL 1510 35	Handlebar Weight	2	2	
10	39 2427 04	Bolt - Hex Socket Head	2	2	
11	DJ 1910 82	Lever & Holder Assly LH	1	-	
	JL 1610 13	Lever & Support Holder Assy	1	-	Model BS IV
	JL 1610 15	Lever & Holder Assly LH	-	1	
12	DJ 1910 83	Lever LH For New CI Switch	1	-	
	JG 1610 08	Lever LH For New CI Switch	-	1	
13	DJ 2012 46	Clutch Switch (6Amp Diode)	1	--	N.I.
	JL 4014 11	Clutch Switch	--	1	N.I.
15	JL 1610 03	Handle Grip LH	1	1	

Handle Bar Assly



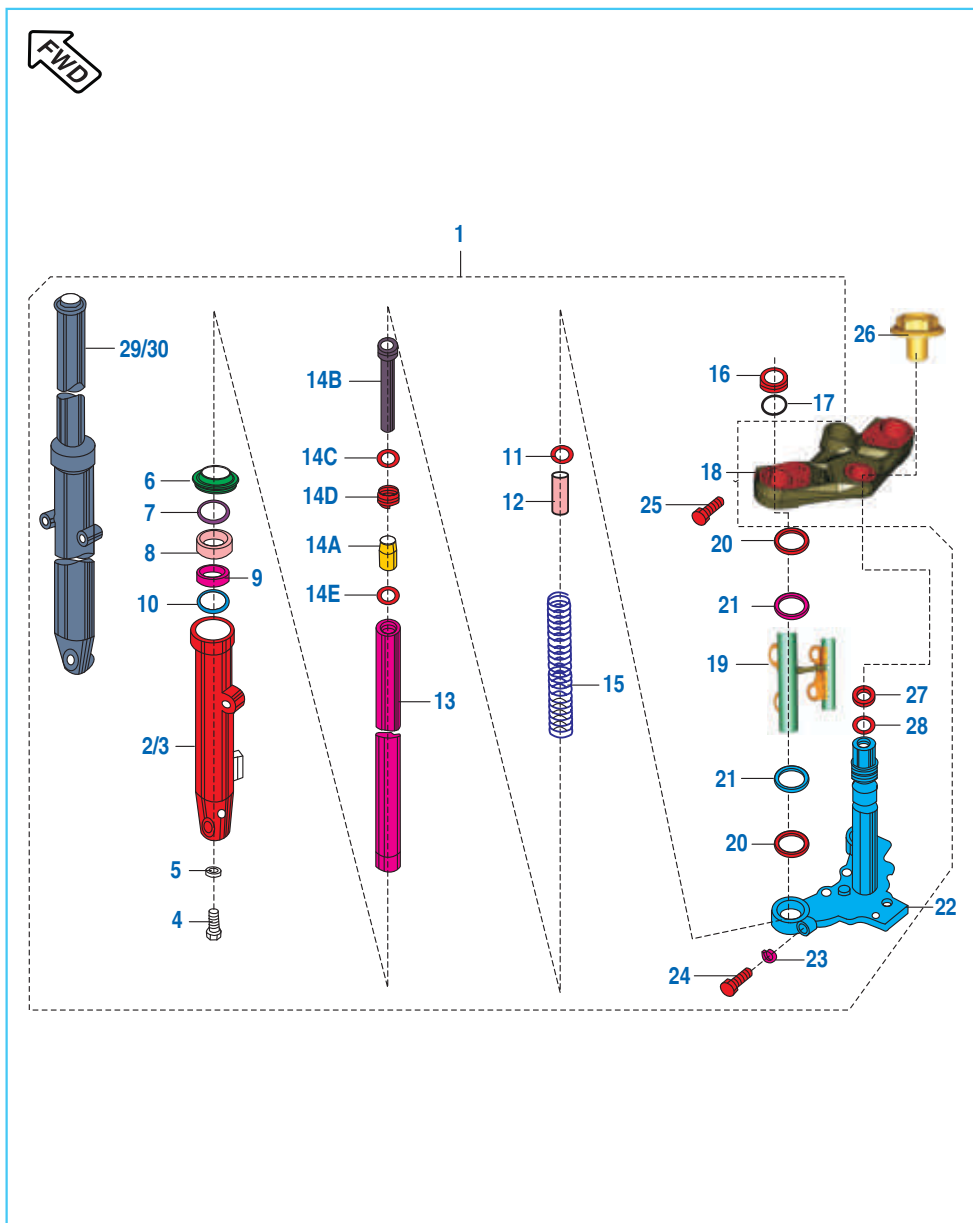
No.	Part No.	Description	Qty.		Remarks
			200 NS	200 AS	
16	JL 1610 08	Grip Hand Assy RH	1	-	
	DT 1610 05	Grip Hand Assy RH	--	1	Includes Pipe Throttle
17	DH 1910 17	Pipe - Throttle	1	-	
	JG 1510 22	Pipe - Throttle	1	-	Model BS IV
18	JL 1510 23	Lock Set 3 In 1	1	-	
	JL 2326 05	Lock Set 3 In 1 + Tank Cap	1	-	Model BS IV
	DT 2326 01	Lock Set 3 In 1	-	1	
19	JL 4014 03	Switch Ignition	1	-	
20	JL 4014 00	Switch Control LH	1	-	
	JL 4014 09	Switch Control LH	-	1	
21	JL 4014 01	Switch Control RH	1	--	
	JL 4014 05	Switch Control RH AHO	1	--	Model BS IV
22	JL 2316 01	Mirror Assy RH	1	1	
23	JL 2316 00	Mirror Assy LH	1	1	
24	JL 1510 53	Hook Clutch Cable	--	1	Mounted on upper bkt
25	JL 1510 54	Hook Throttle Cable	--	1	Mounted on upper bkt
26	LA DA06 10	Flanged Bolt	--	2	Mounted on upper bkt
27	DJ 2011 09	Front Brake Switch (Minda)	1	-	Model BS IV
28	DS 1910 52	Lever Boot LH	1	-	Model BS IV

Front Fork



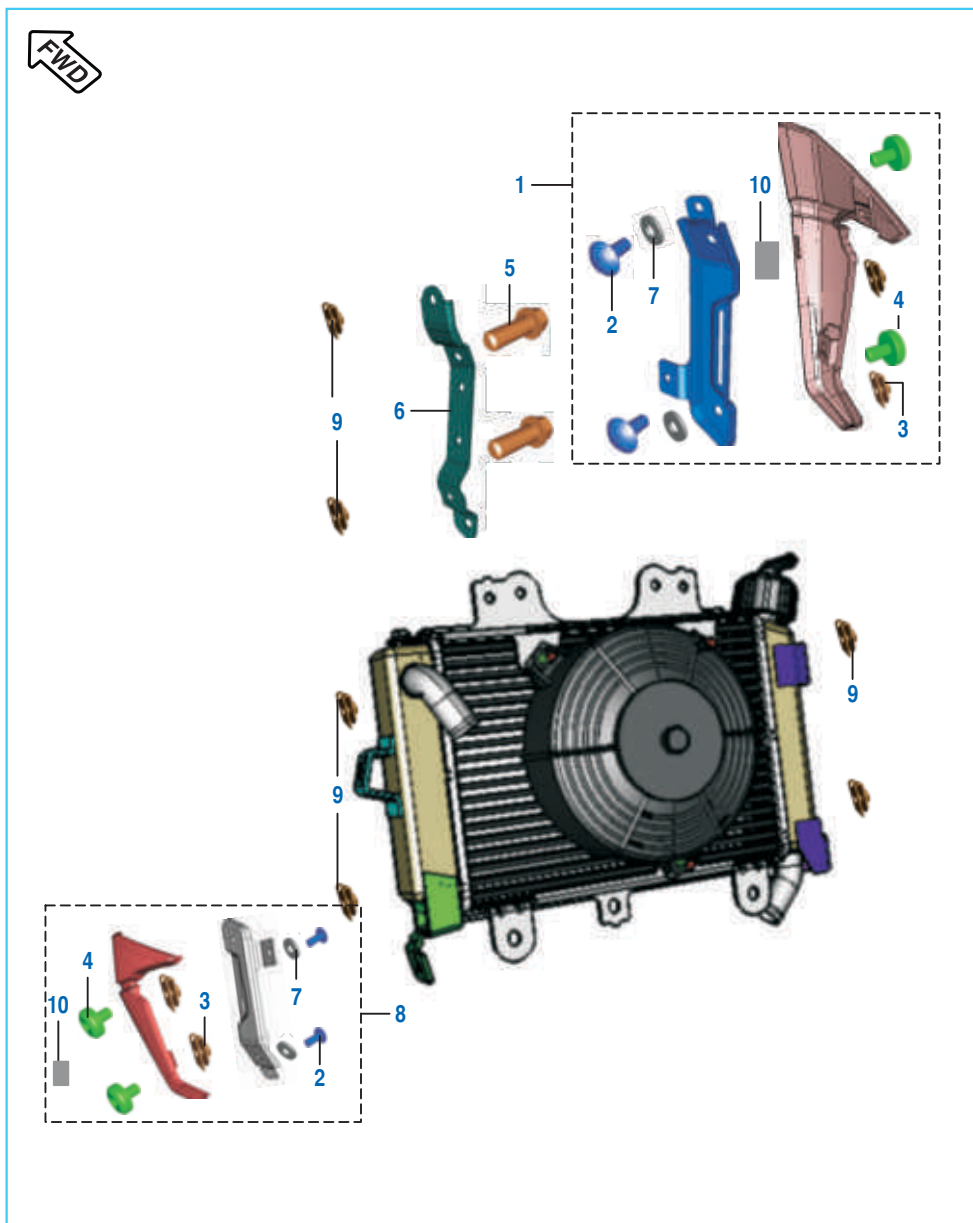
No.	Part No.	Description	Qty.		Remarks
			200 NS	200 AS	
1	JL 1510 24	Fork Assembly Front	1	1	
	JL 1210 05	Fork Assembly ABS - K16	1	-	Model BS IV
2	JL 1510 02	Tube Outer LH	1	1	
3	JL 1510 03	Tube Outer RH	1	1	
	DT 1210 40	Tube Outer RH	1	-	Model BS IV
4	DK 1810 06	Socket Headed Bolt -M10	2	2	
5	DK 1810 07	Copper Washer	2	2	
6	DK 1810 21	Inner Dust Seal	2	2	
7	DK 1810 18	Washer Seal	2	2	
8	DK 1810 19	Oil Seal	2	2	
9	DK 1810 17	Guide Bush	2	2	
10	DK 1810 20	Oil Seal Stopper	2	2	
11	DK 1810 15	Washer	2	2	
12	JL 1510 12	Spacer Tube	2	2	
13	JL 1510 04	Fork Pipe Inner	2	2	
	JL 1210 08	Fork Pipe Inner	2	-	Model BS IV
14A	DK 1810 09	Cap Oil Lock	2	2	
14B	DK 1810 10	Seat Pipe	2	2	
14C	DK 1810 12	Piston Ring	2	2	
14D	DK 1810 13	Rebound Spring	2	2	
14E	DK 1810 11	Slide Bush	2	-	Model BS IV
15	JL 1210 01	Spring Main Spring	2	2	

Front Fork



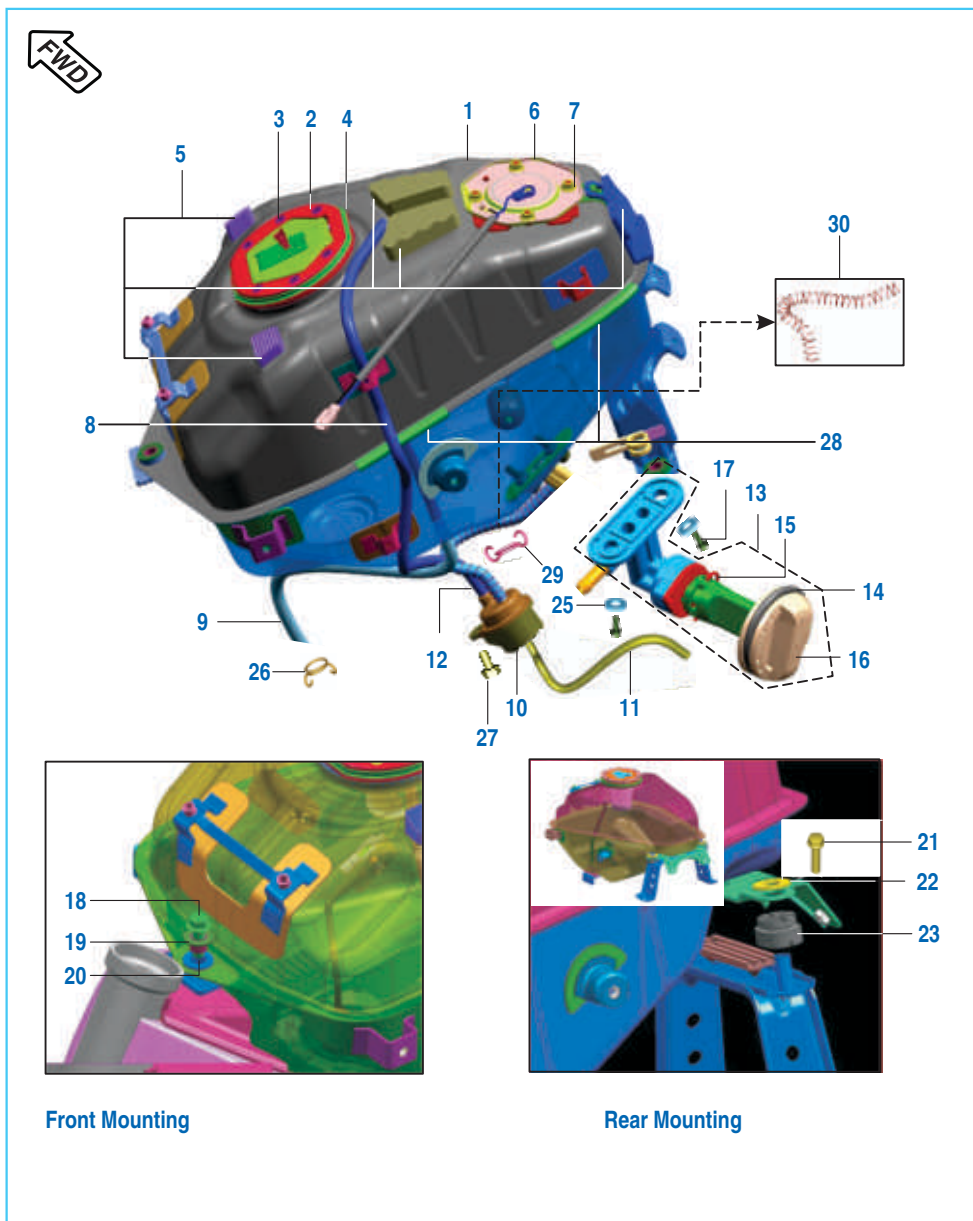
No.	Part No.	Description	Qty.		Remarks
			200 NS	200 AS	
16	DK 1810 22	Fork Bolt	2	2	
17	DK 1810 23	O' Ring	2	2	
18	JL 1510 32	Upper Bracket	1	-	
	56 JL33 5X	Upper Bracket Stoic Black	1	1	Ref. Ser. Cir. D-62
19	JL 1812 35	Lamp Shade Assy	1	-	
20	JC 1810 23	Cover Cushion	4	-	
21	JC 1810 22	Cove Trail B	4	-	
22	JL 1510 37	Under Bkt Assy Complete	1	1	
23	DK 1810 25	Spring Washer	2	2	
24	DK 1810 28	Bolt	2	2	
25	DG 1810 08	Bolt - Socket	2	2	
26	JL 1510 36	Steering Top Bolt	1	-	
	JY 1510 11	Steering Top Bolt	-	1	
27	DG 1810 04	Oil Seal	1	1	
28	DG 1810 03	Washer	1	1	
29	JL 1210 07	Assembly Leg LH - K16A ABS	1	-	Model BS IV
30	JL 1210 06	Assembly Leg RH - K16A ABS	1	-	Model BS IV

Radiator Covers



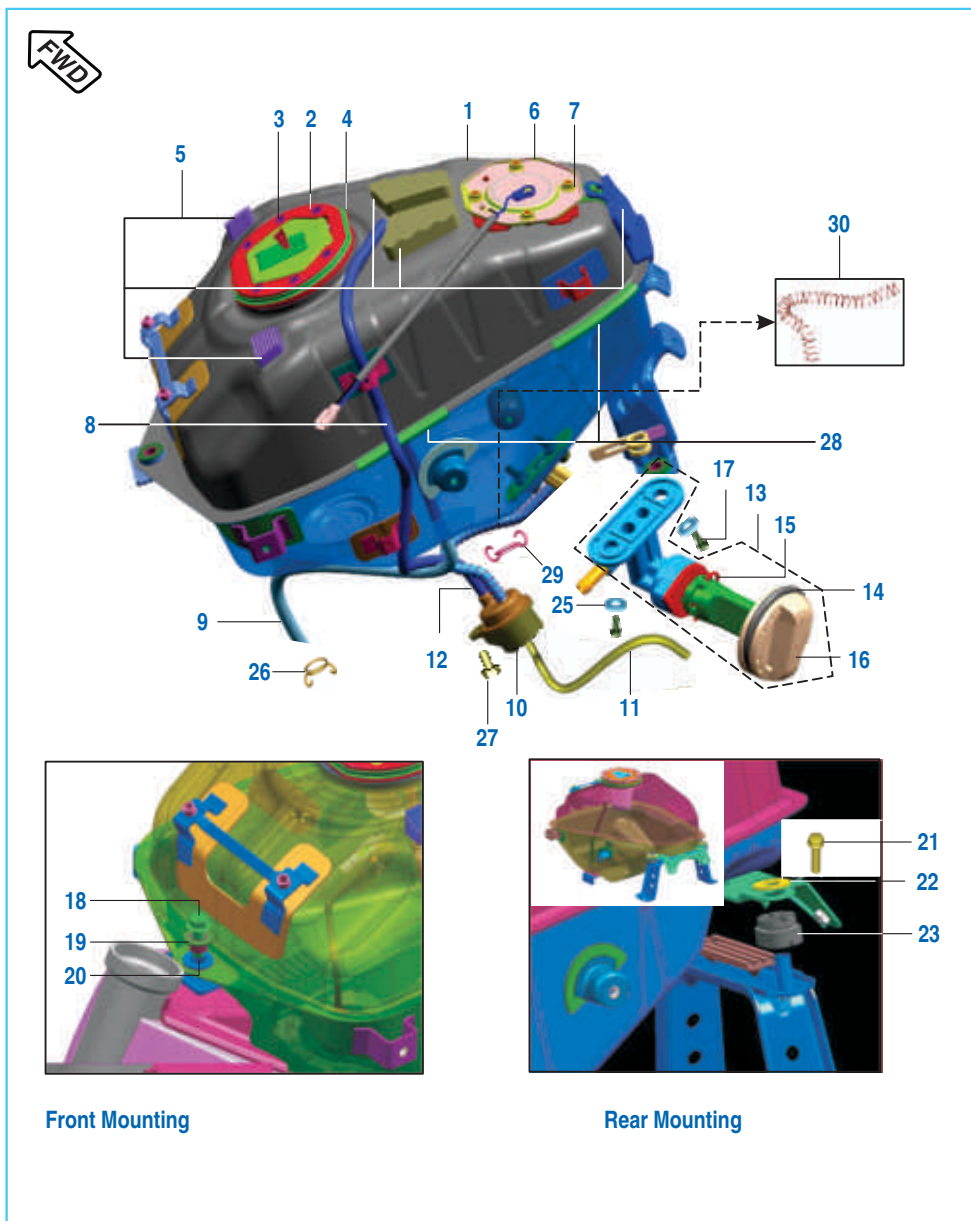
No.	Part No.	Description	Qty.		Remarks
			200 NS	200 AS	
1	JL 1810 19	Shroud Assy RH	1	-	Model BS IV
	JL 1813 18	Shroud Assembly RH	1	-	
	JL 1814 52	Shroud Assy RH	--	1	
2	KB UB05 12	Screw Truss	4	4	
3	JW 1812 36	Clip Nut M5	4	4	
4	KB UA06 12	Screw - Truss	4	4	
5	39 1672 04	Bolt - Flange : M6 X 16	2	2	
6	JL 1812 32	Shroud Mtg Bkt RH	1	1	
7	39 2141 24	Washer			Model BS IV
		(Non Metallic Round Washer)	4	4	
8	JL 1813 17	Shroud Assembly LH	1	1	
9	DJ 1810 65	Clip Nut M5	4	4	
10	JB 1812 23	Beading Speedo Flap	2	2	

Petrol Tank, Cap Tank and Gauge Fuel



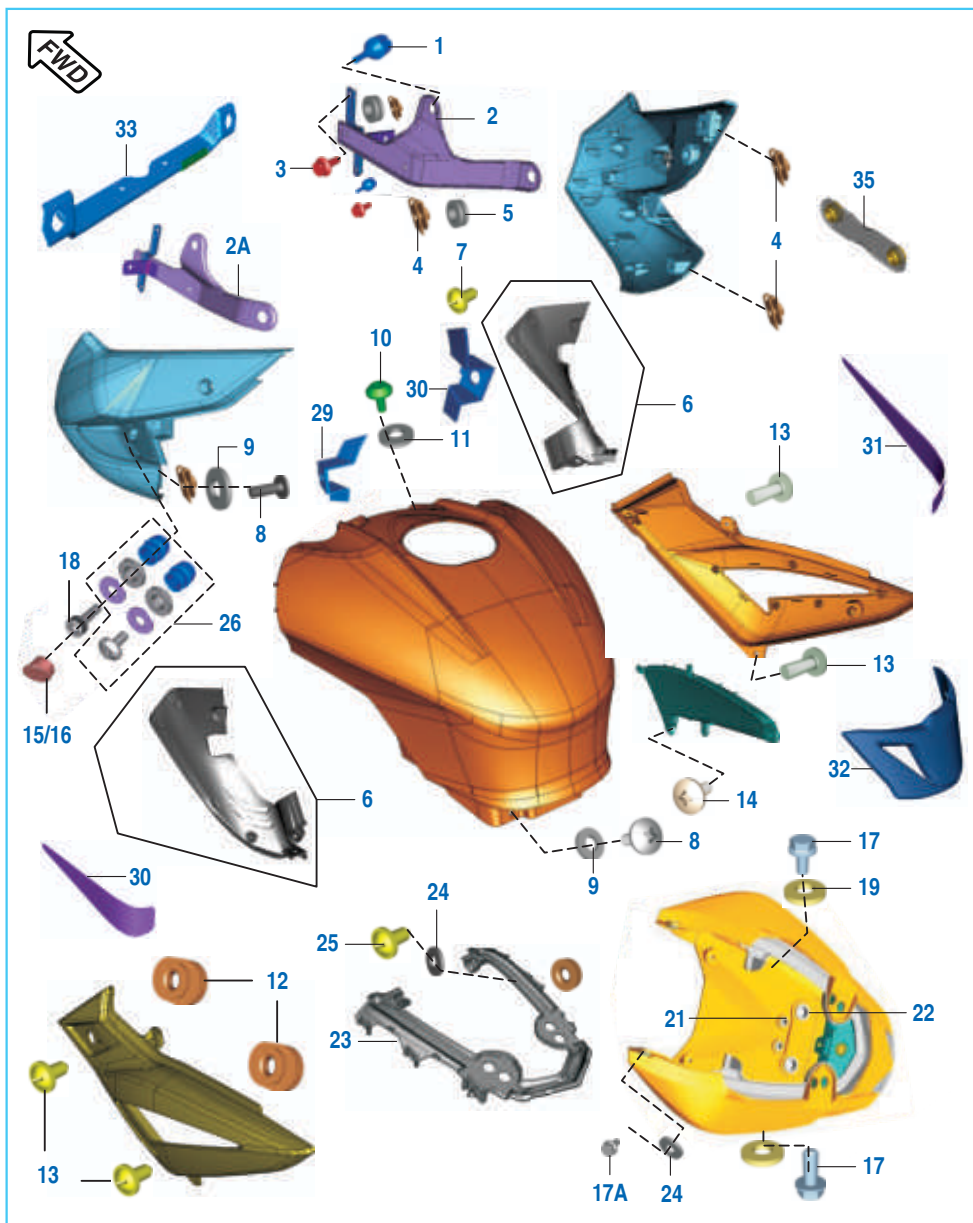
No.	Part No.	Description	Qty.		Remarks
			200 NS	200 AS	
1	JL 1710 44	Tank Assembly	1	-	
	JL 1710 81	Tank Assembly	1	1	Ref. Ser. Cir. D-60
	JL 1718 10	Fuel Tank Assly Fuel Cock	1	1	Model BS IV
2	JL 1716 00	Cap Tank	1	-	
	56 JL04 01	Cap Tank (Moon Light Silver)	1	1	Ref. Ser. Cir. D-62
	JL 2326 05	Lock Set 3 In 1 + Tank Cap	1	-	Model BS IV
	DT 2326 06	Lock Set 3 IN 1 - EVAP	1	-	Alternate part number
3	39 2381 04	Bolt - Socket Head M5	6	-	
	KA CB05 16	Bolt Master	-	6	
4	JL 1710 49	Damper Ring Tank Cap	1	1	
	36 JI00 12	Kit Tank Damper	1	1	
6	JL 4026 00	Sensor Fuel Level	1	-	
	JL 4026 02	Sensor Fuel Level	1	1	Ref. Ser. Cir. D-60
6A	39 2758 21	'O' ring for Fuel Sensor	1	1	N.I.
7	39 2484 15	Nut - Flange M5	4	-	
	KC GA05 05	Nut - Flange	4	4	
8	JL 1710 37	Breather Tube	1	1	
9	JL 1710 63	Pipe - Drain	1	1	
10	JL 1718 02	Filter Inline	1	1	
11	JL 1710 36	Tube Fuel (Carburettor)	1	1	
12	JL 1710 35	Tube Fuel (Tank)	1	1	
13	JL 1718 00	Tap Fuel Assembly	1	1	
14	JL 1710 60	O Ring-For Knob	1	1	
15	JL 1718 03	Pin Snap For Knob	1	1	

Petrol Tank, Cap Tank and Gauge Fuel



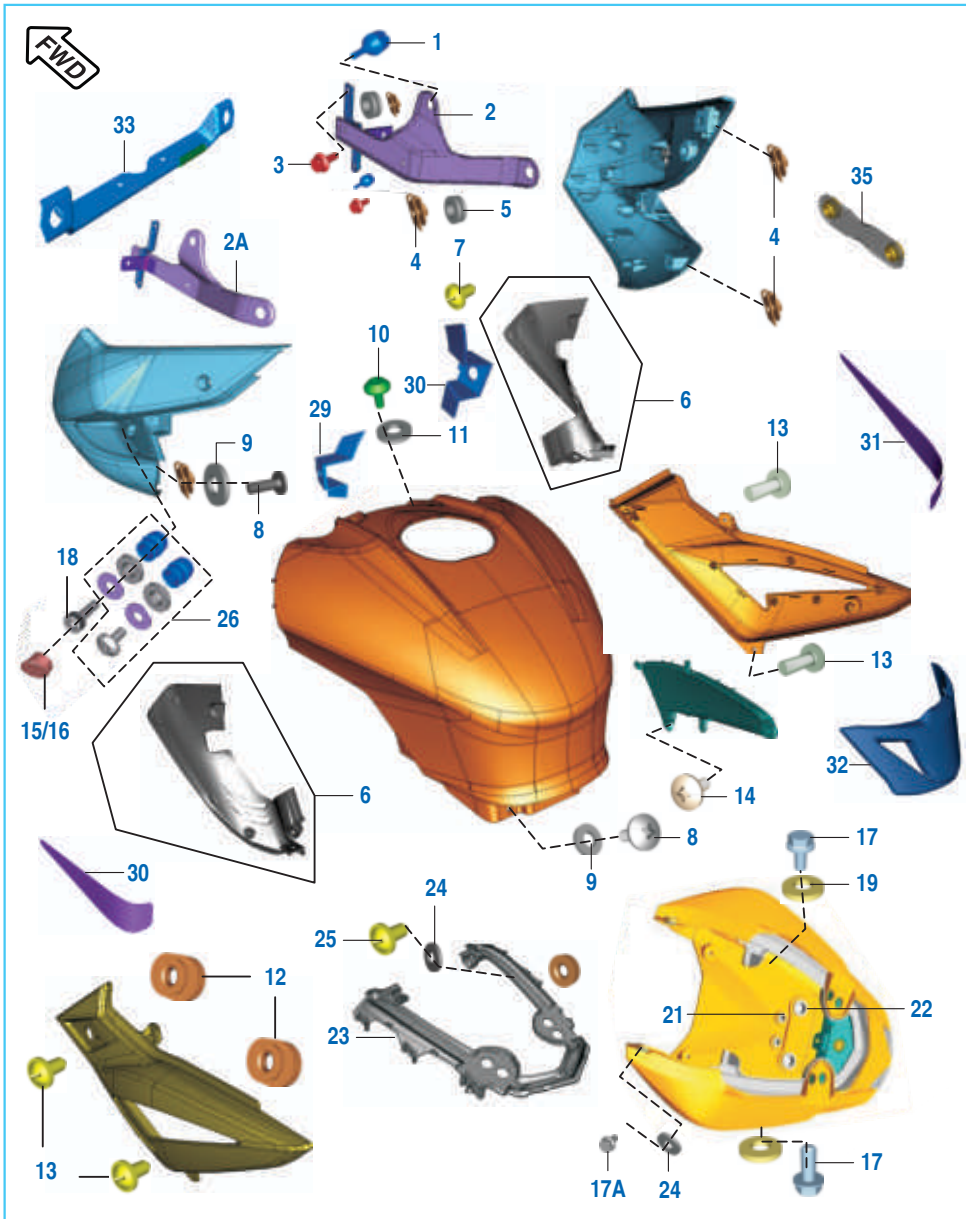
No.	Part No.	Description	Qty.		Remarks
			200 NS	200 AS	
16	JL 1718 01	Knob Fuel Tap	1	1	
17	DD 1412 27	Bolt - Flanged	2	2	Model BS IV
18	39 1946 04	Bolt Tank mtg Front	1	3	
19	JL 1710 19	Sleeve Tank Mtg Front	3	3	
20	JL 1710 18	Grommet Tank Mtg Front	1	1	
21	39 1943 04	Bolt	2	-	
22	39 1054 11	Washer Plain	2	-	
23	JL 1710 20	Grommet Tank Mtg Rear	2	2	
24	JL 1710 96	Sealing Ring Fuel Cock	1	1	N.I.
25	39 0740 11	Washer (non Metallic)	1	--	Model BS IV
26	DG 1410 28	Clamp	1	-	Model BS IV
27	KA DD06 12	Bolt Flanged	1	-	Model BS IV
28	JL 1710 38	Beading Tank LH	2	-	
29	BA 1220 03	Pipe Clip	6	-	Model BS IV
30	JL 1710 85	Spring Fuel Tube	1	-	Model BS IV

Fittings - Petrol Tank Cover, Side Covers & Cover Seat



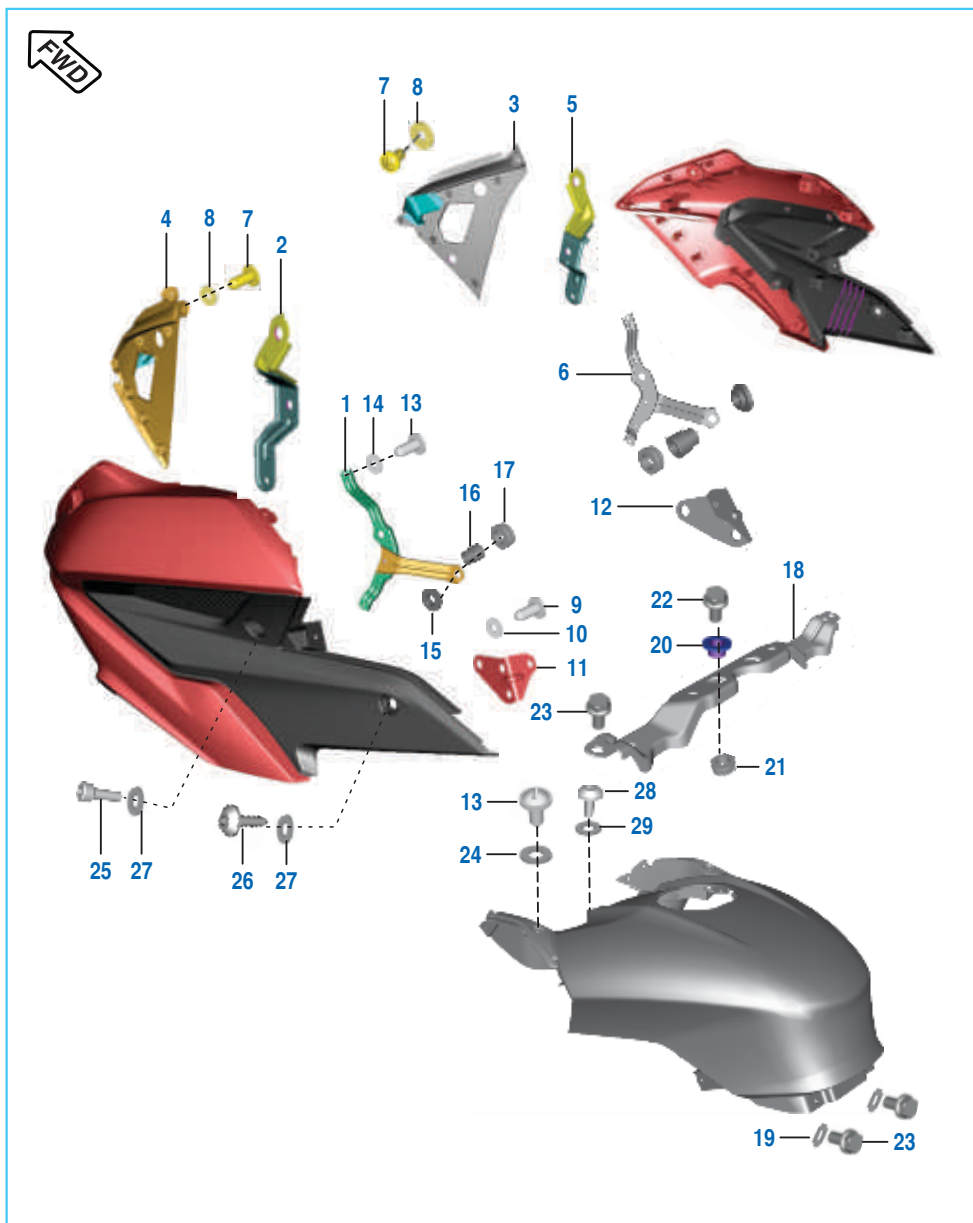
No.	Part No.	Description	Qty.		Remarks
			200 NS	200 AS	
1	JL 1710 57	Damper	4	-	
2	JL 1710 99	Bracket Side Cover Mtg LH	1	-	
	JL 1138 32	Bracket Side Cover Mtg LH	1	-	Model BS IV
2A	JL 1710 22	Bracket Side Cover Mtg RH	1	-	
	JL 1710 99	Bracket Side Cover Mtg RH	1	-	Model BS IV
3	39 2060 04	Bolt - Flanged	4	-	
4	DJ 1612 29	Clip Nut	16	-	
5	JL 1710 24	Damper Structure Mtg	2	-	
6	JL 1710 48	Tank Cover Central	1	-	
7	39 1778 02	Screw - Tapping : 4 X 14	12	--	Center Cowling Mtg.
8	39 1907 01	Screw - Truss Cross : M5	8	-	
	LB U000 09	Screw	2	--	Ref. Ser. Cir. D-62
	KB UB05 16	Screw Truss	8	-	Model BS IV
9	39 2141 24	Washer	8	-	
10	LA C000 22	Bolt Socket-Special Head	4	-	
11	31 1610 78	Washer	4	-	
12	JL 1812 93	Grommet Side Cover	4	--	Ref. Ser. Cir. D-62
	DH 1611 58	Grommet Side Cover RR	2	-	Model BS IV
13	39 1781 01	Screw	4	-	
14	59 0200 01	Screw Self Tapping 3.5X9.5	10	--	
15	JL 1710 62	Cover Mesh Rh	1	-	
16	JL 1710 61	Cover Mesh LH	1	-	
17	59 0400 14	Bolt Flanged M6X1	4	-	

Fittings - Petrol Tank Cover, Side Covers & Cover Seat



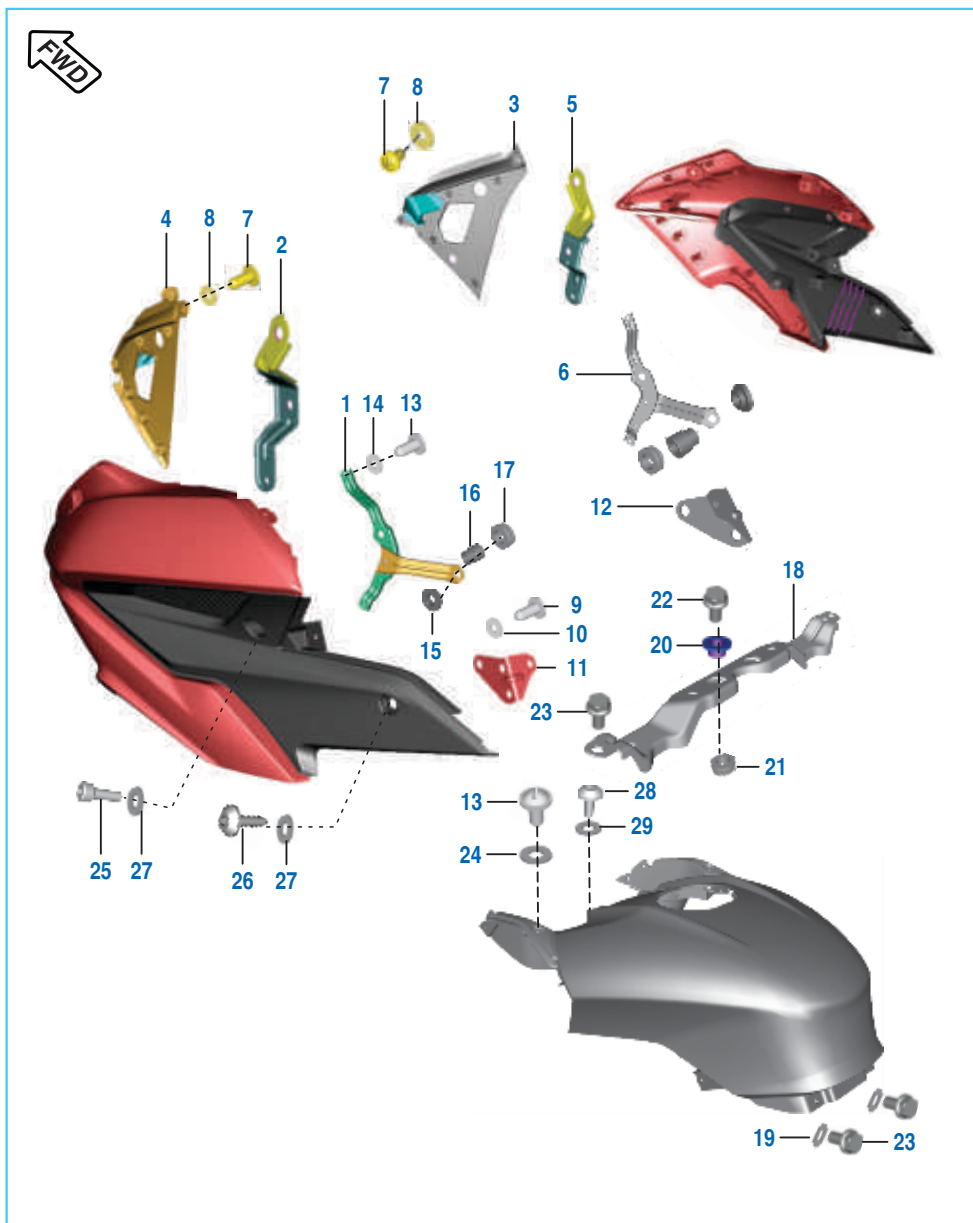
No.	Part No.	Description	Qty.		Remarks
			200 NS	200 AS	
17A	39 1943 04	Bolt - Flanged	2	-	
18	39 1197 04	Bolt - Socket : M6	2	-	
19	39 0239 11	Washer	2	-	
20	39 1076 01	Screw - M6	2	-	
21	DL 1610 15	Grommet	2	-	
22	JL 1812 19	Grommet	2	-	
	JL 1812 20	Grommet - 2 Seat Cowl	2	-	Model BS IV
23	JL 1812 14	Seal cowl inner	1	-	
24	LD A000 07	Washer Plain Small	4	-	
25	39 1776 02	Screw	4	-	
26	36 JL00 31	Kit Tank Cover Mtg Hardware	1	-	
27	KB UA06 12	Screw	2	--	Refer Cir. D-58
28	JL 1718 23	Add-on Bkt LH	-	1	
29	JL 1718 24	Add-on Bkt RH	-	1	
30	JL 1910 08	Seat Tape LH	1	-	Model BS IV
31	JL 1910 09	Seat Tape RH	1	-	Model BS IV
32	JL 1710 78	Pad Tank Cover	1	-	Model BS IV
33	JL 1111 02	Bracket Side Cover Mtg	1	-	Model BS IV
34	JD 1710 18	Duel Lock Tape 3M	1	-	N.I. Model BS IV
35	DT 1138 54	Bracket Fairing Mtg Loose	1	--	Model BS IV

Fittings - Fairing & Tank Cover - Pulsar 200 AS



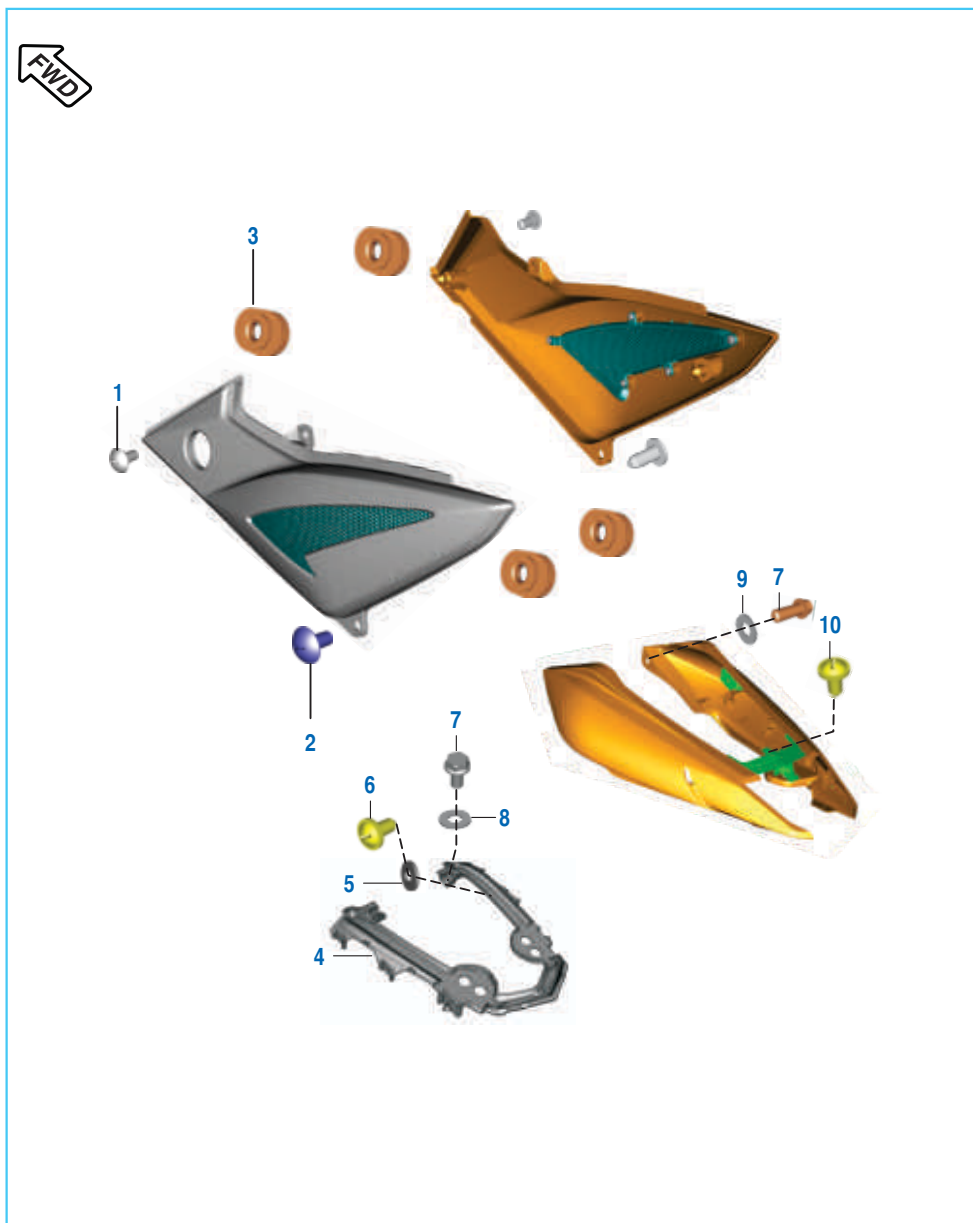
No.	Part No.	Description	Qty.		Remarks
			200 NS	200 AS	
1	JL 1814 49	Bracket Faring Mounting LH	--	1	
2	JL 1814 47	Bracket Blinker Mounting LH	--	1	
3	JL 1814 25	Side Fairing Inner RH	--	1	
4	JL 1814 24	Side Fairing Inner LH	--	1	
5	JL 1814 48	Bracket Blinker Mounting RH	--	1	
6	JL 1814 50	Bracket Faring Mounting RH	--	1	
7	39 1778 02	Screw	--	12	
8	KD AA04 08	Washer Plain	--	12	
9	LB R000 02	Screw Self Tapping	--	6	
10	KD BA05 12	Washer Plain	--	6	
11	JL 1814 56	Bracket Side Fairing Mtg LH	--	1	
12	JL 1814 57	Bracket Side Fairing Mtg RH	--	1	
13	DT 1810 10	Bolt Socket	--	9	
14	KD BA05 12	Washer Plain	--	3	
15	JL 1710 70	Tank Cover Grommet	--	2	
16	JL 1710 71	Tank Cover Mtg Sleeve	--	2	
17	JL 1710 24	Damper Structure Mtg	--	2	
18	JL 1814 32	Fairing Mtg Bkt Middle	--	1	
19	39 2141 24	Washer	--	2	
20	JL 1710 40	Sleeve	--	2	
21	JL 1710 24	Damper	--	2	
22	KA DA06 30	Bolt Flanged	--	2	
23	KA DA05 12	Bolt Flanged	--	4	

Fittings - Fairing & Tank Cover - Pulsar 200 AS



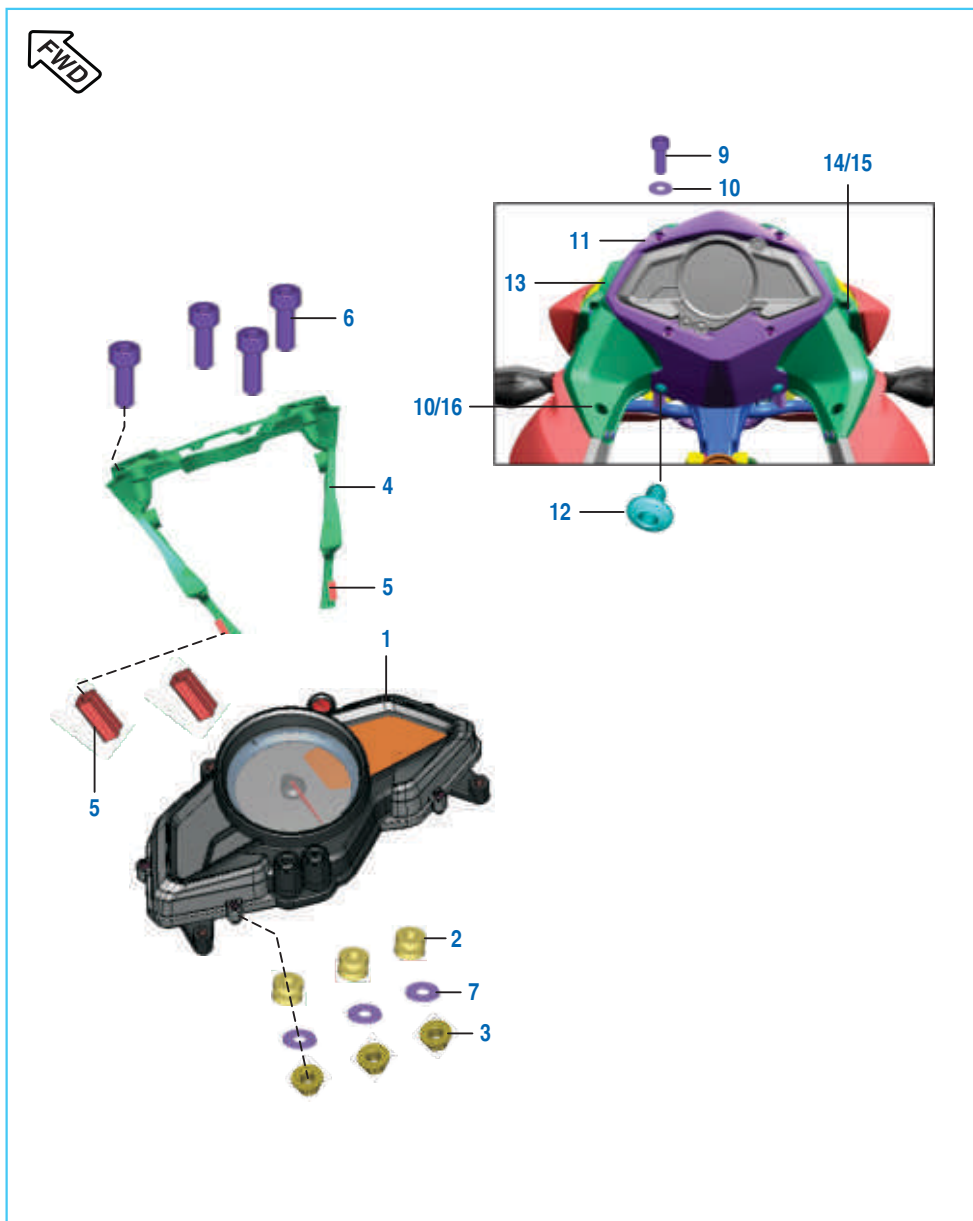
No.	Part No.	Description	Qty.		Remarks
			200 NS	200 AS	
24	KD BB05 12	Washer	--	2	
25	LA C000 63	Bolt Socket	--	2	
26	LA C000 34	Bolt M6	--	2	
27	LD B000 23	Washer Plain	--	4	
28	LA C000 22	Bolt Socket Head	--	2	
29	31 1610 78	Washer Nyloc	--	2	

Fittings - Side Cover & Seat Cowl - Pulsar 200 AS



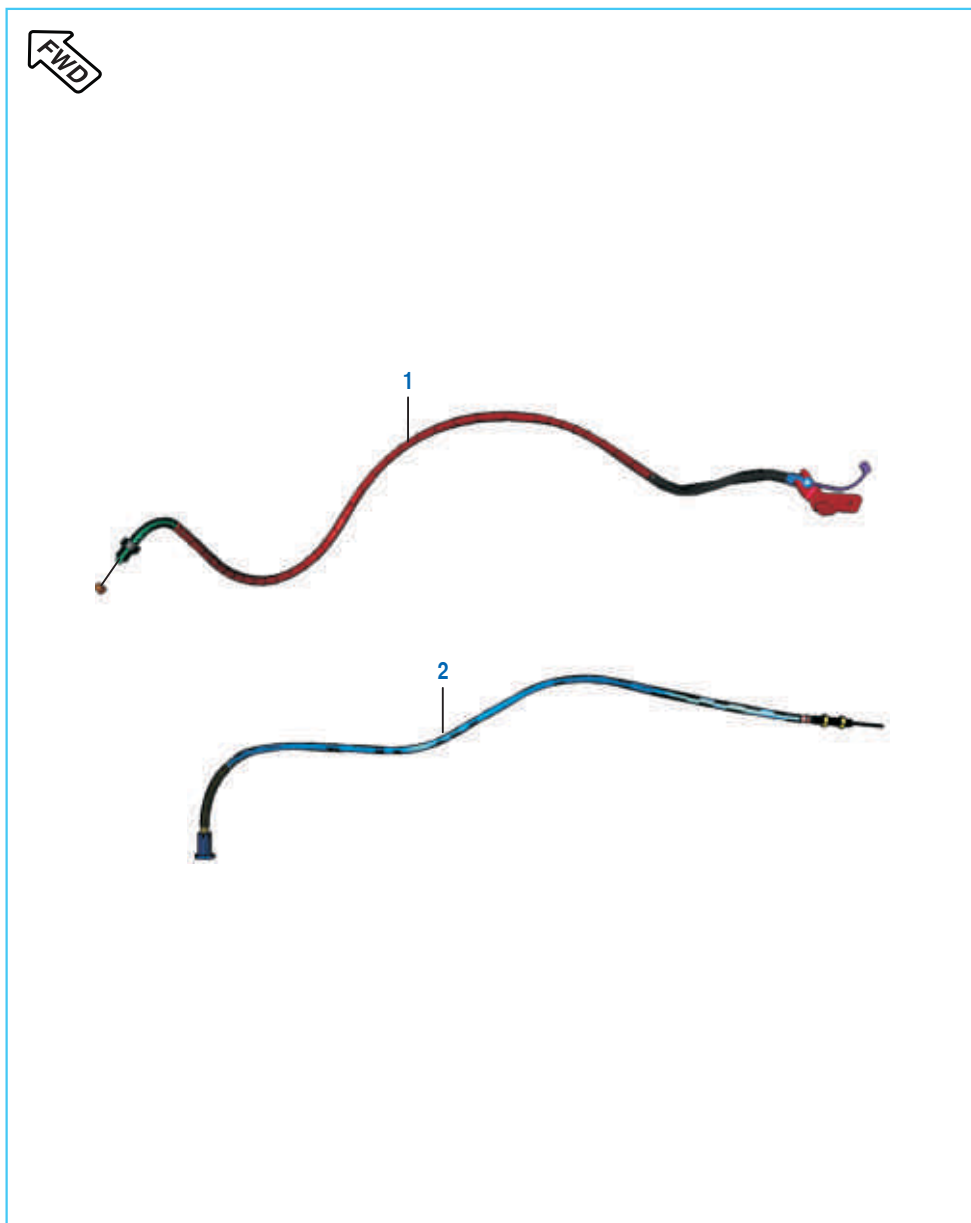
No.	Part No.	Description	Qty.		Remarks
			200 NS	200 AS	
1	JL 1812 88	Step Screw	--	2	
2	KB UA06 12	Screw Truss	--	2	
3	DS 1410 12	Grommet Side Cover	--	4	
4	JL 1812 14	Seal cowl inner	--	1	
5	KB RD42 13	Washer Plain Small	--	4	
6	39 1776 02	Screw	--	4	
7	KA DF06 14	Bolt Flanged	--	4	
8	LD B000 23	Washer Plain	--	2	
9	39 0722 11	Washer Plain	--	2	
10	LB U000 23	Screw	--	1	

Meter Assembly



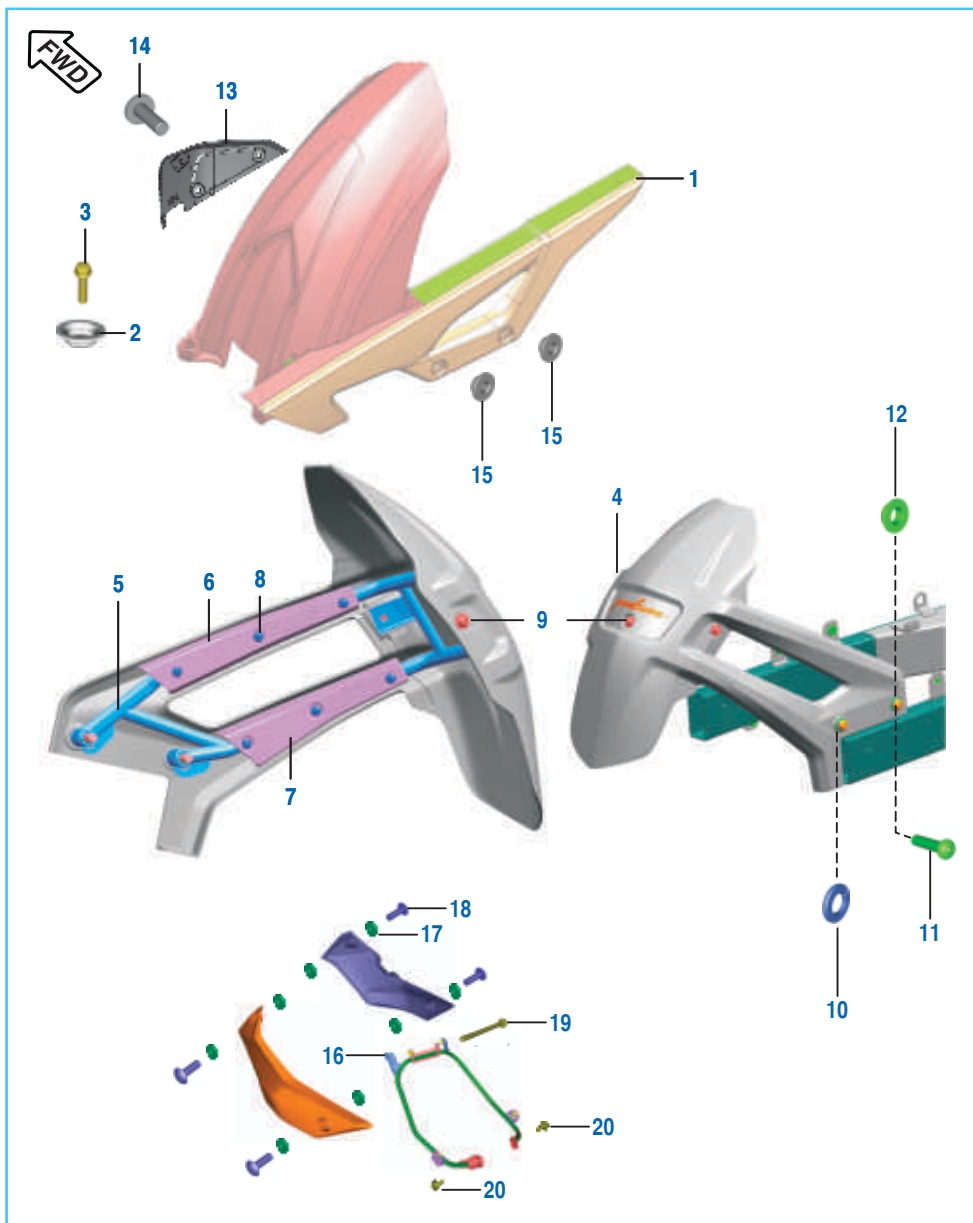
No.	Part No.	Description	Qty.		Remarks
			200 NS	200 AS	
1	JL 4024 00	Speedometer Assembly	1	-	
	JL 4024 05	Speedometer Assembly	--	1	Ref Ser. Cir. D-60
	JL 4024 12	Speedometer Assembly	1	--	Model BS IV
	JL 4024 09	Speedometer Assembly	1	-	Model ABS
2	JG 1812 38	Grommet Dashboard	3	3	
3	39 0291 15	Nut - Hexagon M5 X 0.8	3	3	
	KC AA05 04	Nut Hex Thick	3	3	Ref Ser. Cir. D-62
4	JL 1812 41	Assembly Speedo Flap	1	-	
5	JB 1812 23	Beading Speedo Flap	2	2	
	DK 1612 09	TAPE I	2	-	Model BS IV
6	KA CB05 14	Bolt-Socket	4	-	
	KA CH05 14	Bolt Socket	4	-	Model BS IV
7	LD B000 07	Washer Plain	3	3	
8	JL 4024 03	Speedometer Harness	1	1	N.I.
9	JL 1810 25	Bolt-Socket	-	4	
10	KD AA05 10	Washer Plain	-	8	
11	JL 1814 37	Canopy Speedo Flap	-	1	
12	JG 1812 59	Rivet Snap	-	4	
13	JL 1814 27	Speedo Flap	-	1	
14	LA A000 10	Bolt	-	2	
15	KD AA04 08	Washer	-	2	
16	DT 1810 10	Bolt Socket	-	2	
17	JL 1814 55	Square Insert	--	4	

Control Cables



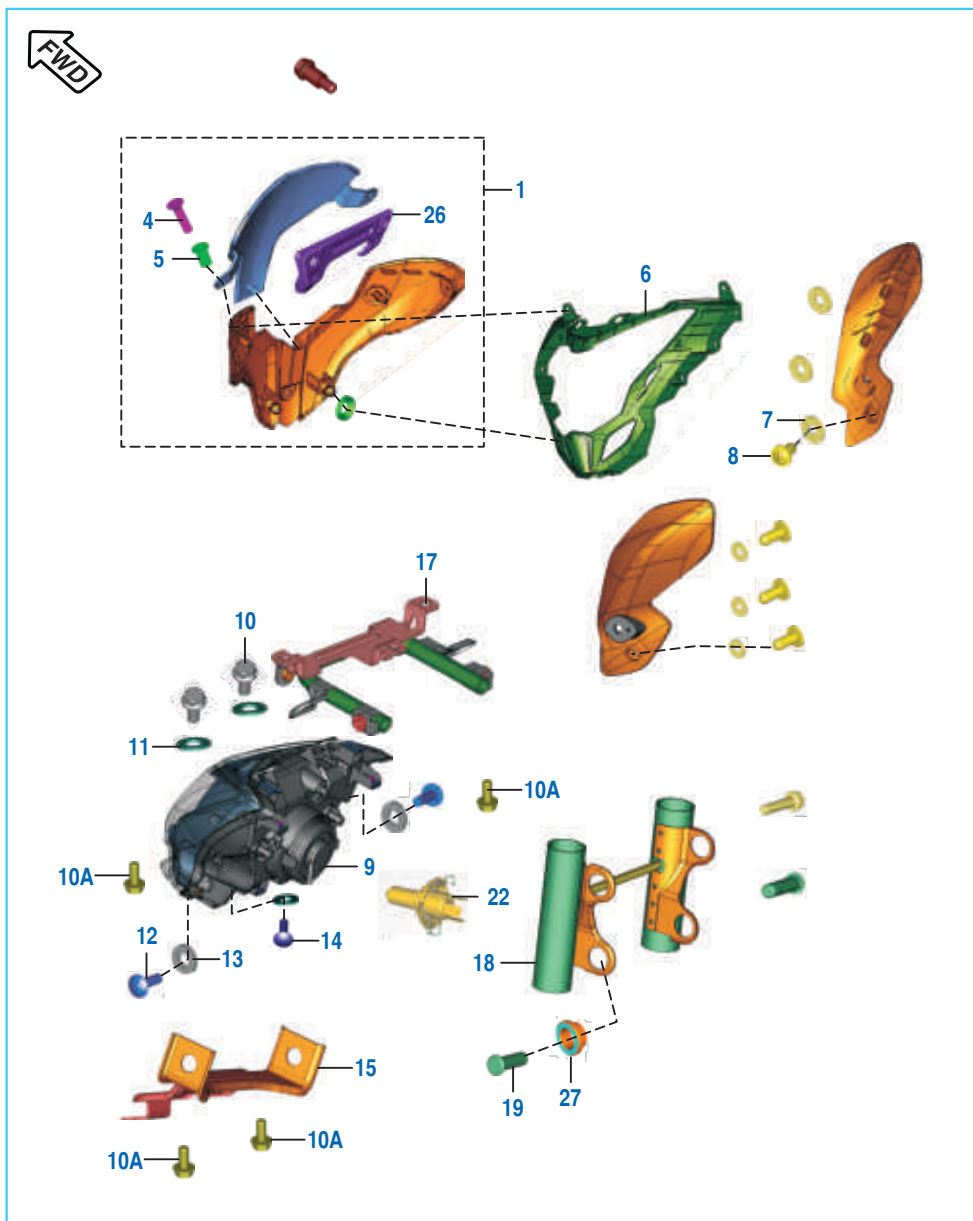
No.	Part No.	Description	Qty.		Remarks
			200 NS	200 AS	
1	JL 1612 01	Cable Throttle	1	--	
	JL 1612 06	Cable Throttle	--	1	
2	JL 1612 00	Cable Clutch	1	--	
	JL 1612 07	Cable Clutch	--	1	
3	JC 1510 19	Speed Sensor Assly	1	1	N.I.
4	JC 2010 43	Speed Sensor	1	1	N.I.

Chain Case & Under Belly Pan



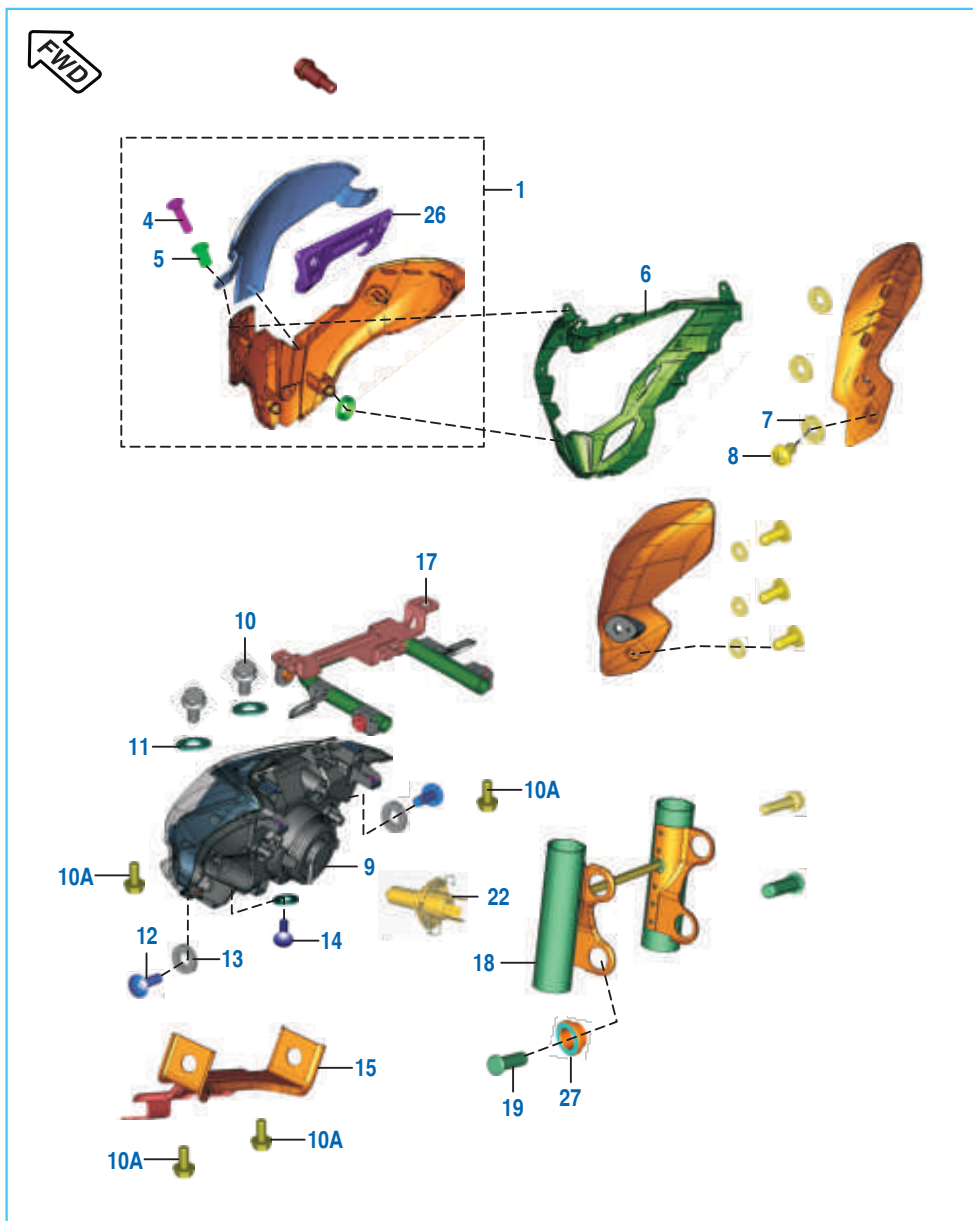
No.	Part No.	Description	Qty.		Remarks
			200 NS	200 AS	
1	JL 1812 05	Cover Assly Chain	1	1	
2	JG 1220 28	Extruded Washer	2	2	
3	39 1791 04	Bolt Flanged M6X8	2	2	
4	JL 1814 09	Asly Hugger Rear	1	-	
	DT 1814 14	Asly Hugger Rear	1	--	From 05.10.2013
5	JL 1810 06	Tube Rear Hugger Mtg	1	-	
	DT 1810 00	Tube Rear Hugger Mtg	1	--	From 05.10.2013
6	JL 1814 07	Cover 1- Hugger Rear	1	-	
	DT 1814 15	Cover 1- Hugger Rear	1	--	From 05.10.2013
7	JL 1814 08	Cover 2- Hugger Rear	1	-	
8	KB UB04 10	Screw	6	-	
	KB UF04 08	Screw Truss	6	-	Model BS IV
9	LA C000 37	Bolt Soc-special Head	3	-	
10	39 0265 12	Spring Washer	2	-	
11	LA C000 36	Bolt Special Socket	2	-	
12	JL 1814 10	Collar Hugger Rear	2	-	
13	JL 1812 53	Chain Cover RH Side	1	1	
14	LA C000 08	Bolt Socket Head	2	-	
	LA C000 54	Bolt Socket Head	2	2	Refer Cir. D-58
15	JL 1812 97	Collar	2	-	Model BS IV
16	JL 1813 07	Bracket Belly Pan	1	-	Model BS IV
17	JY 1812 55	Washer End Cap	8	-	Model BS IV
18	KB UA06 20	Screw Truss	4	-	Model BS IV
19	KA DF06 12	Bolt Flanged	2	-	Model BS IV
20	KA DF06 80	Bolt Flanged	1	-	Model BS IV

Head Lamp & Fairing - Pulsar 200 NS



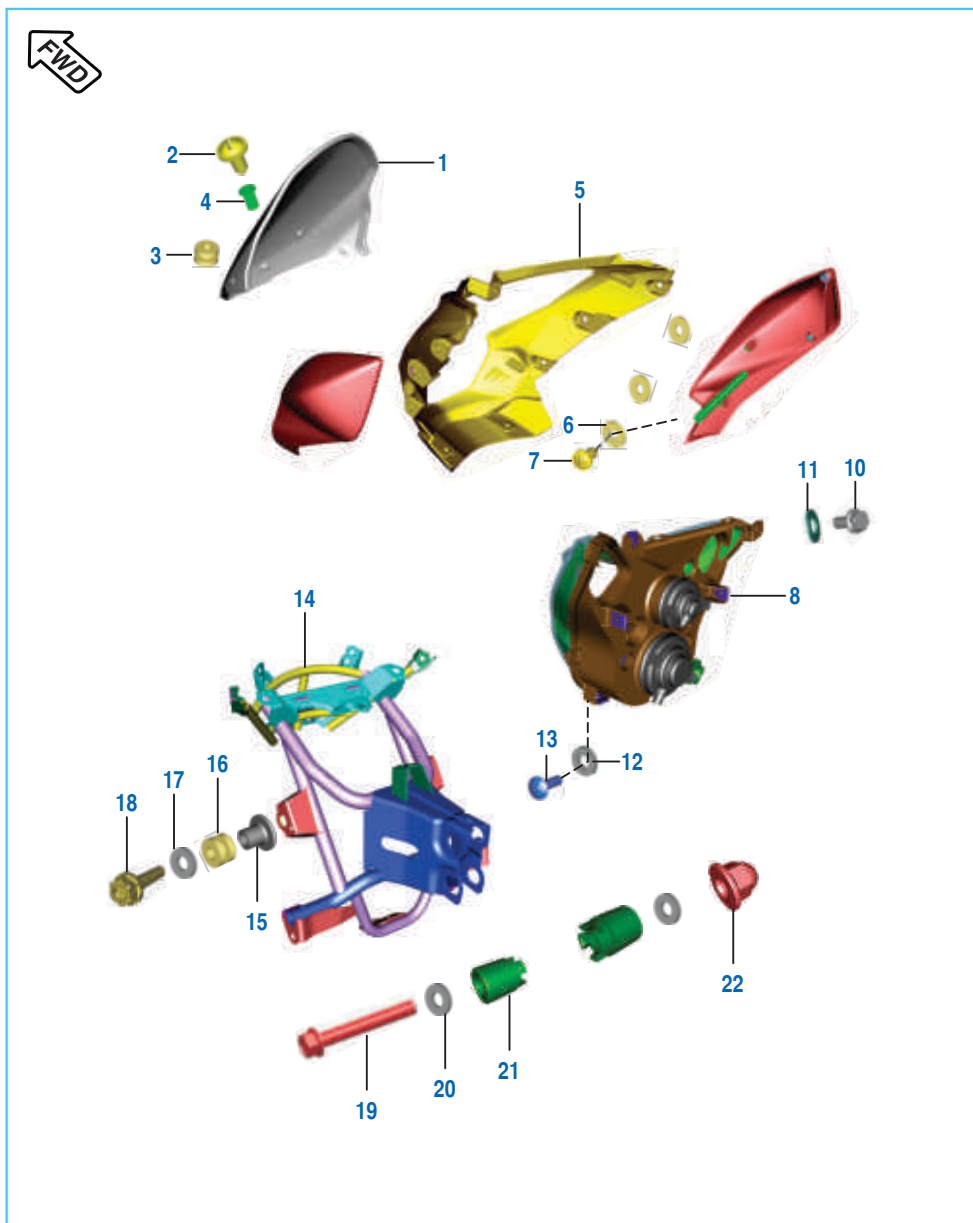
No.	Part No.	Description	Qty.		Remarks
			200 NS	200 AS	
1	JL 1810 08	Windshield Assembly	1	--	
2	JG 1812 36	Well Nut - M5 X 16 L	2	2	N.I.
3	JG 1812 35	Washer Special	2	2	N.I.
4	LB S000 01	Screw M5X20Lx4.8	2	2	
	LB S000 02	Screw CSK - Socket	2	2	Ref Ser. Cir. D-62
5	JL 1812 47	Grommet Wind Screen Mtg	2	2	
6	JL 1812 03	Fairing	1	1	
7	LD A000 07	Washer Plain Small	6	6	
	KD BA05 12	Washer Plain	6	6	Ref Ser. Cir. D-62
8	LB R000 02	Self Tapping Screw - Dia 5	6	6	
9	JL 4010 12	Head Lamp Assy	1	1	
	YJ L020 05	Head Lamp W/O Bulb	1	1	Refer Ser Cir-2014-07
10	39 1943 04	Bolt - Flanged	2	2	
10A	KA DE06 14	Bolt Flanged	4	-	Model BS IV
11	39 0198 11	Washer - Plain	3	3	
12	LB U000 09	Screw - Truss - M5 X 16L, 4.8	2	2	
	KB UA05 16	Screw Truss	2	2	Ref Ser. Cir. D-62
13	39 2141 24	Washer (Non Metallic Round Washer)	2	2	
14	39 1781 01	Round Head Screw	1	1	
	KB UA06 16	Screw Truss	1	-	Model BS IV
15	JL 1812 36	Bracket Lower Mtg	1	1	
16	JL 1812 49	Damper Head Lamp	1	1	N.I.
17	JL 1812 37	Bracket Upper Mtg	1	1	

Head Lamp & Fairing - Pulsar 200 NS



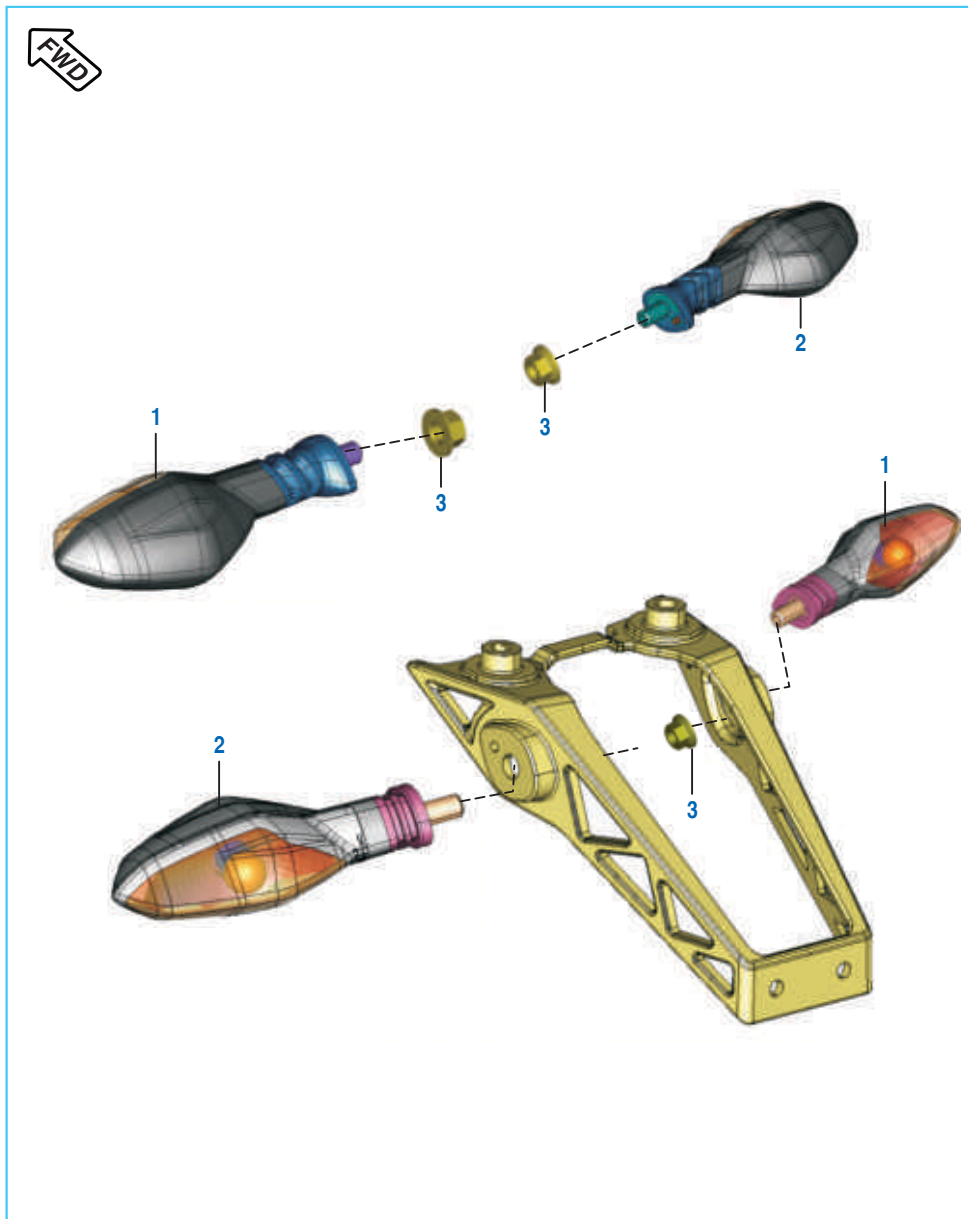
No.	Part No.	Description	Qty.		Remarks
			200 NS	200 AS	
18	JL 1812 35	Lamp Shade assly.	1	1	
19	KA Cb08 35	Bolt Pivot Mass Carrier	4	4	
	KA CH08 35	Bolt Socket	4	-	Model BS IV
20	YJ L020 06	Harness Head Lamp	1	1	Refer Ser Cir-2014-07
21	DK 2010 44	Bulb-Pilot (12V, W5W)	2	2	N.I.
22	EC 4010 30	Head Lamp Bulb 60/55W (H4)	1	1	
23	PA 1812 92	Grommet Fairing	4	4	Ref Ser. Cir. D-62
24	PA 1812 93	Collar Fairing Mtg	4	4	Ref Ser. Cir. D-62
25	KD AA06 11	Washer Plain Small	3	-	Model BS IV
26	JL 1812 83	Bracket Wind Shield	1	-	Model BS IV
27	JL 1812 84	Step Bolt	2	-	Model BS IV
28	JL 1812 57	Collar Fairing	4	-	Model BS IV

Head Lamp & Fairing Structure - Pulsar 200AS



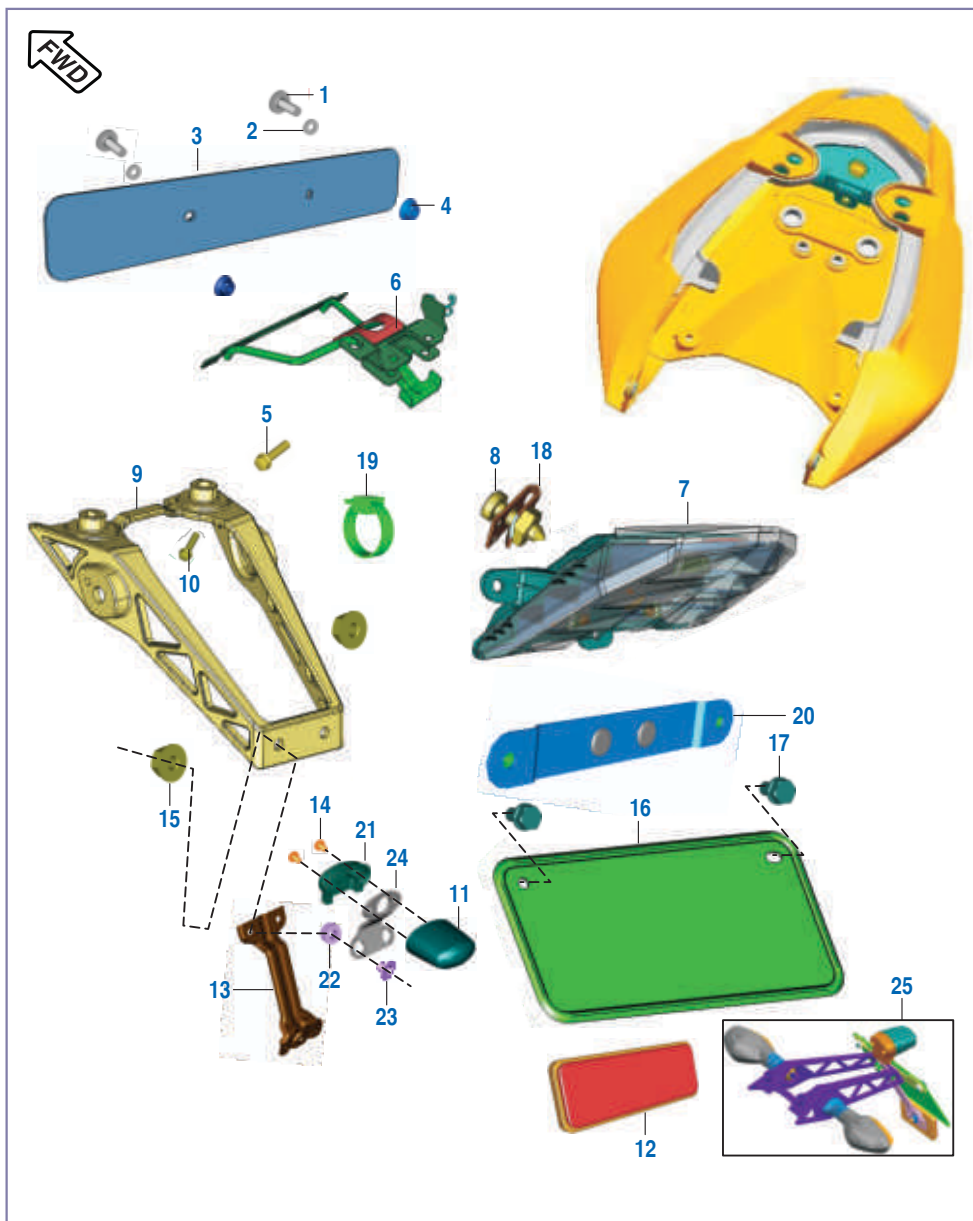
No.	Part No.	Description	Qty.		Remarks
			200 NS	200 AS	
1	JL 1814 26	Windshield	--	1	
2	LB U000 30	Screw Truss	--	6	Ref Ser. Cir. D-62
3	JL 1812 45	Grommet	--	6	
4	JL 1814 53	Collar Wind Screen Mtg	--	6	
5	JL 1814 17	Mask	--	1	
6	KD BA05 12	Washer Plain	--	6	Ref Ser. Cir. D-62
7	LB R000 02	Self Tapping Screw - Dia 5	--	6	
8	JL 4010 17	Head Lamp Assy	--	1	
8A	YJ L060 04	Head Lamp W/O Bulb	--	1	
9	DK 2010 43	Head Lamp Bulb 60/55W (H4)	1	2	
10	KA DC06 16	Bolt - Flanged	--	1	
11	KD BA06 13	Washer - Plain	--	1	
12	JY 1812 84	Washer	--	2	
13	KB UC06 25	Screw	--	2	
14	JL 1814 16	Fairing Structure	--	1	
15	DJ 1810 29	Collar Fairing	--	3	
16	DJ 1810 64	Grommet	--	3	
17	39 0211 11	Washer Plain	--	3	
18	KA EG06 20	Bolt Flanged	--	3	
19	LA D001 20	Bolt Flanged	--	2	
20	DT 1813 10	Hex Thrust Washer	--	4	
21	DT 1813 11	Spacer Fairing Structure	--	4	
22	39 2535 15	Nut Dome Cap	--	2	
23	YJ L060 03	Wiring Harness Head Lamp	--	1	N.I.

Indicator Light Assembly



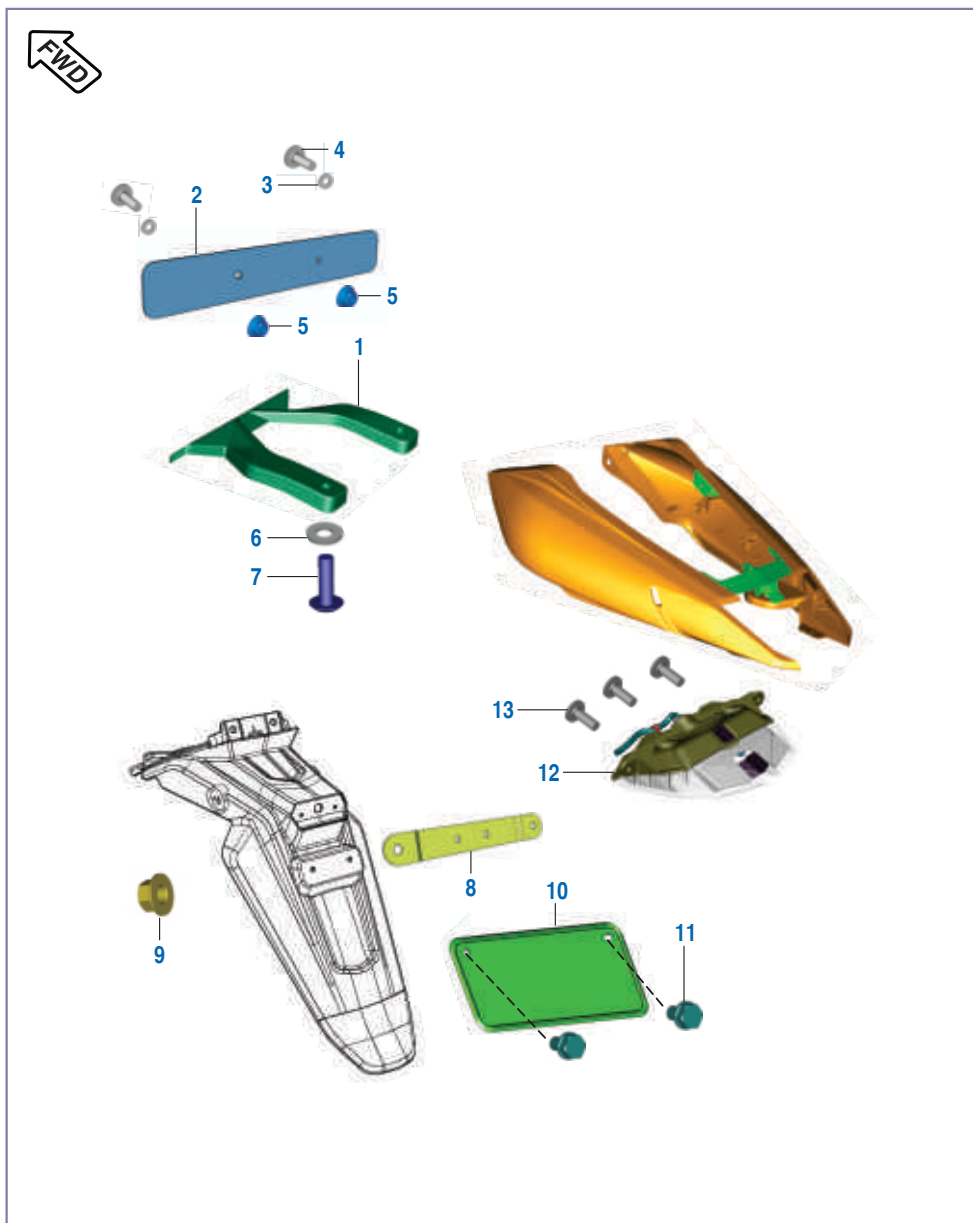
No.	Part No.	Description	Qty.		Remarks
			200 NS	200 AS	
1	JL 4010 04	Indicator Assy RR RH / FR LH	1	1	
	JL 4010 06	Indicator Assy FR RH / RR LH	1	1	
2	JL 4010 06	Indicator Assy FR RH / RR LH	1	1	
	39 1225 15	Nut-Hexagon with Flange:M10	4	--	
	KC GA10 10	Nut-Hexagon	--	2	Front Indicator Mtg
	KC GD10 10	Nut-Hexagon	--	2	Rear Indicator Mtg
4	GH 2010 12	Lamp 12V - 10W	4	-	Model BS IV

Number Plate / Tail Lamp Assly - P 200 NS



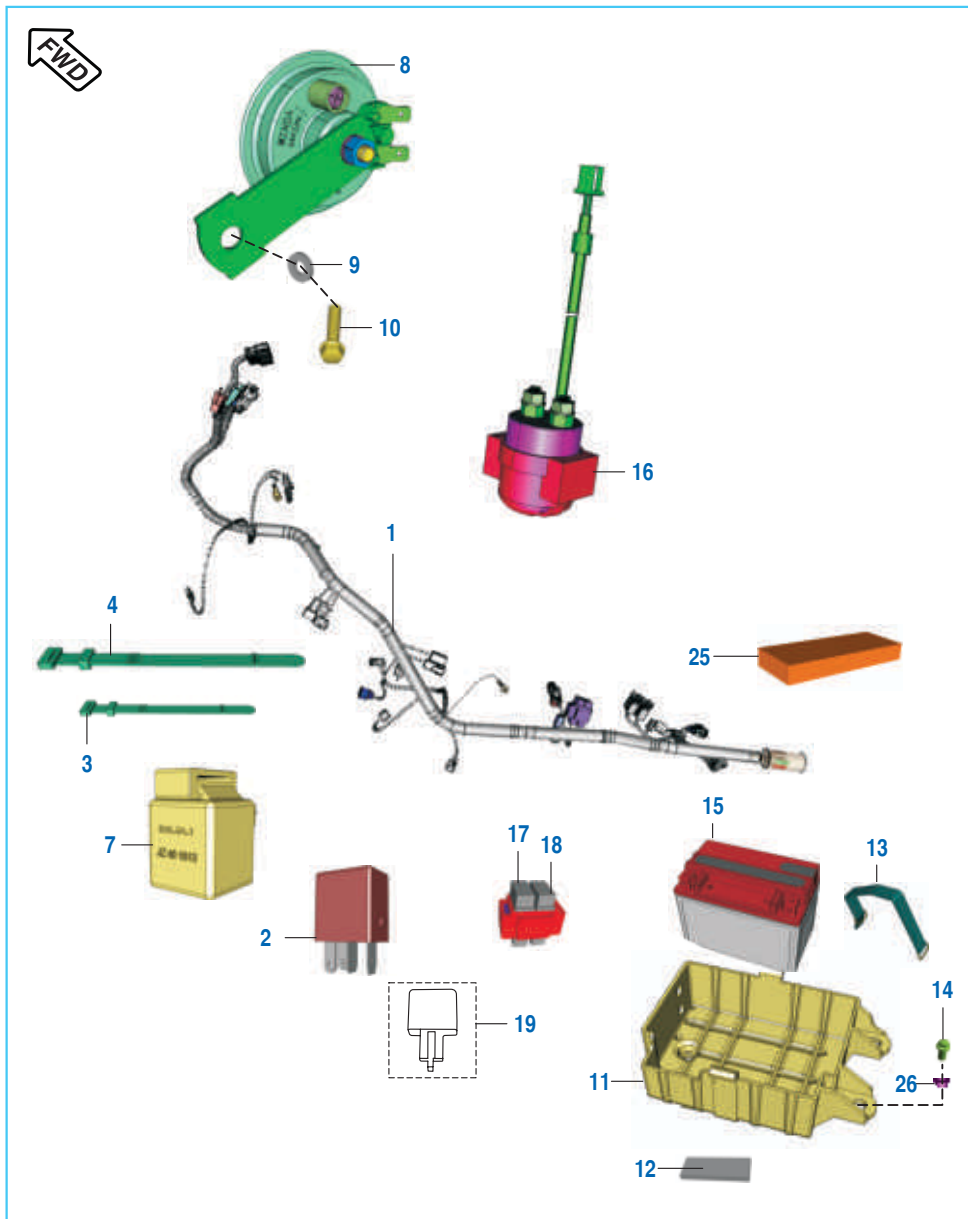
No.	Part No.	Description	Qty.		Remarks
			200 NS	200 AS	
1	LB U000 09	Screw Mashroom Head	2	-	
2	39 2141 24	Washer None Metallic	2	-	
3	JU 2328 00	Front Number Plate	1	-	
4	LC A000 08	Flange Nut	2	-	
5	39 1769 04	Hex Flanged Bolt	2	-	
6	JL 2328 05	Bracket Number Plate Mtg	1	-	
	JL 2328 24	Bracket Number Plate Mtg	1	-	Model ABS
7	JL 4010 02	Lamp Tail Assly	1	-	
8	39 1907 01	Screw - Truss Cross : M5	3	-	
	KB UA05 14	Screw Truss	3	-	
9	JL 1138 00	Bracket Rear Blinker Mtg	1	-	
	56 JL02 3G	Blinker Bkt Moon Light Silver	1	--	Ref. Ser. Cir. D-62
10	39 1681 04	Bolt M-6	2	-	
	KA DD06 10	Bolt Flanged	2	-	
11	JD 4010 07	Rear Number Plate Lamp	1	-	
12	DD 2010 02	Reflector - Reflex	1	-	
13	JL 1138 03	Bracket - Reflector Reflex Mtg	1	-	
14	39 0705 01	Screw - M5	2	-	
15	39 1972 15	Nut	1	-	
	39 2484 15	Nut Flanged M5	1	-	
	KC GD06 06	Nut Hex Flanged	2	-	Model BS IV
16	DP 1611 45	Rear Number Plate	1	-	
17	39 2476 04	Bolt - Hexagon Head	2	-	
	KA DD08 25	Bolt Flanged	2	-	Model BS IV
18	DJ 1612 29	Nut Clip	3	-	
19	PA 4022 04	Band (Length 110 MM)	2	-	
20	JD 1138 00	Bracket Rr Number Plate Mtg	1	-	
	JL 2328 08	Bracket Rr Number Plate Mtg	1	-	Model BS IV
21	JD 4010 23	Cover Number Plate Lamp	1	-	
	JL 4010 16	Cover Illumination Lamp	1	-	Model BS IV
22	JL 1138 11	Grommet - Illumination Bkt	2	--	Ref Ser. Cir. D-62
23	JL 1138 12	Sleeve - Illumination Bkt	2	--	Ref Ser. Cir. D-62
24	JL 1138 10	Bracket Number Plate Illum.	1	-	Model BS IV
25	DP 1611 45	Rear Number Plate Assembly	1	-	Model BS IV

Number Plate / Tail Lamp Assly - P 200 AS



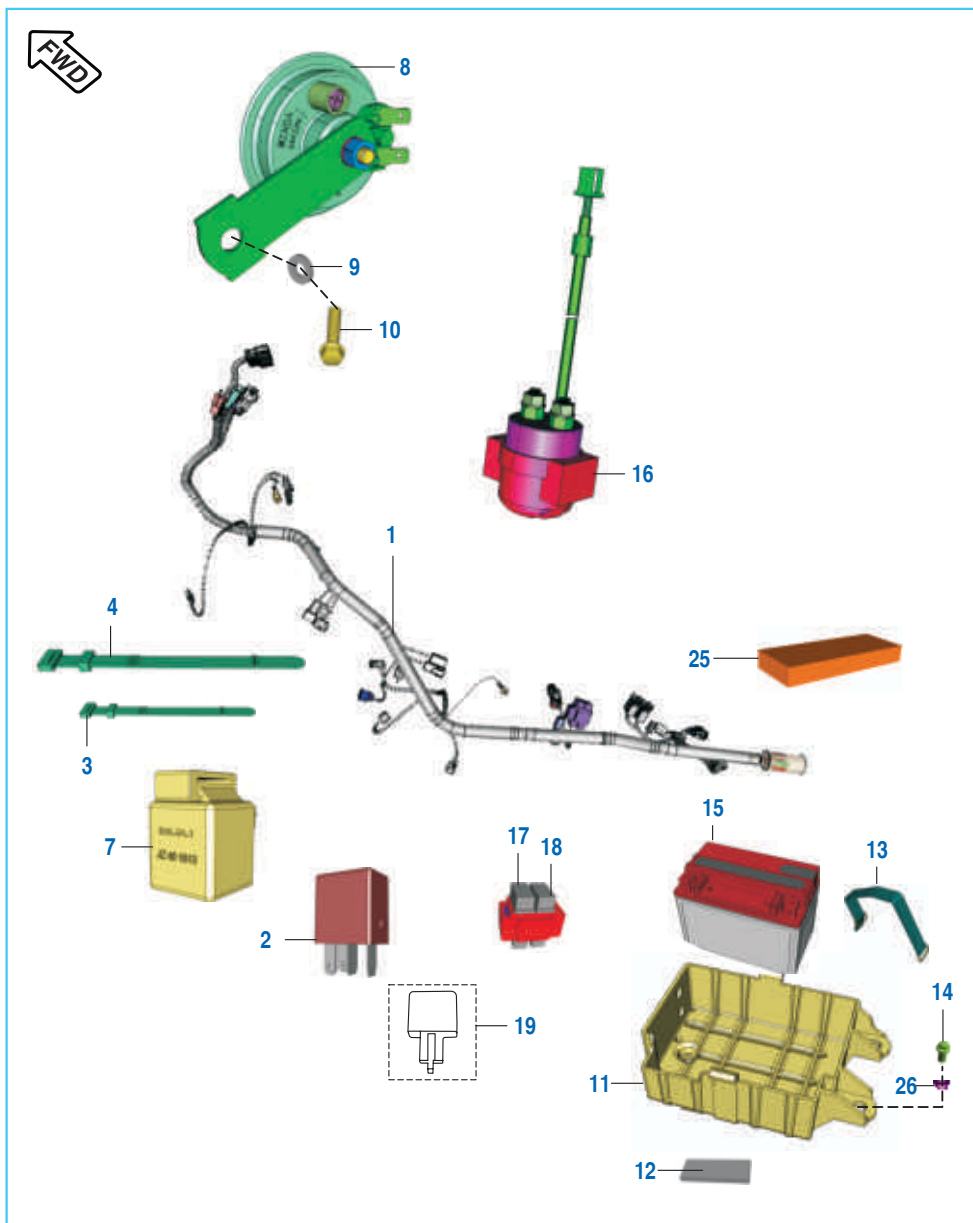
No.	Part No.	Description	Qty.		Remarks
			200 NS	200 AS	
1	JL 2328 10	Bracket No Plate Front	--	1	
2	JU 2328 00	No Plate Front	--	1	
3	39 2141 24	Washer None Metallic	--	2	
4	KB BA05 14	Screw Pan Cross	--	2	
5	KC GA05 05	Nut Hex	--	2	
6	JY 1812 84	Washer Nylon	--	2	
7	KB UC06 25	Screw Truss	--	2	
8	JL 2328 11	Bracket No. Plate Mtg	--	1	
9	LC G000 08	Nut Flanged	--	2	
10	DP 1611 45	Number Plate Rear	--	1	
11	KA DD06 10	Bolt Flanged	--	2	
12	JL 4010 02	Tail Lamp	--	1	
13	39 1907 01	Screw	--	3	

Electrical Equipments



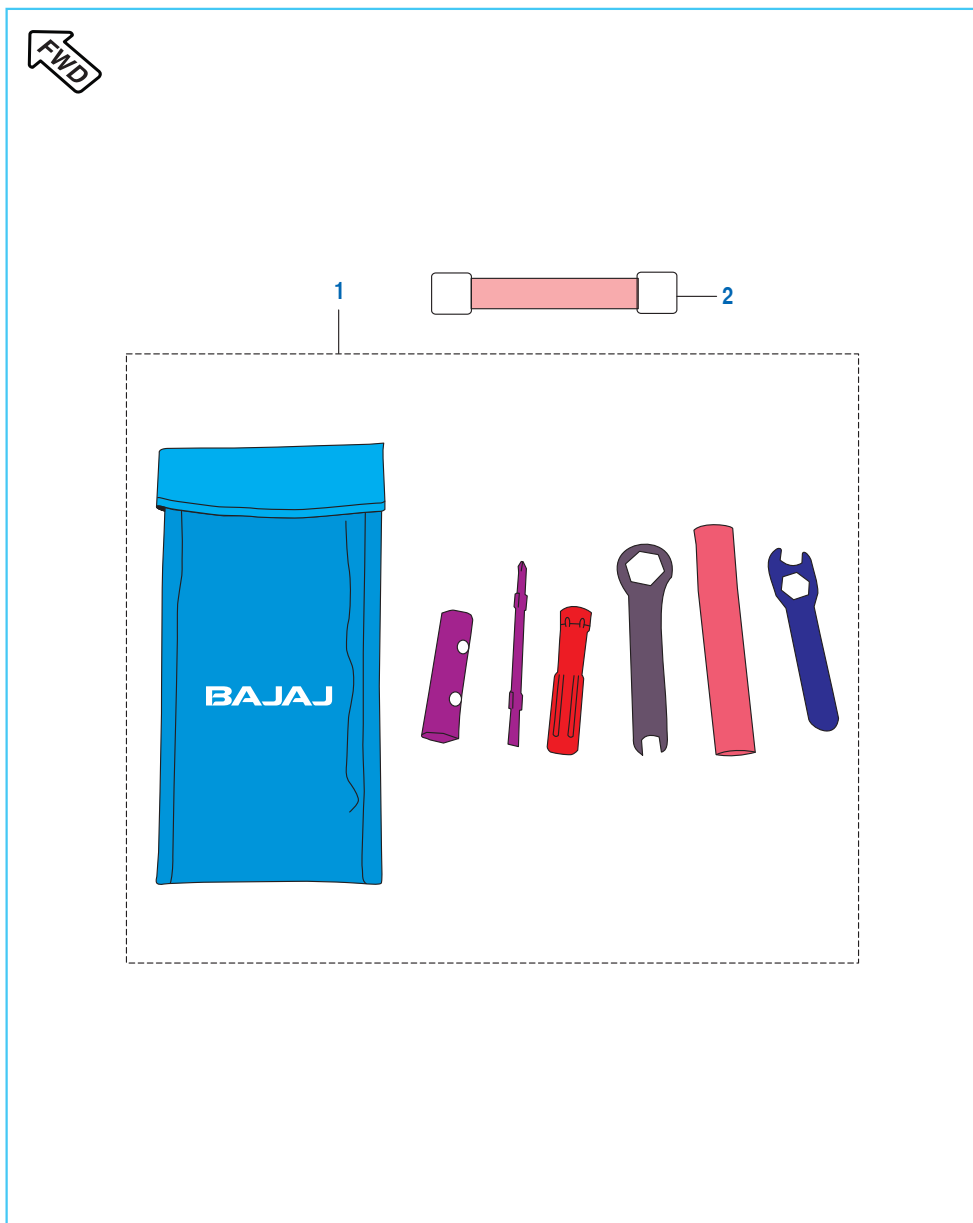
No.	Part No.	Description	Qty.		Remarks
			200 NS	200 AS	
1	JL 4022 03	Harness Wiring	1	-	
	JL 4022 20	Harness Wiring	-	1	
	JL 4022 45	Wiring Harness AHO	1	-	Model BS IV
	JL 4022 35	Wiring Harness	1	-	Model ABS
2	JL 4030 00	Relay Inter lock	1	1	
3	30 1910 48	Band (123 mm)	5	5	
4	30 2010 64	Band (149 mm)	3	3	
5	JL 4022 01	Cable Assy Relay To Motor	1	1	N.I.
6	JL 4022 02	Cable Earth	1	1	N.I.
7	JZ 4010 13	Headlamp Control Unit	1	-	
7A	DT 4020 06	Light Control Module	-	1	
8	JG 4016 01	Horn LH	1	-	Ref. Ser. Cir. D-60
	JL 4016 00	Horn LH	1	-	Model BS IV
	JL 4016 02	Horn LH	-	1	
9	39 1507 11	Washer - Plain	1	1	
10	39 2205 04	Hex Head Bolt - Flanged M8	1	-	
	39 1956 04	Bolt Flanged	-	1	
11	JL 1812 18	Battery Case	1	1	
12	JL 4018 03	Foam Bottom Battery	11	11	
	JG 4018 08	Foam Battery Bracket	6	-	Model BS IV
13	JL 4018 01	Battery Band	1	1	
14	39 1944 04	Bolt - Flanged	4	4	
15	36 JU00 15	Kit Battery 12V 8Ah	1	1	
16	JN 3516 04	Starter Relay- With Grommet	1	1	
17	JL 4022 08	Fuse - 20A (Blade Type)	2	2	

Electrical Equipments



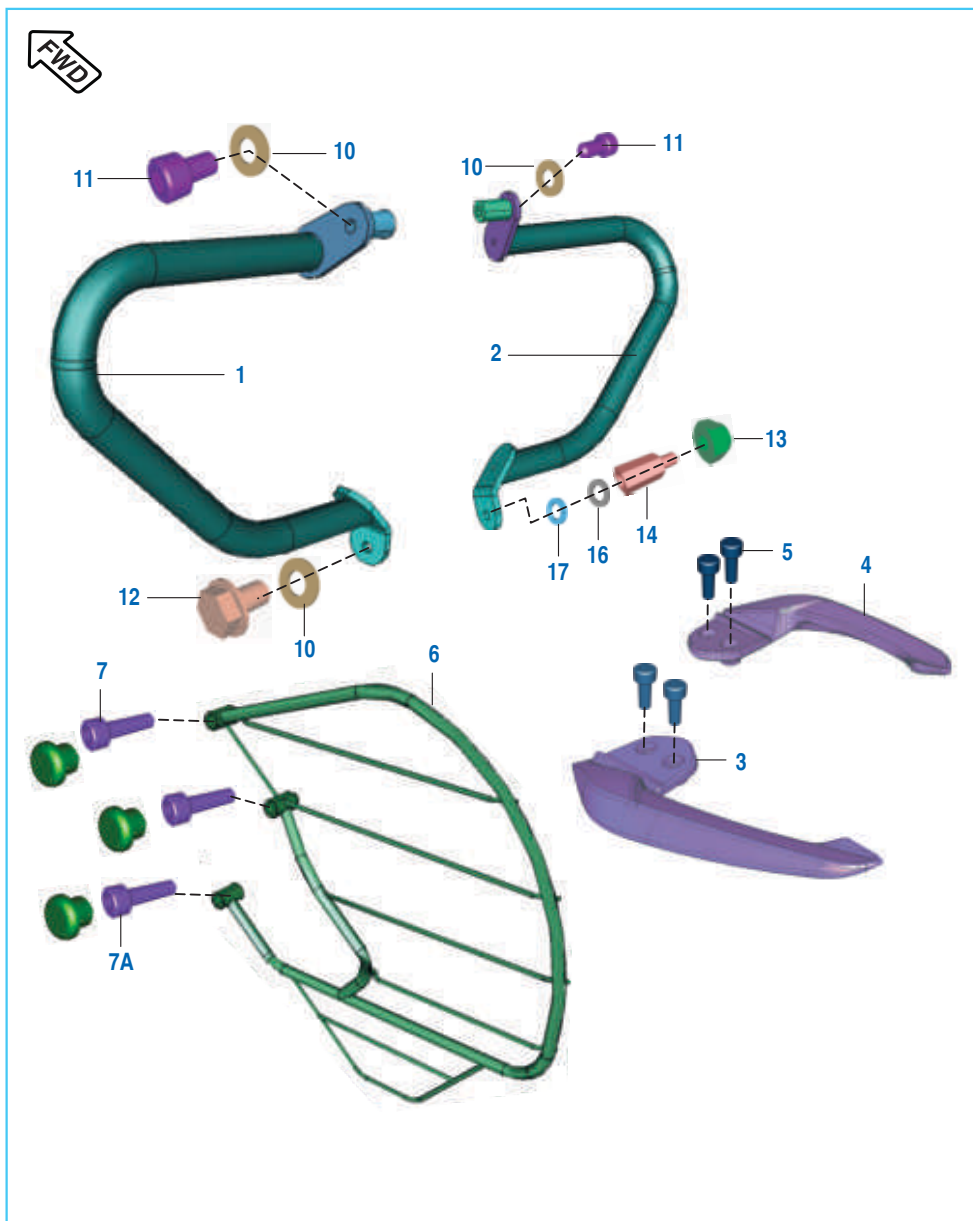
No.	Part No.	Description	Qty.		Remarks
			200 NS	200 AS	
18	AP 2010 25	Fuse 15A (Blade Type)	2	2	
18A	AK 2010 12	Fuse 10A (Blade Type)	2	2	Model BS IV
19	DS 2010 25	Flasher - D. C. Solid State	1	-	
20	PA 4022 04	Band (Length 110 mm)	2	2	N.I.
21	JD 4022 12	Band (Length 200 mm)	1	1	N.I.
22	JD 4022 17	Band (Length 150 mm)	2	2	N.I.
23	JL 1138 29	Bracket Horn	--	1	N.I.
24	DJ 2010 52	Cable Assembly Front Brake	1	--	N.I. Model BS IV
25	JL 4018 04	Foam Side Battery	3	-	Model BS IV
26	JL 1812 64	Sleeve Battery Box	3	-	Model BS IV

Tool Kit



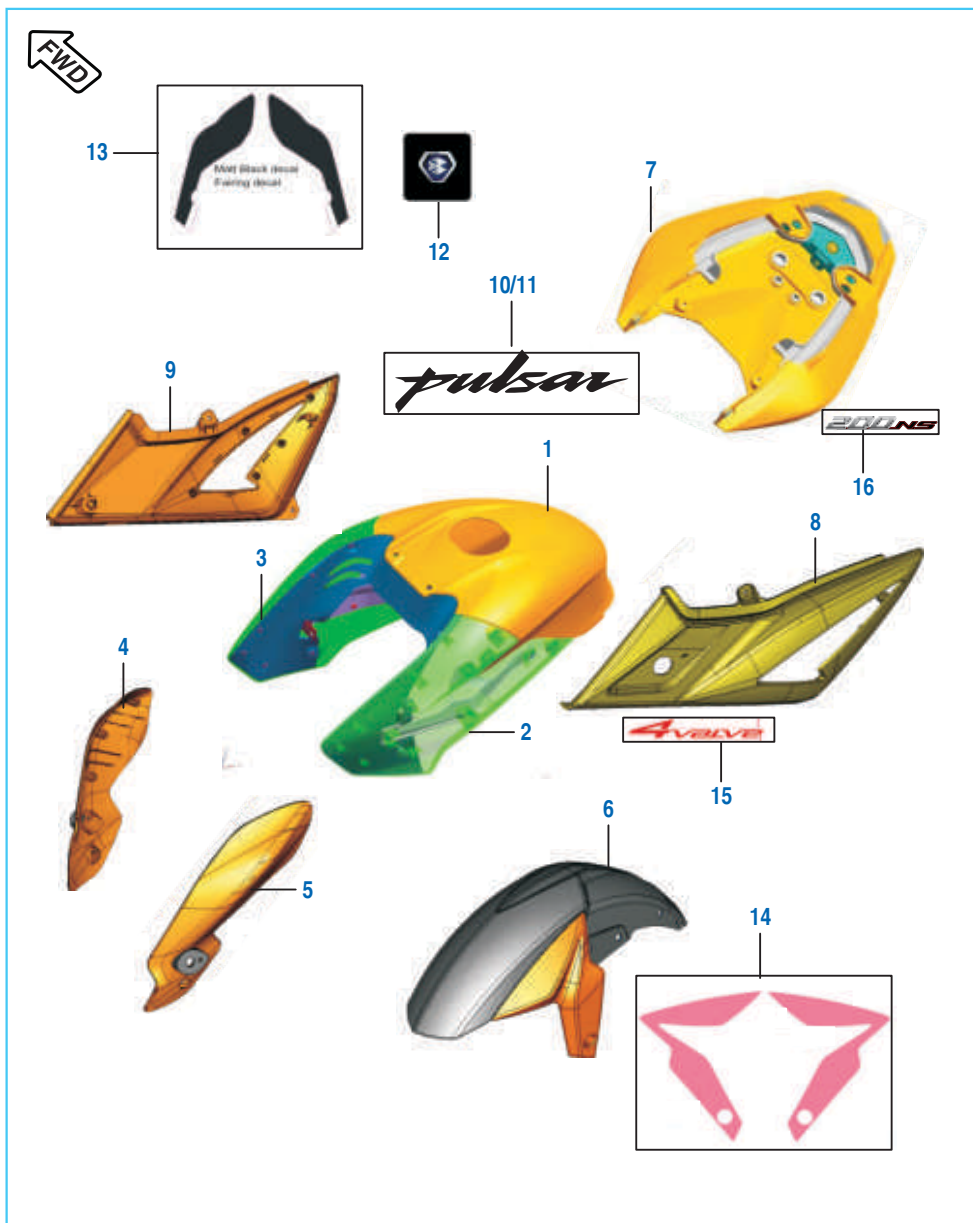
No.	Part No.	Description	Qty.		Remarks
			200 NS	200 AS	
1	DJ 2210 19	Tool Kit	1	1	Not Serviceable
2	DK 2210 24	Band Tool Kit	2	2	Model BS IV
	JL 2310 03	Tool Kit - Band	2	2	

Accessories / Grab Handle



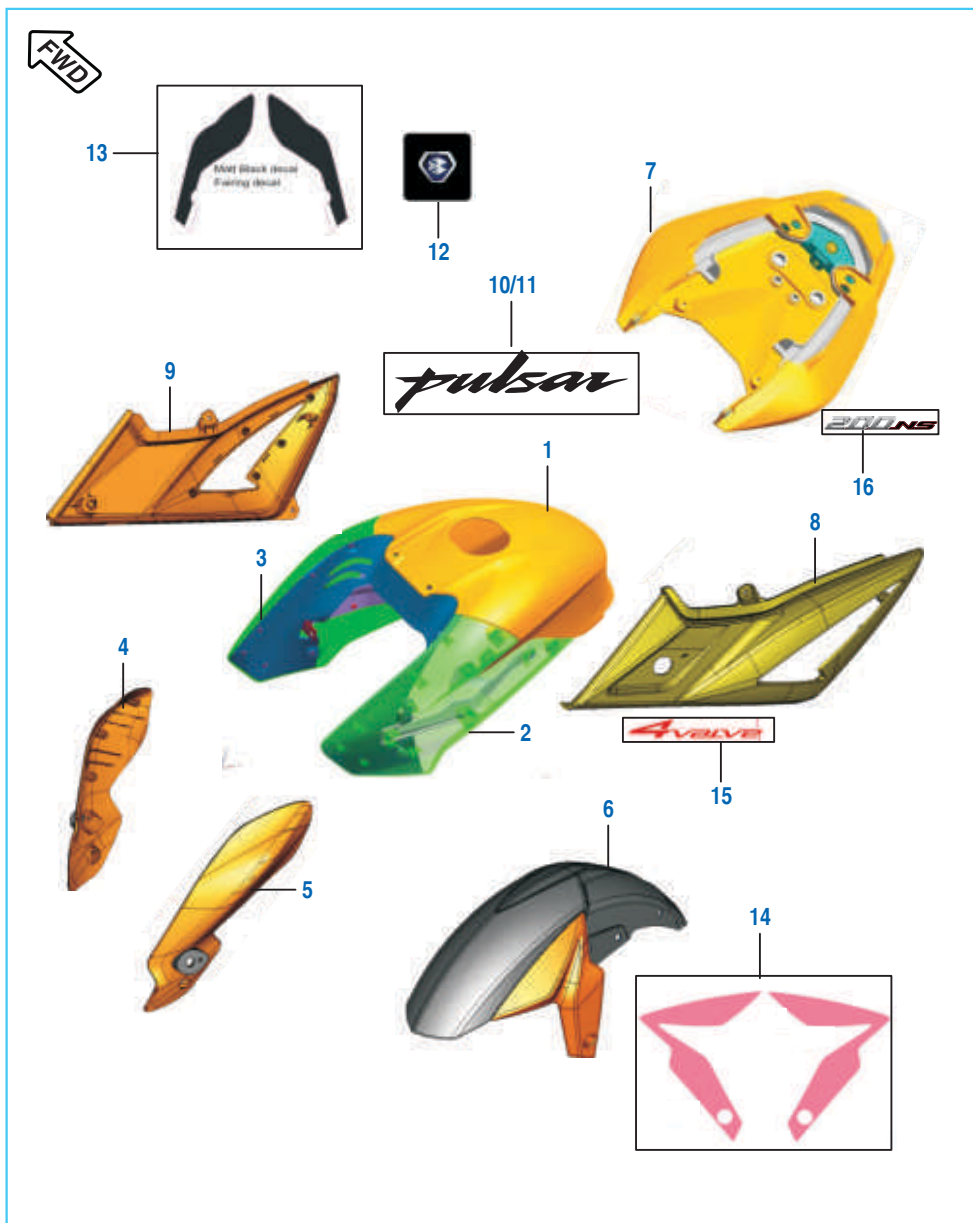
No.	Part No.	Description	Qty.		Remarks
			200 NS	200 AS	
1	JL 2312 01	Guard Leg LH	1	1	
	JL 2312 13	Guard Leg LH	1	-	Model ABS
2	JL 2312 03	Guard Leg RH	1	1	
	JL 2312 14	Guard Leg RH	1	-	Model ABS
3	JL 2314 04	Grab Handle Assy LH	1	1	
4	JL 2314 05	Grab Handle Assy RH	1	1	
5	LA C000 17	Bolt Socket M8 X 1.25	4	4	
	LA C000 35	Bolt Socket	4	4	Ref. Ser. Cir. D-62
6	JL 2312 02	Guard Saree	1	-	
	JL 2312 11	Guard Saree	-	1	
7	KA CB06 22	Bolt Socket L-22	3	2	
7A	39 2038 04	Hex Socket Bolt	-	1	
8	JL 2316 00	Mirror Assy LH	1	1	
9	JL 2316 01	Mirror Assy RH	1	1	
10	KD BE06 13	Washer	3	3	
11	KA CA06 35	Bolt Socket	2	-	
	LA C000 48	Bolt Socket	-	2	
	KA CA06 10	Bolt Master Kac	1	-	Ref Ser. Cir. D-62
	LA C000 49	Bolt Socket	-	1	
13	JU 2312 07	Nut Nyloc M8X1.25	1	-	
	39 2723 15	Hex Nut	-	1	
14	JU 2312 05	Nut Leg Guard Mounting	1	1	
15	JL 2312 09	Plug Saree Guard	3	3	
16	KD AA10 18	Washer Plain Small	1	-	Model BS IV
17	LD C000 01	Washer Leg Guard	1	-	Model BS IV

Painted Parts and Decals - Pulsar 200 NS



No.	Part No.	Description	Qty.		Remarks
			200 NS	200 AS	
1	JL 7401 5P	Tank Cover Top P200 Blue	1	--	
	JL 7401 5N	Tank Cover Top P200 Black	1	--	
	JL 7401 5Q	Tank Cover Top P200 Yellow	1	--	
	JL 7401 5M	Tank Cover Top P200 Red	1	--	
	56 JL22 X3	Tank Cover Top Eb Black	1	--	Ref. Ser. Cir. D-62
2	JL 7301 5P	Tank Cover Side LH - Blue	1	--	
	JL 1710 45	Tank Cover Side LH	1	--	
	52 JL02 16	Tank Cover Side LH P Red	1	--	Ref. Ser. Cir. D-62
	52 JL02 18	Tank Cover Side LH S Blue	1	--	Ref. Ser. Cir. D-62
	56 JL20 X3	Tank Cover Side LH E Black	1	--	Ref. Ser. Cir. D-62
	52 JL02 20	Tank Cover Side LH M White	1	--	Ref. Ser. Cir. D-62
3	JL 7302 5P	Tank Cover Side RH - Blue	1	--	
	JL 7302 5N	Tank Cover Side RH - Black	1	--	
	JL 1710 46	Tank Cover Side RH	1	--	
	52 JL02 17	Tank Cover Side RH P Red	1	--	Ref. Ser. Cir. D-62
	56 JL21 X3	Tank Cover Side RH E Black	1	--	Ref. Ser. Cir. D-62
	52 JL02 19	Tank Cover Side RH S Blue	1	--	Ref. Ser. Cir. D-62
	52 JL02 21	Tank Cover Side RH M White	1	--	Ref. Ser. Cir. D-62
4	JL 7602 5P	Side Mask RH - Blue	1	--	
	JL 1812 34	Side Mask RH	1	--	
	JL 7602 5M	Side Mask RH - Red	1	--	
	52 JL01 92	Side Mask RH E Black	1	--	Ref. Ser. Cir. D-62
	52 JL01 94	Side Mask RH P Red	1	--	Ref. Ser. Cir. D-62
	52 JL01 96	Side Mask RH S Blue	1	--	Ref. Ser. Cir. D-62
	52 JL01 98	Side Mask RH M White	1	--	Ref. Ser. Cir. D-62

Painted Parts and Decals - Pulsar 200 NS



No.	Part No.	Description	Qty.		Remarks
			200 NS	200 AS	
5	JL 7601 5P	Side Mask LH - Blue	1	--	
	JL 1812 33	Side Mask LH	1	--	
	52 JL01 91	Side Mask LH E Black	1	--	Ref. Ser. Cir. D-62
	52 JL01 93	Side Mask LH P Red	1	--	Ref. Ser. Cir. D-62
	52 JL01 95	Side Mask LH S Blue	1	--	Ref. Ser. Cir. D-62
	52 JL01 97	Side Mask LH M White	1	--	Ref. Ser. Cir. D-62
6	52 JL00 65	Front Fender Blue	1	--	
	52 JL00 66	Front Fender Black	1	--	
	52 JL00 67	Front Fender Yellow	1	--	
	52 JL00 59	Front Fender Red	1	--	
	JL 7501 X3	Fender Fr with Flap E Bk	1	--	Ref. Ser. Cir. D-62
	52 JL01 88	Fender Fr with Flap P Red	1	--	Ref. Ser. Cir. D-62
	52 JL01 89	Fender Fr with Flap S Blue	1	--	Ref. Ser. Cir. D-62
52 JL01 90	Fender Fr with Flap M White	1	--	Ref. Ser. Cir. D-62	
7	JL 7801 5P	Seat Cowl - Blue	1	--	
	JL 7801 5M	Seat Cowl - Red	1	--	
	56 JL10 4R	Seat Cowl Passion Red	1	--	Ref. Ser. Cir. D-62
	56 JL10 5N	Seat Cowl Saffire Blue	1	--	Ref. Ser. Cir. D-62
	56 JL10 5Y	Seat Cowl Metallic White	1	--	Ref. Ser. Cir. D-62
	56 JL10 X3	Seat Cowl Ebony Black	1	--	Ref. Ser. Cir. D-62
8	52 JL00 54	Cover Side LH Assly	1	--	
9	52 JL00 55	Cover Side RH Assly	1	--	
10	JL 2330 04	3D Decal Tank RH	1	--	

Painted Parts and Decals - Pulsar 200 NS BS IV



No.	Part No.	Description	Qty.		Remarks
			200 NS	200 AS	
1	52 JL09 35	Tank Cover Top White	1	--	
	52 JL09 17	Tank Cover Top P Red	1	--	
	52 JL09 26	Tank Cover Top Black	1	--	
2	56 JL20 42	Tank Cover Side LH - White	1	--	
	56 JL20 45	Tank Cover Side LH - P Red	1	--	
	56 JL20 46	Tank Cover Side LH - Black	1	--	
3	56 JL21 42	Tank Cover Side RH - White	1	--	
	56 JL21 45	Tank Cover Side RH - Red	1	--	
	56 JL21 46	Tank Cover Side RH - Black	1	--	
4	52 JL09 37	Side Mask RH - White	1	--	
	52 JL09 19	Side Mask RH - Red	1	--	
	52 JL09 28	Side Mask RH - Black	1	--	
5	52 JL09 36	Side Mask LH - White	1	--	
	52 JL09 18	Side Mask LH - Red	1	--	
	52 JL09 27	Side Mask LH - Black	1	--	
6	52 JL10 20	Front Fender White	1	--	
	52 JL10 18	Front Fender Red	1	--	
	52 JL10 19	Front Fender Black	1	--	
7	52 JL09 20	Seat Cowl - For Red	1	--	
	52 JL09 38	Seat Cowl - For White	1	--	
	52 JL09 29	Seat Cowl - For Black	1	--	
8	52 JL09 92	Cover Side LH Assly Red	1	--	
	52 JL09 94	Cover Side LH Assly White	1	--	
	52 JL09 93	Cover Side LH Assly Black	1	--	

Painted Parts and Decals - Pulsar 200 NS BS IV



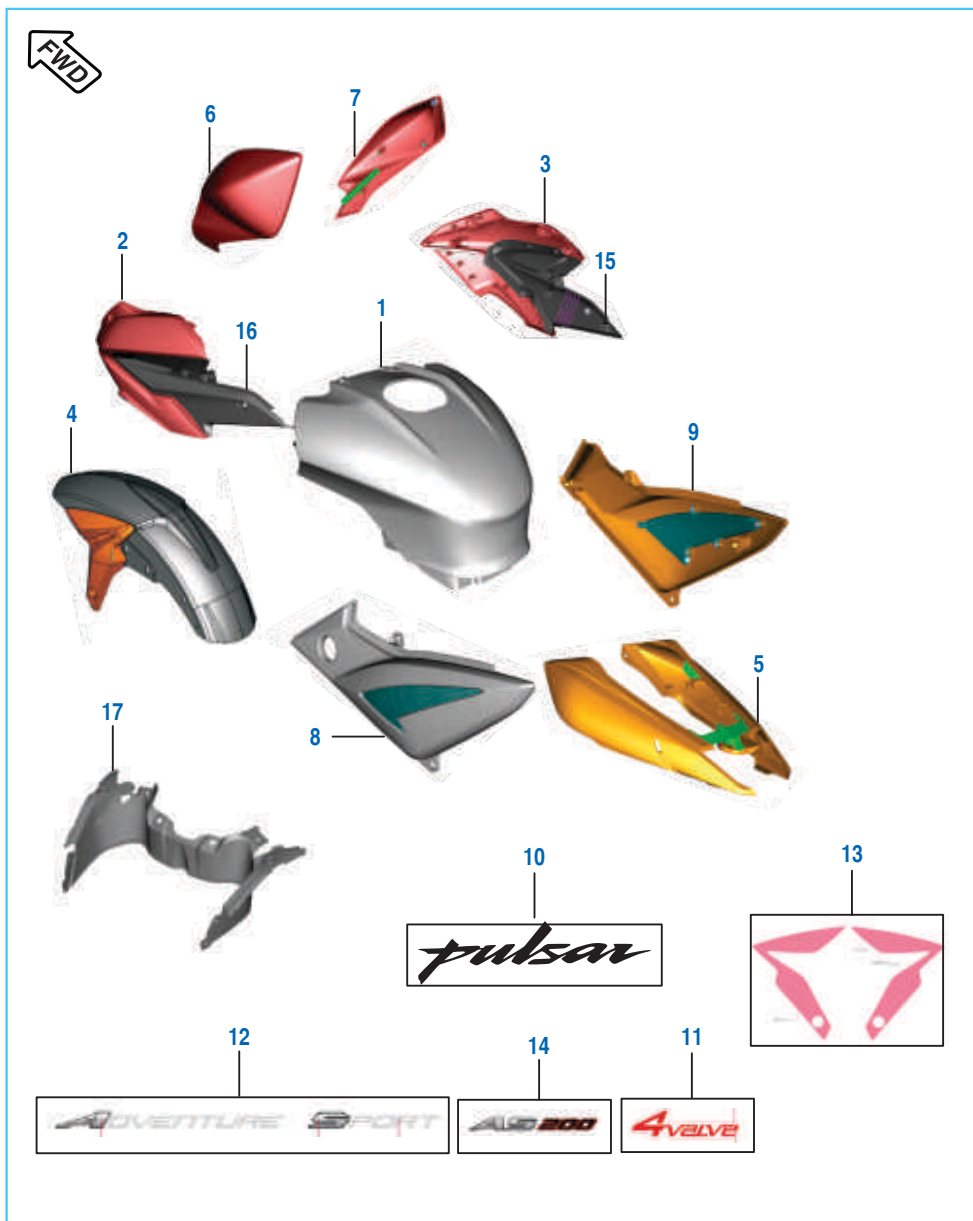
No.	Part No.	Description	Qty.		Remarks
			200 NS	200 AS	
9	52 JL09 97	Cover Side RH Assly Black	1	--	
	52 JL09 98	Cover Side RH Assly White	1	--	
	52 JL09 96	Cover Side RH Assly Red	1	--	
10	JL 2333 16	3D Decal Tank RH	2	--	
11	JL 2330 02	'B' Logo	1	--	
12	JL 2332 98	Decal Wheel Front Black-gray	4	--	
	JL 2332 55	Decal Wheel Front Red-black	4	--	
	JL 2332 69	Decal Wheel Front White-gray	4	--	
	JL 2332 70	Decal Wheel Rear White-gray	4	--	
	JL 2332 56	Decal Wheel Rear Red-black	4	--	
	JL 2332 99	Decal Wheel Rear Black-gray	4	--	
13	36 JL01 22	Kit Fairing Dcl BI-gray	1	--	
	36 JL01 14	Kit Fairing Dcl R-bl	1	--	
	36 JL01 18	Kit Fairing Dcl W-gray	1	--	
14	36 JL01 25	Kit Fender Front Dcl BI-gray	1	--	
	36 JL01 17	Kit Fender Front Dcl R-bl	1	--	
	36 JL01 21	Kit Fender Front Dcl W-gray	1	--	
15	JL 2332 49	Decal S Cover Lh Red-black	1	--	
	JL 2332 92	Decal S Cover Lh Black-gray	1	--	
	JL 2332 63	Decal S Cover Lh White-gray	1	--	
	JL 2332 64	Decal S Cover Rh White-gray	1	--	
	JL 2332 50	Decal S Cover Rh Red-black	1	--	
	JL 2332 93	Decal S Cover Rh Black-gray	1	--	
16	36 JL01 24	Kit Seat Cowl Dcl BI-gray	1	--	
	36 JL01 16	Kit Seat Cowl Dcl R-bl	1	--	
	36 JL01 20	Kit Seat Cowl Dcl W-gray	1	--	

Painted Parts and Decals - Pulsar 200 NS BS IV



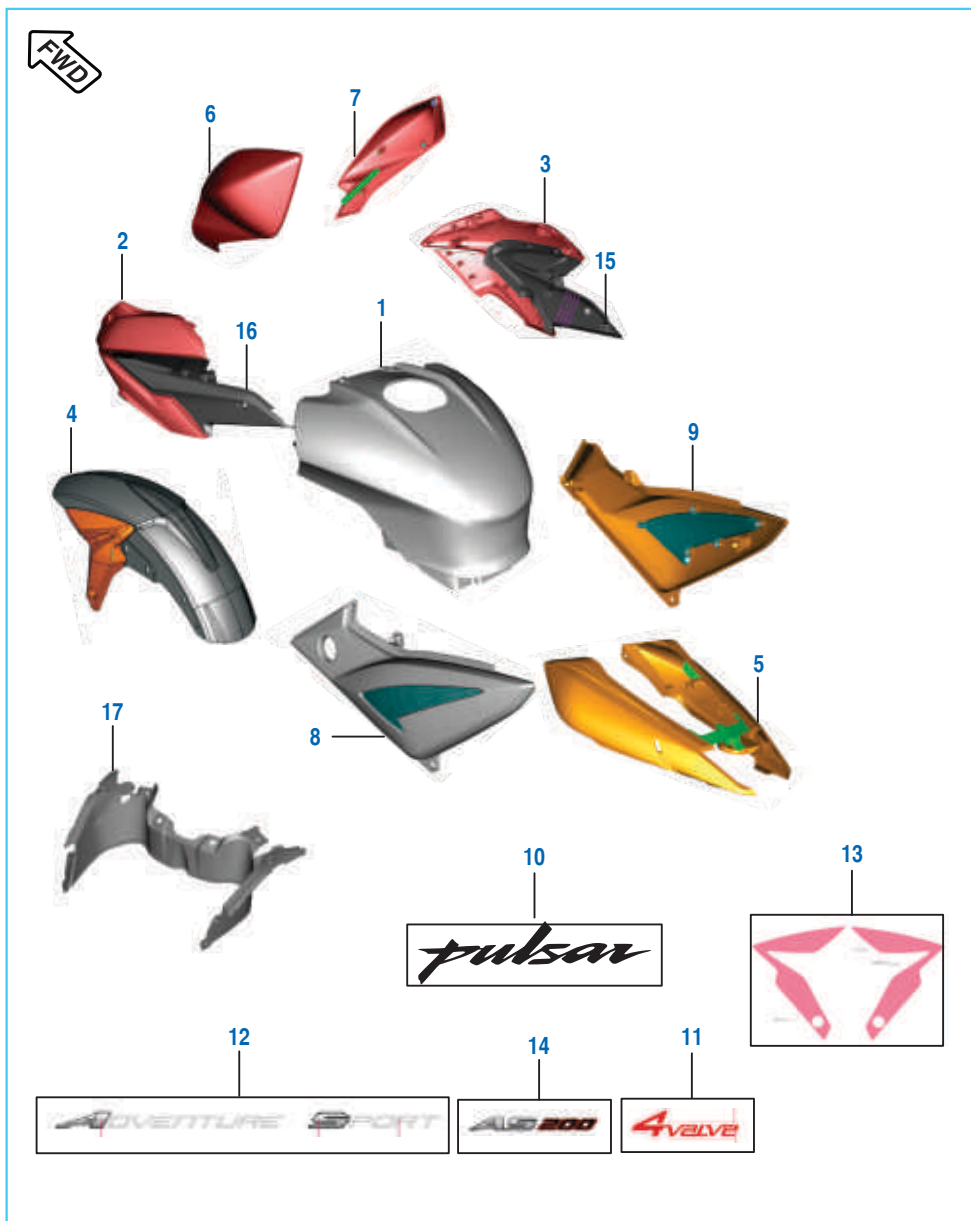
No.	Part No.	Description	Qty.		Remarks
			200 NS	200 AS	
17	36 JL01 23	Kit Cover Tank Dcl Bl-gray	1	--	
	36 JL01 15	Kit Cover Tank Dcl R-bl	1	--	
	36 JL01 19	Kit Cover Tank Dcl W-gray	1	--	
18	56 JL38 31	Belly Pan Lh Sparkle Black	1	--	
	56 JL38 5Y	Belly Pan Lh Metallic White	1	--	
	56 JL38 4R	Belly Pan Lh Passion Red	1	--	
19	56 JL39 5Y	Belly Pan Rh Metaalic White	1	--	
	56 JL39 31	Belly Pan Rh Sparkle Black	1	--	
	56 JL39 4R	Belly Pan Rh Passion Red	1	--	
20	36 JL01 35	Kit Tank Cover Decal Ns200	1	--	
21	JL 2333 18	Decal ABS Fender Front	1	--	

Painted Parts and Decals - Pulsar AS 200



No.	Part No.	Description	Qty.		Remarks
			200 NS	200 AS	
1	56 JL22 4R	Tank Cover Top Passion Red	--	1	
	56 JL22 5N	Tank Cover Top Saffire Blue	--	1	
	56 JL22 X3	Tank Cover Top E Black	--	1	
2	52 JL03 52	Side Fairing Fr LH Red	--	1	
	52 JL03 53	Side Fairing Fr Lh Blue	--	1	
	52 JL03 54	Side Fairing Fr LH Blk	--	1	
3	52 JL03 49	S Fairing Fr RH Red	--	1	
	52 JL03 50	S Fairing Fr RH Blue	--	1	
	52 JL03 51	S Fairing Fr RH Blk	--	1	
4	JL 7501 5L	Fender With Pasion Red Dcl	--	1	
	52 JL00 65	Fender With Pasion Blue Dcl	--	1	
	JL 7501 X3	Fender With Pasion Blk Dcl	--	1	
5	52 JL03 55	Seat Cowl Passion Red	--	1	
	52 JL03 56	Seat Cowl Blue	--	1	
	52 JL03 57	Seat Cowl Black	--	1	
6	56 JI14 4R	Side Mask LH P Red	--	1	
	56 JL14 5N	Side Mask LH S Blue	--	1	
	56 JL14 X3	Side Mask LH E Black	--	1	
7	56 JL15 4R	Side Mask RH P Red	--	1	
	56 JL15 5N	Side Mask RH S Blue	--	1	
	56 JL15 X3	Side Mask RH E Black	--	1	
8	52 JL00 54	Cover Side LH Assly	--	1	

Painted Parts and Decals - Pulsar AS 200



No.	Part No.	Description	Qty.		Remarks
			200 NS	200 AS	
9	52 JL00 55	Cover Side RH Assly	--	1	
10	JL 2330 03	3D Decal Tank LH	--	2	
11	JL 2330 05	Decal Side Cover 4 Valve	--	2	
12	JL 2331 53	Decal Adventure	--	2	Red colour
13	36 JL00 28	Kit Dcl Fender-Blue	--	1	
	36 JL00 61	Kit Dcl Fender P Red	--	1	
	36 JL00 60	Kit Dcl Fender S Blue	--	1	
14	JL 2331 55	Seat Cowl Decal	--	2	
15	56 JL66 4X	Side Fairing Rear RH	--	1	
16	56 JL67 4X	Side Fairing Rear LH	--	1	
17	JL 1814 39	Tank Cover Top Inner	--	1	

Consumable Parts



No.	Part No.	Description	Supply Unit	Application
1	36 0010 61	Bajaj Genuine Oil 10W50	1.5 Ltr.	Dominar 400
	83 0204 11	Bajaj Genuine Oil 10W30	1 Ltr.	100cc Models
	83 0203 34	Bajaj Genuine Oil 20W50 (BGO to be ordered to HPCL)	1 Ltr.	125cc and above models
2	36 0010 58	Bajaj Coolant Koolex	1 Ltr.	Coolant Top-up/Replace
3	36 DH40 61	Brake Fluid DOT4	100 ml	Disc Brake Top-up/Replace
	83 0203 25	Brake Fluid DOT3	100 ml	Disc Brake Top-up/Replace
4	36 0010 52	Silicon grease	3 gm	Caliper Pin
5	83 0204 73	Grease Petamo GHY 441	3 gm	Water Pump Seals
	83 0203 68	Grease Molycoat	200 gm	For Starter Clutch Lubrication
6	36 0010 52	HP Lithon RR Grease	10 gm	Steering Race
7	83 0201 73	Multi Purpose Grease (Local Purchase)	--	Lubrication of Clutch Lever, Brake Lever, Brake Pedal & Side Stand
8	36 0010 55	Chain Lubricant HP Make	1 kg	Non - Sealed Chain Lubrication
9	36 0010 62	Liquid gasket L5910	50 ml	Crankcase Joining
10	36 3140 04	Fork oil	160 ml	Front Fork Top-up/Replace\
11	36 DH40 29	Kit Spray Chain Lub	100 ml	Sealed Drive Chain
12	36 DH40 71	Wonderfill Chain Spray	100 ml	Sealed Drive Chain

Consumable Parts

<p>13</p> 	<p>14</p> 	<p>15</p> 
<p>16</p> 	<p>17</p> 	<p>18</p> 
<p>19</p> 	<p>20</p> 	<p>21</p> 
<p>22</p> 	<p>23</p> 	<p>24</p> 

No.	Part No.	Description	Supply Unit	Application
13	36 DH40 72	Rust Remover Spray Make - Zorric 88 & Wonder fill easiner	100 ml	For Removing Rust from Components
14	76 0109 36	Loctite Thread locker 243	50 ml	For Screws & Bolts
15	76 0109 37	Loctite retaining compound 638	50 ml	For Screws & Bolts
16	37 0043 52	Touch up paint slate grey	440 ml	Touch up of Frame, Swing Arm & Step Holder
17	37 0043 53	Touch up paint Matte Silk black	440 ml	Touch up of Grab Handle, Handle Bar & Handle Holder
18	36 0010 60	Kibatsu touch up paint	400 cc	Touch up of Cylinder head, Block & Alloy Wheels
19	37 2240 18	Paint Bottle Schwartz Black	--	P-200NS Frame Touch-up
20	75 6802 36 NA	Petroleum Jelly (Local Purchase) Distilled Water (Local Purchase)	-- 1 Ltr.	For Battery Terminals For Battery Level Top-up
21	NA	SAE 90 oil (Local Purchase)	-	
22	62 3050 84	WD40 Spray (Local Purchase)	400 ml	Electrical Contact Cleaning Spray
23	36 0010 56	Carburetor Cleaning Spray		For Cleaning Carburetor
24	37 2540 39	Corrosion Protection Spray Proto quick LTP902 (To be ordered on Vendor)	--	For Preventing vehicle parts from rusting

Kit List



Sr No	Kit Part No.	Kit Description	Consisting of Following Parts		
			Part No.	Description	Qty/Kit
1.	36JL0005	Kit Primary Drive+driven-P200	JG551216	Gear Primary Drive 22T	1
			JU551405	Housing Clutch Assy Comp	1
2.	36JL0009	Kit Chain Sprocket-P200	DV101048	Sprocket Output (14T)	1
			JL141000	Chain O Ring Type	1
			JL131228	Sprocket 39T O Ring Chain	1
3.	36JL0011	Kit Valve Repaire-P200	39201719	Seal - Oil	1
			JF511215	Seat Valve Spring	1
			JF511217	Valve Spring	1
			JF511214	Retainer Valve Spring	1
			DG101029	Collet	2
4.	36JL0012	Kit Tank Damper-P200	JL171028	Damper Tank Cover Fr LH	1
			JL171029	Damper Tank Cover Fr RH	1
			JL171030	Damper Tank Cover Center LH	1
			JL171031	Damper Tank Cover Center RH	1
			JL171032	Damper Tank Cover Rear	1
			JL171038	Beading Tank LH	1
5.	36JL0013	Kit Seat Damper-P200	JL191007	Damper For Seat	6
			DK211007	Damper Seat Front	1
6.	36JL0014	Kit Engine Gasket-P200	JL541207	Gasket Clutch Cover	1
			JL541208	Gasket Magneto Cover	1
			JL521002	Gasket Cylinder Block	1
			JL511022	Gasket Cylinder Head	1
			JG541041	Gasket Crankcase	1
			CS101128	Gasket	1
			JL511001	Gasket Head Cover(rubber)	1
			JG591070	Gasket Exhaust	1
7.	36JL0003	Kit Assly C'case LH-P200	JL541019	Crankcase LH Black	1
			JC101077	Plug Taper	2
			JG541021	Oil Nozzle	1
			JG541015	Needle Bearing HK 1514 RS	1
			39256220	Bearing - Needle Roller	1
			JG541020	Jet Oil Crankcase RH	1

Kit List



Sr No	Kit Part No.	Kit Description	Consisting of Following Parts		
			Part No.	Description	Qty/Kit
8.	36JL0004	Kit Assly C' Case RH-P200	JL541010	Crankcase RH Black	1
			BA102003	Plug - Oil Hole	3
			39256220	Bearing - Needle Roller	1
			JL541008	Pipe Breather Crankcase	1
9.	36JL0007	Kit Block & Piston-P200	JL521200	Piston Assly Compl	1
			JL521004	Cylinder Block With Pipe Breather	1
10.	36JL0010	Kit Assly Cyl Head-P200	JL511019	Cylinder Head	1
			39128321	Ring - O	1
			JG511046	Stud (M8*1.25)	2
11.	36JL0001	Kit Chain Guide-P200	JL531004	Guide Chain (Slack Side)	1
			JL531005	Guide Chain (Tight Side)	1
12.	36JL0002	Kit Asly Cl Cover-P200	JL541206	Clutch Cover P2011	1
			JC101077	Plug Taper	1
			JL541218	Jet Oil Cover Clutch	1
			JG541021	Oil Nozzle	2
			39199020	Bearing - Needle	1
13.	36JU0001	Kit Piston Ring-P200	JU521206	Ring Piston Top	1
			JU521207	Ring Piston Second	1
			JU521208	Ring Piston Oil	1
14.	36JU0002	Kit Friction Plate-P200	JG551448	Friction Disk A	5
			JG551455	Disc C-Clutch Friction	1
15.	36JL0019	Kit Jet P200	-- ---- --	Jet Needle	1
			-- ---- --	Needle Jet	1
			-- ---- --	Je Holder	1
			-- ---- --	Main Jet	1
			DK121063	Pilot Jet	1
16.	36JL0022	Kit Piston Valve P200	-- ---- --	Vacuum Piston Compl.	1
			DK121055	Diaphragm	1
			DK121054	Spring	1

Kit List



Sr No	Kit Part No.	Kit Description	Consisting of Following Parts		
			Part No.	Description	Qty/Kit
17.	36JL0020	Kit VC Screw P200	-- ---- -- DH121130 DH121086 DH121087 DH121088	Screw Adjuster VC O- Ring Screw VC Spring Screw VC Plain Washer O- Ring Screw VC	1 1 1 1 1
18.	36JL0021	Kit Idling Screw P200	-- ---- -- DH121163 DH121077	Screw Idling Adjustment Plain Washer Spring	1 1 1
19.	36JL0023	Kit Gasket / 'O' ring P200	DK121058 DH121118 DH121088 DH121130	O-Ring / Gasket Float Chamber O-Ring - Drain Screw O-Ring - VC Screw O-Ring - VC Screw	1 1 1 1
20.	36JL0024	Kit Jet Needle Hardware P200	DD121056 DD121050 DD121052 Dd121054	Holder For Jet Needle Spring-Jet Needle Washer-Jet Needle E-Clip	1 1 1 1

Kit List



Sr No	Kit Part No.	Kit Description	Consisting of Following Parts		
			Part No.	Description	Qty/Kit

Parts Index



Part Number	Figure No.	Page No.
01 1100 05	16	20
30 1011 95	3	38
30 1510 82	9	78
30 1910 38	14	80
30 1910 48	3	128
30 2010 64	4	128
31 1011 73	7	14
31 1610 78	11	100
31 1610 78	29	106
31 2010 79	5	82
33 1410 08	7	4
36 0010 52	4	150
36 0010 52	6	150
36 0010 55	8	150
36 0010 56	23	152
36 0010 58	2	150
36 0010 60	18	152
36 0010 61	1	150
36 0010 62	9	150
36 3140 04	10	150
36 DH19 02	4	74
36 DT00 55	3	40
36 JE00 22	23	42
36 JG00 04	2	30
36 JG00 11	7	58
36 JG00 83	20	80
36 JL00 01	15	10
36 JL00 05	3	14
36 JL00 05	3	40
36 JL00 07	1	12
36 JL00 09	2	78
36 JL00 10	4	6
36 JL00 11	10	8
36 JI00 12	5	96
36 JL00 13	2	54
36 JL00 14	17	26
36 JL00 15	14A	62

Part Number	Figure No.	Page No.
36 JL00 19	5	42
36 JL00 20	6	42
36 JL00 21	7	42
36 JL00 22	8	42
36 JL00 23	10	42
36 JL00 24	9	42
36 JL00 25	1	68
36 JL00 28	13	148
36 JL00 31	26	102
36 JL00 39	11	28
36 JL00 41	24	64
36 JL00 46	1	36
36 JL00 60	13	148
36 JL00 61	13	148
36 JL00 94	1	26
36 JL00 95	2	22
36 JL01 14	13	142
36 JL01 15	17	144
36 JL01 16	16	142
36 JL01 17	14	142
36 JL01 18	13	142
36 JL01 19	17	144
36 JL01 20	16	142
36 JL01 21	14	142
36 JL01 22	13	142
36 JL01 23	17	144
36 JL01 24	16	142
36 JL01 25	14	142
36 JL01 35	20	144
36 JL01 41	2	84
36 JL01 42	3	84
36 JU00 01	2	12
36 JU00 02	6	40
36 JU00 15	15	128
36 JU00 36	1	14
36DH4029	11	150
36DH4061	3	150

Parts Index



Part Number	Figure No.	Page No.
36DH4071	12	150
36DH4072	13	152
37 0043 52	16	152
37 0043 53	17	152
37 2240 18	19	152
37 2540 39	24	152
39 0198 11	15	80
39 0198 11	11	116
39 0211 11	17	120
39 0239 11	8	44
39 0239 11	15	66
39 0239 11	19	102
39 0242 11	9	66
39 0265 12	10	114
39 0291 15	3	110
39 0326 15	11	66
39 0422 15	11	68
39 0454 11	11	60
39 0553 02	12	60
39 0594 17	28	24
39 0705 01	14	124
39 0722 11	9	108
39 0732 12	28	34
39 0740 11	25	98
39 0746 01	21	24
39 0808 08	6	20
39 0808 08	16	80
39 0840 01	12	72
39 0849 14	12	50
39 0900 12	11	72
39 0999 06	5	30
39 0999 06	11	36
39 0999 06	4	38
39 1041 19	10	36
39 1043 19	8	26
39 1046 19	15	36
39 1053 15	19	60

Part Number	Figure No.	Page No.
39 1054 11	22	98
39 1055 15	20	64
39 1062 04	9	56
39 1076 01	20	102
39 1180 11	3	86
39 1197 04	18	102
39 1225 15	3	122
39 1283 21	9	6
39 1507 11	9	128
39 1537 21	7A	36
39 1551 04	27	34
39 1665 11	15	28
39 1672 04	5	94
39 1673 04	10	6
39 1681 04	10	124
39 1689 04	5	68
39 1769 04	2	82
39 1769 04	5	124
39 1773 04	6	26
39 1776 02	25	102
39 1776 02	6	108
39 1778 02	7	100
39 1778 02	7	104
39 1780 01	16	42
39 1781 01	13	100
39 1781 01	14	116
39 1791 04	3	114
39 1907 01	8	100
39 1907 01	8	124
39 1907 01	13	126
39 1913 04	11	54
39 1931 20	2	14
39 1931 20	6	14
39 1931 20	3	22
39 1941 04	4	68
39 1943 04	8	66
39 1943 04	21	98

Parts Index



Part Number	Figure No.	Page No.
39 1943 04	17A	102
39 1943 04	10	116
39 1944 04	5	32
39 1944 04	23	34
39 1944 04	4	52
39 1944 04	5	58
39 1944 04	14	128
39 1946 04	7	66
39 1946 04	5	68
39 1946 04	18	98
39 1951 04	3	56
39 1954 04	18	64
39 1956 04	10	128
39 1958 04	13	84
39 1972 15	15	124
39 1990 20	2	36
39 2005 11	18	22
39 2017 19	1	8
39 2038 04	6	66
39 2038 04	17	78
39 2038 04	7A	134
39 2060 04	13	68
39 2060 04	3	100
39 2132 17	5	12
39 2140 04	21	80
39 2141 24	7	94
39 2141 24	9	100
39 2141 24	19	104
39 2141 24	13	116
39 2141 24	2	124
39 2141 24	3	126
39 2158 11	2	16
39 2159 11	24	16
39 2165 11	4	14
39 2165 11	8	50
39 2166 11	13	16
39 2181 06	3	12

Part Number	Figure No.	Page No.
39 2200 11	10	14
39 2200 11	12	40
39 2203 07	5	14
39 2204 04	14	32
39 2205 04	10	128
39 2241 20	3	72
39 2241 20	3	78
39 2242 20	4	78
39 2381 04	3	96
39 2420 01	10	66
39 2420 01	24	80
39 2427 04	10	86
39 2440 11	12	8
39 2453 04	9	20
39 2469 04	6	68
39 2475 04	5	62
39 2475 04	6	82
39 2476 04	17	124
39 2484 15	7	96
39 2484 15	15	124
39 2492 11	12	48
39 2535 15	22	120
39 2562 20	20	22
39 2562 20	13	26
39 2601 20	11	22
39 2602 20	8	22
39 2606 07	3	18
39 2606 07	16	28
39 2608 01	15	6
39 2629 21	8	6
39 2669 21	10	10
39 2699 20	16	6
39 2704 11	35	34
39 2711 15	29	34
39 2723 15	6	56
39 2723 15	13	134
39 2754 04	11	48

Parts Index



Part Number	Figure No.	Page No.
39 2758 21	6A	96
52 JF00 62	4	20
52 JL00 54	8	138
52 JL00 54	8	146
52 JL00 55	9	138
52 JL00 55	9	148
52 JL00 59	6	138
52 JL00 65	6	138
52 JL00 65	4	146
52 JL00 66	6	138
52 JL00 67	6	138
52 JL00 72	17	68
52 JL00 73	1	36
52 JL01 41	5	72
52 JL01 42	16	78
52 JL01 58	8	62
52 JL01 59	2	62
52 JL01 88	6	138
52 JL01 89	6	138
52 JL01 90	6	138
52 JL01 91	5	138
52 JL01 92	4	136
52 JL01 93	5	138
52 JL01 94	4	136
52 JL01 95	5	138
52 JL01 96	4	136
52 JL01 97	5	138
52 JL01 98	4	136
52 JL02 16	2	136
52 JL02 17	3	136
52 JL02 18	2	136
52 JL02 19	3	136
52 JL02 20	2	136
52 JI02 21	3	136
52 JL03 49	3	146
52 JL03 50	3	146
52 JL03 51	3	146

Part Number	Figure No.	Page No.
52 JL03 52	2	146
52 JL03 53	2	146
52 JL03 54	2	146
52 JL03 55	5	146
52 JL03 56	5	146
52 JL03 57	5	146
52 JL04 20	1	20
52 JL08 92	1	36
52 JL09 17	1	140
52 JL09 18	5	140
52 JL09 19	4	140
52 JL09 20	7	140
52 JL09 26	1	140
52 JL09 27	5	140
52 JL09 28	4	140
52 JL09 29	7	140
52 JL09 35	1	140
52 JL09 36	5	140
52 JL09 37	4	140
52 JL09 38	7	140
52 JL09 92	8	140
52 JL09 93	8	140
52 JL09 94	8	140
52 JL09 96	9	142
52 JL09 97	9	142
52 JL09 98	9	142
52 JL10 18	6	140
52 JL10 19	6	140
52 JL10 20	6	140
52 JL10 35	2	62
52 JY01 85	9	50
56 JL01 01	14	62
56 JL02 01	15	62
56 JL02 3G	9	124
56 JL04 01	2	96
56 JL06 01	1	56
56 JL07 01	2	56

Parts Index



Part Number	Figure No.	Page No.	Part Number	Figure No.	Page No.
56 JL07 3G	13	62	56 JL4L 1Y	13	62
56 JL08 3G	17	64	56 JL4M 1Y	17	64
56 JL10 4R	7	138	56 JL66 4X	15	148
56 JL10 5N	7	138	56 JL67 4X	16	148
56 JL10 5Y	7	138	59 0200 01	14	100
56 JL10 X3	7	138	59 0400 14	17	100
56 JI14 4R	6	146	59 2000 06	11	26
56 JL14 5N	6	146	59 2000 28	14	22
56 JL14 X3	6	146	59 2000 36	2	28
56 JL15 4R	7	146	59 2100 19	10	72
56 JL15 5N	7	146	62 3050 84	22	152
56 JL15 X3	7	146	75 6802 36	20	152
56 JL1W 3V	1	38	76 0109 36	14	152
56 JL20 42	2	140	76 0109 37	15	152
56 JL20 45	2	140	83 0201 73	7	150
56 JL20 46	2	140	83 0203 25	3	150
56 JL20 X3	2	136	83 0203 34	1	150
56 JL21 42	3	140	83 0203 68	5	150
56 JL21 45	3	140	83 0204 11	1	150
56 JL21 46	3	140	83 0204 73	5	150
56 JL21 X3	3	136	AA 1014 37	9	22
56 JL22 4R	1	146	AA 1014 37	17	36
56 JL22 5N	1	146	AA 1410 67	8	4
56 JL22 X3	1	136	AK 2010 12	18A	130
56 JL22 X3	1	146	AN 1013 48	15	58
56 JL31 5X	2	86	AN 1110 15	13	52
56 JL32 5X	6	86	AP 1012 36	3	10
56 JL33 5X	18	92	AP 2010 25	18	130
56 JL38 31	18	144	BA 1220 03	34	34
56 JL38 4R	18	144	BA 1220 03	29	98
56 JL38 5Y	18	144	BF 5510 37	6	16
56 JL39 31	19	144	BF 5510 37	15	16
56 JL39 4R	19	144	BF 5610 20	13	26
56 JL39 5Y	19	144	BF 5610 20	22	26
56 JL3Y 1Y	1	62	CB 1210 42	12	42
56 JL4J 1Y	12	62	CS 1011 28	12	10
56 JL4K 1Y	16	64	DD 1110 11	18	52

Parts Index



Part Number	Figure No.	Page No.	Part Number	Figure No.	Page No.
DD 1110 12	11	52	DH 1015 09	3	20
DD 1412 27	17	98	DH 1016 07	5	48
DD 2010 02	12	124	DH 1016 48	13	40
DE 1510 46	10	80	DH 1021 17	9	36
DE 1510 47	3	76	DH 1110 13	16	52
DE 1510 47	9	80	DH 1110 16	17	52
DE 1910 10	10	74	DH 1210 63	14	42
DE 1910 10	8	80	DH 1210 64	13	42
DE 1910 10	11	84	DH 1611 46	16	68
DE 1910 28	7	74	DH 1611 58	12	100
DE 1910 29	6	74	DH 1910 06	9	82
DE 1910 33	15	74	DH 1910 13	4	82
DF 1611 02	12	68	DH 1910 17	17	88
DG 1010 29	9	8	DJ 1013 12	27	16
DG 1014 18	8	36	DJ 1510 74	6	76
DG 1014 56	10	26	DJ 1510 75	7	76
DG 1210 02	12	44	DJ 1610 69	3	66
DG 1410 28	26	98	DJ 1610 91	22	66
DG 1510 05	4	72	DJ 1612 29	4	100
DG 1611 24	2	68	DJ 1612 29	18	124
DG 1710 15	17	60	DJ 1810 29	15	120
DG 1710 16	4	60	DJ 1810 64	16	120
DG 1710 18	5	60	DJ 1810 65	2	32
DG 1710 19	6	60	DJ 1810 65	22	34
DG 1810 03	28	92	DJ 1810 65	9	94
DG 1810 04	27	92	DJ 1910 23	14	74
DG 1810 08	8	86	DJ 1910 29	2	74
DG 1810 08	25	92	DJ 1910 30	3	74
DH 10 13 89	13	50	DJ 1910 31	5	74
DH 1010 48	9	28	DJ 1910 56	8	74
DH 1011 99	6	52	DJ 1910 57	1	74
DH 1012 35	12	16	DJ 1910 82	11	86
DH 1012 95	11	8	DJ 1910 83	12	86
DH 1013 81	3	26	DJ 2010 52	24	130
DH 1013 88	22	36	DJ 2011 00	9	74
DH 1013 92	14	10	DJ 2011 09	27	88
DH 1013 96	9	50	DJ 2011 73	17	66

Parts Index



Part Number	Figure No.	Page No.
DJ 2012 46	13	86
DJ 2210 19	1	132
DK 1012 25	14	6
DK 1012 84	5	52
DK 1013 52	25	16
DK 1013 86	10	28
DK 1016 10	11	48
DK 1110 11	20	52
DK 1110 28	8	52
DK 1210 45	21	42
DK 1210 47	15	42
DK 1510 12	9	78
DK 1510 13	8	78
DK 1510 15	14	78
DK 1510 26	2	70
DK 1510 31	2	80
DK 1510 36	1	78
DK 1510 45	19	80
DK 1510 63	7	80
DK 1510 69	11	74
DK 1510 69	4	80
DK 1510 69	12	84
DK 1510 73	17	80
DK 1510 74	18	80
DK 1510 81	20	78
DK 1510 82	21	78
DK 1510 83	1	80
DK 1510 85	13	80
DK 1510 88	11	80
DK 1510 89	12	80
DK 1612 09	5	110
DK 1810 06	4	90
DK 1810 07	5	90
DK 1810 09	14A	90
DK 1810 10	14B	90
DK 1810 11	14E	90
DK 1810 12	14C	90

Part Number	Figure No.	Page No.
DK 1810 13	14D	90
DK 1810 15	11	90
DK 1810 17	9	90
DK 1810 18	7	90
DK 1810 19	8	90
DK 1810 20	10	90
DK 1810 21	6	90
DK 1810 22	16	92
DK 1810 23	17	92
DK 1810 25	23	92
DK 1810 28	24	92
DK 1810 75	10	58
DK 2010 43	9	120
DK 2010 44	21	118
DK 2110 07	3	54
DK 2210 24	2	132
DL 1610 15	21	102
DP 1011 14	16	40
DP 1011 43	15	40
DP 1011 91	23	24
DP 1611 45	16	124
DP 1611 45	25	124
DP 1611 45	10	126
DS 1011 54	8	28
DS 1012 15	9	36
DS 1211 26	13	44
DS 1410 12	3	108
DS 1611 25	2	66
DS 1612 87	6	54
DS 1910 52	28	88
DS 2010 25	19	130
DT 1130 14	22	64
DT 1130 15	23	64
DT 1138 48	18	60
DT 1138 49	21	46
DT 1138 50	4	84
DT 1138 54	35	102

Parts Index



Part Number	Figure No.	Page No.
DT 1138 55	14	58
DT 1210 40	3	90
DT 1318 32	14	84
DT 1318 49	15	84
DT 1318 72	9	84
DT 1318 78	16	72
DT 1610 05	16	88
DT 1810 00	5	114
DT 1810 10	13	104
DT 1810 10	16	110
DT 1813 10	20	120
DT 1813 11	21	120
DT 1813 22	13	58
DT 1814 14	4	114
DT 1814 15	6	114
DT 1814 34	6A	66
DT 1814 35	23	66
DT 2326 01	18	88
DT 2326 06	2	96
DT 4020 06	7A	128
DT 5112 39	1	10
DT 5112 61	4	8
DT 5112 62	5	8
DT 5410 19	5	36
DT 5412 12	1	36
DT 5514 00	1	40
DT 5514 01	8	40
DT 5514 02	5	40
DT 5514 03	10	40
DT 5514 08	7	40
DT 5514 09	1	40
DT 5514 12	2	40
DT 5612 06	10	20
DU 1012 25	7	10
DV 1010 48	29	16
EC 4010 30	22	118
EC 5610 23	2	18

Part Number	Figure No.	Page No.
FD 2110 06	5	54
GH 2010 12	4	122
JA 1134 03	5	56
JA 3516 27	14	50
JA 5410 48	15	26
JA 5412 33	2	38
JA 5813 14	11	42
JB 1812 23	10	94
JB 1812 23	5	110
JC 1010 34	9	10
JC 1510 19	3	112
JC 1510 20	8	72
JC 1810 22	21	92
JC 1810 23	20	92
JC 2010 43	4	112
JC 2010 46	9	72
JD 1138 00	20	124
JD 1138 14	14	4
JD 1138 15	15	4
JD 1318 11	6	72
JD 1710 18	34	102
JD 1710 59	20	46
JD 1910 06	8	54
JD 3512 07	12	52
JD 3518 00	17	42
JD 4010 07	11	124
JD 4010 23	21	124
JD 4022 12	21	130
JD 4022 17	22	130
JD 5614 16	5	20
JE 5412 18	26	24
JE 5810 39	12	4
JF 1130 07	21B	64
JF 1130 08	22	64
JF 1130 09	2	62
JF 1138 38	13	46
JF 1716 07	9	46

Parts Index



Part Number	Figure No.	Page No.
JF 1718 04	12	46
JF 1718 06	19	46
JF 1718 07	16	46
JF 4010 16	18	66
JF 5112 07	7	8
JF 5112 28	1	10
JG 1134 07	7	66
JG 1138 26	8	84
JG 1220 28	2	114
JG 1310 01	2	72
JG 1312 19	6	78
JG 1318 21	5	80
JG 1510 22	17	88
JG 1610 08	12	86
JG 1610 10	1	74
JG 1710 29	20	34
JG 1710 29	17	46
JG 1812 35	3	116
JG 1812 36	2	116
JG 1812 38	2	110
JG 1812 59	12	110
JG 1910 08	4	54
JG 2326 01	9	54
JG 2326 06	10	54
JG 3510 19	10	50
JG 3512 09	9	52
JG 3514 00	13	6
JG 4016 01	8	128
JG 4018 08	12	128
JG 5090 03	7	30
JG 5110 21	3	2
JG 5110 22	4	2
JG 5110 46	5	6
JG 5112 69	7	10
JG 5112 70	13	10
JG 5310 27	8	14
JG 5310 31	9	14

Part Number	Figure No.	Page No.
JG 5310 39	13	14
JG 5310 39	5	50
JG 5310 40	14	14
JG 5310 40	6	50
JG 5310 41	12	14
JG 5310 41	4	50
JG 5312 07	7	28
JG 5312 11	3	28
JG 5312 12	4	28
JG 5312 15	5	28
JG 5312 20	2	10
JG 5312 28	3	28
JG 5312 29	4	28
JG 5410 15	12	26
JG 5410 41	16	26
JG 5410 43	15	50
JG 5410 44	5	26
JG 5410 45	22	24
JG 5410 46	4	22
JG 5410 58	18	26
JG 5410 59	10	22
JG 5410 63	4	26
JG 5410 68	1	6
JG 5412 30	7	36
JG 5412 31	16	36
JG 5510 00	22	16
JG 5510 10	26	16
JG 5510 13	3	16
JG 5510 15	5	36
JG 5510 17	4	36
JG 5510 20	5	16
JG 5510 20	18	16
JG 5510 21	19	16
JG 5510 22	10	16
JG 5510 25	11	16
JG 5510 27	1	16
JG 5510 31	26	16

Parts Index



Part Number	Figure No.	Page No.
JG 5512 13	4	16
JG 5512 14	7	16
JG 5512 15	20	16
JG 5512 20	8	16
JG 5512 22	16	16
JG 5512 23	17	16
JG 5512 24	21	16
JG 5512 25	23	16
JG 5512 27	9	16
JG 5512 28	14	16
JG 5514 23	14	40
JG 5514 27	2	40
JG 5514 28	4	40
JG 5514 43	8	40
JG 5514 47	7	40
JG 5514 49	5	40
JG 5514 51	11	40
JG 5610 09	17	22
JG 5610 10	4	18
JG 5610 11	1	18
JG 5610 12	7	18
JG 5610 13	8	18
JG 5610 16	9	18
JG 5612 00	10	20
JG 5612 04	15	22
JG 5612 05	16	22
JG 5612 15	11	18
JG 5612 15	11	20
JG 5612 17	13	20
JG 5612 18	12	20
JG 5612 22	5	18
JG 5612 25	10	18
JG 5612 26	19	22
JG 5612 32	12	20
JG 5710 14	24	24
JG 5710 16	25	24
JG 5710 18	3	30

Part Number	Figure No.	Page No.
JG 5710 24	14	26
JG 5810 14	30	34
JG 5810 14	8	58
JG 5812 42	9	44
JG 5814 42	22	42
JG 5910 38	3	48
JG 5910 39	6	48
JG 5910 53	13	48
JG 5910 70	10	48
JG 5910 88	15	48
JG 5910 97	8	48
JG 6010 05	6	28
JG 6010 07	6	22
JG 6010 11	12	28
JG 6010 12	13	28
JG 6012 09	8	32
JG 6012 11	18	34
JG 6012 13	25	34
JG 6012 21	7	32
JG 6012 21	13	32
JG 6012 29	17	34
JG 6012 30	31	34
JG 6012 34	8	32
JG 6012 35	17	34
JG 6012 37	16	32
JG 6012 37	16B	34
JG 6214 12	3	50
JG 6214 13	2	50
JG 6214 17	7	50
JH 1710 48	14	46
JL 1110 54	4	56
JL 1110 78	6	58
JL 1110 81	3	58
JL 1110 82	4	58
JL 1110 92	7	56
JL 1110 93	8	56
JL 1111 02	33	102

Parts Index



Part Number	Figure No.	Page No.
JL 1716 00	2	96
JL 1716 07	18	46
JL 1718 00	13	96
JL 1718 01	16	98
JL 1718 02	10	96
JL 1718 03	15	96
JL 1718 10	1	96
JL 1718 23	28	102
JL 1718 24	29	102
JL 1718 37	6	46
JL 1810 06	5	114
JL 1810 08	1	116
JL 1810 19	1	94
JL 1810 25	9	110
JL 1812 03	6	116
JL 1812 05	1	114
JL 1812 09	13	66
JL 1812 14	23	102
JL 1812 14	4	108
JL 1812 18	11	128
JL 1812 19	22	102
JL 1812 20	22	102
JL 1812 21	14	66
JL 1812 24	15	60
JL 1812 25	16	60
JL 1812 32	6	94
JL 1812 33	5	138
JL 1812 34	4	136
JL 1812 35	19	92
JL 1812 35	18	118
JL 1812 36	15	116
JL 1812 37	17	116
JL 1812 41	4	110
JL 1812 45	3	120
JL 1812 47	5	116
JL 1812 49	16	116
JL 1812 53	13	114

Part Number	Figure No.	Page No.
JL 1812 56	3	32
JL 1812 57	28	118
JL 1812 64	26	130
JL 1812 83	26	118
JL 1812 84	27	118
JL 1812 88	1	108
JL 1812 93	12	100
JL 1812 97	15	114
JL 1813 07	16	114
JL 1813 17	8	94
JL 1813 18	1	94
JL 1814 02	4	66
JL 1814 05	1	66
JL 1814 07	6	114
JL 1814 08	7	114
JL 1814 09	4	114
JL 1814 10	12	114
JL 1814 11	5	66
JL 1814 11	6A	66
JL 1814 16	14	120
JL 1814 17	5	120
JL 1814 24	4	104
JL 1814 25	3	104
JL 1814 26	1	120
JL 1814 27	13	110
JL 1814 32	18	104
JL 1814 33	16	66
JL 1814 36	20	66
JL 1814 37	11	110
JL 1814 39	17	148
JL 1814 40	1	32
JL 1814 47	2	104
JL 1814 48	5	104
JL 1814 49	1	104
JL 1814 50	6	104
JL 1814 52	1	94
JL 1814 53	4	120

Parts Index



Part Number	Figure No.	Page No.
JL 1814 55	17	110
JL 1814 56	11	104
JL 1814 57	12	104
JL 1814 64	4	66
JL 1814 68	24	66
JL 1910 01	1	54
JL 1910 04	7	54
JL 1910 08	30	102
JL 1910 09	31	102
JL 2310 03	2	132
JL 2312 01	1	134
JL 2312 02	6	134
JL 2312 03	2	134
JL 2312 09	15	134
JL 2312 11	6	134
JL 2312 13	1	134
JL 2312 14	2	134
JL 2314 04	3	134
JL 2314 05	4	134
JL 2316 00	23	88
JL 2316 00	8	134
JL 2316 01	22	88
JL 2316 01	9	134
JL 2326 04	12	54
JL 2326 05	18	88
JL 2328 05	2	96
JL 2328 05	6	124
JL 2328 08	20	124
JL 2328 10	1	126
JL 2328 11	8	126
JL 2328 24	6	124
JL 2330 02	11	142
JL 2330 03	10	148
JL 2330 04	10	138
JL 2330 05	11	148
JL 2330 15	9	38
JL 2331 53	12	148

Part Number	Figure No.	Page No.
JL 2331 55	14	148
JL 2332 49	15	142
JL 2332 50	15	142
JL 2332 55	12	142
JL 2332 56	12	142
JL 2332 63	15	142
JL 2332 64	15	142
JL 2332 69	12	142
JL 2332 70	12	142
JL 2332 92	15	142
JL 2332 93	15	142
JL 2332 98	12	142
JL 2332 99	12	142
JL 2333 16	10	142
JL 2333 18	21	144
JL 3510 03	3	52
JL 3510 09	2	52
JL 3510 38	3	52
JL 3512 00	10	52
JL 3512 01	14	52
JL 3512 02	15	52
JL 3512 18	9	52
JL 3512 19	22	52
JL 3512 30	15	52
JL 3512 32	14	52
JL 3512 41	10	52
JL 3512 46	10	52
JL 3516 00	1	50
JL 3518 00	7	26
JL 4010 02	7	124
JL 4010 02	12	126
JL 4010 04	1	122
JL 4010 04	2	122
JL 4010 06	1	122
JL 4010 06	2	122
JL 4010 12	9	116
JL 4010 16	21	124

Parts Index



Part Number	Figure No.	Page No.	Part Number	Figure No.	Page No.
JL 1111 03	2	58	JL 1138 30	3	46
JL 1111 06	1	58	JL 1138 32	2	100
JL 1111 83	1	58	JL 1138 34	12	66
JL 1112 33	1	58	JL 1138 35	16	74
JL 1130 00	8	62	JL 1210 01	15	90
JL 1130 02	1	62	JL 1210 05	1	90
JL 1130 07	2	62	JL 1210 06	30	92
JL 1130 12	3	62	JL 1210 07	29	92
JL 1130 13	12	62	JL 1210 08	13	90
JL 1130 14	14	62	JL 1220 01	8	60
JL 1130 15	16	64	JL 1220 02	7	60
JL 1130 16	15	62	JL 1220 03	10	60
JL 1130 26	13	62	JL 1220 04	13	60
JL 1130 27	17	64	JL 1220 06	1	60
JL 1130 33	4	62	JL 1220 08	14	60
JL 1130 33	7	82	JL 1220 09	9	60
JL 1130 34	7	62	JL 1220 13	3	60
JL 1130 36	21C	64	JL 1220 26	17	60
JL 1130 38	19	64	JL 1310 00	7	72
JL 1130 43	25	64	JL 1310 01	13	72
JL 1130 57	7	62	JL 1310 04	3	70
JL 1130 60	16	64	JL 1310 04	1	72
JL 1132 01	9	68	JL 1310 05	5	72
JL 1132 07	7	68	JL 1310 06	1	70
JL 1132 09	15	68	JL 1312 03	13	78
JL 1132 10	3	68	JL 1312 09	4	70
JL 1132 12	8	68	JL 1312 11	15	78
JL 1134 00	1	56	JL 1312 16	5	78
JL 1134 01	2	56	JL 1312 18	16	78
JL 1138 00	9	124	JL 1312 19	5	70
JL 1138 03	13	124	JL 1312 20	6	80
JL 1138 09	12	58	JL 1312 25	7	78
JL 1138 10	24	124	JL 1312 26	11	78
JL 1138 11	22	124	JL 1312 32	6	78
JL 1138 12	23	124	JL 1318 02	12	74
JL 1138 27	19	4	JL 1318 03	3	80
JL 1138 29	23	130	JL 1318 04	1	76

Parts Index



Part Number	Figure No.	Page No.	Part Number	Figure No.	Page No.
JL 1318 05	5	76	JL 1610 13	11	86
JL 1318 06	2	76	JL 1610 15	11	86
JL 1318 07	4	76	JL 1612 00	2	112
JL 1318 11	12	66	JL 1612 01	1	112
JL 1318 34	1	80	JL 1612 06	1	112
JL 1318 41	22	80	JL 1612 07	2	112
JL 1318 77	25	80	JL 1710 18	20	98
JL 1318 78	23	80	JL 1710 19	19	98
JL 1319 18	8	74	JL 1710 20	12	58
JL 1319 19	12	74	JL 1710 20	23	98
JL 1319 26	1	84	JL 1710 22	2A	100
JL 1319 28	3A	82	JL 1710 24	5	100
JL 1319 31	2	80	JL 1710 24	17	104
JL 1319 32	5	76	JL 1710 24	21	104
JL 1510 02	2	90	JL 1710 35	12	96
JL 1510 03	3	90	JL 1710 36	11	96
JL 1510 04	13	90	JL 1710 37	8	96
JL 1510 12	12	90	JL 1710 38	28	98
JL 1510 21	1	86	JL 1710 40	20	104
JL 1510 23	18	88	JL 1710 44	1	96
JL 1510 24	1	90	JL 1710 45	2	136
JL 1510 26	2	86	JL 1710 46	3	136
JL 1510 28	5	86	JL 1710 48	6	100
JL 1510 30	6	86	JL 1710 49	4	96
JL 1510 32	18	92	JL 1710 57	1	100
JL 1510 34	7	86	JL 1710 60	14	96
JL 1510 35	9	86	JL 1710 61	16	100
JL 1510 36	26	92	JL 1710 62	15	100
JL 1510 37	22	92	JL 1710 63	9	96
JL 1510 38	2A	86	JL 1710 70	15	104
JL 1510 53	24	88	JL 1710 71	16	104
JL 1510 54	25	88	JL 1710 78	32	102
JL 1610 01	1	82	JL 1710 81	1	96
JL 1610 03	15	86	JL 1710 85	30	98
JL 1610 06	8	82	JL 1710 96	24	98
JL 1610 08	16	88	JL 1710 99	2	100
JL 1610 10	3	82	JL 1710 99	2A	100

Parts Index



Part Number	Figure No.	Page No.
JL 4010 17	8	120
JL 4014 00	20	88
JL 4014 01	21	88
JL 4014 02	10	68
JL 4014 03	19	88
JL 4014 05	21	88
JL 4014 06	5	82
JL 4014 09	20	88
JL 4014 11	13	86
JL 4016 00	8	128
JL 4016 02	8	128
JL 4018 01	13	128
JL 4018 03	12	128
JL 4018 04	25	130
JL 4020 01	1	52
JL 4020 07	1	52
JL 4022 01	5	128
JL 4022 02	6	128
JL 4022 03	1	128
JL 4022 08	17	128
JL 4022 20	1	128
JL 4022 35	1	128
JL 4022 45	1	128
JL 4024 00	1	110
JL 4024 03	8	110
JL 4024 05	1	110
JL 4024 09	1	110
JL 4024 12	1	110
JL 4026 00	6	96
JL 4026 02	6	96
JL 4030 00	2	128
JL 4036 00	14	68
JL 5010 03	1	22
JL 5010 40	1	22
JL 5010 63	1	22
JL 5110 01	2	2
JL 5110 02	1	2

Part Number	Figure No.	Page No.
JL 5110 09	3	6
JL 5110 10	2	8
JL 5110 11	3	8
JL 5110 16	3	42
JL 5110 22	6	6
JL 5110 29	11	6
JL 5110 53	4	6
JL 5110 56	20	4
JL 5110 58	1	4
JL 5110 58	10	4
JL 5110 61	3	4
JL 5112 05	6	8
JL 5112 19	7	6
JL 5112 20	6	10
JL 5112 21	5	10
JL 5112 22	8	10
JL 5112 31	6	10
JL 5210 02	4	12
JL 5310 03	16	10
JL 5312 05	7	22
JL 5312 05	1	28
JL 5412 03	7	38
JL 5412 07	12	36
JL 5412 08	5	38
JL 5412 10	13	36
JL 5412 18	19	36
JL 5412 22	18	36
JL 5412 23	10	38
JL 5412 27	8	36
JL 5412 30	20	36
JL 5412 31	21	36
JL 5412 37	26	24
JL 5412 43	1	38
JL 5412 44	1	38
JL 5412 45	2	38
JL 5412 46	13	36
JL 5514 07	17	40

Parts Index



Part Number	Figure No.	Page No.
JL 5612 05	8	20
JL 5612 06	7	20
JL 5614 01	1	20
JL 5614 04	2	20
JL 5614 05	4	20
JL 5614 07	7	20
JL 5614 08	8	20
JL 5614 09	14	20
JL 5614 10	15	20
JL 5710 01	26	24
JL 5810 00	1	44
JL 5810 09	5	44
JL 5810 15	11	44
JL 5810 16	10	44
JL 5810 23	2	44
JL 5810 25	4	44
JL 5810 27	4	42
JL 5810 50	1	44
JL 5810 65	13	4
JL 5810 66	9	4
JL 5812 01	1	42
JL 5812 02	24	42
JL 5812 03	25	42
JL 5812 04	18	42
JL 5812 05	19	42
JL 5812 06	20	42
JL 5812 15	1	42
JL 5813 00	2	42
JL 5824 00	11	4
JL 5824 02	6	4
JL 5910 48	2	48
JL 5910 52	1	48
JL 5910 75	9	48
JL 5910 86	16	48
JL 5911 44	4	48
JL 5911 48	17	48
JL 5911 56	7	48

Part Number	Figure No.	Page No.
JL 5911 57	18	48
JL 5911 65	8	48
JL 5911 96	1	48
JL 5912 26	2	48
JL 6010 00	6	32
JL 6010 05	12	28
JL 6010 10	29	24
JL 6012 00	15	32
JL 6012 09	9	32
JL 6012 09	21	34
JL 6012 10	1	32
JL 6012 12	11	32
JL 6012 13	24	34
JL 6012 14	25	34
JL 6012 15	19	34
JL 6012 16	30	34
JL 6012 17	33	34
JL 6012 18	32	34
JL 6012 19	10	32
JL 6012 19	10	32
JL 6012 20	9	32
JL 6012 20	9	32
JL 6012 21	11	32
JL 6012 25	12A	6
JL 6012 27	24	34
JL 6012 28	12	32
JL 6012 31	4	32
JL 6012 34	15	32
JL 6012 35	21	34
JL 6012 37	12	6
JL 7301 5P	2	136
JL 7302 5N	3	136
JL 7302 5P	3	136
JL 7401 5M	1	136
JL 7401 5N	1	136
JL 7401 5P	1	136
JL 7401 5Q	1	136

Parts Index



Part Number	Figure No.	Page No.	Part Number	Figure No.	Page No.
JL 7501 5L	4	146	JY 5710 30	14	26
JL 7501 X3	6	138	JY 6012 35	16A	34
JL 7501 X3	4	146	JZ 1130 61	21A	64
JL 7601 5P	5	138	JZ 1710 55	2	46
JL 7602 5M	4	136	JZ 4010 13	7	128
JL 7602 5P	4	136	KA AB08 20	16	84
JL 7801 5M	7	138	KA CA05 20	6	66
JL 7801 5P	7	138	KA CA06 10	12	134
JN 3516 04	16	128	KA CA06 16	6	66
JU 2312 05	14	134	KA CA06 35	11	134
JU 2312 07	13	134	KA CA08 20	6	62
JU 2328 00	3	124	KA CA08 30	8	66
JU 2328 00	2	126	KA CB05 14	6	110
JU 5312 13	1	28	KA CB05 16	3	96
JU 5312 15	1	28	KA CB06 22	7	134
JU 5410 05	13	22	KA Cb08 35	19	118
JU 5410 18	4	26	KA CH05 14	6	110
JU 5514 01	6	36	KA CH08 35	19	118
JU 5514 02	10	40	KA DA05 12	23	104
JU 5514 04	1	40	KA DA06 12	17	84
JU 5514 06	9	40	KA DA06 30	7	44
JU 5710 00	1	30	KA DA06 30	17	48
JW 1710 15	4	32	KA DA06 30	22	104
JW 1812 36	3	94	KA DA06 30	21	52
JY 1138 42	8	46	KA DA06 35	16	48
JY 1510 11	26	92	KA DB05 16	13	68
JY 1710 69	11	46	KA DC06 16	10	120
JY 1710 70	5	46	KA DD06 10	10	124
JY 1710 77	1	46	KA DD06 10	11	126
JY 1710 90	7	46	KA DD06 12	27	98
JY 1718 25	10	46	KA DD06 14	26	80
JY 1812 55	17	114	KA DD06 35	18	4
JY 1812 84	12	120	KA DD08 25	17	124
JY 1812 84	6	126	KA DD08 30	13	74
JY 5410 47	4	22	KA DE06 10	18	64
JY 5410 58	10	26	KA DE06 14	10A	116
JY 5514 02	11	50	KA DE06 20	11	54

Parts Index



Part Number	Figure No.	Page No.	Part Number	Figure No.	Page No.
KA DF06 10	4	52	KA EQ06 45	8	38
KA DF06 12	19	114	KB BA04 08	12	72
KA DF06 14	8	66	KB BA05 12	24	80
KA DF06 14	7	108	KB BA05 14	4	126
KA DF06 16	5	58	KB BB05 12	10	66
KA DF06 16	27	80	KB BG06 12	19	26
KA DF06 22	11	54	KB RD42 13	5	108
KA DF06 30	16	4	KB UA05 14	8	124
KA DF06 80	20	114	KB UA05 16	19	66
KA DF08 20	7	66	KB UA05 16	12	116
KA DM05 08	4	4	KB UA06 12	4	94
KA DM06 10	6	44	KB UA06 12	27	102
KA DP05 16	27	24	KB UA06 12	2	108
KA DQ06 20	11	10	KB UA06 16	14	116
KA DQ06 20	14	28	KB UA06 20	18	114
KA DQ06 25	14	48	KB UB04 10	8	114
KA DQ06 25	1A	50	KB UB05 12	2	94
KA DQ06 30	14	36	KB UB05 16	8	100
KA DQ06 30	6	38	KB UC06 25	13	120
KA DQ06 45	8	38	KB UC06 25	7	126
KA DT06 12	21	80	KB UF04 08	8	114
KA EA06 08	5	62	KC AA05 04	3	110
KA EA06 08	6	82	KC GA05 05	7	96
KA EA06 12	4	46	KC GA05 05	5	126
KA EA06 22	10	84	KC GA10 10	3	122
KA ED06 08	7	84	KC GD06 06	15	124
KA ED06 12	6	84	KC GD10 10	3	122
KA EF06 10	18	64	KC GF06 06	17	4
KA EG06 20	18	120	KD AA04 08	8	104
KA EM06 22	3	44	KD AA04 08	15	110
KA EQ06 16	27	24	KD AA05 10	9	66
KA EQ06 20	10	6	KD AA05 10	10	110
KA EQ06 20	11	10	KD AA06 11	25	118
KA EQ06 20	14	28	KD AA10 18	16	134
KA EQ06 30	14	36	KD BA05 12	10	104
KA EQ06 30	6	38	KD BA05 12	14	104
KA EQ06 40	20	26	KD BA05 12	7	116

Parts Index



Part Number	Figure No.	Page No.	Part Number	Figure No.	Page No.
KD BA05 12	6	120	LA D000 40	9	58
KD BA06 13	11	120	LA D000 63	27	24
KD BA08 18	3	86	LA D000 77	2	4
KD BB05 12	24	106	LA D000 77	5	22
KD BE06 13	10	134	LA D000 81	21	26
KD DB04 08	11	72	LA D000 82	14	32
KD DB06 12	28	34	LA D001 20	19	120
KE AA11 10	4	30	LA D001 29	5	2
KE AB10 10	4	30	LA D001 35	6	68
KE BA37 15	9	26	LA DA06 10	26	88
KP AC60 05	8	78	LA E000 10	7	52
KP BC62 02	3	72	LA E000 14	2	26
KP BC62 02	3	78	LA E000 16	8	8
KP BC63 02	4	78	LA E000 17	28	16
LA A000 10	14	110	LA E000 18	6	30
LA A000 19	10	78	LA E000 21	5	84
LA C000 08	14	114	LA E000 41	14	32
LA C000 16	11	62	LA E000 42	16	50
LA C000 17	5	134	LA J000 18	4	56
LA C000 19	2	60	LB B000 06	12	22
LA C000 20	4	86	LB B000 07	21	24
LA C000 22	10	100	LB B000 07	3	26
LA C000 22	28	106	LB B000 07	19	26
LA C000 24	6	18	LB R000 02	9	104
LA C000 34	26	106	LB R000 02	8	116
LA C000 35	5	134	LB R000 02	7	120
LA C000 36	11	114	LB S000 01	4	116
LA C000 37	9	114	LB S000 02	4	116
LA C000 45	11	62	LB U000 09	8	100
LA C000 48	11	134	LB U000 09	12	116
LA C000 49	12	134	LB U000 09	1	124
LA C000 54	14	114	LB U000 23	21	66
LA C000 63	25	106	LB U000 23	10	108
LA C000 86	10	28	LB U000 30	2	120
LA D000 37	13	74	LC A000 08	4	124
LA D000 40	26	34	LC A000 09	12	78
LA D000 40	12	134	LC D000 01	11	14

Parts Index



Part Number	Figure No.	Page No.	Part Number	Figure No.	Page No.
LC G000 06	19	48	YJ L020 05	9	116
LC G000 08	9	126	YJ L020 06	20	118
LC J000 02	15	72	YJ L060 03	23	120
LC J000 02	19	78	YJ L060 04	8A	120
LC L000 04	12	78			
LD A000 07	24	102			
LD A000 07	7	116			
LD A000 08	2	6			
LD A000 13	10	62			
LD B000 07	7	110			
LD B000 10	4	14			
LD B000 10	8	50			
LD B000 18	15	80			
LD B000 20	3	36			
LD B000 23	8	44			
LD B000 23	15	66			
LD B000 23	27	106			
LD B000 23	8	108			
LD B000 29	14	72			
LD B000 29	18	78			
LD B000 51	9	28			
LD C000 01	17	134			
LD H000 02	13	14			
LD H000 02	5	50			
LE B000 01	4	10			
LE B000 01	28	24			
LJ A000 04	14A	26			
LJ A000 05	13	32			
NA	20	152			
NA	21	152			
PA 1812 92	23	118			
PA 1812 93	24	118			
PA 4022 04	19	124			
PA 4022 04	20	130			
PA 5810 38	5	4			
PD 1510 06	11	58			
PD 1716 16	15	46			