

SPARE PARTS CATALOGUE

KTM DUKE 250

KTM DUKE 390



Duke 390 MY - 17



Duke 250 MY - 17

All information contained in this manual is based on the latest product information at the time of publication. Bajaj Auto Limited accepts no liability for any inaccuracies or omissions in this publication, although every possible care has been taken to make it as complete and accurate as possible. All procedures and specifications subject to change without prior notice. The right is reserved to make such changes at any time without prior notice and without incurring an obligation to make such changes to product manufactured previously. Contact authorized KTM Dealer for the latest information on product improvements incorporated after this manual was issued.

DOC. NO.: 71112653

REV. 00 MAR 17

Dear KTM dealers,

We are pleased to present the Spare Parts Catalogue for 'Duke 250 & Duke 390 Model. This catalogue has been specially designed to assist you in selecting the correct parts for procurement to maintain 100% availability.

The KTM spares are subjected to the stringent quality control standards to ensure longer life of the vehicle. It is therefore necessary that only the Genuine KTM Spares are used.

In a continual effort to improve Performance and Efficiency of the vehicles, Specifications, Diagrams, Illustrations and Part Numbers can change without notice. Consequently, the description in this Spare Parts Catalogue cannot therefore be final and binding on us.

The modifications / alterations which are carried out after the issue of this catalogue, will be conveyed to you through our Service Circulars. You are requested to make necessary corrections in the Parts Catalogue as per the circulars so as to keep your catalogue up-to-date. This will ensure the appropriate and speedy delivery of the Spare Parts as the order placed will bear the latest part numbers.

In case, if you need any technical assistance contact the concerned Regional Office or write to us on the following address :

**Service Department - KTM
Bajaj Auto Limited
Akurdi, Pune 411 035 India**



INDEX

DUKE 250/390

1. How to Read the Catalogue : Open the catalogue and from the pictorial index locate the group in which the part you want to find is present. Turn over to the concerned page number (as given by pictorial index). Now find out the figure of the part you wish to order. Write down the part number against that particular figure number from the text.

In case, if you have the part number and you need the other details, the part index can be used. The part index (at the end of the catalogue) will give you the figure and page number of the part you wish to order.

2. How to Order Spare Parts : The part number and the description of the part required should be invariably mentioned in the order as per the catalogue text.

The latest part number as conveyed through our service circulars should only appear on the order. In case of ordering painted components, colour shade of the components should be mentioned.

The quantity shown against the part number is the quantity per vehicle for that group so that particular quantity should be multiplied by the number of sets required.

3. Part Number System: We have used 8 digit system for part numbers. The model or hardware item is indicated by first two digits or alphanumeric, the next two or four digits indicate main group and the last four or two digits indicate serial number in main group or serial number or subgroup of fastener respectively. Thus the part numbers will be indicated by 2-2-4 or 2-4-2 digit system. Understanding this system will enable you to identify the spare parts easily.

4. Abbreviations : The following abbreviations are used in this catalogue.

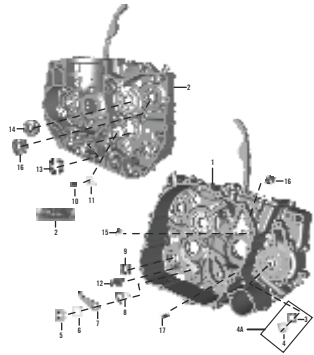
assly.	Assembly	V	Volts
N.I.	Not illustrated	W	Watts
C'case	Crankcase	accl.	Accelerator
Cyl	Cylinder	Comp.	Complete
o/s.	Over size	Fr	Front
Std.	Standard	L	Length
A/t.	Alternate	Rr	Rear
R.H.	Right hand	Hex.	Hexagonal
L.H.	Left hand	AR	As required
NS	Non Serviceable	NA	Not Applicable

No.	Description	Page No.	No.	Description	Page No.
1	Crankcase RH	1	26	Shock Absorber	30
2	Crankcase LH	2	27	Swing Arm	31
3	Clutch Cover	3	28	Exhaust System	32
4	Balancer Shaft	4	29	Air Filter	33
5	Cylinder Piston	5	30	Tank, Cover	34-35
6	Crankshaft	6	31	EVAP Parts	36
7	Clutch	7	32	Seats	37
8	Transmission Main Shaft - Input Shaft	8	33	Fuel Pump	38
9	Transmission Counter Shaft - Output Shaft	9	34	Fenders & Side Fairing	39
10	Shifting Mechanism - Drum Gear Shift	10	35	Belly Pan	40
11	Shifting Mechanism - Lever Gear Shift	11	36	Decal	41
12	Radiator Assembly	12	37	Front Wheel	42
13	Cooling System	13	38	Rear Wheel	43
14	Valve Drive	14	39	Wiring Harness	44
15	Valve Shims	15	40	Brake System - Front	45
16	Timing Drive	16	41	Brake System - Rear	46
17	Cylinder Head	17	42	Brake System - ABS Fr. & Rr.	47
18	Lubrication System	18	43	Head Light Assembly 250	48
19	Ignition System	19-20	44	Head Light Assembly 390	49
20	Electric Starter	21	45	Instruments Lock System	50
21	Throttle Body	22	46	Saree Guard/Rear Number Plate	51-52
22	Front Fork Triple Clamp	23-24	47	Tool Kit	53
23	Handle Bar Controls	25-26		KTM Consumables	54
24	Frame	27-28		KTM Accessories	55
25	Side Stand	29		KIT List	56
				Part Index	57



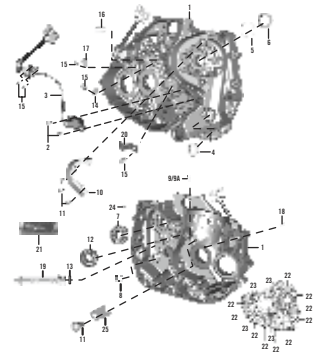
CRANKCASE RH - DUKE 250/390

1



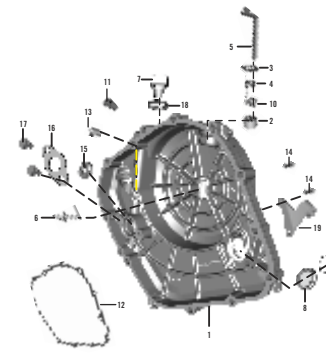
CRANKCASE LH - DUKE 250/390

2



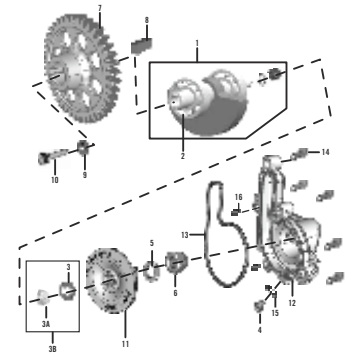
CLUTCH COVER

3



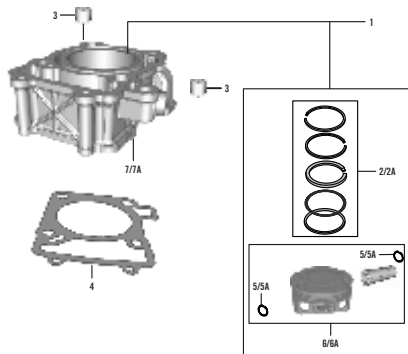
BALANCER SHAFT

4



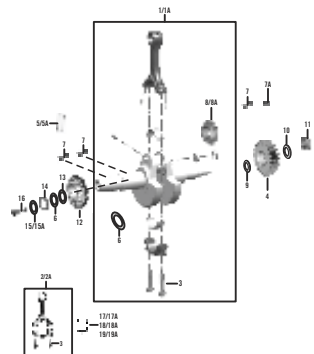
CYLINDER PISTON

5



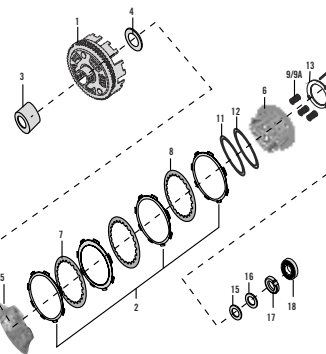
CRANKSHAFT

6



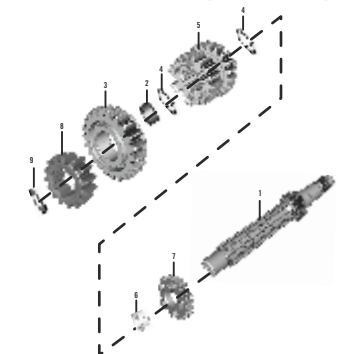
CLUTCH

7



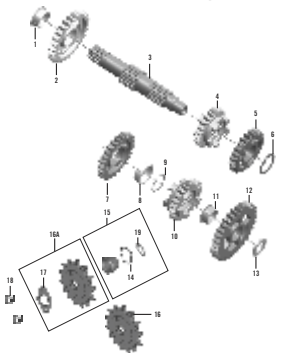
TRANSMISSION I - MAIN SHAFT (INPUT SHAFT)

8



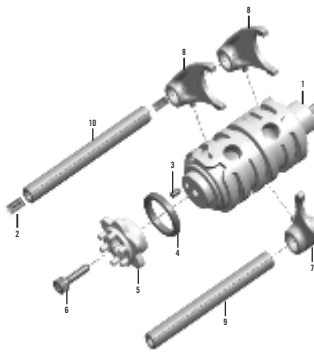
TRANSMISSION II - COUNTER SHAFT (OUTPUT SHAFT)

9



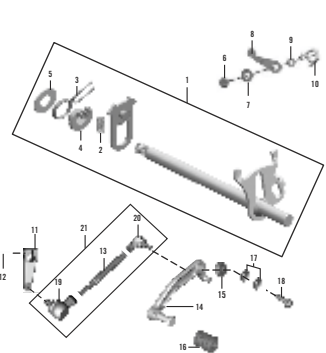
SHIFTING MECHANISM - DRUM GEAR SHIFT

10



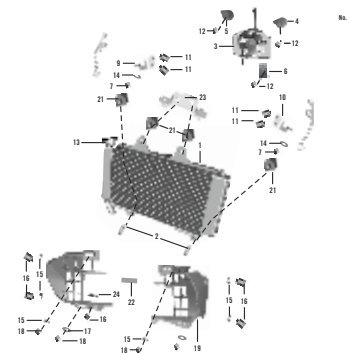
SHIFTING MECHANISM - LEVER GEAR SHIFT

11



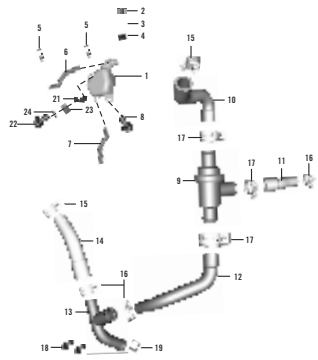
RADIATOR ASSEMBLY

12



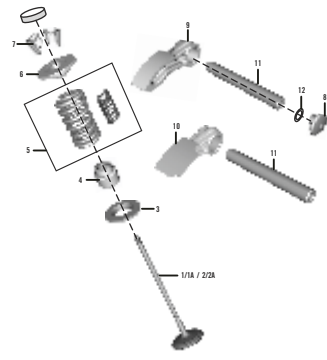
COOLING SYSTEM

13



VALVE DRIVE

14



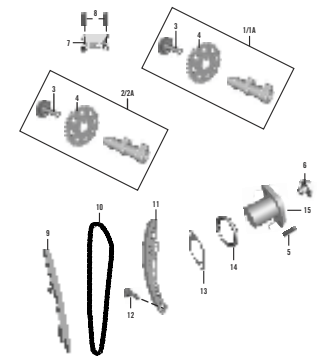
VALVE SHIMS

15



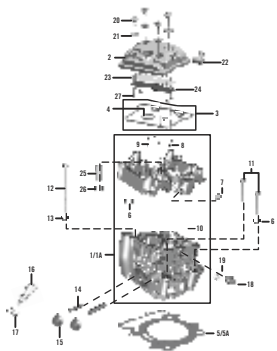
TIMING DRIVE

16



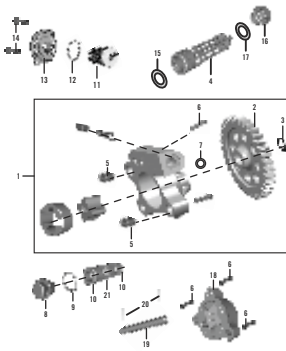
CYLINDER HEAD

17



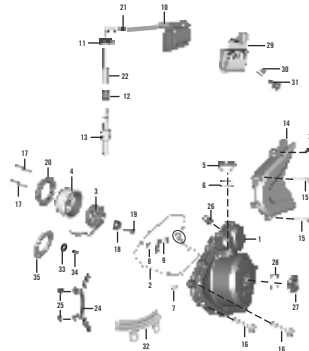
LUBRICATING SYSTEM

18/19



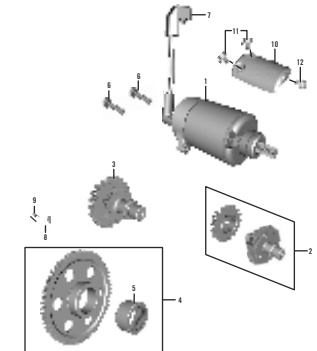
IGNITION SYSTEM

20



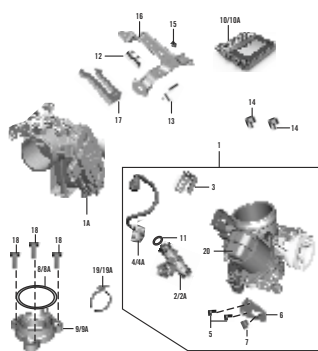
ELECTRICAL STARTER

21



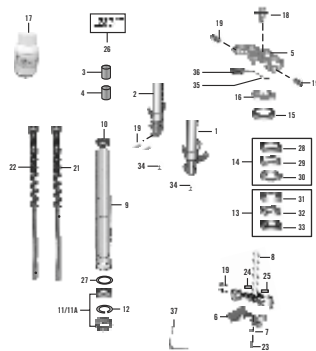
THROTTLE BODY

22



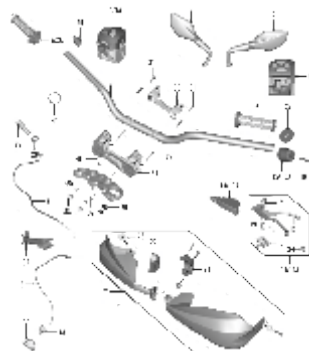
FRONT FORK, TRIPLE CLAMP

23/24



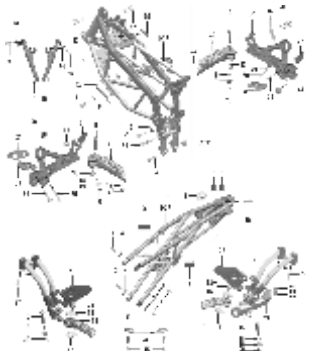
HANDLEBAR, CONTROLS

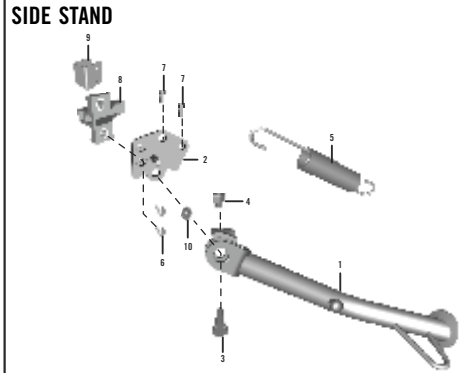
25/26



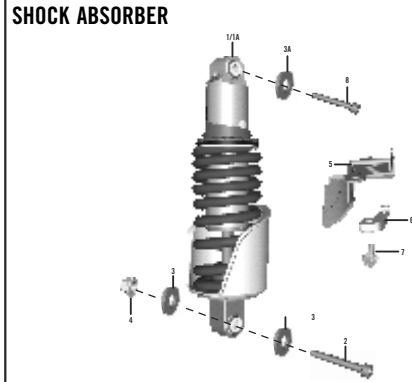
FRAME

27/28

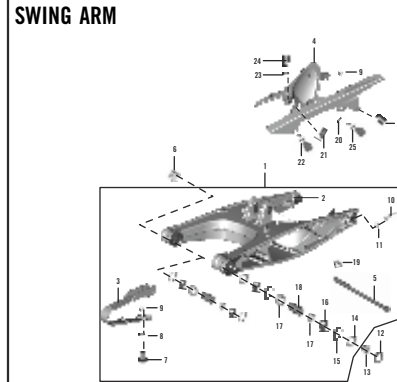




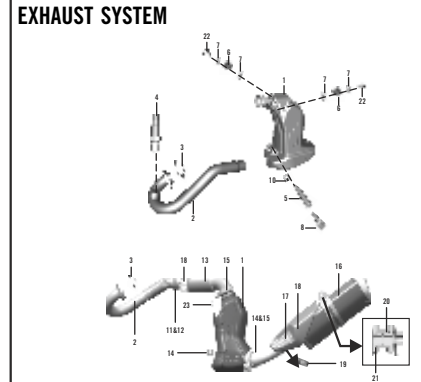
29



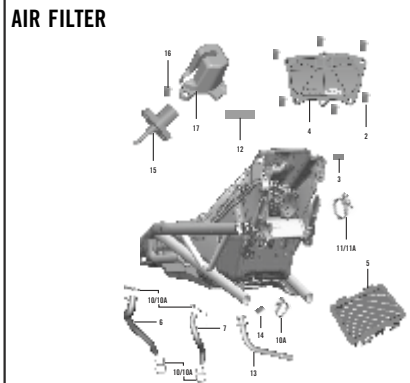
30



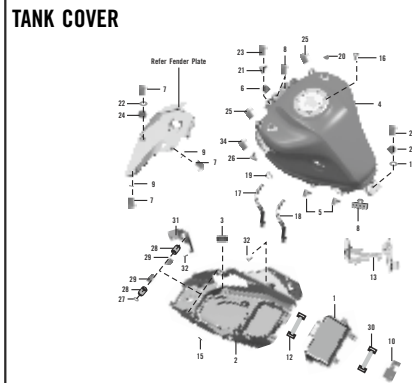
31



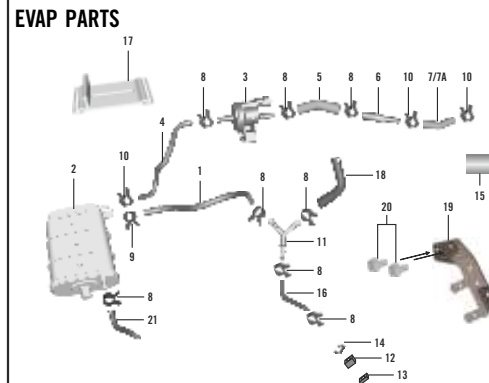
32



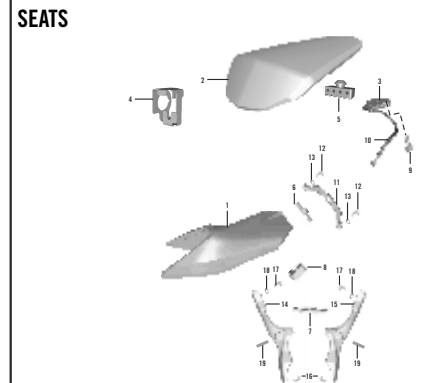
33



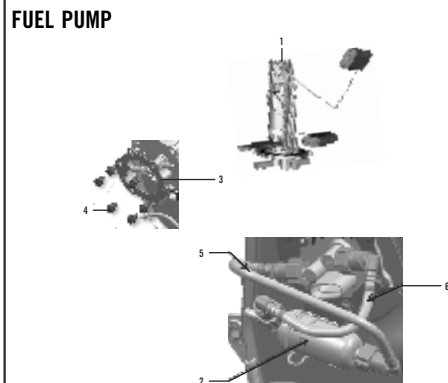
34/35



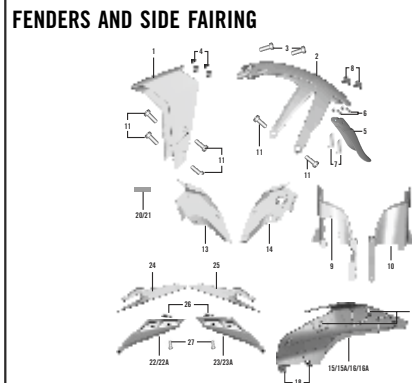
36



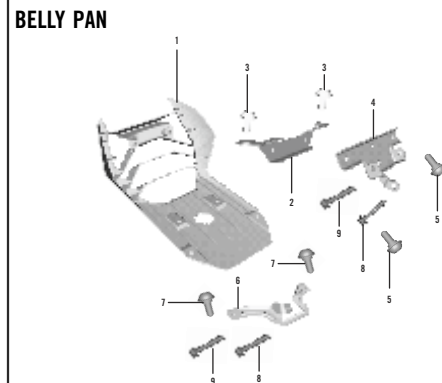
37



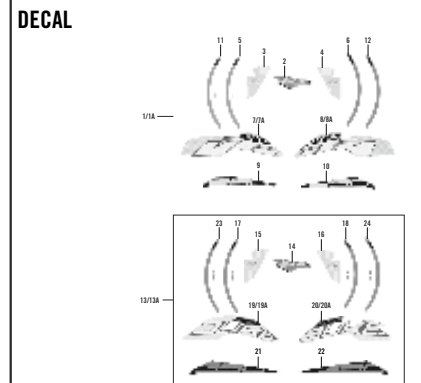
38



39

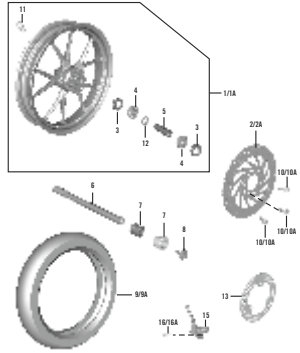


40

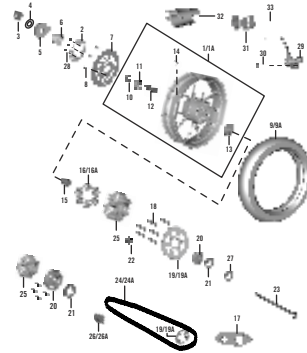


41

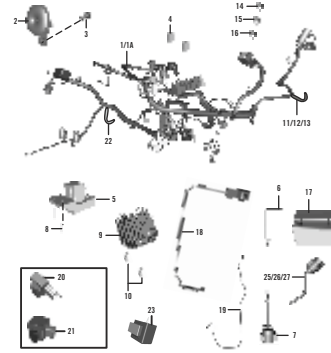
FRONT WHEEL 42



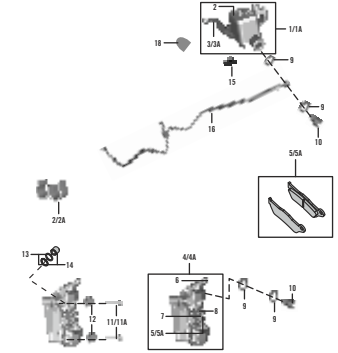
REAR WHEEL 43



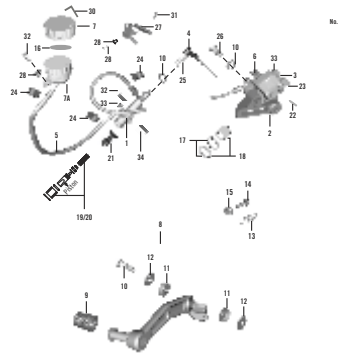
WIRING HARNESS 44



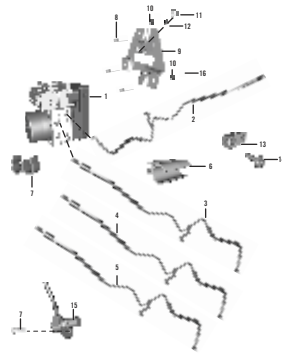
BRAKE SYSTEM - FRONT 45



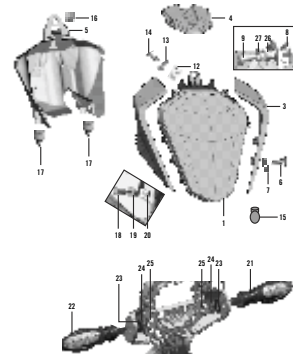
BRAKE SYSTEM - REAR 46



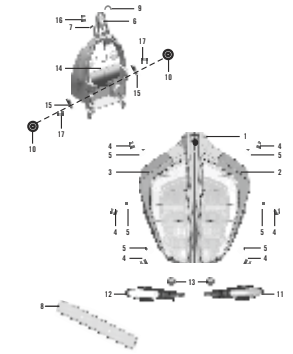
BRAKE SYSTEM - ABS - FRONT & REAR 47



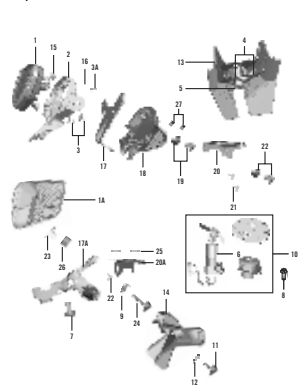
HEAD LIGHT ASSEMBLY - DUKE 250 48



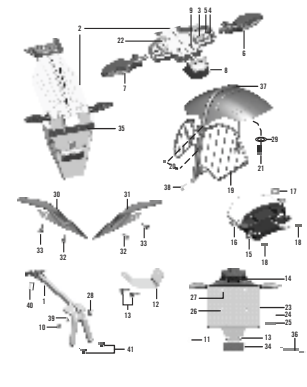
HEAD LIGHT ASSEMBLY - DUKE 390 49



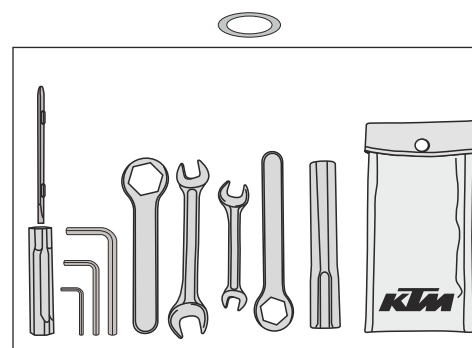
INSTRUMENTS , LOCK SYSTEM 50



SAREE GUARD / REAR NUMBER PLATE 51/52

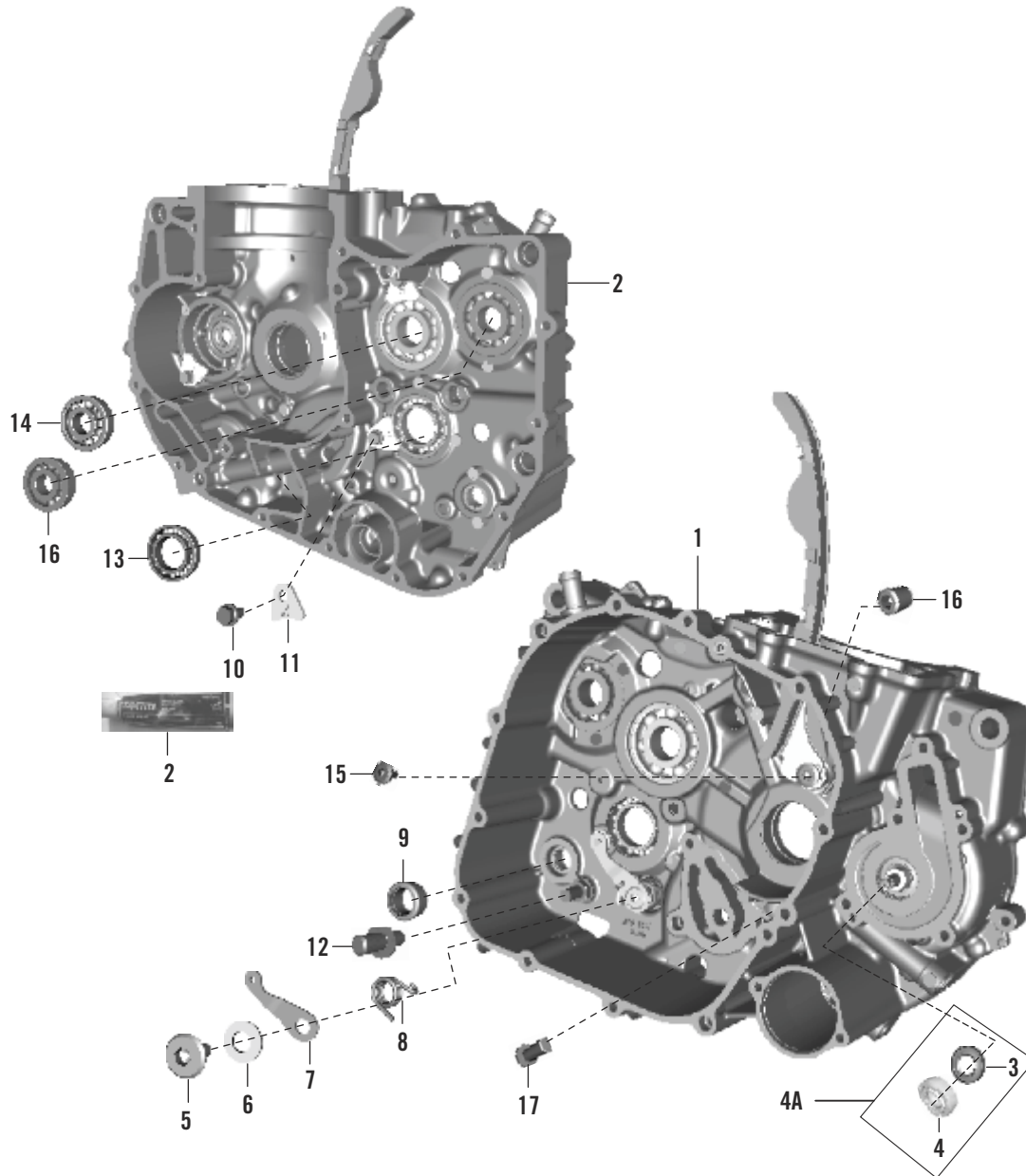


TOOL KIT 53



CRANKCASE RH

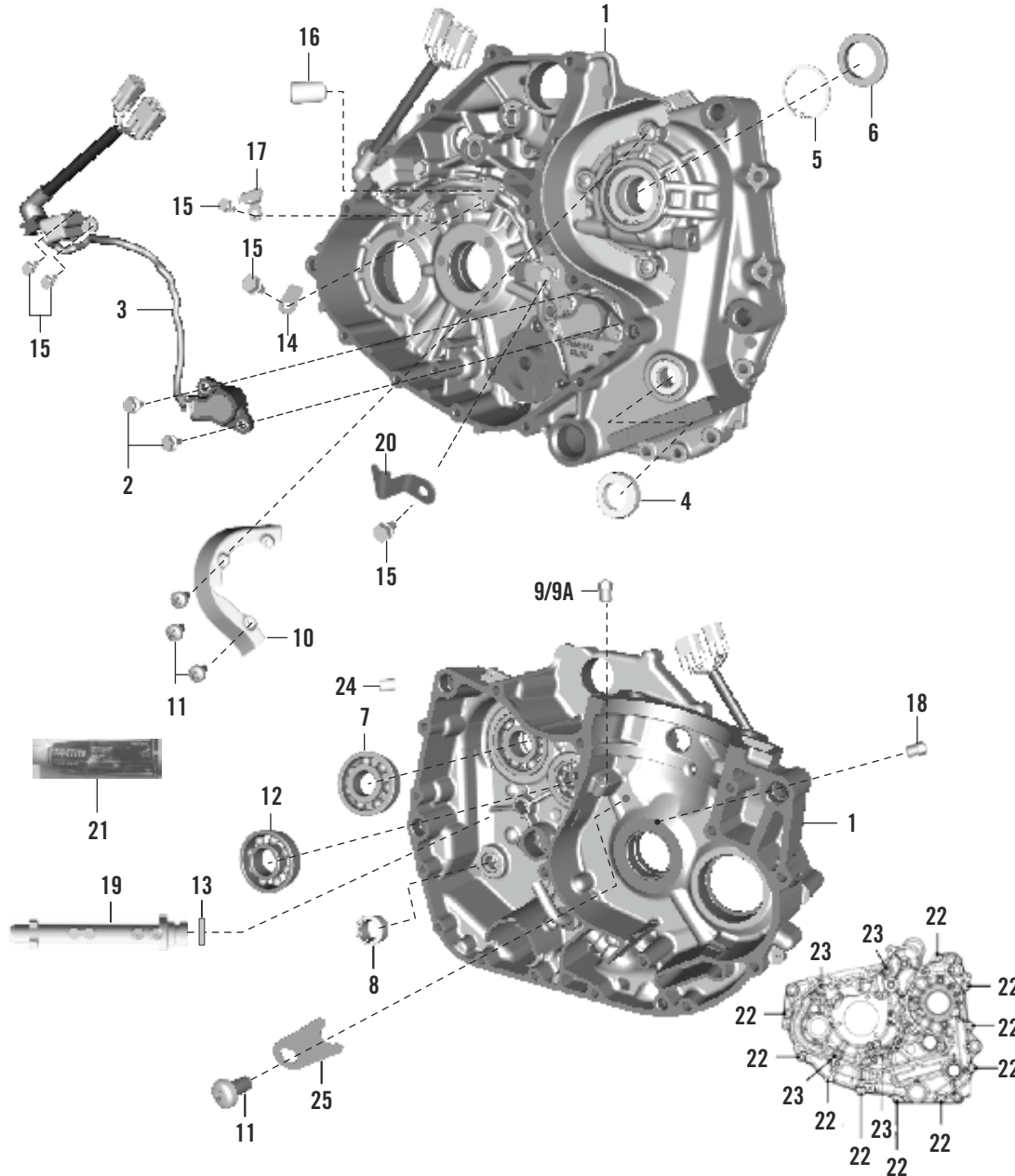
DUKE 250/390



No.	Part No.	Description	Qty		
			250 MY17	390 MY17	
1	36JY0198	Crankcase Assly RH	1	1	
2	36001062	Liquid Sealant	1	1	
3	JG601007	Oil Seal	1	1	
4	JL601010	Water Seal Double LIP	1	1	
4A	36JG0091	Seal Water Pump with Grease	1	1	
5	JG561204	Bolt Drum Stopper	1	1	
6	JG561205	Washer	1	1	
7	JG561009	Stopper Drum Complete	1	1	
8	JG561226	Spring	1	1	
9	39256220	Needle Bearing 13x19x12	1	1	
10	DJ101300	Bolt Flanged Small	3	3	
11	JY541047	Bearing Stopper	3	3	
12	DP101191	Bolt Shifter	1	1	
13	39260120	Ball Bearing 25x42x9	1	1	
14	39186420	Ball Bearing 20x52x15	1	1	
15	JY541009	Bolt Special Chain Guide	1	1	
16	39218520	Deep Groove Ball Bearing	1	1	
17	LAE00001	Flange Bolt M8x1.25x20L	1	1	
18	36JY0200	Kit Engine Crankcase Repair	1	1	N.I.
19	83020473	Petamo Grease for Pump Seals	1	1	N.I.

CRANKCASE LH

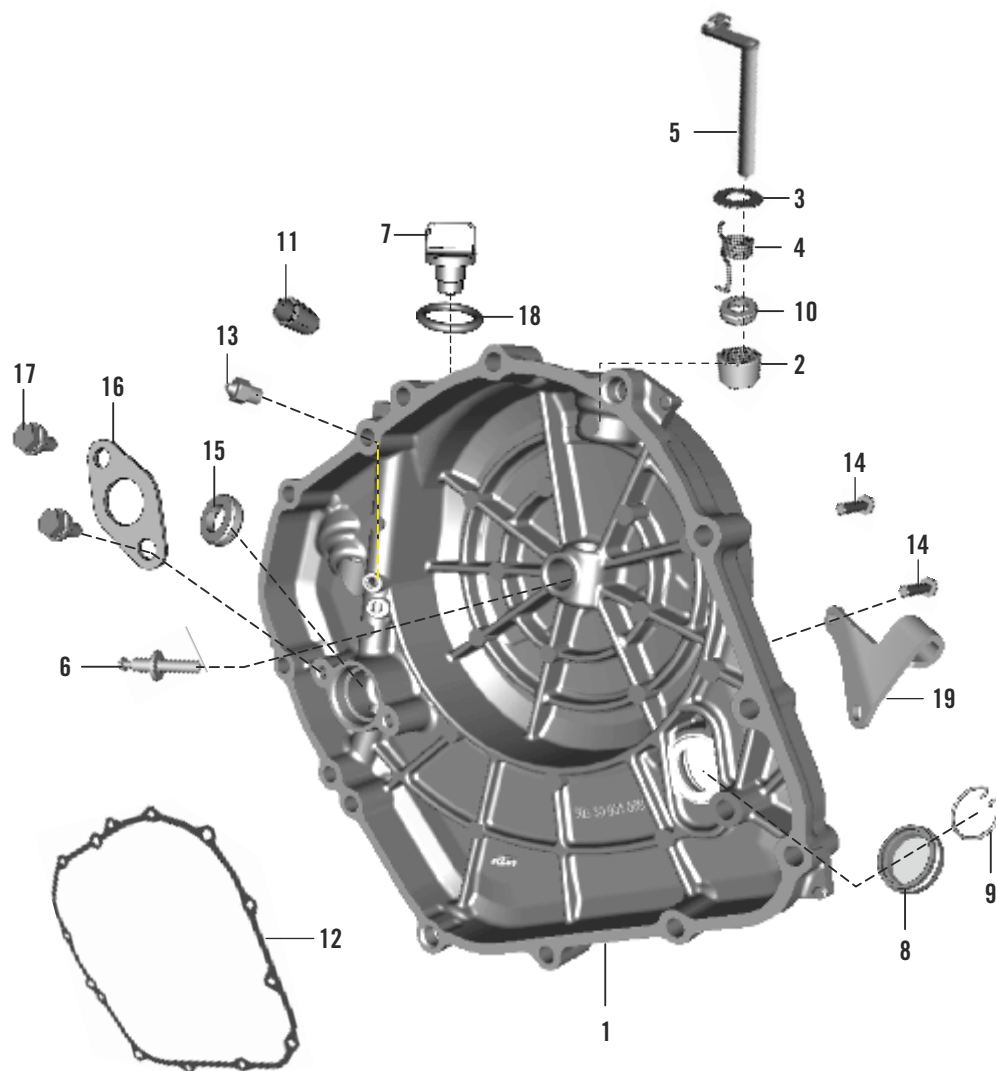
DUKE 250/390



No.	Part No.	Description	Qty		
			250 MY17	390 MY17	
1	36JY0197	Crankcase Assly LH	1	1	
2	LAE00010	Bolt Flanged M5x13L	2	2	
3	JY351801	Gear Indicator Sensor	1	1	
4	39104319	Seal Oil	1	1	
5	KEBA3715	Circlip Internal	1	1	
6	JY541058	Oil Seal Output Shaft	1	1	
7	LPB00003	Bearing Ball 22x56x16	1	1	
8	39256220	Needle Bearing	1	1	
9	JY541050	Jet Oil	1	1	
9A	JF541016	Nozzle	1	1	
10	JY541031	Chain Guard	1	1	
11	LBB00007	Flat Head Screw M6X12 PH	3	3	
12	LPB00002	Ball Bearing 15x35x11	1	1	
13	LJA00002	O Ring	2	2	
14	JY541080	Plate Harness	1	1	
15	LAE00010	Bolt Flange M5x13L	2	2	
15A	DJ101300	Bolt Flange	3	3	
16	JY541052	Oil Jet	1	1	
17	JY541081	Bracket Harness	1	1	
18	JG541074	Oil Nozzle	1	1	
19	JY571029	Oil Rail	1	1	
20	JY541082	Bracket Harness for GI Switch	1	1	
21	36001062	Liquid Sealant	1	1	
22	KAEQ0635	Bolt Flange M6x1x35	11	11	
23	LAE00002	Bolt Flange M6x1x75	5	5	
24	39218106	Dowel D4	2	2	
25	JF541017	Bracket	1	1	
26	83020473	Petamo Grease for Pump Seals	1	1	N.I.

CLUTCH COVER

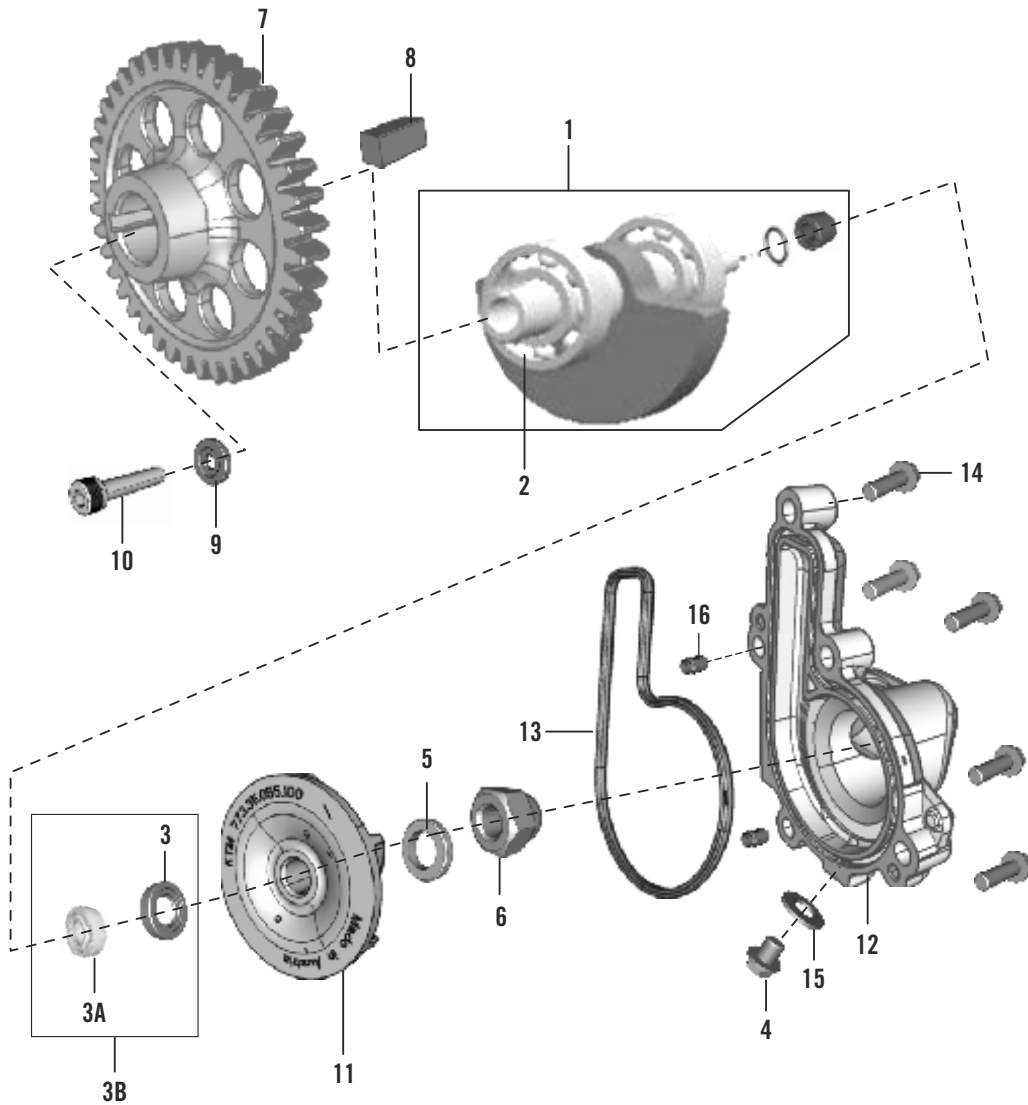
DUKE 250/390



No.	Part No.	Description	Qty	
			250 MY17	390 MY17
1	JY541254	Clutch Cover Assly.	1	1
2	39199020	Bearing - Needle	1	1
3	LDB00020	Washer 12.5X24X0.8T	1	1
4	JY541221	Spring	1	1
5	JY541251	Shaft Clutch Release Assly	1	1
6	JY551404	Rod Pull	1	1
7	JG541230	Cap Oil Filling	1	1
8	JL541227	Gauge	1	1
9	DH102117	Clip - Wire	1	1
10	39104119	Oil Seal	1	1
11	39099906	Pin - Hollow Dowel	2	2
12	JY541225	Gasket Clutch Cover	1	1
13	JG541021	Oil Nozzle	4	4
14	KAEQ0635	Bolt Flanged M6x1x1.35xDacro	12	12
15	39201619	Oil Seal	1	1
16	JY541220	Cover Plate Position	1	1
17	DJ101300	Bolt M6	2	2
18	39153721	O ring	1	1
19	JY541253	Bracket Clutch Cable	1	1

BALANCER SHAFT

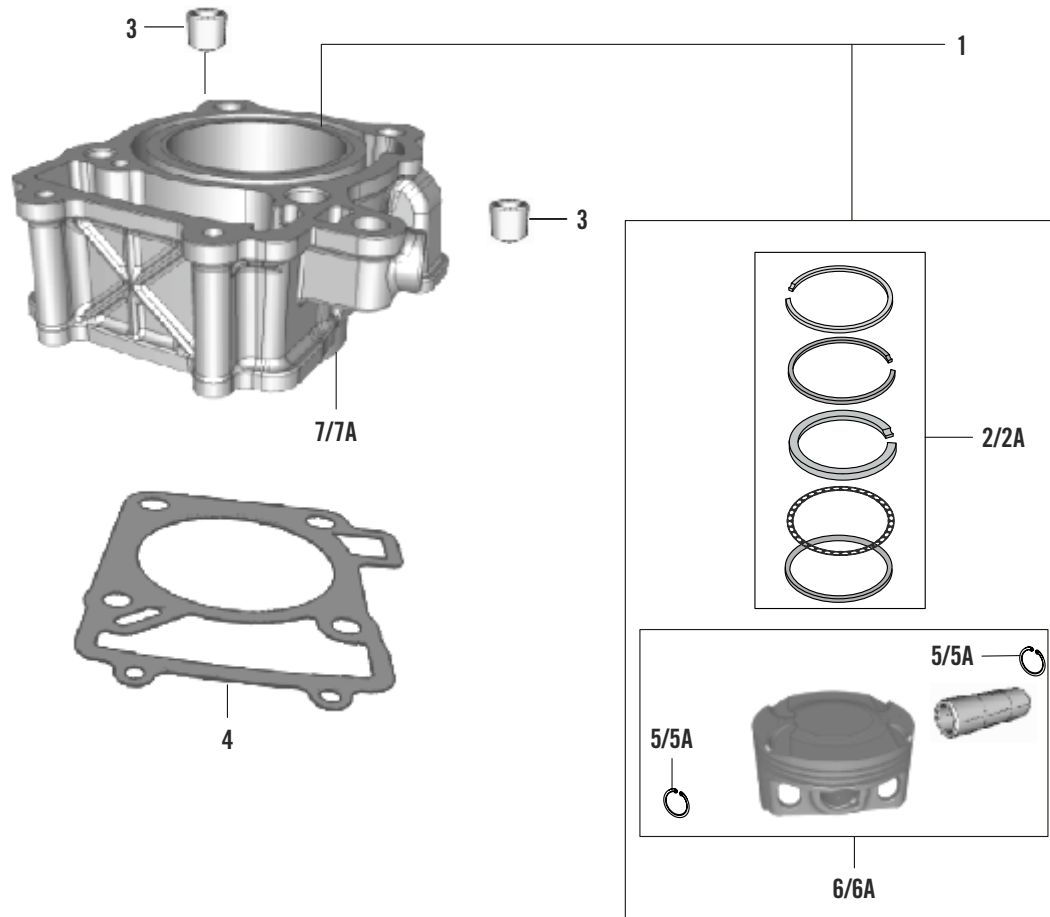
DUKE 250/390



No.	Part No.	Description	Qty	
			250 MY17	390 MY17
1	36JY0192	Balancer Assy Kit	1	1
2	KPBF6304	Balancer Bearing	2	2
3	JG601007	Oil Seal	1	1
3A	JL601010	Oil Seal	1	1
3B	36JG0091	Seal Water Pump with Grease	1	1
4	LAE00048	Bolt Flange M6xL10 PC	1	1
5	JG531215	Washer (2 MM)	1	1
6	JG601005	Dome Nut	1	1
7	JG531207	Gear Balancer Driven	1	1
8	DS101154	Key	1	1
9	LDB00051	Washer - Special - Camshaft	1	1
10	LAC00086	Pre-coat SoCHD Cap Bolt M8X40	1	1
11	JG601013	Water Pump Rotor	1	1
12	JG601011	Cover Water Pump	1	1
13	JG601012	O-Ring (Water Pump Cover)	1	1
14	KADQ0620	Bolt Flange Small- M6X1XL20X Bright	5	5
15	39166511	Copper Gasket	1	1
16	39260607	Pin - Parallel	2	2

CYLINDER PISTON

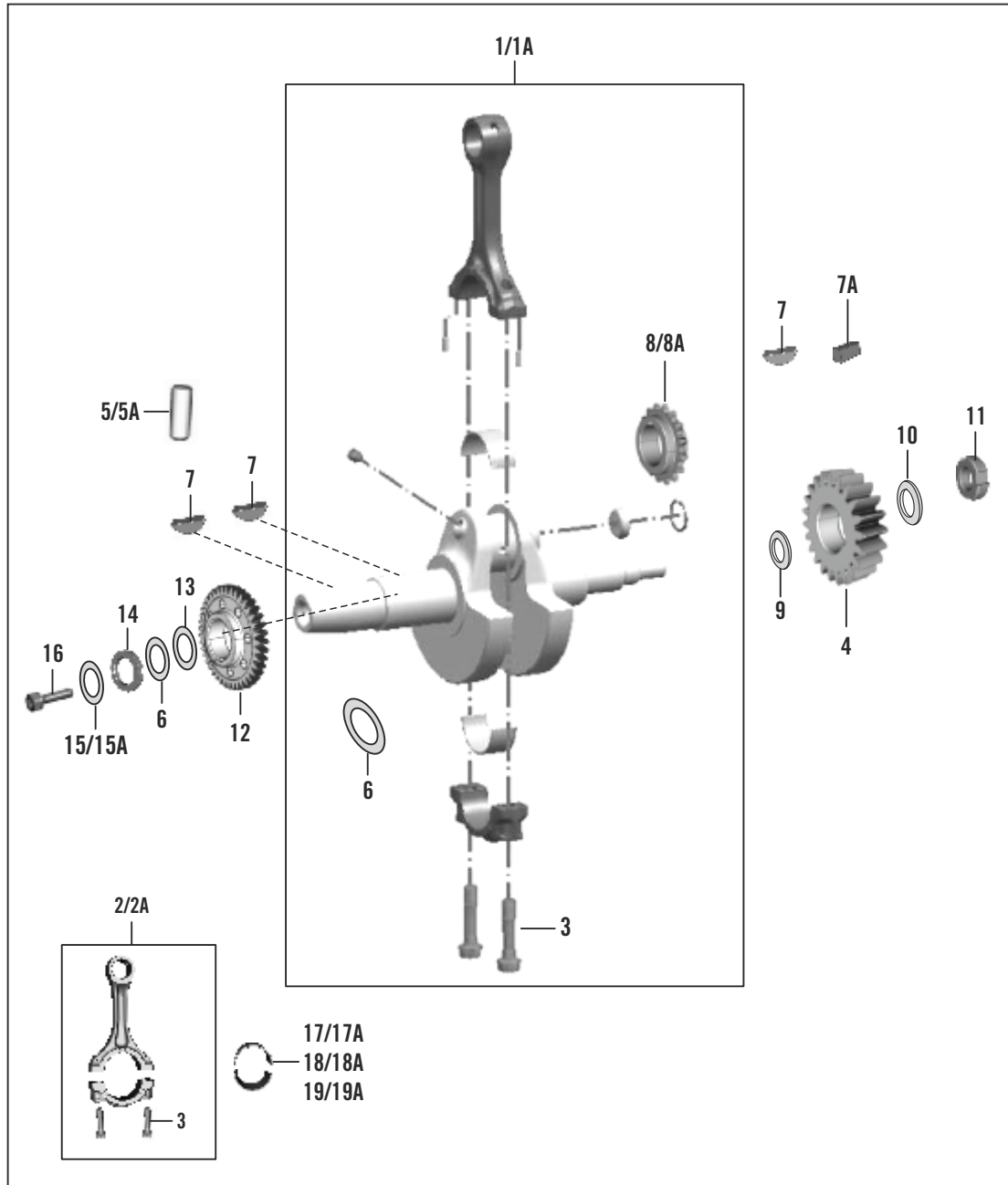
DUKE 250/390



No.	Part No.	Description	Qty	
			250 MY17	390 MY17
1	36JY0007	Kit Cylinder Block Piston Asly.	--	1
2	36JY0153	Kit Piston Ring	1	--
2A	36JY0003	Kit Piston Ring	--	1
3	39218106	Pin - Hollow Dowel : 14x20	2	2
4	JY521006	Gasket Cylinder Block	1	1
5	JY521236	Ring - Snap	2	--
5A	JY521220	Ring - Snap	--	2
6	JY521226	Kit Piston	1	--
6A	JY521214	Kit Piston	--	1
7	JY521012	Cylinder Block	1	--
7A	JY521003	Cylinder Block	--	1

CRANKSHAFT

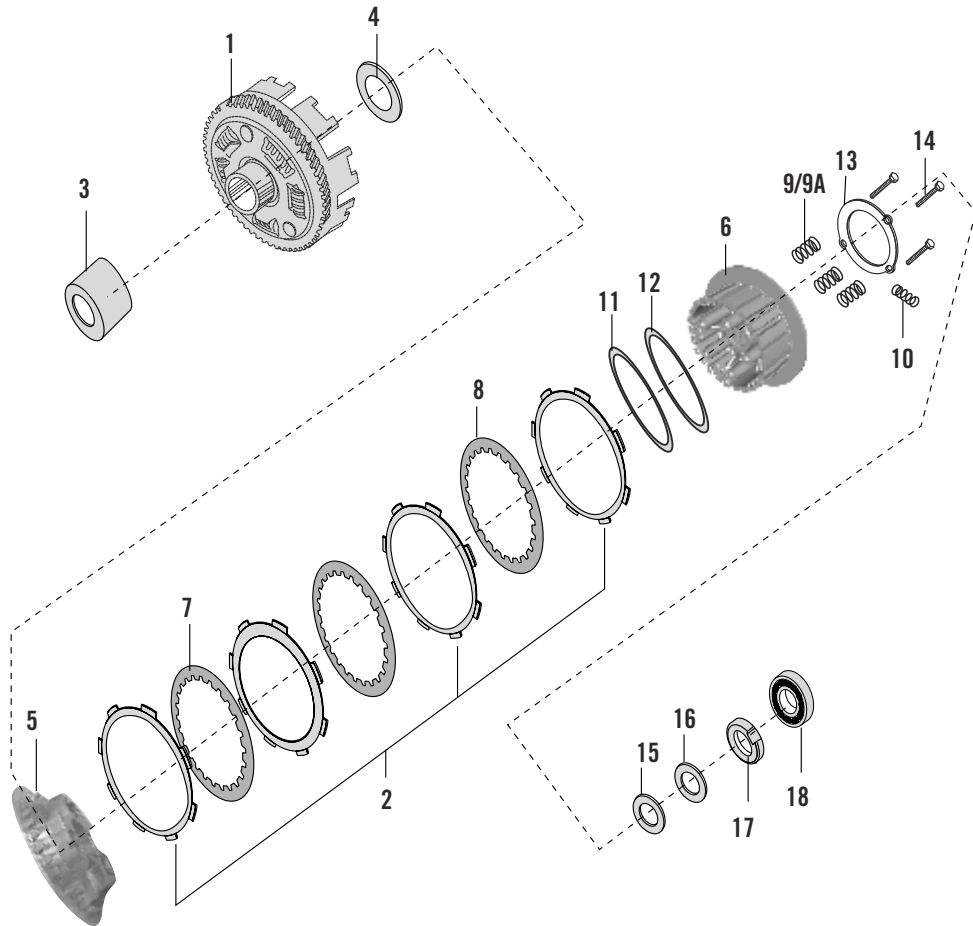
DUKE 250/390



No.	Part No.	Description	Qty	
			250 MY17	390 MY17
1	JY531030	Crankshaft Assembly Comp	1	--
1A	JF531020	Crankshaft Assembly Comp	--	1
2	JY531033	Connecting Rod Assly.	1	--
2A	JY531036	Connecting Rod Assly.	--	1
3	JY531005	Bolt	2	2
4	JY551212	Primary Gear 29 T	1	1
5	39220307	Pin - Parallel	2	2
5A	39260607	Pin - Parallel	1	1
6	LDB00033	Washer Plain	1	1
7	31101173	Key-Woodruff	2	2
7A	LFB00001	Key Sunk	--	1
8	JY531026	Sprocket Crankshaft 18-T	1	1
9	DG101275	Washer Crankshaft	1	1
10	JY531008	Washer-Plain	1	1
11	LCG00002	Nut Sprocket Drive Lock	1	1
12	JY551220	Balancer Drive Gear	1	1
13	LDH00002	Belleville Washer	1	1
14	JG531040	Nut Balancer Drive Lock	1	1
15	LDB00041	Washer - Plain	1	1
16	LAD00124	Flanged Bolt M10X1, 25X50	1	1
17	36JP0019	Split Bearing Bush Green	2	--
17A	36JY0004	Split Bearing Bush Green	--	2
18	36JP0021	Split Bearing Bush Blue	2	--
18A	36JY0005	Split Bearing Bush Blue	--	2
19	36JP0020	Split Bearing Bush None	2	--
19A	36JY0006	Split Bearing Bush None	--	2

CLUTCH

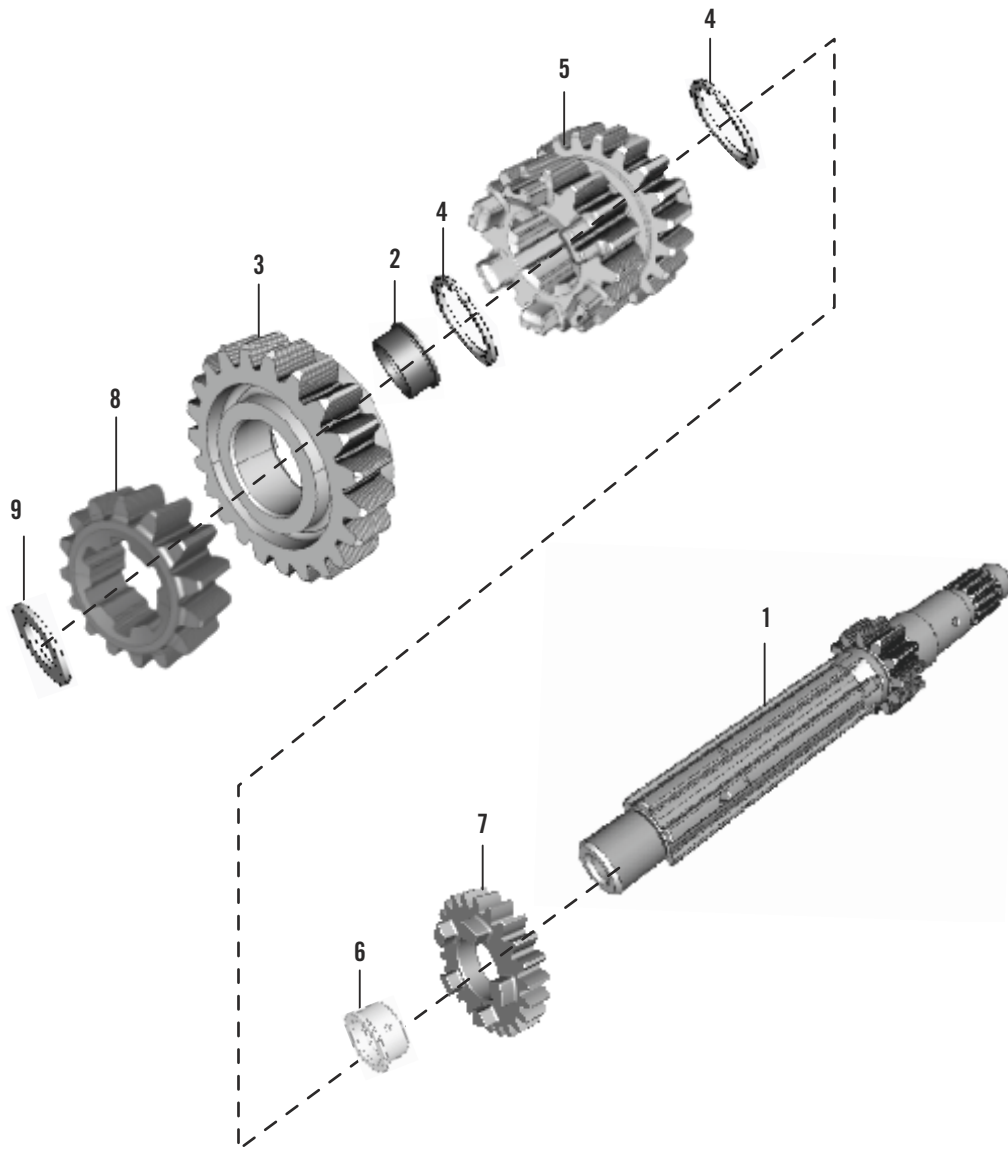
DUKE 250/390



No.	Part No.	Description	Qty	
			250 MY17	390 MY17
1	JY551430	Clutch Outer Comp.	1	1
2	36JY0103	Kit Friction Plate	1	1
3	JY551401	Bush Collared	1	1
4	JY551403	Clutch Washer	1	1
5	JY551438	Plate Clutch Pressure	1	1
6	JY551435	Clutch Center	1	1
7	JY551436	Plate A Clutch	5	5
8	JY551437	Plate B Clutch	1	1
9	JY551447	Spring Clutch	3	--
9A	JY551439	Spring Clutch	--	3
10	JY551440	Seat Spring	3	3
11	JY551441	Spring Judder	1	1
12	JY551442	Spring Seat Judder	1	1
13	JY551443	Plate Stopper	1	1
14	KADD0635	Bolt Flanged	3	3
15	JY551019	Washer Plain	1	1
16	DG101275	Washer (Special)	1	1
17	LCG00009	Nut Hex Flanged - M16x1.5LH	1	1
18	LPA00004	Bearing Ball-ID15xOD28xTHK7	1	1

TRANSMISSION I - MAIN SHAFT (INPUT SHAFT)

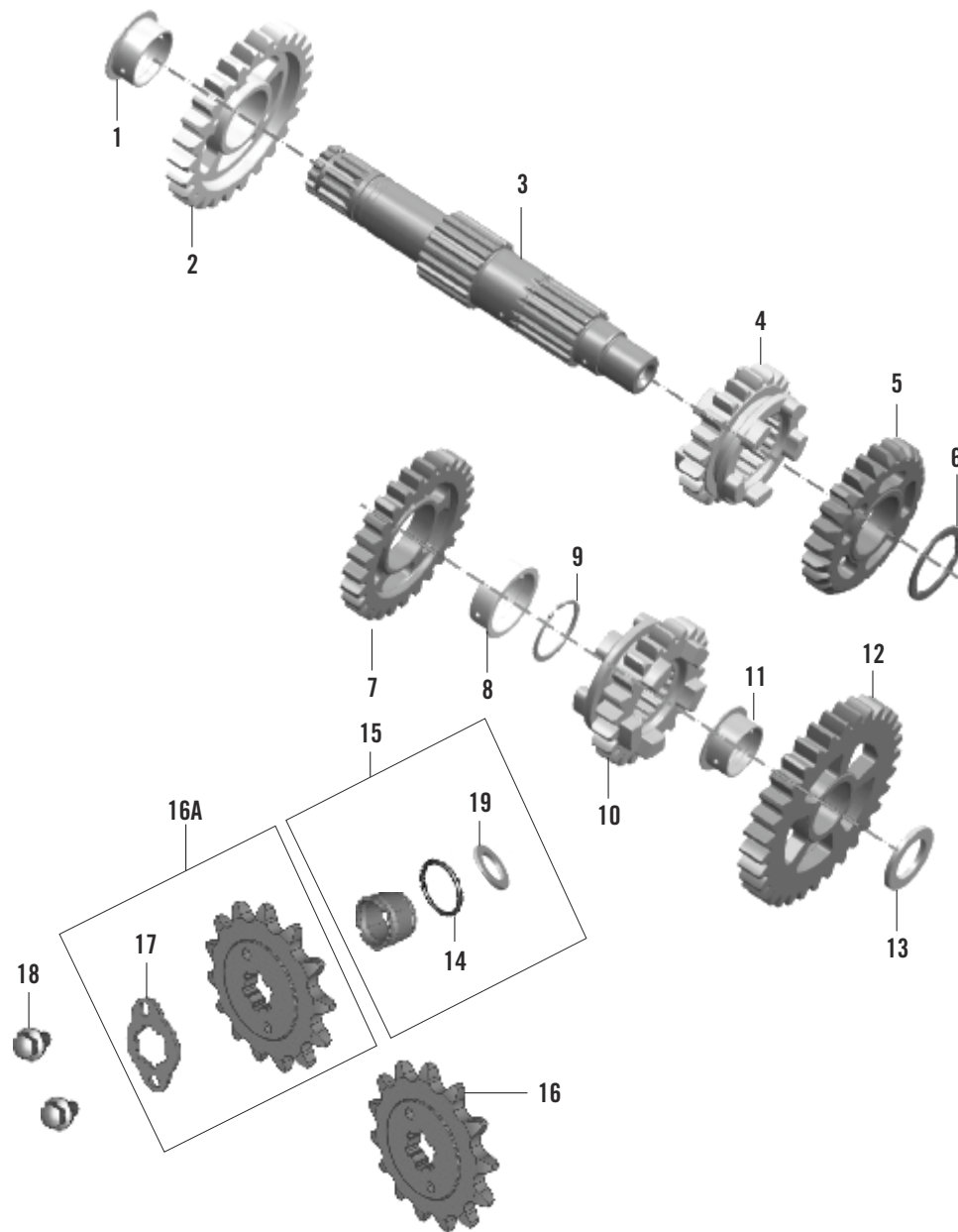
DUKE 250/390



No.	Part No.	Description	Qty	
			250 MY17	390 MY17
1	JY551022	Shaft Input T/M Comp	1	1
2	JY551021	Bush 6th Drive	1	1
3	JY551231	Gear 6th Drive	1	1
4	JY551214	Circlip	2	2
5	JY551229	Gear Drive Multiple 3&4	1	1
6	JY551010	Bush	1	1
7	JY551230	Gear 5th Drive	1	1
8	JY551228	Gear 2nd Drive	1	1
9	JY551215	Washer - Thrust	1	1

TRANSMISSION II - COUNTER SHAFT (OUTPUT SHAFT)

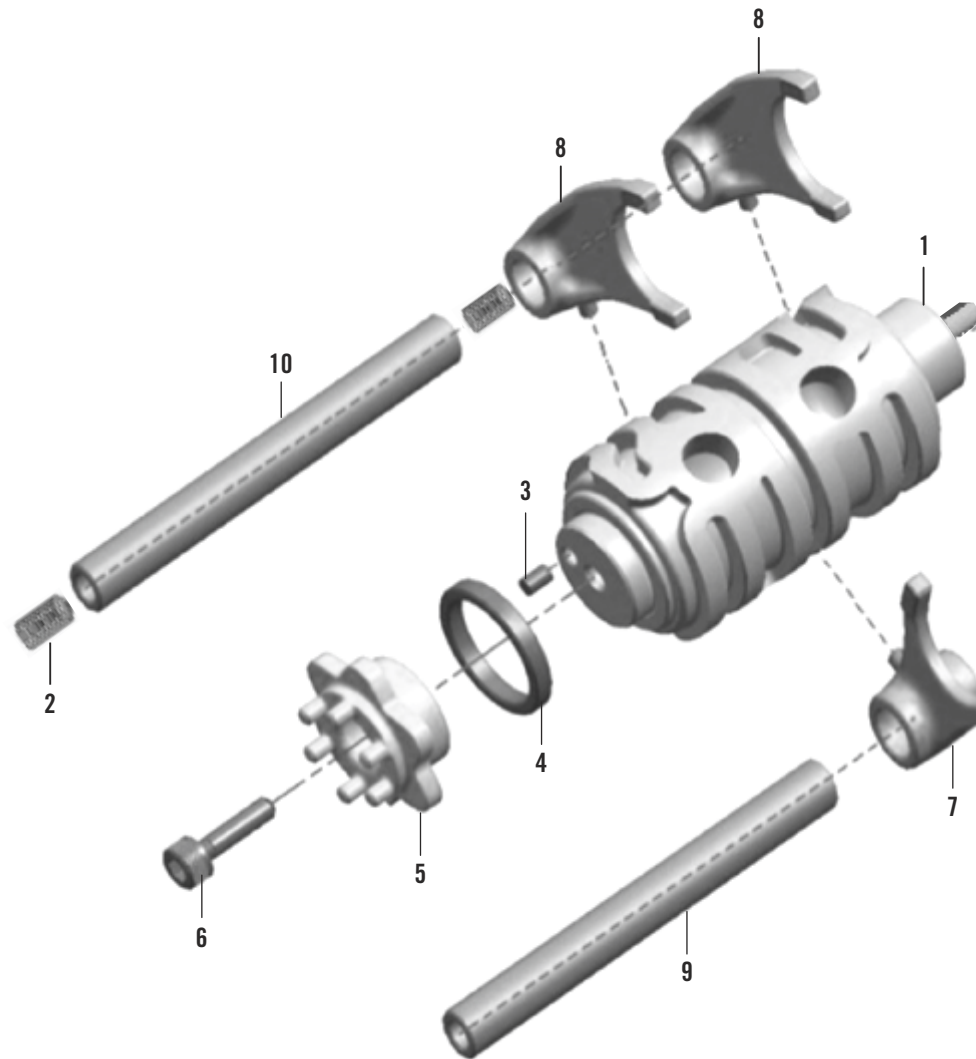
DUKE 250/390



No.	Part No.	Description	Qty	
			250 MY17	390 MY17
1	JY551006	Bush 2nd Driven	1	1
2	JY551233	Gear 2nd Driven	1	1
3	JY551008	Output Shaft Assy With Plug	1	1
4	JY551237	Gear 6th Driven	1	1
5	JY551235	Gear 4th Driven	1	1
6	JY551005	Washer Thrust 3rd Driven	1	1
7	JY551234	Gear 3rd Driven	1	1
8	JY551027	Bush 3rd Driven	1	1
9	JY551218	Circlip Output Shaft	1	1
10	JY551236	Gear 5th Driven	1	1
11	JY551205	Bush 1st Driven	1	1
12	JY551232	Gear 1st Driven	1	1
13	JY551217	Washer Thrust 1st Driven	1	1
14	JY551018	O-Ring Sprocket Collar (17.5x1.5)	1	1
15	36JY0102	Kit output shaft Oil Seal	1	1
16	JY551240	Sprocket Drive	1	--
16A	JY551029	Sprocket Drive	--	1
17	JY551030	Plate Drive Sprocket	1	1
18	LAE00017	Bolt Flanged M6X1X10L-Precoated	2	2
19	JY541058	Oil Seal Output Shaft	1	1

SHIFTING MECHANISM - DRUM GEAR SHIFT

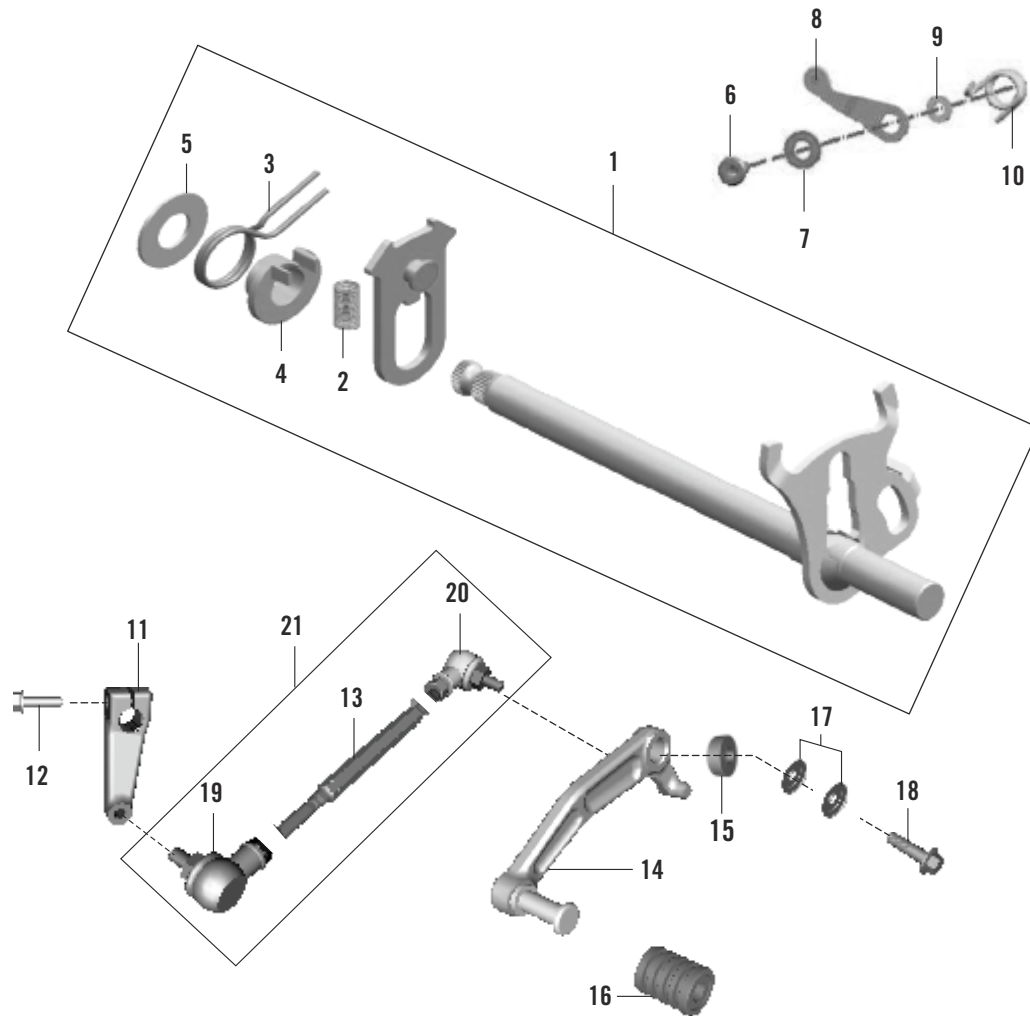
DUKE 250/390



No.	Part No.	Description	Qty	
			250 MY17	390 MY17
1	JY561013	Drum Complete Gear Shift	1	1
2	JY541039	Spring for Shaft Gear Shift	2	2
3	39260607	Pin - Parallel	1	1
4	JG561010	Spacer-Guide Gear Shift	1	1
5	JG561222	Guide Gear Shift	1	1
6	LAC00024	Bolt Socket Head M6X1X20L	1	1
7	JY561002	Fork Gear Shift Input	1	1
8	JY561008	Fork Gear Shift Output	2	2
9	JY561004	Shaft Gear Shift Fork	1	1
10	JF561001	Shaft Gear Shift Fork Output	1	1

SHIFTING MECHANISM - LEVER GEAR SHIFT

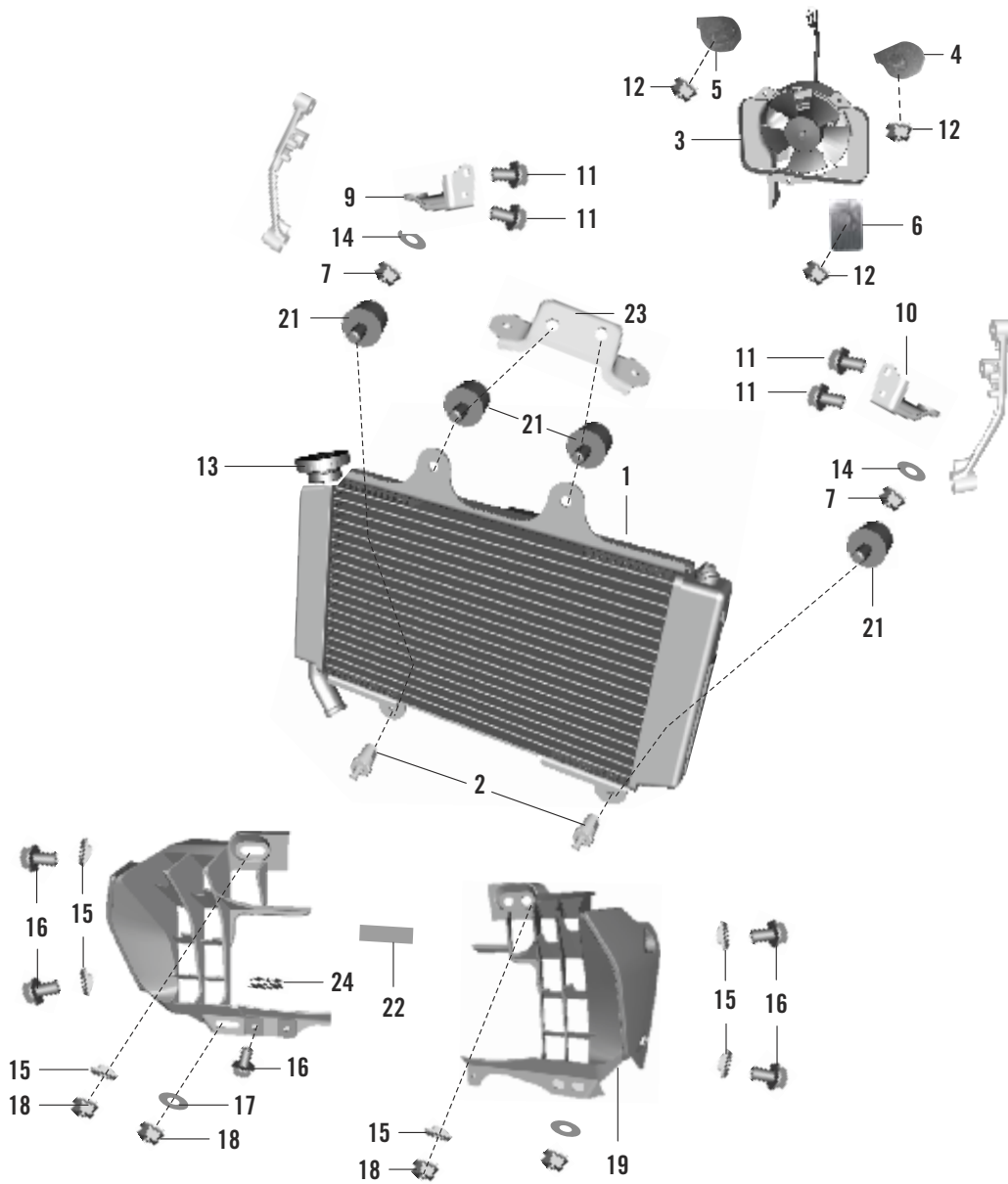
DUKE 250/390



No.	Part No.	Description	Qty	
			250 MY17	390 MY17
1	JY561205	Lever Gear Shift Assy Comp.	1	1
2	JG561215	Compression Spring	1	1
3	JG561218	Torsion Spring	1	1
4	JG561217	Bush-Torsion Spring	1	1
5	JG561216	Washer Steel, Mx30x1.5	1	1
6	JG561204	Bolt Drum Stopper	1	1
7	JG561205	Washer	1	1
8	JG561009	Stopper Drum Complete	1	1
9	39200511	Washer Drum Stopper	1	1
10	JG561226	Spring Stopper Drum	1	1
11	JP561400	Lever Change Arm	1	1
12	KADM0622	HH Collar Screw M6X22 (1 Kg.m)	1	1
13	JP561401	Tie Rod	1	1
14	JP561402	Change Lever Assly	1	1
15	JG113061	Bearing Change Lever	2	2
16	JG113010	Rubber	1	1
17	JY113015	Washer	2	2
18	JY113025	Bolt Change Lever	1	1
19	36JY0201	Tie Rod End LH	1	1
20	36JY0202	Tie Rod End RH	1	1
21	JP561403	Tie Rod Assly	1	1

RADIATOR ASSEMBLY

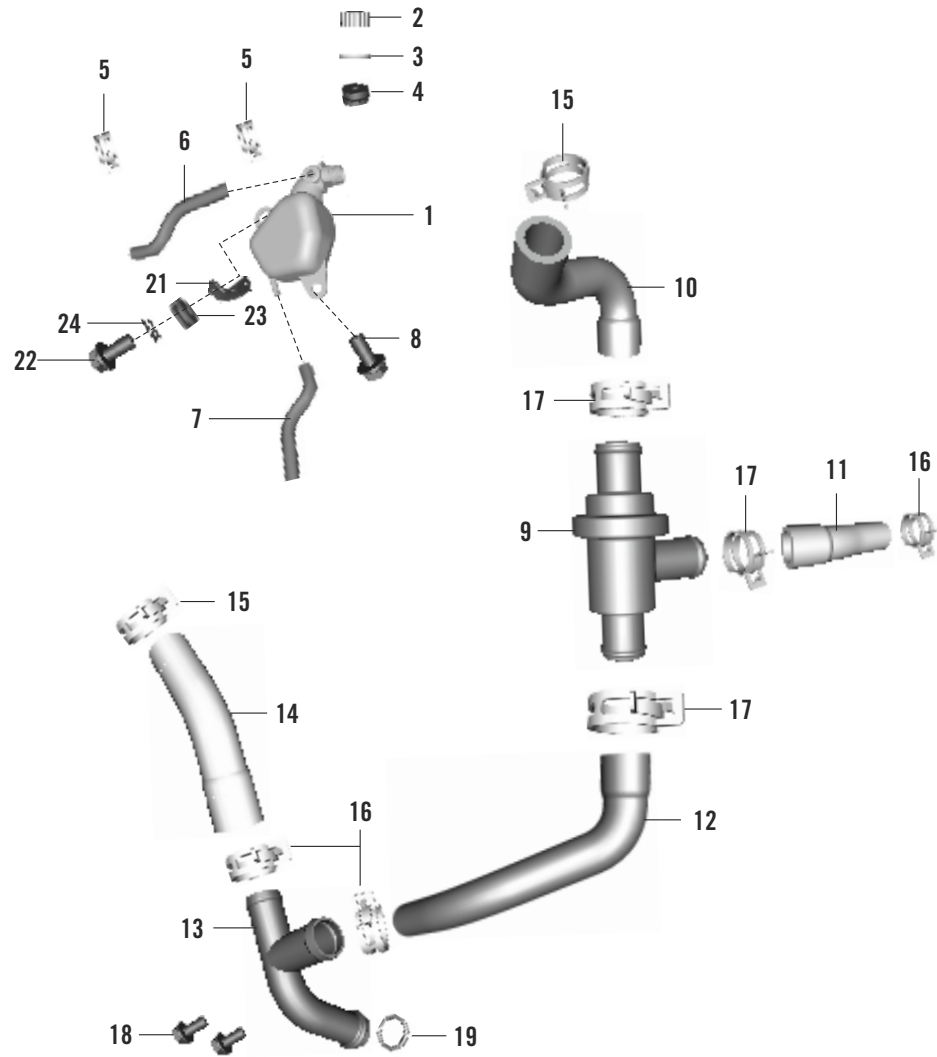
DUKE 250/390



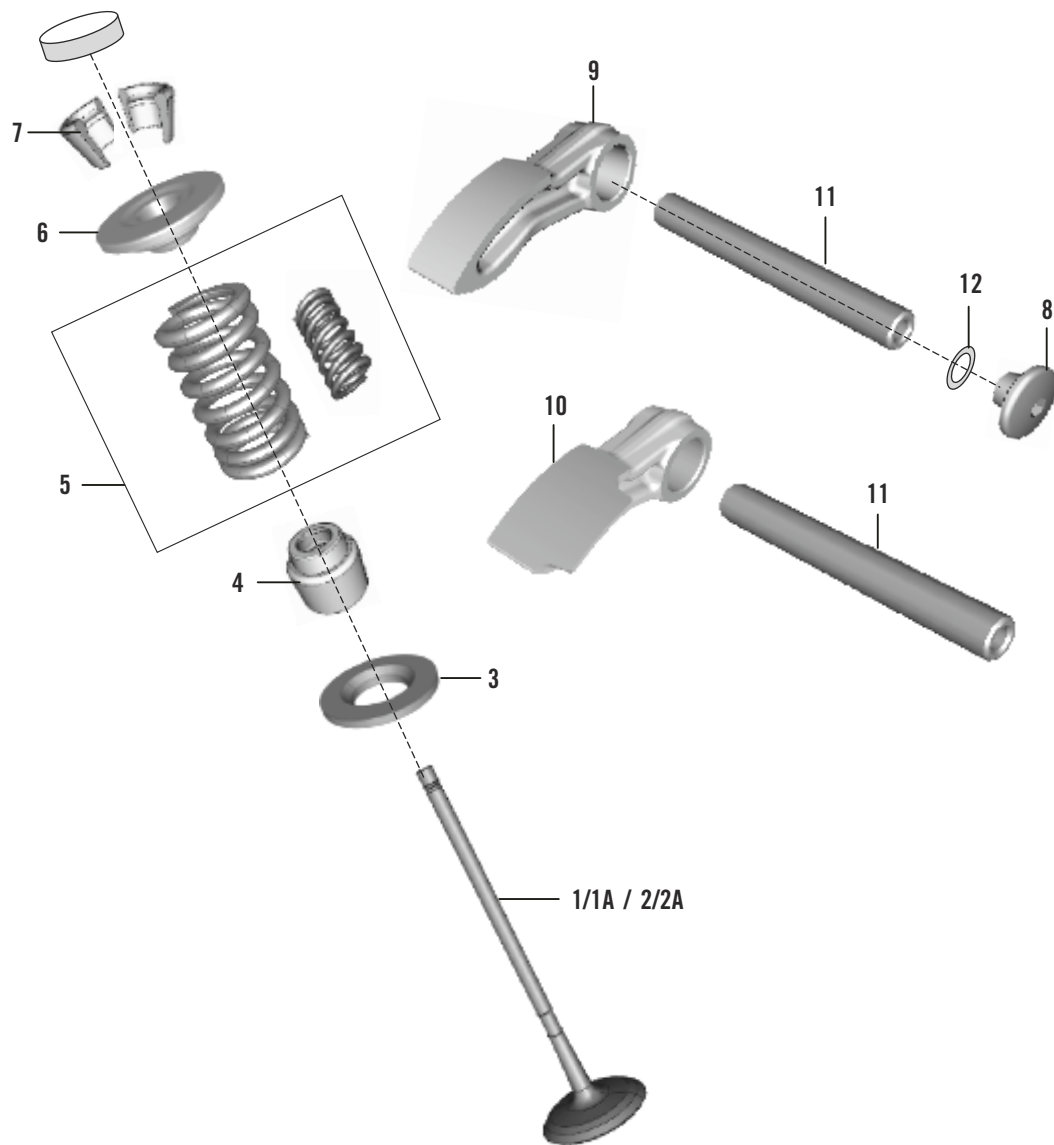
No.	Part No.	Description	Qty	
			250 MY17	390 MY17
1	JP601209	Radiator Cpl. (w/o Fan)	1	1
2	JP181233	Spacer Radiator Shroud	2	2
3	JY601235	Radiator Fan	1	1
4	JY601248	Bracket Fan Assembly A LH	1	1
5	JY601249	Bracket Fan Assembly B RH	1	1
6	JY601250	Bracket Fan assly C Bottom	1	1
7	LCL00002	Flanged Nut M6	2	2
8	LAD00040	Bolt Flanged M6 - 6L	1	3
9	JY113801	Radiator Bracket RH	1	1
10	JY113800	Radiator Bracket LH	1	1
11	KADM0610	HH Collar Screw M6x10 Sw8	2	2
12	JY601241	Flange Nut	3	3
13	JG601235	Radiator Cap	1	1
14	KDCF0612	Washer Spring	2	2
15	JP181232	Sleeve Radiator	6	6
16	LAC00054	Bolt Socket-M6X1X16Xblkxfl.Head	5	5
17	39130911	Plain Washer	2	2
18	KCEE0605	Nut Dome Cap Single Piece-M6 X 1	4	4
19	JP181202	Cover Radiator LH	1	1
20	JP181203	Cover Radiator RH	1	1
21	JP601217	Rubber Damper Radiator Mounting	4	4
22	JP181236	Cap Radiator Shroud	1	1
23	JP113816	Bracket Radiator Mtg. Top	1	1
24	DJ181065	Clip Nut M6	1	1

COOLING SYSTEM

DUKE 250/390



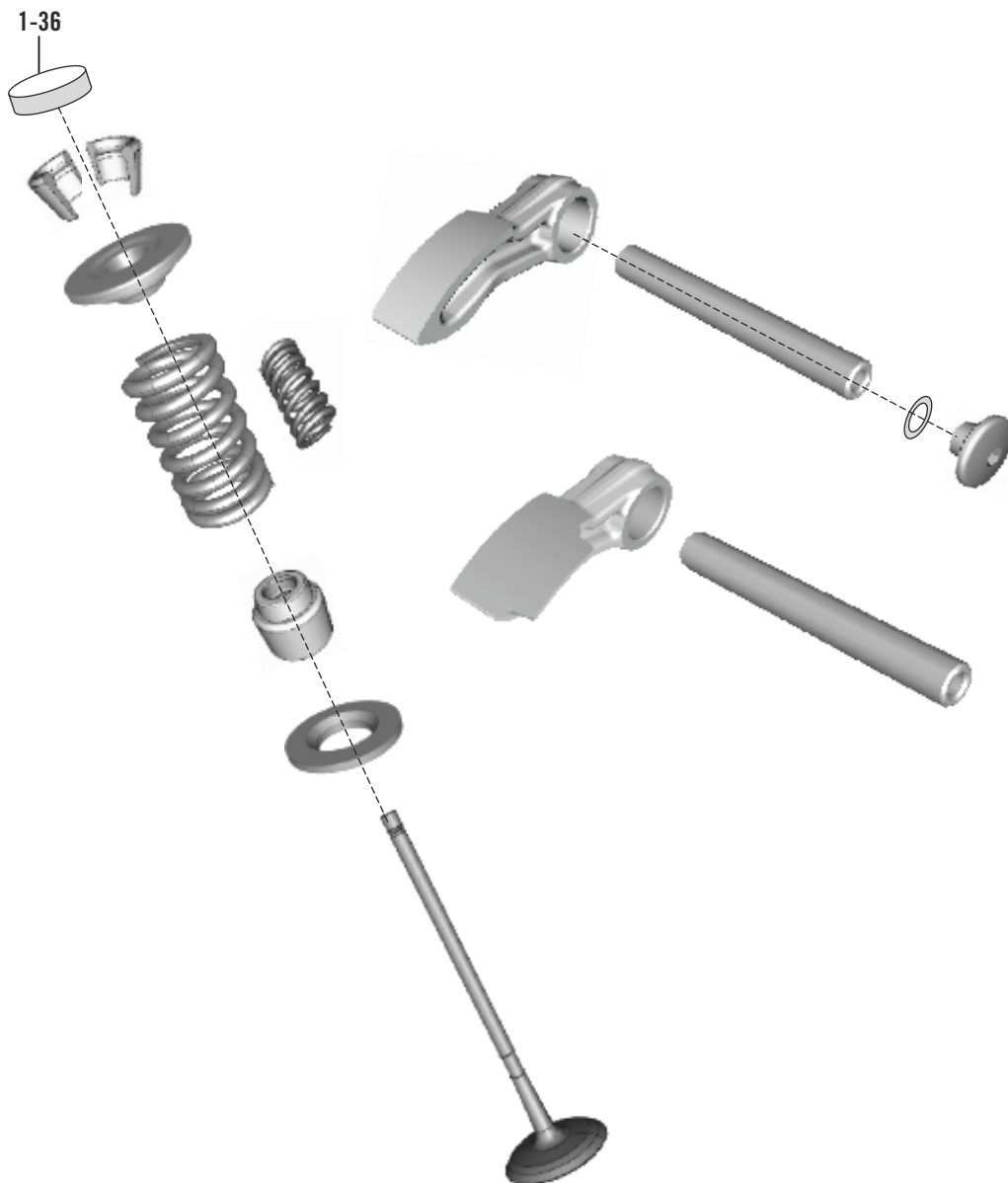
No.	Part No.	Description	Qty		
			250 MY17	390 MY17	
1	JP601204	Tank Expansion Assly	1	1	
2	JG601211	Reservoir Cap	1	1	
3	JG601230	O Ring Tank Cap	1	1	
4	JP181226	Grommet Expansion Tank	1	1	
5	JG171029	Clamp 10mm	3	3	
6	JG601213	Tube Drain	1	1	
7	JP601206	Tube Connecting	1	1	
8	JG181255	Step Bolt	1	1	
9	JG601014	Thermostat	1	1	
10	JP601212	Radiator Hose Therm. Radiator	1	1	
11	JP601210	Radiator Hose Engine-Therm.	1	1	
12	JP601211	Radiator Hose Therm. Cool. Pipe	1	1	
13	JG601239	Cooling Pipe "T" Cpl.	1	1	
14	JY601226	Radiator Hose Radi-Cool L.T	1	1	
15	JG601209	Hose Clamp D24	2	2	
16	JG601016	Hose Clamp D26	3	3	
17	JG601210	Hose Clamp D28	3	3	
18	LAE00041	Bolt Flanged M6xL14	2	2	
19	JG601221	O-Ring 18,5x3	1	1	
20	JP171053	Sleeve Expansion Tank Mtg	1	1	
21	JP171043	Bracket Expansion Tank Loose	1	1	Mtg on Tank
22	KADM0610	Bolt (0.8 ~ 1.0 Kg.m)	1	1	
23	JP171051	Grommet	1	1	For Spoiler RH
24	JL181027	Clip Nut	1	1	For Spoiler RH



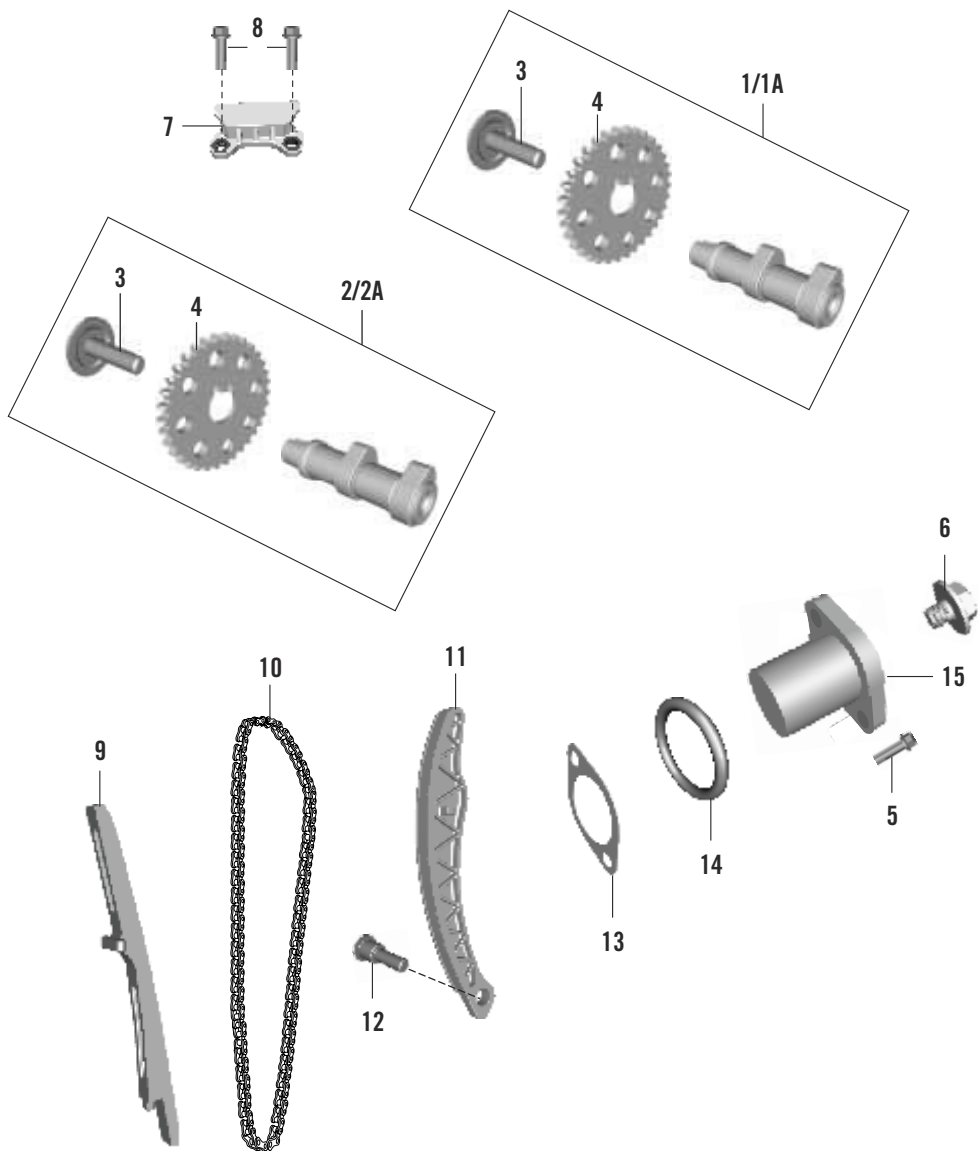
No.	Part No.	Description	Qty	
			250 MY17	390 MY17
1	JY511249	Exhaust Valve	2	--
1A	JY511222	Exhaust Valve	--	2
2	JY511248	Intake Valve	2	--
2A	JY511221	Intake Valve	--	2
3	JY511223	Seat Valve Spring	4	4
4	CB101009	Valve-stem Sealing (Oil Seal)	4	4
5	36JY0065	Kit Valve Spring	4	4
6	JY511225	Valve Spring Retainer	4	4
7	CB101022	Valve Collet	8	8
8	JG511016	Screw Plug	2	2
9	JU511204	Rocker Arm	4	3
10	JY511212	Rocker Arm De-comp	--	1
11	JY511226	Valve Lever Shaft	2	2
12	39102121	O ring 10,3x1,2 mm	2	2

VALVE SHIMS

DUKE 250/390



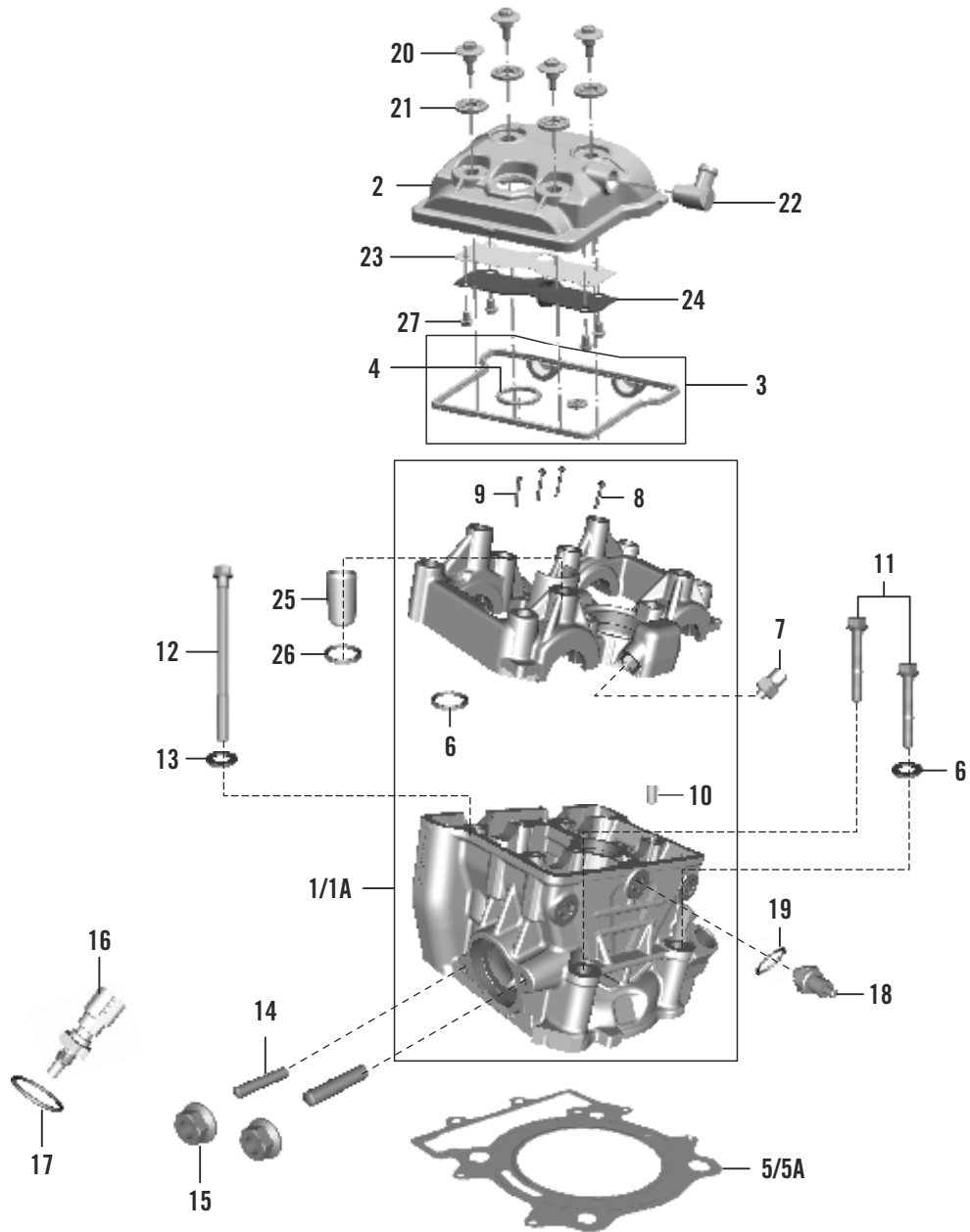
No.	Part No.	Description	Qty	
			250 MY17	390 MY17
1	36 JY00 29	Kit Shim 2 mm	1	1
2	36 JY00 30	Kit Shim 2.04 mm	1	1
3	36 JY00 31	Kit Shim 2.08 mm	1	1
4	36 JY00 32	Kit Shim 2.12 mm	1	1
5	36 JY00 33	Kit Shim 2.16 mm	1	1
6	36 JY00 34	Kit Shim 2.20 mm	1	1
7	36 JY00 35	Kit Shim 2.24 mm	1	1
8	36 JY00 36	Kit Shim 2.28 mm	1	1
9	36 JY00 37	Kit Shim 2.32 mm	1	1
10	36 JY00 38	Kit Shim 2.36 mm	1	1
11	36 JY00 39	Kit Shim 2.40 mm	1	1
12	36 JY00 40	Kit Shim 2.44 mm	1	1
13	36 JY00 41	Kit Shim 2.48 mm	1	1
14	36 JY00 42	Kit Shim 2.52 mm	1	1
15	36 JY00 43	Kit Shim 2.56 mm	1	1
16	36 JY00 44	Kit Shim 2.60 mm	1	1
17	36 JY00 45	Kit Shim 2.64 mm	1	1
18	36 JY00 46	Kit Shim 2.68 mm	1	1
19	36 JY00 47	Kit Shim 2.72 mm	1	1
20	36 JY00 48	Kit Shim 2.76 mm	1	1
21	36 JY00 49	Kit Shim 2.80 mm	1	1
22	36 JY00 50	Kit Shim 2.84 mm	1	1
23	36 JY00 51	Kit Shim 2.88 mm	1	1
24	36 JY00 52	Kit Shim 2.92 mm	1	1
25	36 JY00 53	Kit Shim 2.96 mm	1	1
26	36 JY00 54	Kit Shim 3 mm	1	1
27	36 JY00 55	Kit Shim 3.04 mm	1	1
28	36 JY00 56	Kit Shim 2.30 mm	1	1
29	36 JY00 57	Kit Shim 2.34 mm	1	1
30	36 JY00 58	Kit Shim 2.38 mm	1	1
31	36 JY00 59	Kit Shim 2.42 mm	1	1
32	36 JY00 60	Kit Shim 2.46 mm	1	1
33	36 JY00 61	Kit Shim 2.50 mm	1	1
34	36 JY00 62	Kit Shim 2.54 mm	1	1
35	36 JY00 63	Kit Shim 2.58 mm	1	1
36	36 JY00 64	Kit Shim 2.62 mm	1	1



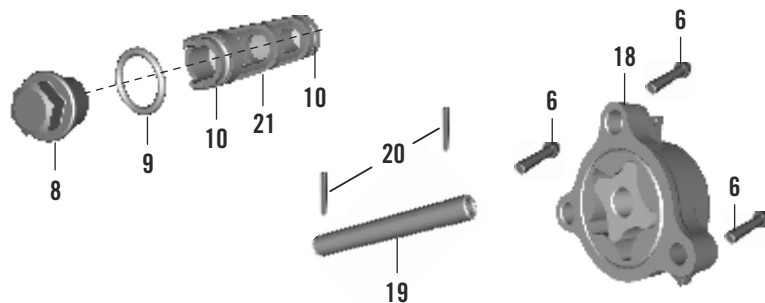
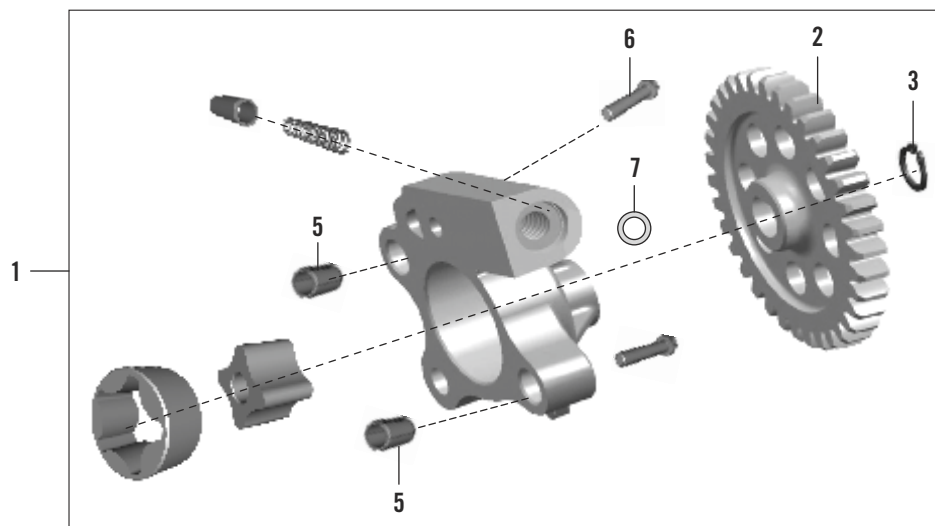
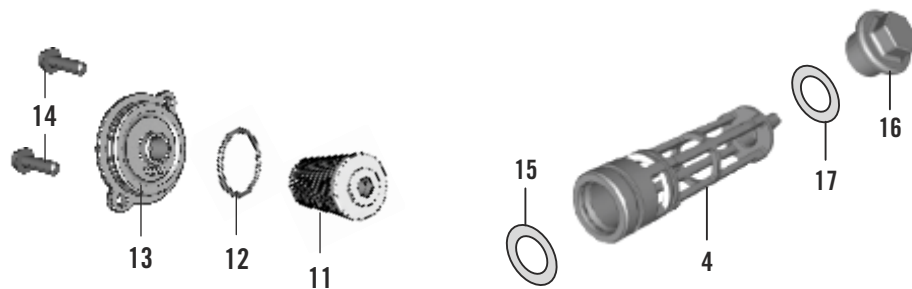
No.	Part No.	Description	Qty	
			250 MY17	390 MY17
1	JY511274	Camshaft Intake	1	--
1A	JY511272	Intake Camshaft Assly	--	1
2	JY511276	Ex Camshaft Assly	1	--
2A	JY511269	Ex Camshaft Assly (with De-comp)	--	1
3	LAC00076	Bolt Socket	2	2
4	JY511271	Sprocket Camshaft	2	2
5	KAEQ0620	Bolt Flange Small- M6X1XL20X Bright	2	2
6	JG511270	Bolt Special	1	1
7	JY511058	Guide Rail Top	1	1
8	KAEG0645	HH - Collar Screw M6x14WS8	2	2
9	JY511229	Timing Chain Guide (Tight Side)	1	1
10	JY511220	Timing Chain	1	1
11	JY511227	Chain Guide (Slack Side)	1	1
12	JY541009	Pivot Bolt Special	1	1
13	CS101128	Gasket Chain Adjuster	1	1
14	39266921	O-Ring 10,15x1,5	1	1
15	JY511238	Chain Tensioner	1	1

CYLINDER HEAD

DUKE 250/390



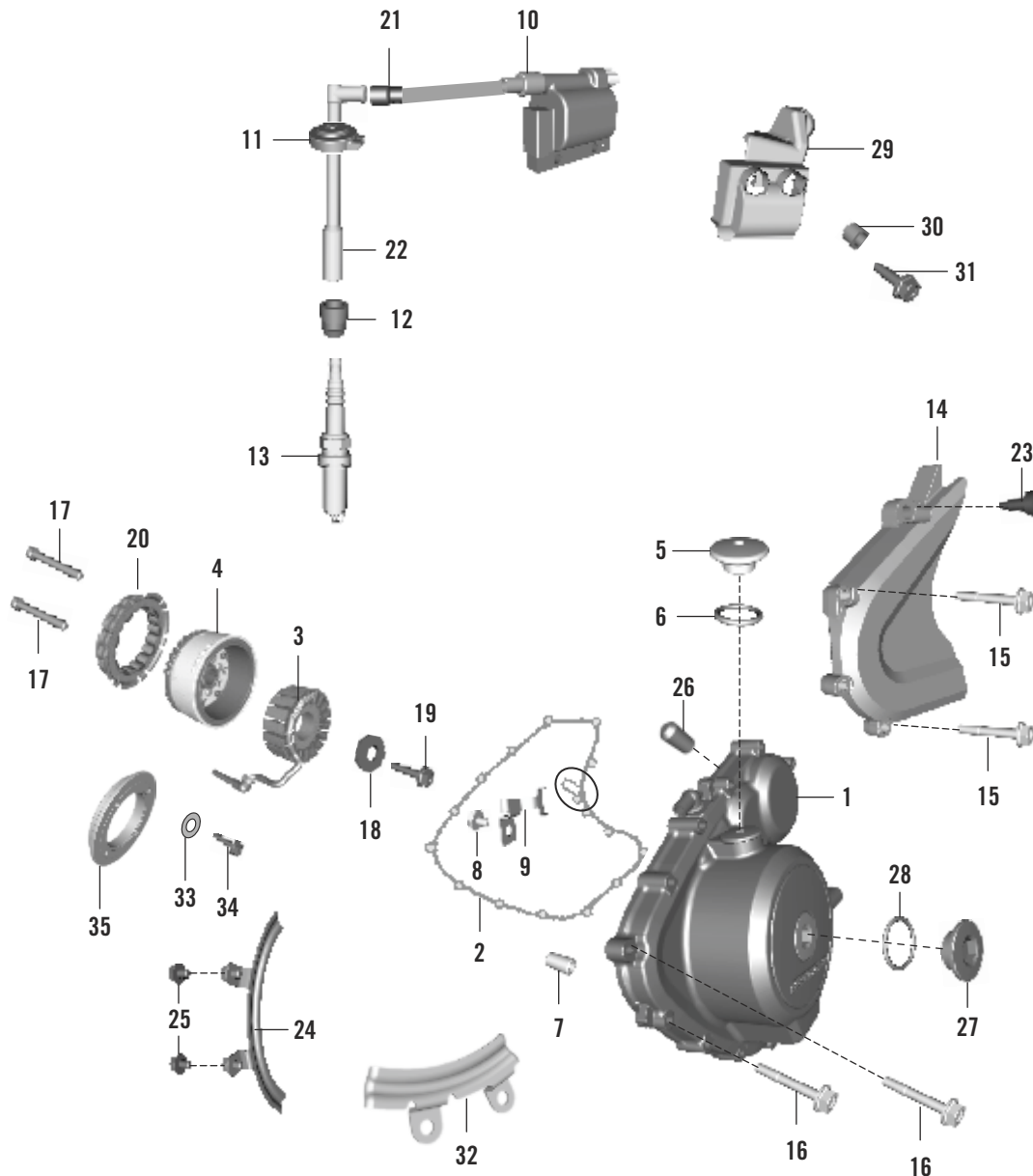
No.	Part No.	Description	Qty	
			250 MY17	390 MY17
1	JY511103	Cylinder Head Cpl.	1	--
1A	JY511067	Cylinder Head Cpl.	--	1
2	JY511048	Cylinder Head Cover	1	1
3	36JY0199	Valve Cover Gasket Kit	1	1
4	JY511074	Gasket Sleeve Spark Plug	1	1
5	JY511108	Cylinder Head Gasket	1	--
5A	JY511070	Cylinder Head Gasket	--	1
6	LDA00014	Washer 11,2x20x2	4	4
7	JG541021	Oil Nozzle	4	4
8	KAEQ0640	Bolt Flange Small- M6X1XL40XDACRO	2	2
9	39107504	Bolt Flange Small	4	4
10	39099906	Pin Dowel 8x6,4x14mm	2	2
11	LAC00024	Collar Screw M6	2	2
12	LAC00032	Bolt Socket- M10X1.25XL143.75XSTEP	4	4
13	LDA00015	Washer 11,2x20x2	2	2
14	JG511046	Stud M8	2	2
15	LCG00006	Flanged Nut M8 H7,5 Ws12	2	2
16	JG351400	Coolant Water Temp. Sensor	1	1
17	39269920	O-ring	1	1
18	DK101225	Oil Pressure Sensor	1	1
19	DK101340	O-ring	1	1
20	JG511022	Bolt Special	4	4
21	JG511021	Rubber Washer	4	4
22	JP511001	Breather Pipe	1	1
23	JY511059	Cyl. Head Gasket Breather	1	1
24	JY511060	Plate Breather	1	1
25	JY511068	Sleeve Spark Plug	1	1
26	LJA00001	O Ring	2	2
27	LAE00017	Bolt Flange M6X10	4	4



No.	Part No.	Description	Qty	
			250 MY17	390 MY17
1	JY571012	Oil Pump Assly Complete	1	1
2	JY571023	Gear Oil Pump Drive	1	1
3	KEAB1010	Circlip	1	1
4	JY571030	Mesh Strainer Assly.	1	1
5	39099906	Pin - Hollow Dowel	2	2
6	LAE00018	Bolt Flanged M6X1X30L-Precoated	3	3
7	LDA00017	Plain Washer	2	2
8	JY571009	Strainer Cap Evacuation	1	1
9	LJA00006	O Ring Strainer Cap	1	1
10	LJA00002	O Ring Strainer Evacuation	2	2
11	JG571014	Oil Filter	1	1
12	JG571016	O Ring	1	1
13	JY571033	Cap Oil Filter	1	1
14	KAEQ0616	Hexagonal Flange Bolt	2	2
15	LJA00004	O Ring	1	1
16	JA541021	Strainer Cap	1	1
17	59210023	O Ring	1	1
18	JY571015	Pump Evacuation Assly.	1	1
19	JY571024	Oil Pump Shaft	1	1
20	LHD00001	Pin Parallel	3	3
21	JY571008	Strainer Evacuation	1	1

IGNITION SYSTEM

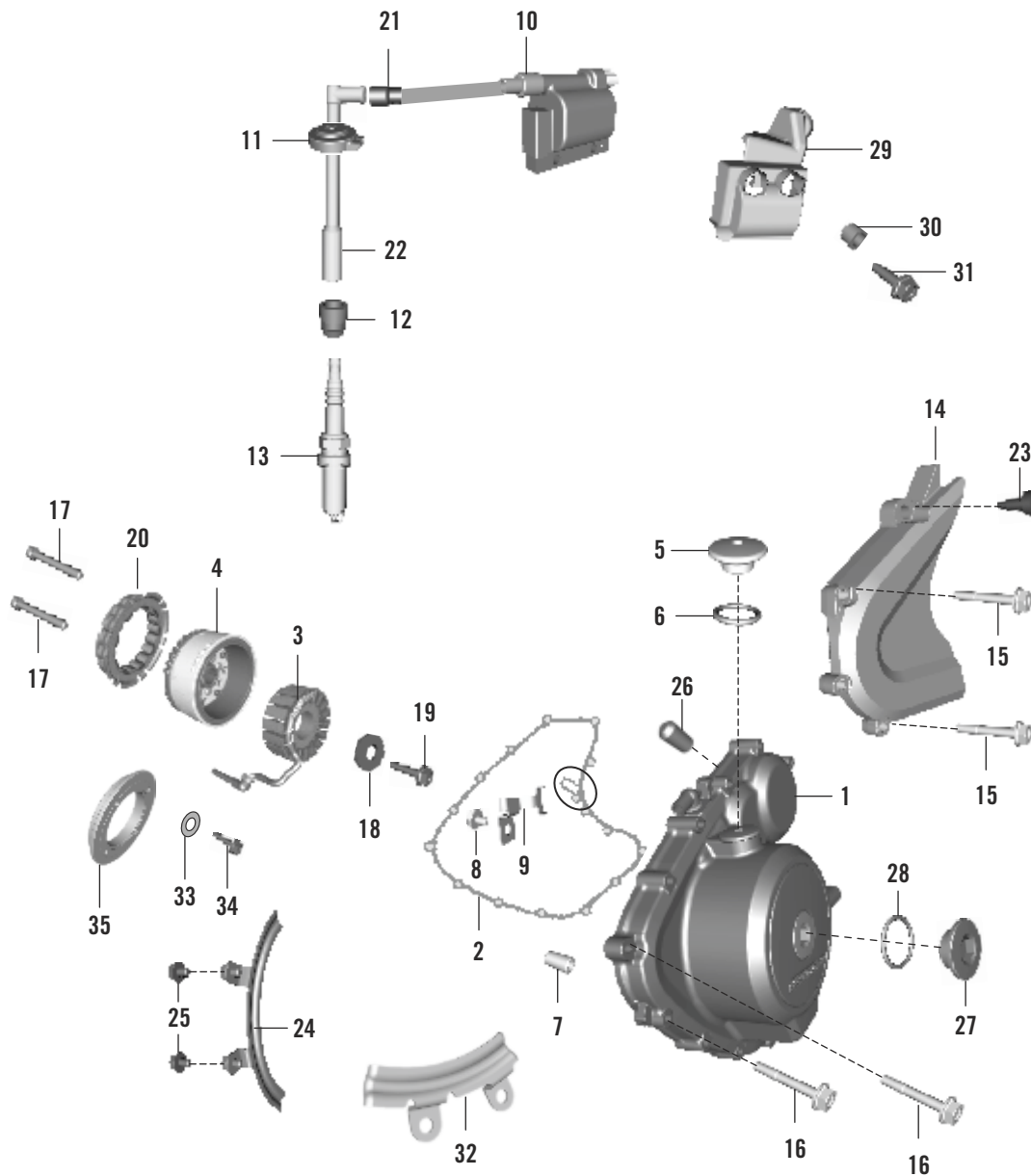
DUKE 250/390



No.	Part No.	Description	Qty	
			250 MY17	390 MY17
1	JY541274	Magneto Cover Assly	1	1
2	JY541276	Magneto Cover Gasket	1	1
3	JY351023	Stator Cpl.	1	1
4	JY351025	Rotor Cpl.	1	1
5	JG541232	Cap TDC Finder	1	1
6	30101195	O-ring15,8x2,4	1	1
7	39099906	Pin Dowel 8x6,4x14mm	2	2
8	LAE00016	Pan Cross Screw M5X10 PH	1	1
9	JY541208	Bracket F. Stator Cable	1	1
10	JG351203	Ignition Coil With Cable	1	1
11	JY351203	Gasket Spark Plug Connect.	1	1
12	JG351202	Rubber Gasket Spark Plug	1	1
13	JY351205	Spark Plug M12 (BOSCH)	1	1
14	JY541227	Cover LH RR	1	1
15	KAEQ0650	HH Collar Screw M6x50 SW10	3	3
16	KAEQ0635	HH Collar Screw M6x35 Sw10	12	12
17	LAC00003	Bolt Socket	3	3
18	LDB00041	Washer Plain10.3xOD29xT8	1	1
19	LAD00124	Flanged Bolt M10X1,25x55	1	1
20	JY551402	Assly Gear Starter Clutch	1	1
21	DD111012	Grommet H.T Coil	1	1
22	JY351200	Spark Plug Cap	1	1
23	LAC00014	Bolt Sprocket Cover Mounting	1	1
24	JY541222	Plate Harness	1	1
25	LAE00016	Flange Bolt M5x0.8x6L	4	4

IGNITION SYSTEM

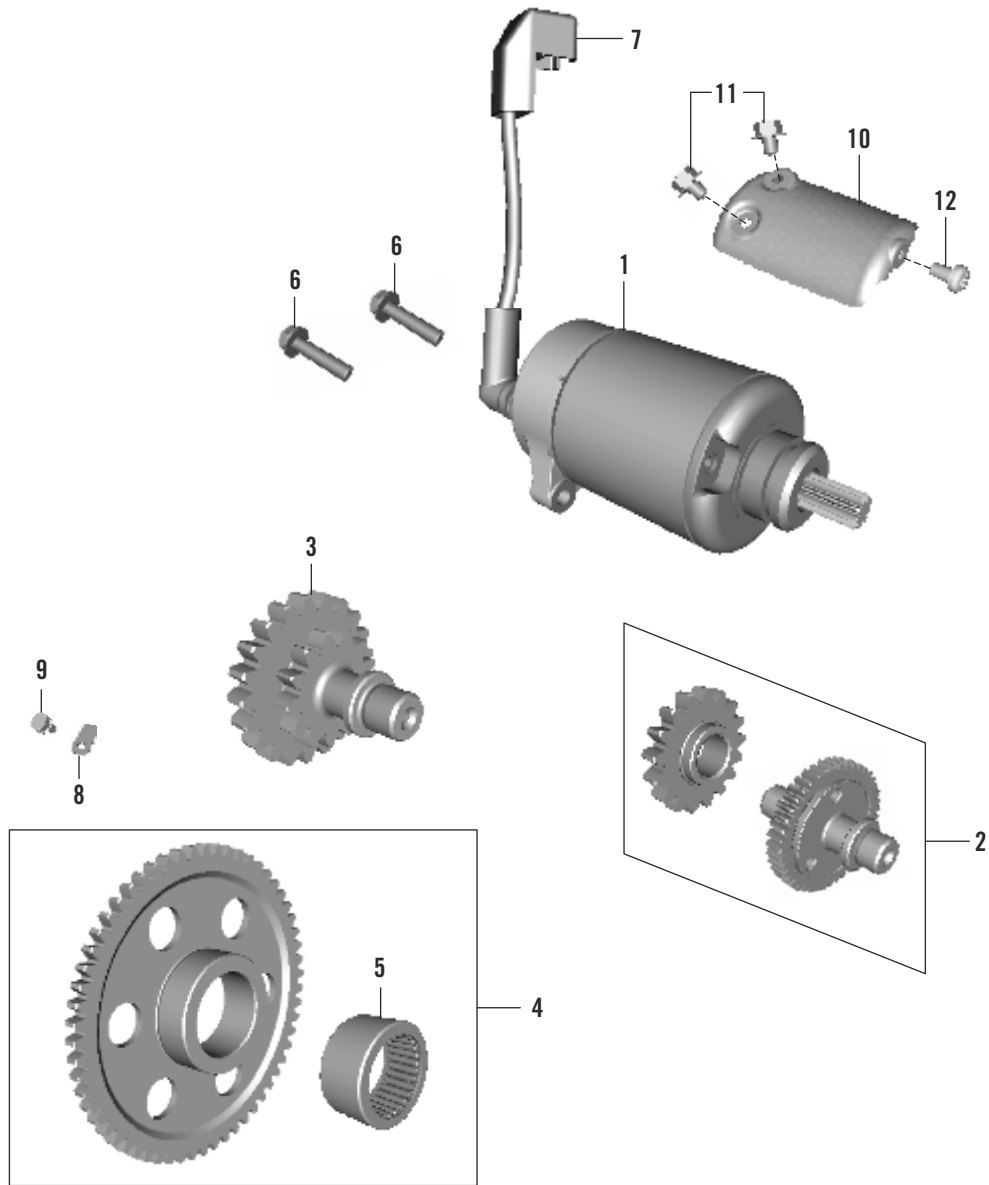
DUKE 250/390



No.	Part No.	Description	Qty	
			250 MY17	390 MY17
26	JY541255	Oil Jet	1	1
27	JY541206	Cap Crankcase Centre	1	1
28	LJA00007	O Ring Cap C'case 24x2.5	1	1
29	JP181288	Cover Ignition Coil	1	1
30	JP113835	Sleeve Cover Ignition Coil	2	2
31	LAC00120	Bolt Socket-M6X1XL 35XCL 8.8XBLK	2	2
32	JY541071	Plate Harness 2	1	1
33	39084914	Washer Lock Toothed	4	4
34	DH101389	Bolt Socket	4	4
35	JG351019	Body starter clutch	1	1

ELECTRICAL STARTER

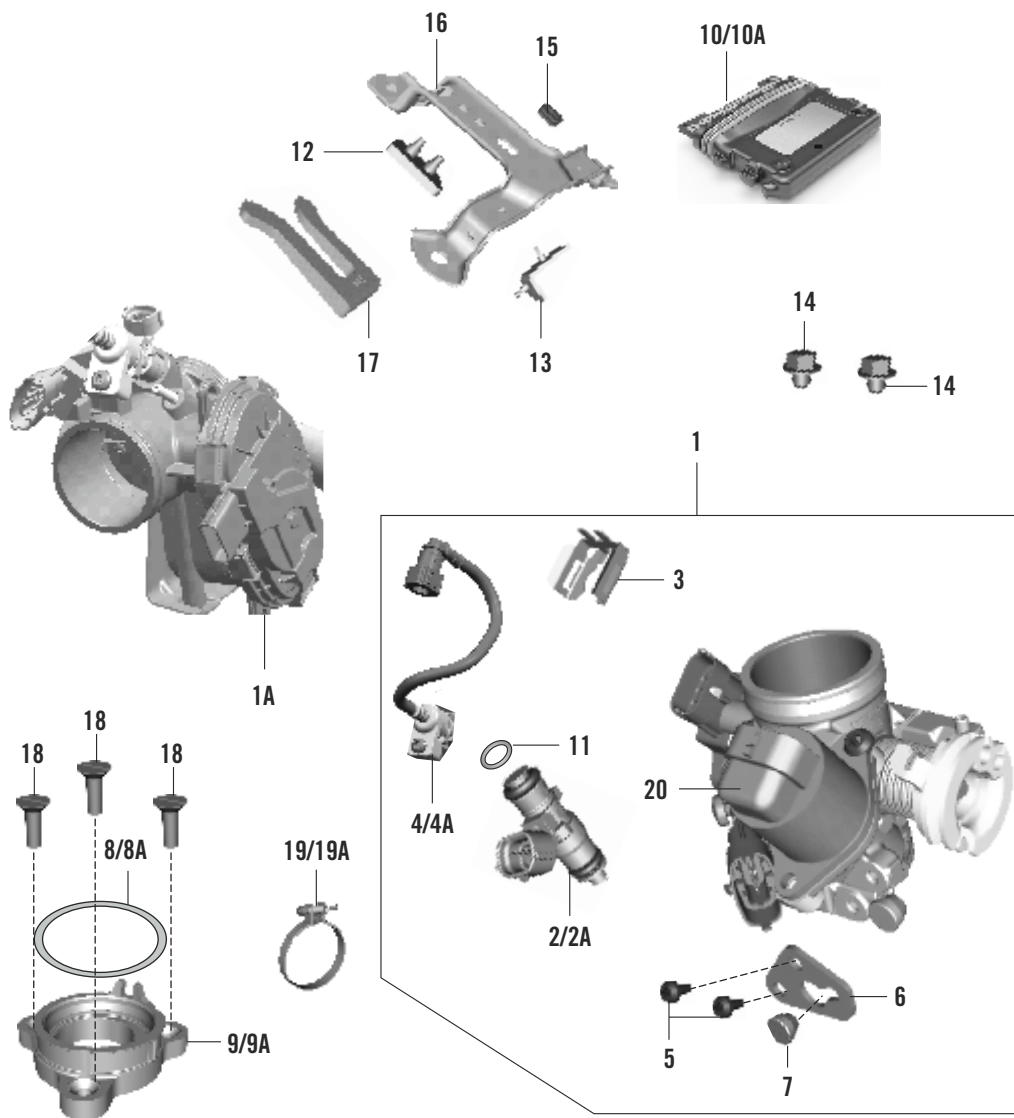
DUKE 250/390



No.	Part No.	Description	Qty	
			250 MY17	390 MY17
1	JY351607	Starter Motor Assly	1	1
2	JY551226	Gear Starter Counter Assly 1	1	1
3	JY551225	Gear Starter Counter Assly 2	1	1
4	JY621411	Gear Starter Assly	1	1
5	BF621402	Needle Roller Bearing 25x32x16	1	1
6	KADQ0625	Bolt Flanged	2	2
7	JP402203	Cable Relay to Starter Motor	1	1
8	JY541040	Retainer Starter Gear	1	1
9	LAE00042	Starter Gear Retainer Bolt M6x16	1	1
10	JY591308	Shield Starter Motor	1	1
11	LAE00016	Bolt Flanged M5X0.8X6L-Precoated	2	2
12	KBBE0408	Screw Pan Cross	1	1

THROTTLE BODY

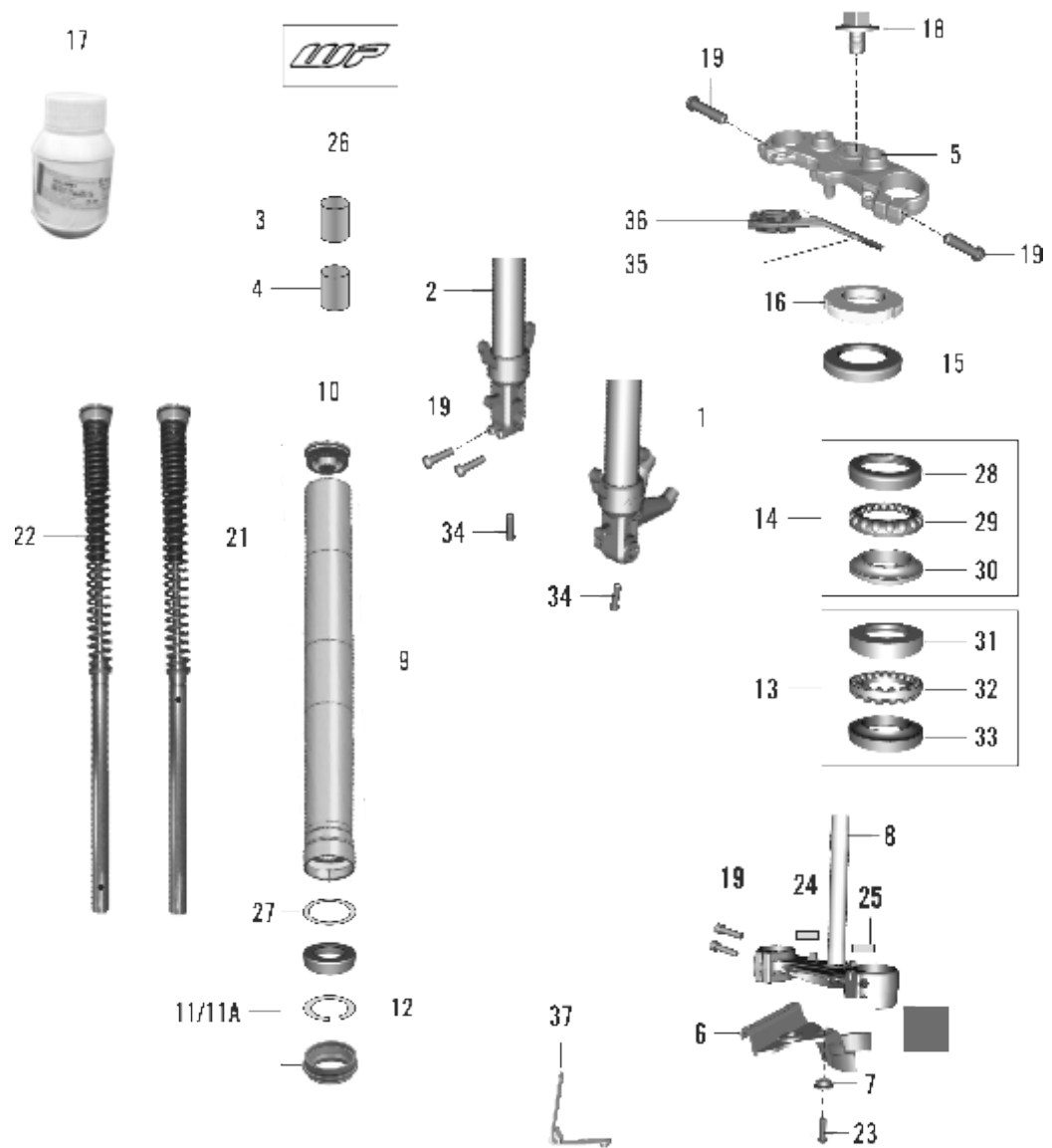
DUKE 250/390



No.	Part No.	Description	Qty	
			250 MY17	390 MY17
1	JP611209	Throttle Body Cpl.	1	--
1A	JP611201	Throttle Body Cpl	--	1
2	JG611007	Fuel Injector (White Dot)	1	--
2A	JY611000	Fuel Injector (Red Gold Dot)	--	1
3	JG611006	Clamp F. Injector	1	1
4	JP611206	Injector Cap	1	--
4A	JY581201	Injector Cap	--	1
5	JG581424	Special Screw M5x12	5	--
6	JP611211	Bracket Throttle Cable	1	--
7	DS161156	Plug Seat Lock Cable	--	1
8	JG581407	O-ring Conn. Fl. Cyl.- Thr. Body	1	--
8A	JY581404	O-ring Conn. Fl. Cyl.- Thr. Body	--	1
9	JU581413	Intake Pipe	1	--
9A	JY581200	Intake Pipe	--	1
10	JF351404	ECU - (KM9U2EU1715101)	1	--
10A	JY351417	ECU - (KM933IN1710901)	--	1
11	JL611000	Injector Cap O Ring	1	1
12	JY113874	Damper Ecu C Sample Mtg Top	1	1
13	JY171007	Pad Rubber New Ecu My16	2	2
14	KADM0610	Bolt Flanged	2	2
15	JY113877	Damper Ecu Locator	1	1
16	JP113803	Bracket ECU Mounting Top	1	1
17	JP113826	Pad Resting Ecu My17	1	1
18	LBC00003	Flat Head Screw M6X18	3	3
19	JU581006	Clamp Connecting Tube	1	--
19A	JY581405	Clamp Connecting Tube	--	1
20	JG611206	Stepper Motor	1	--

FRONT FORK, TRIPLE CLAMP

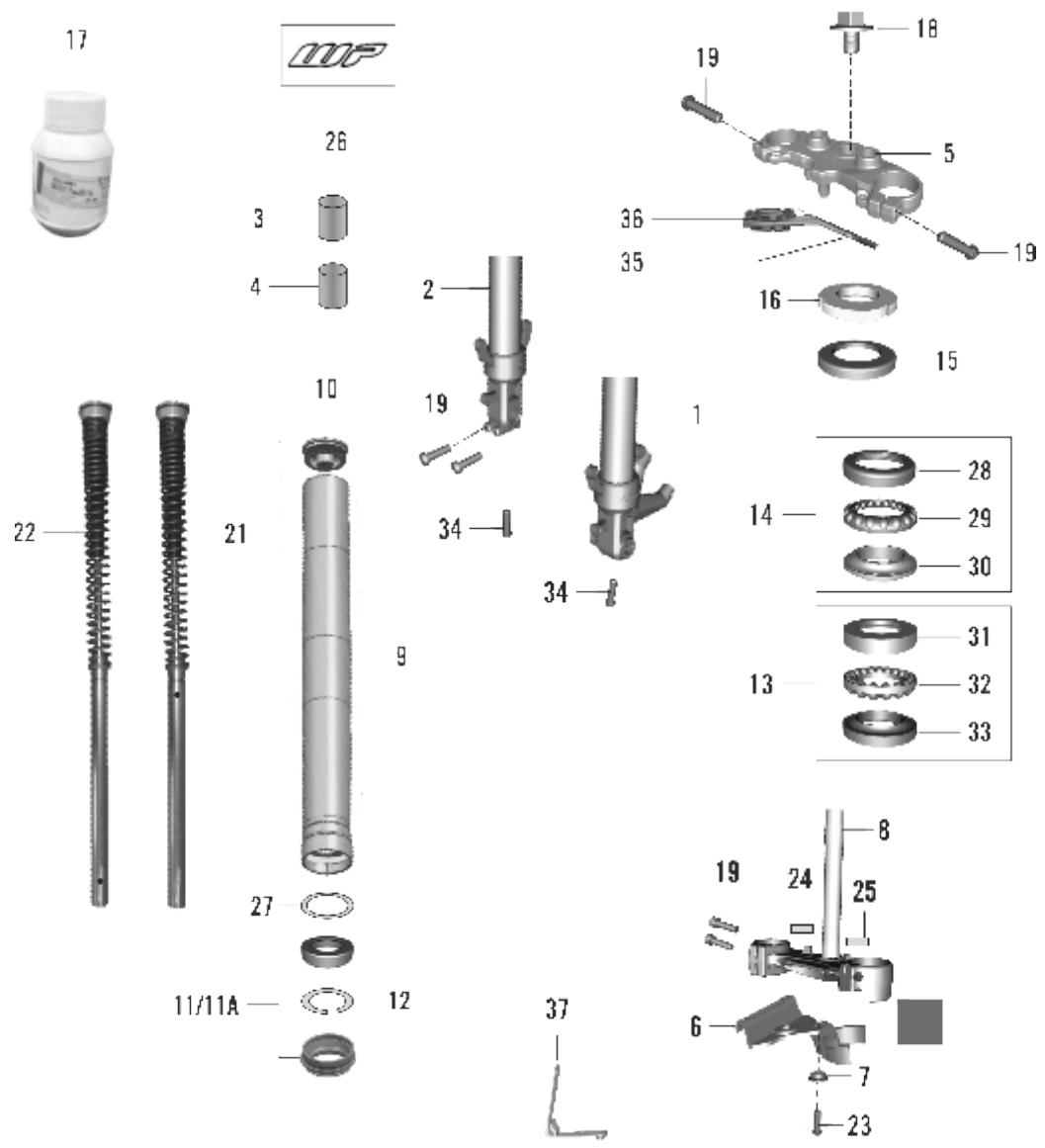
DUKE 250/390



No.	Part No.	Description	Qty		
			250 MY17	390 MY17	
1	JP121037	Axle Clamp & Fork Pipe Assly LH	1	1	
2	JP121038	Axle Clamp & Fork Pipe Assly RH	1	1	
3	JP121041	Guide Bush Lower	2	2	
4	JP121040	Guide Bush Upper	2	2	
5	JP151010	Clamp Triple (Upper)	1	1	
6	JG113857	Hose Clamp	1	1	
7	JG113832	Sleeve for ABS Hose Clamp	4	4	
8	JP121046	Lower Triple Clamp GDC	1	1	
9	JP121022	Outer Tube Assly	2	2	
10	JP121047	Fork Bolt (Screw Cap)	2	2	
11	JP121039	Oil Seal Kit SFK	2	2	
11A	36JU0019	Oil Seal Kit NOK	2	2	
12	JU121009	Circlip	2	2	
13	36JU0075	Kit Steering Race Lower	1	1	
14	36JU0074	Kit Steering Race Upper	1	1	
15	DK181076	Protection Cap	1	1	
16	JG151026	Steering Nut	1	1	
17	JP121045	FUCHS make Fork Oil	2	2	450 ml oil / leg
18	JY151011	Steering Bolt Top	1	1	
19	JY121011	Bolt Socket M8x125x30L Blk	8	--	
19A	JG121021	Bolt Socket M8x125x30L Blk	--	8	
21	JP121028	Cartridge Split Cpl (Comp)	1	--	LHS
21A	JP121043	Cartridge Split Cpl (Comp)	--	1	LHS
22	JP121034	Cartridge Split Cpl (Reb)	1	--	RHS
22A	JP121044	Cartridge Split Cpl (Reb)	--	1	RHS
23	LAC00010	Bolt for Hose ABS Bracket	2	2	
24	JG151024	Plain Washer	1	1	
25	DG181004	Rubber Seal	1	1	
26	JP121048	WP Sticker	2	2	
27	LDB00036	Washer	2	2	
28	DG181045	Bearing Cone Upper	1	1	
29	DK181050	Cage Bearing Steering Top	1	1	
30	DG181046	Bearing Race Upper	1	1	

FRONT FORK, TRIPLE CLAMP

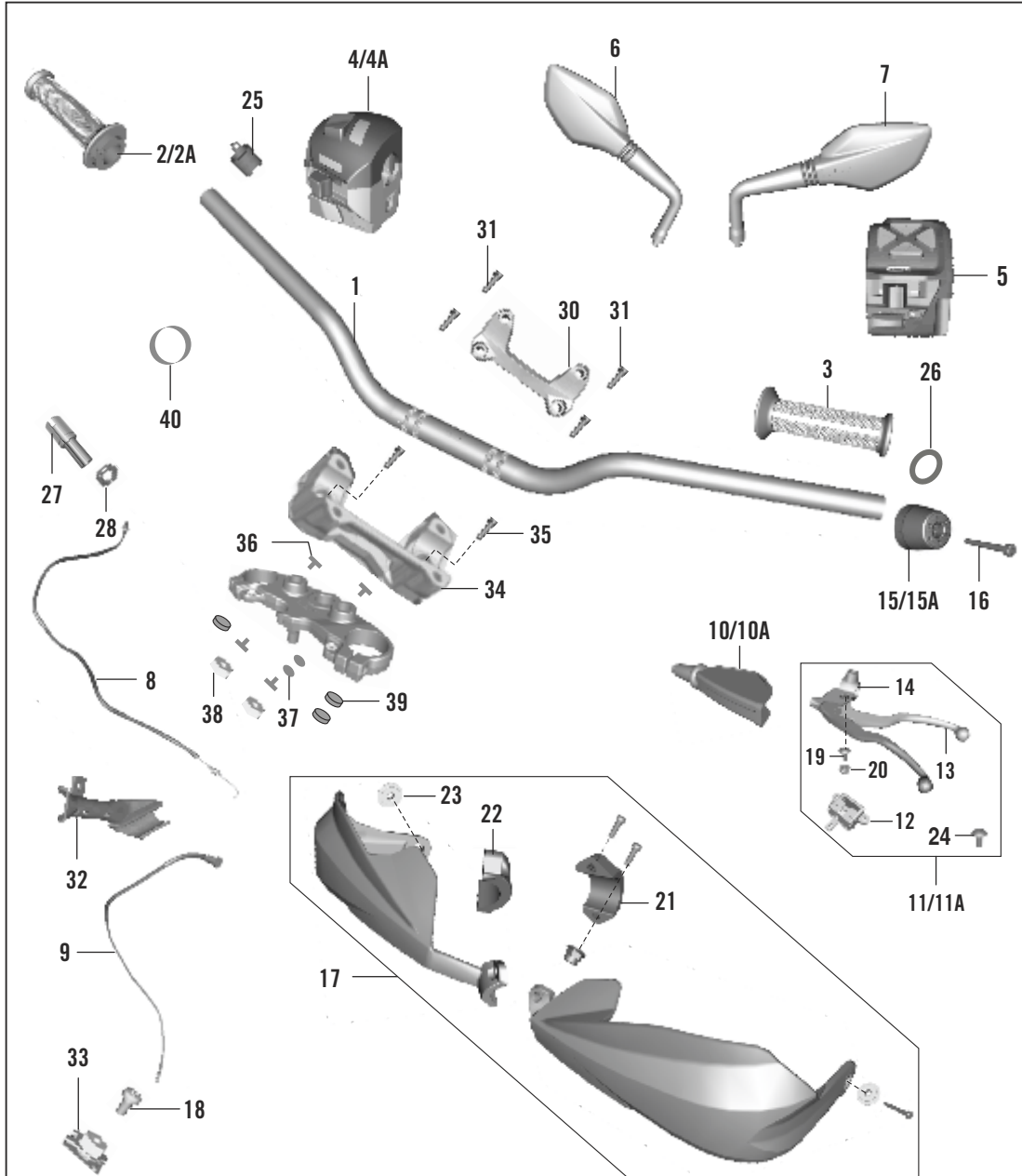
DUKE 250/390



No.	Part No.	Description	Qty	
			250 MY17	390 MY17
31	DG181047	Bearing Race Lower	1	1
32	DK181051	Cage Bearing Steering Bottom	1	1
33	DG181005	Bearing Cone	1	1
34	LAC00126	Cheese Head Screw M10x1.5x25	1	1
35	JP113824	Bracket Clutch Cable Loose	1	1
36	JP113833	Plastic Sleeve	1	1

HANDLEBAR, CONTROLS

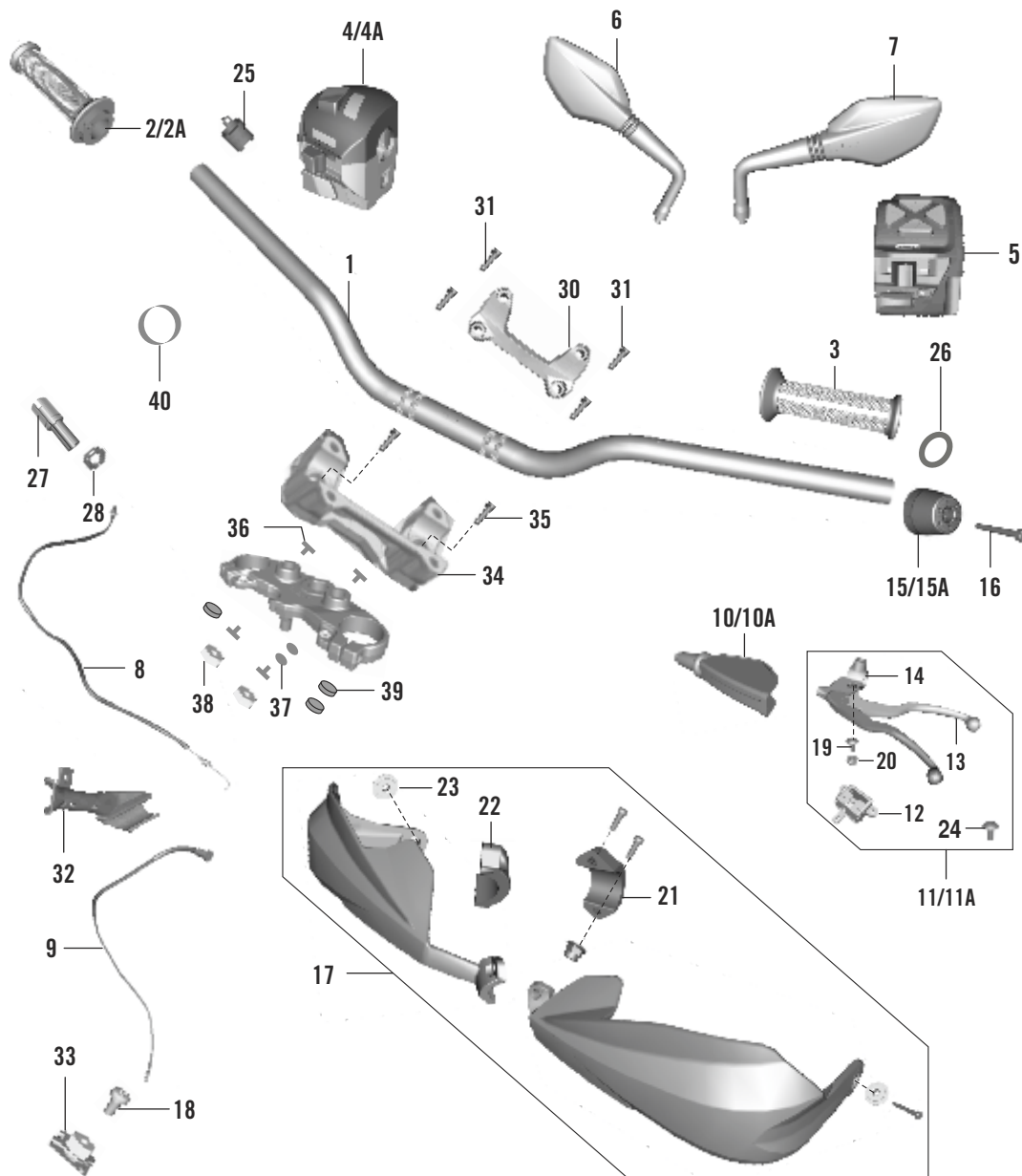
DUKE 250/390



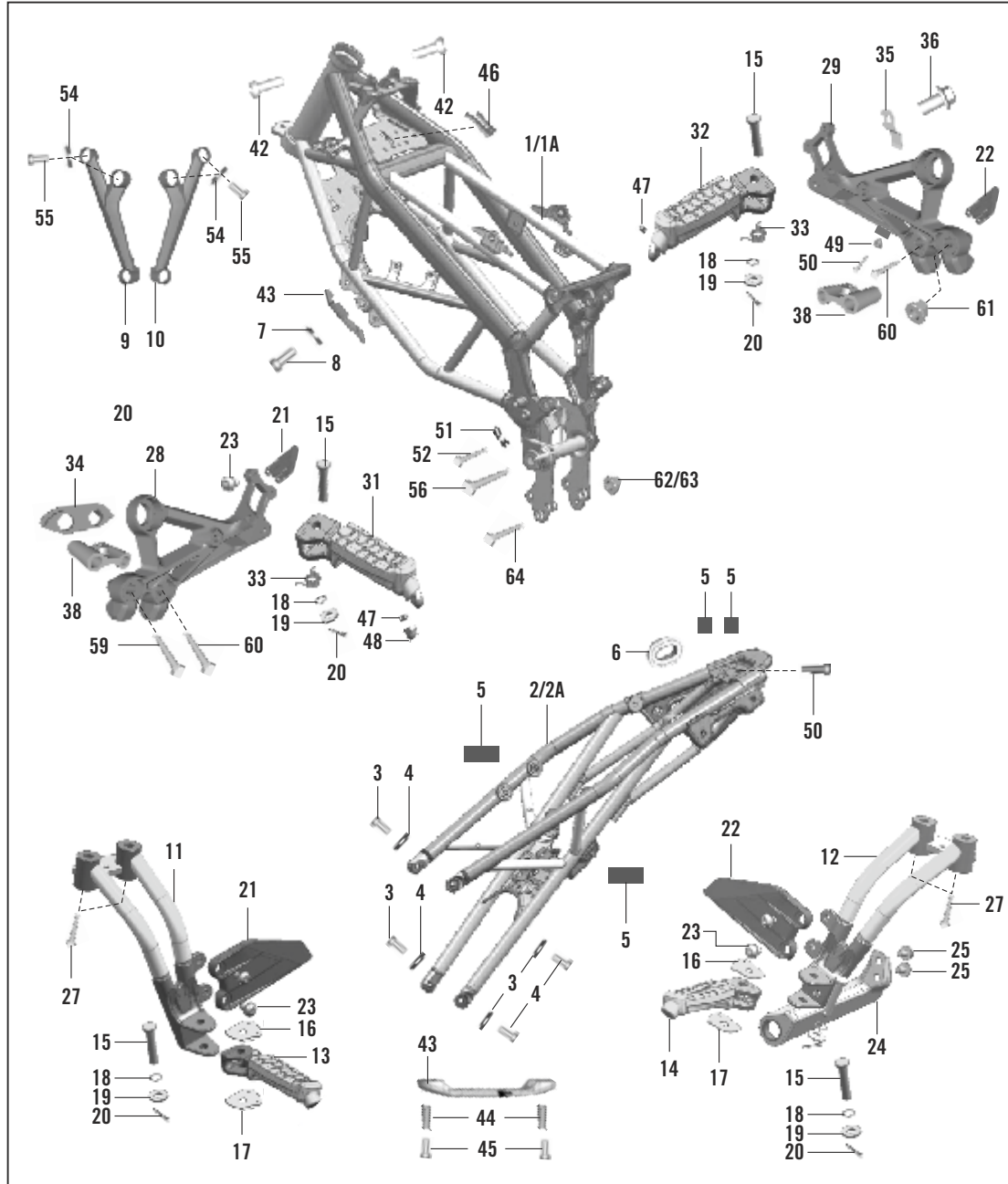
No.	Part No.	Description	Qty	
			250 MY17	390 MY17
1	JP151004	Handle Bar	1	1
2	JG151036	Assly Grip Handlebar RH	1	--
2A	JY151036	Assly Grip Handlebar LH	--	1
3	JY151015	Grip Hand LH	1	1
4	JP401402	Control Switch RH	1	--
4A	JY401407	Control Switch RH	--	1
5	JP401401	Control Switch LH	1	--
5A	JP401406	Control Switch LH	--	1
6	JP231600	Mirror LH	1	1
7	JP231601	Mirror RH	1	1
8	JP161203	Throttle Cable	1	--
9	JY161205	Clutch Cable	1	1
10	DS191052	Lever Boot LH	1	--
10A	JY161023	Lever Boot LH	--	1
11	JP161004	Clutch Lever Complete	1	--
11A	JY161008	Clutch Lever Complete Adjustable	--	1
12	JY401404	Clutch Switch	1	1
13	JY161007	Lever Grip Left	1	--
14	JL161014	Holder LH	1	1
15	DK181043	Handle Bar Weight	2	--
15A	JZ151069	Handle Bar Weight	--	2
16	LAC00116	Bolt Socket-M6X1X155XCL8.8XBlack	2	2
17	36JP0018	Hand Guard Kit KTM 390 Orange	--	1
18	KBUB0512	Screw Truss	1	1
19	JZ161028	Stud For lever Handle	1	1
20	39118415	Nut For lever Handle Stud	1	1
21	JG231215	Clamp Hand Guard LH	--	1
22	JG231216	Clamp Hand Guard RH	--	1
23	JG231221	Spacer Hand Guard	--	2
24	LBU00012	Screw for Clutch Switch	2	2
25	JP151012	Spacer Handlebar	1	--
26	JG231214	Spacer Handlebar Weight	--	2
27	36DU1901	Adjusting Screw	1	1
28	30191017	Nut	1	1
29	39155304	Bolt - Flange M6- Holder Assembly	1	1
30	JP151016	Handle Holder Top	1	1

HANDLEBAR, CONTROLS

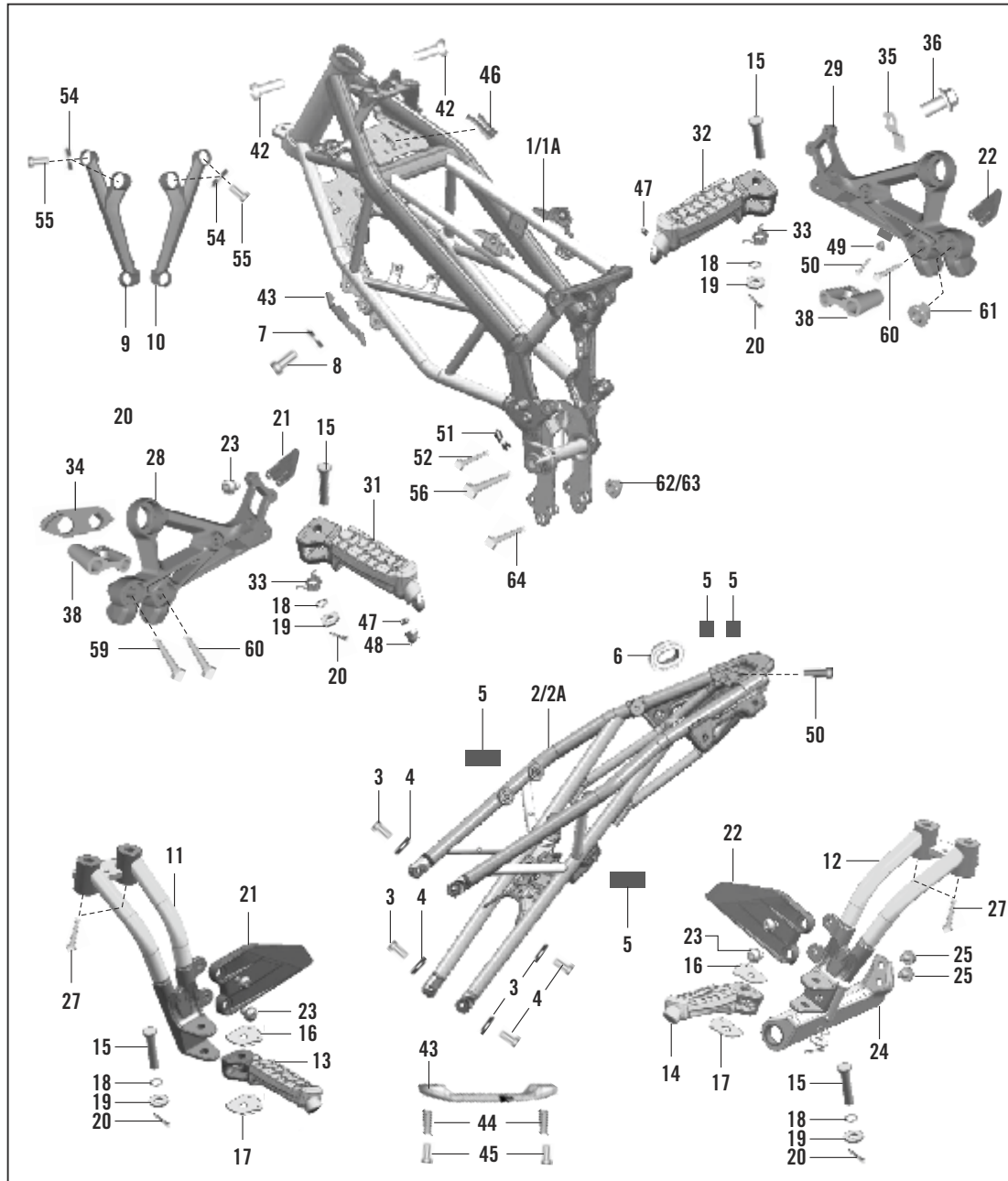
DUKE 250/390



No.	Part No.	Description	Qty		
			250 MY17	390 MY17	
31	LAC00111	Bolt Socket-M8X1.25Xl 29Xblack	4	4	
32	JP113828	Guide Clutch Cable	1	1	
33	JG171031	Clip Nut M5	1	1	
34	JP151015	Holder Handlebar Bottom	1	--	
35	LAC00092	Bolt Socket M10x1.25xL73xCL8.8xBRT (2~2.2 Kg.m)	2	2	
36	JG151012	Bush (RHS)	4	4	} Inside Upper Triple Clamp
37	LCH00001	Nut (LHS)	2	2	
38	JP151009	Spacer (LHS)	2	2	
39	JG151013	Cup Washer (2 LHS/1 RHS) Lower	3	3	
40	PA402204	Band	2	2	



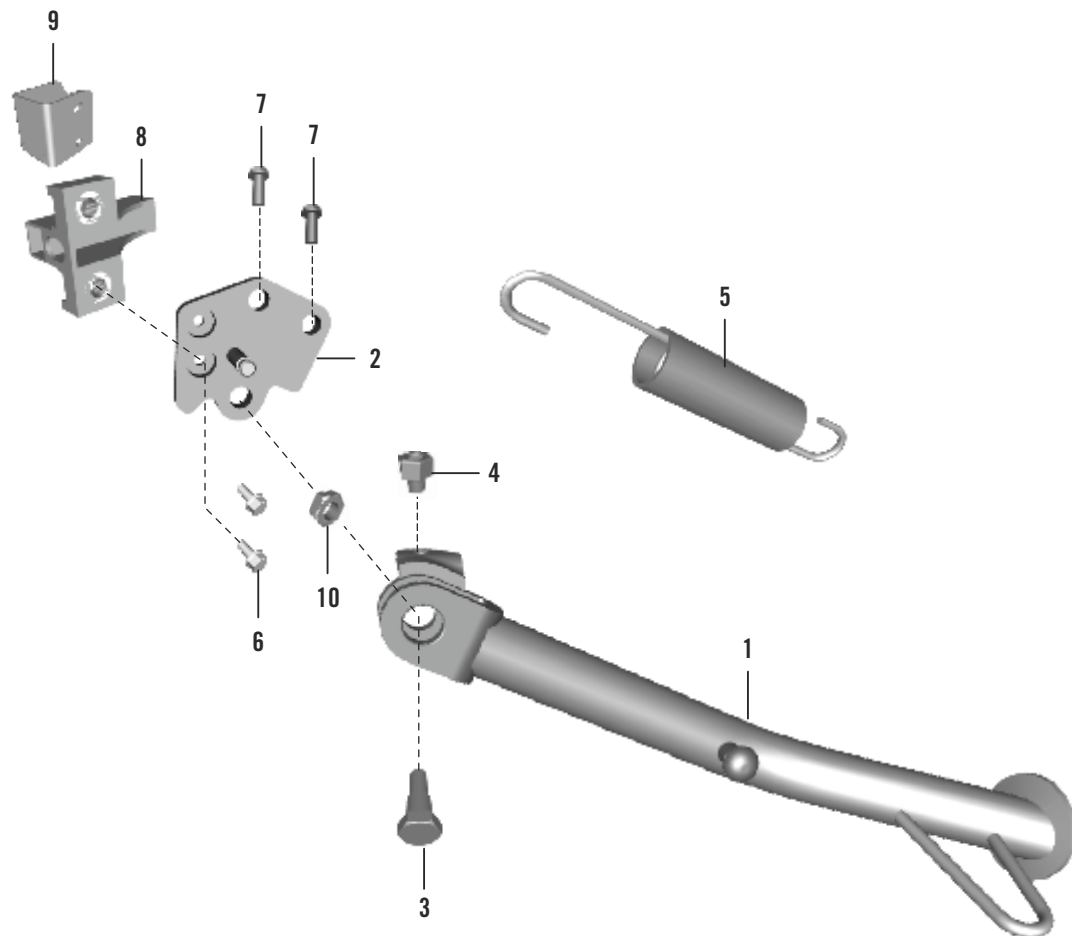
No.	Part No.	Description	Qty	
			250 MY17	390 MY17
1	52JP0112	Frame Assy Front (Black)	1	--
1A	52JP0185	Frame Assy Front (Ele. Orange)	--	1
2	52JP0113	Frame Assy Rear (Ele. Orange)	1	--
2A	52JP0203	Frame Assy Rear (White)	--	1
3	LAC00093	Bolt Socket-M8X1.25X125XBlxPrecot (2.5~2.7 Kg.m)	4	4
4	LDA00034	Washer Plain-Id8.2Xod 14Xt 2XBlk	4	4
5	JY191008	Damper Seat	2	2
6	JY113837	Grommet For Cable	1	1
7	KDBA0613	Washer_Plain	1	1
8	KACA0612	Bolt Master KAC (0.8~1.0 Kg.m)	1	1
9	JP113402	Engine Hanger LH Kt21/Kt22	1	1
10	JP113403	Engine Hanger RH Kt21/Kt22	1	1
11	JP113006	Step Holder Pillion LH	1	1
12	JP113007	Step Holder Pillion RH	1	1
13	JG113041	Assembly Pillion Footpeg LH	1	1
14	JG113042	Assembly Pillion Footpeg RH	1	1
15	JP113019	Pin Footrest Pivot Black	2	2
16	JP113017	Plate Lock Pillion Step Top	2	2
17	JP113018	Plate Lock Pillion Step Bottom	2	2
18	30141031	Ring O	4	4
19	KDBE0818	Washer_Plain	4	4
20	LHA00002	Pin -Split	4	4
21	JP113012	Heel Guard Rear LH	2	2
22	JP113013	Heel Guard Rear RH	2	2
23	LBU00050	Screw Button Head-M6X1X19XPrecoat (0.6 Kg.m)	4	4
24	JP113810	Bracket Silencer Mounting	1	1
25	KADA0610	Bolt for Silencer Mtg (0.8~1.0 Kg.m)	2	2
26	DJ101305	Bolt Flange	2	2
27	LAC00023	Bolt Socket (2.2 Kg.m)	4	4
28	JP113004	Step Holder Rider LH	1	1
29	JP113005	Step Holder Rider RH	1	1
30	JP113015	Pin Dowel	2	2



No.	Part No.	Description	Qty	
			250 MY17	390 MY17
31	JG113039	Main Step LH	1	1
32	JG113040	Main Step RH	1	1
33	JG113007	Spring Torsion	2	2
34	JG113800	Chain Guide	1	1
35	JP113811	Bracket Rear Hose Guide I	1	1
36	KAEM0610	Bolt Flanged	1	1
37	LBU00049	Screw Button Hd-M6X1X125Xstepped	1	1
38	JG113800	Dumble Spacers For Step Holder	2	2
39	JG113813	Bracket Side Stand Switch Cable	1	1
40	LAE00015	Bolt Flanged M6X14	1	2
41	JG113802	Spacer - Chain Tensioner Mtg	2	2
42	KADM0612	Bolt for Chassis Earthing	2	2
43	JP113014	Bracket Bridge Pillion Step	1	1
44	LAC00115	M6 Bolt (0.8~1.0 Kg.m)	2	2
45	JG113832	Sleeve	2	2
46	JP113836	Pad Resting ECU	1	1
47	LDB00019	Washer Plain	2	2
48	JG113052	Bolt	2	2
49	KCAJ0605	Nut Hex	1	1
50	KADM0620	Bolt Flanged (0.8~1.0 Kg.m)	2	2
51	JG113404	Clip Nut	2	2
52	JG113837	Bolt Silencer Mtg	2	2
53	JP113802	Bracket Purge Valve	1	1
54	LDB00065	Washer Plain-ld8.5Xod 18Xthk 1.6	4	4
55	LAC00113	Bolt Socket-M8X1.25X125Xcl10.9XB1	4	4
56	JG113403	Bolt Flange M10X110	1	1
57	LAC00061	Bolt Socket-M10X1.25Xl 135XBright	1	1
58	KDAA1018	Washer_Plain_Small	1	1
59	LAD00038	Bolt Flange-M10X1.25XL267XBright	1	1
60	LAD00039	Bolt Flanged-M10X1.25PX92L	2	2
61	KCGJ1010	Nut-Hex-Flanged	2	2
62	JP113837	Nut Socket-M10X1.25Xht. 24XBrt	1	--
63	DU151031	Nut-U-M10X1.25XA/F 17	--	1
64	LAD00075	Bolt Flanged-M8X1.25Xl 105XBrt	1	1

SIDE STAND

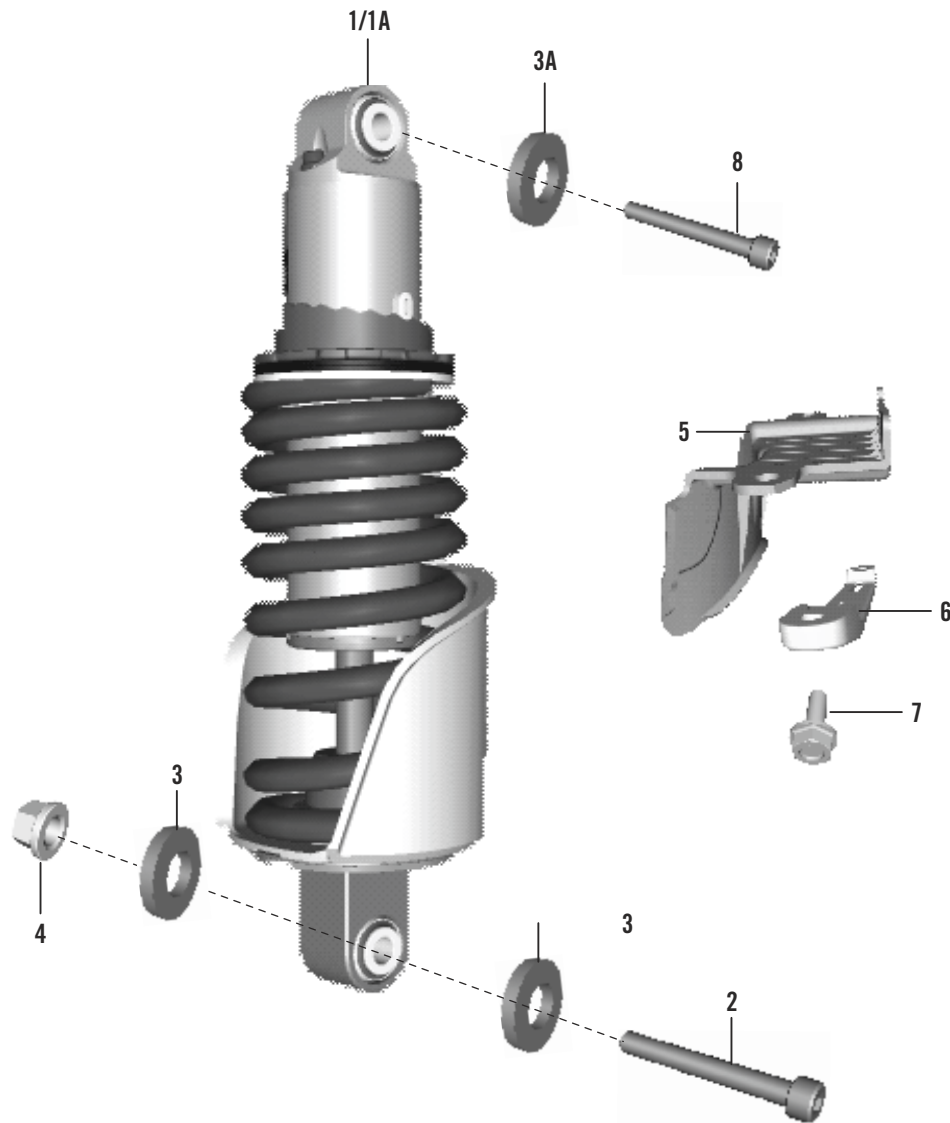
DUKE 250/390



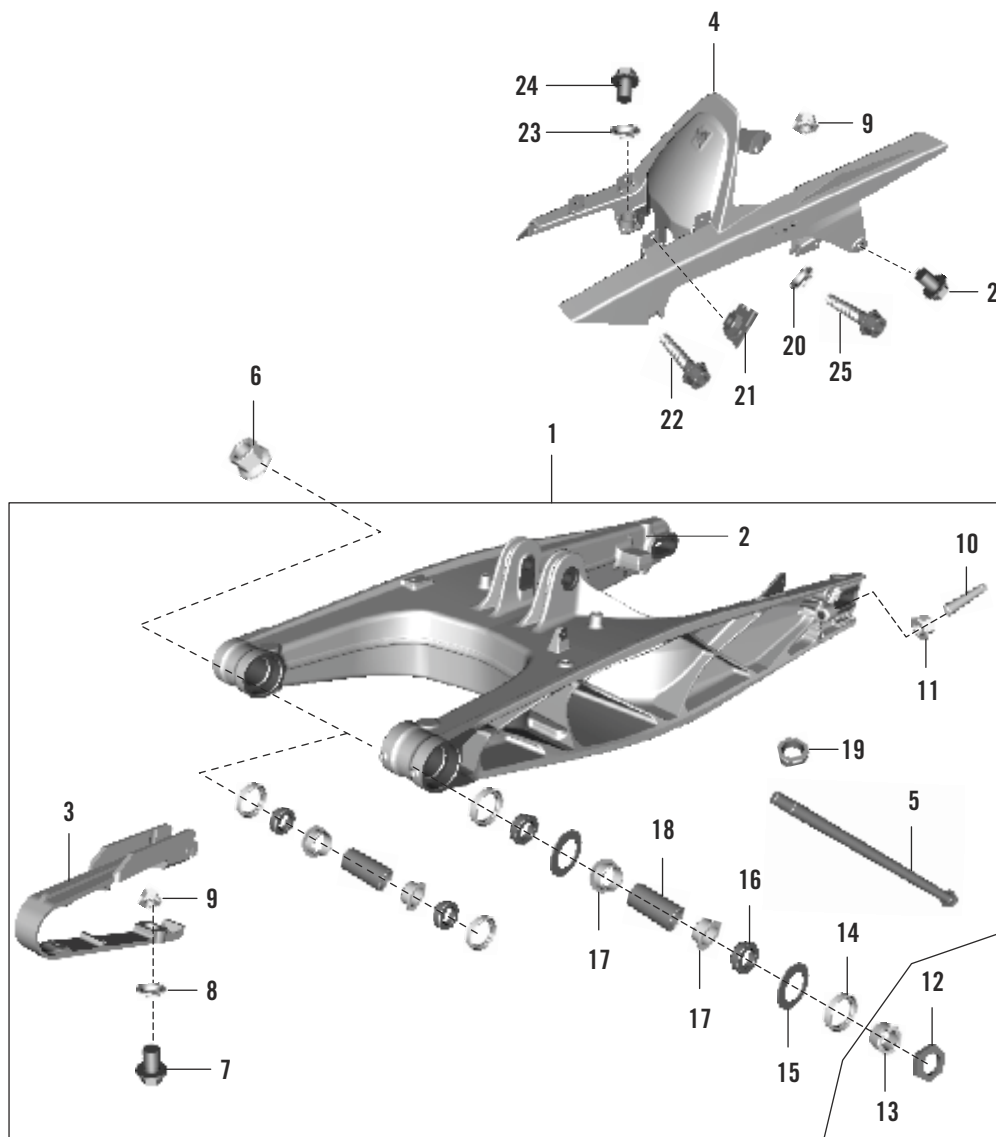
No.	Part No.	Description	Qty		
			250 MY17	390 MY17	
1	JG113203	Side Stand	1	1	
2	JP113201	Plate Side Stand	1	1	
3	JG113207	Bolt Side Stand	1	1	
4	JG401411	Magnet Holder	1	1	
5	JU113200	Spring for Side Stand with Cover	1	1	
6	LAE00010	Bolt Flange M5X13 SW8	2	2	
7	LAD00133	Bolt Flange M10X1X25 SS (3.5 ~ 3.8 Kg.m)	2	2	
8	JY401408	Side Stand Switch	1	1	Can Bus
9	JG113210	Guard Side Stand Switch	1	1	
10	LCH00001	Nut Nyloc M10 for Side Stand Bolt	1	1	

SHOCK ABSORBER

DUKE 250/390



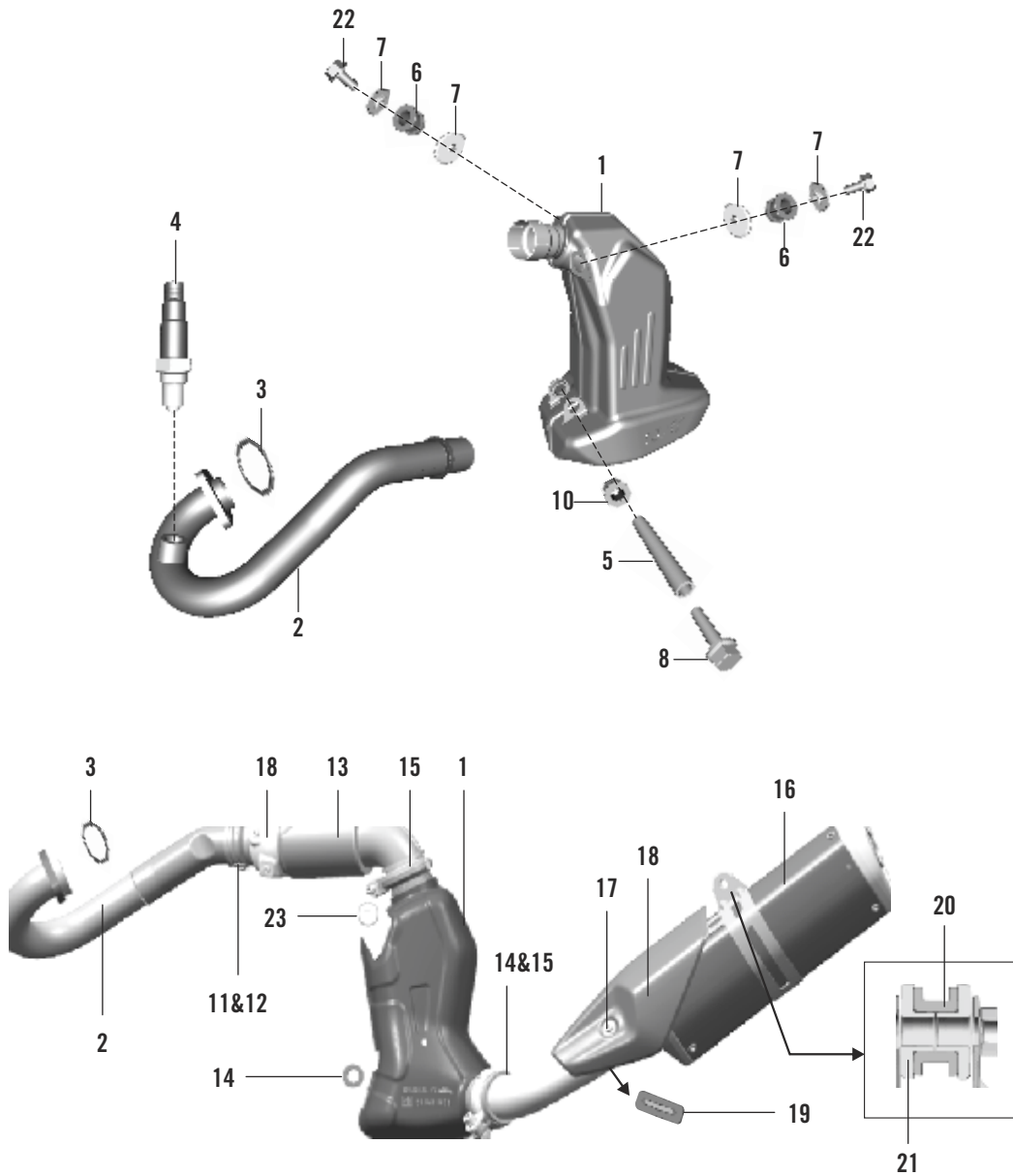
No.	Part No.	Description	Qty	
			250 MY17	390 MY17
1	JP122004	Monoshock Complete	1	--
1A	JP122005	Monoshock Complete	--	1
2	LAC00006	Bolt Socket Head (5.0 ~ 5.2 Kg.m)	1	1
3	LDB00011	Plain Washer	3	2
3A	39020111	Plain Washer	--	1
4	LCG00003	Nut Flanged	1	1
5	JP181404	Flap Shocker cover	1	1
6	JP113014	Bracket Bridge Pillion Step	1	1
7	LAC00114	Bolt Socket M6	2	2
8	LAC00085	Bolt Socket M10x62L Precoat (5.0 ~ 5.2 Kg.m)	1	1



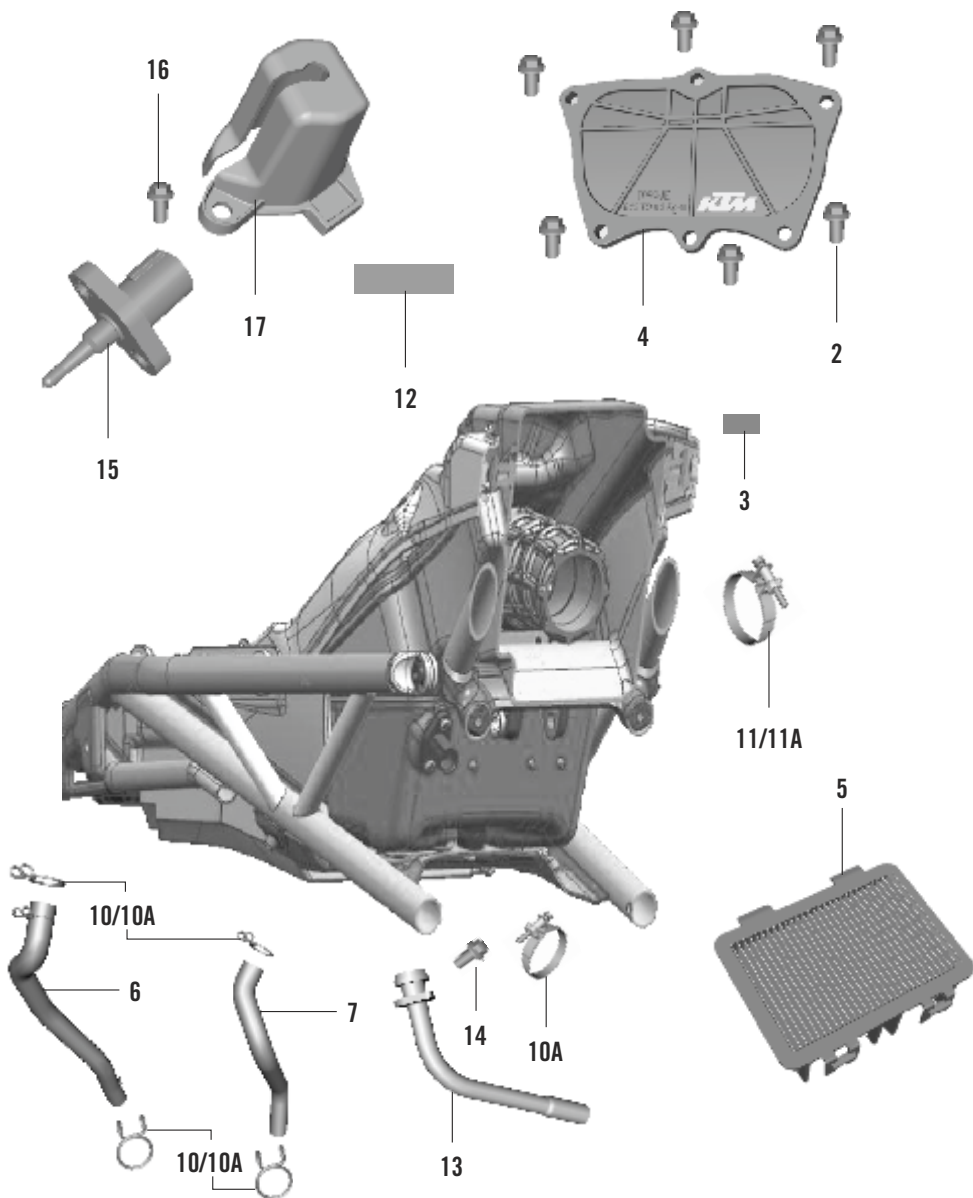
No.	Part No.	Description	Qty	
			250 MY17	390 MY17
1	JG122044	Swing Arm Cpl.	1	1
2	LBR00007	Screw Tapping Pan Cros-6XI30XBik	1	1
3	JG122039	Chain Slider Guard	1	1
4	JP181228	Chain Cover Assly	1	1
5	JG122016	Swing Arm Bolt L=298mm	1	1
6	LCG00004	Swing Arm Axle Nut M14x1.5 (10.0 Kg.m)	1	1
7	JG181273	Bolt Flange - Chain Case Mtg	1	1
8	JY122004	Sleeve Chain Slider	1	1
9	LCA00008	Nut	1	1
10	LAA00007	Bolt Hex M10x1.25x50 WS10	2	2
11	LCG00003	Nut Flanged M10x1.25 WS13	2	2
12	LDB00055	Hexagonal Washer	2	2
13	JG122033	Adjusting Ring Swing Arm (Threaded Washer)	2	2
14	JG122012	Oil Seal RinG25x32x7	4	4
15	JG122026	Stop Disk22.2x31.7x1	2	2
16	JG122011	Bucket for Shaft Seal Ring (Collar)	4	4
17	JG122009	Igus Slide Bearing	4	4
18	JG122010	Bushing Sleeve 15.1x20x38	2	2
19	JG122037	Sleeve Chain Guide	2	2
20	JG113846	D Washer Chain Slider	1	1
21	JG113404	Clip Nut M6	2	2
22	LAC00054	Bolt for Chain Cover	2	2
23	JP181408	Washer Extruded	2	2
24	LAE00050	Bolt Flanged Small-M6X1X18XBlack	2	2
25	LBU00052	Screw Trus-M5X0.8XI55XBxPrecoat	1	1

EXHAUST SYSTEM

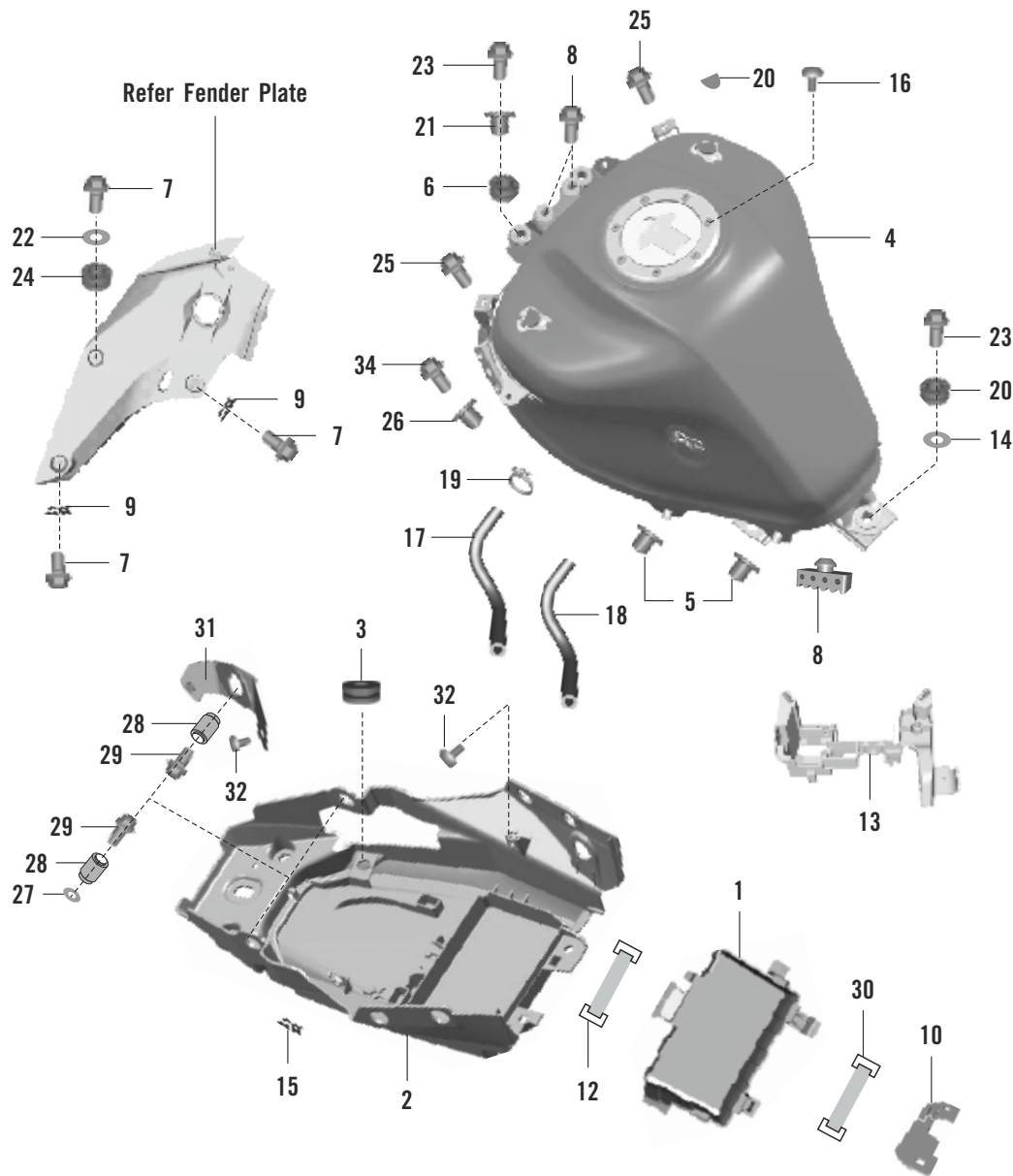
DUKE 250/390



No.	Part No.	Description	Qty	
			250 MY17	390 MY17
1	JY591299	Silencer Sub Assembly	1	1
2	JY591275	Assembly Exhaust Pipe A	1	1
3	JG591070	Manifold Gasket	1	1
4	JG511010	O2 Sensor	1	1
5	JG591055	Mounting Tube	1	1
6	JL591165	Damping Element	2	2
7	JL591156	Collar	4	4
8	LAC00127	Bolt Socket	1	1
9	LAC00089	Bolt Socket	2	2
10	JG591100	Damper Silencer	2	2
11	JY591278	Gasket Pipe B	1	1
12	JY591279	Clamp Dia 54	1	1
13	JY591280	Assembly CAT	1	1
14	JY591286	Gasket Pipe C	2	2
15	JY591287	Clamp Dia 60	2	2
16	JY591009	Silencer Tail End	1	1
17	LBU00045	Bolt Socket	1	1
18	JY591297	Shield Muffler	1	1
19	JY591303	Grommet Shield Muffler	2	2
20	JY591246	Damper Muffler	1	1
21	JY591245	Bush Muffler	2	2
22	KADQ0625	Bolt Silencer Mounting	1	1
23	JL591165	Damper Lower	2	2



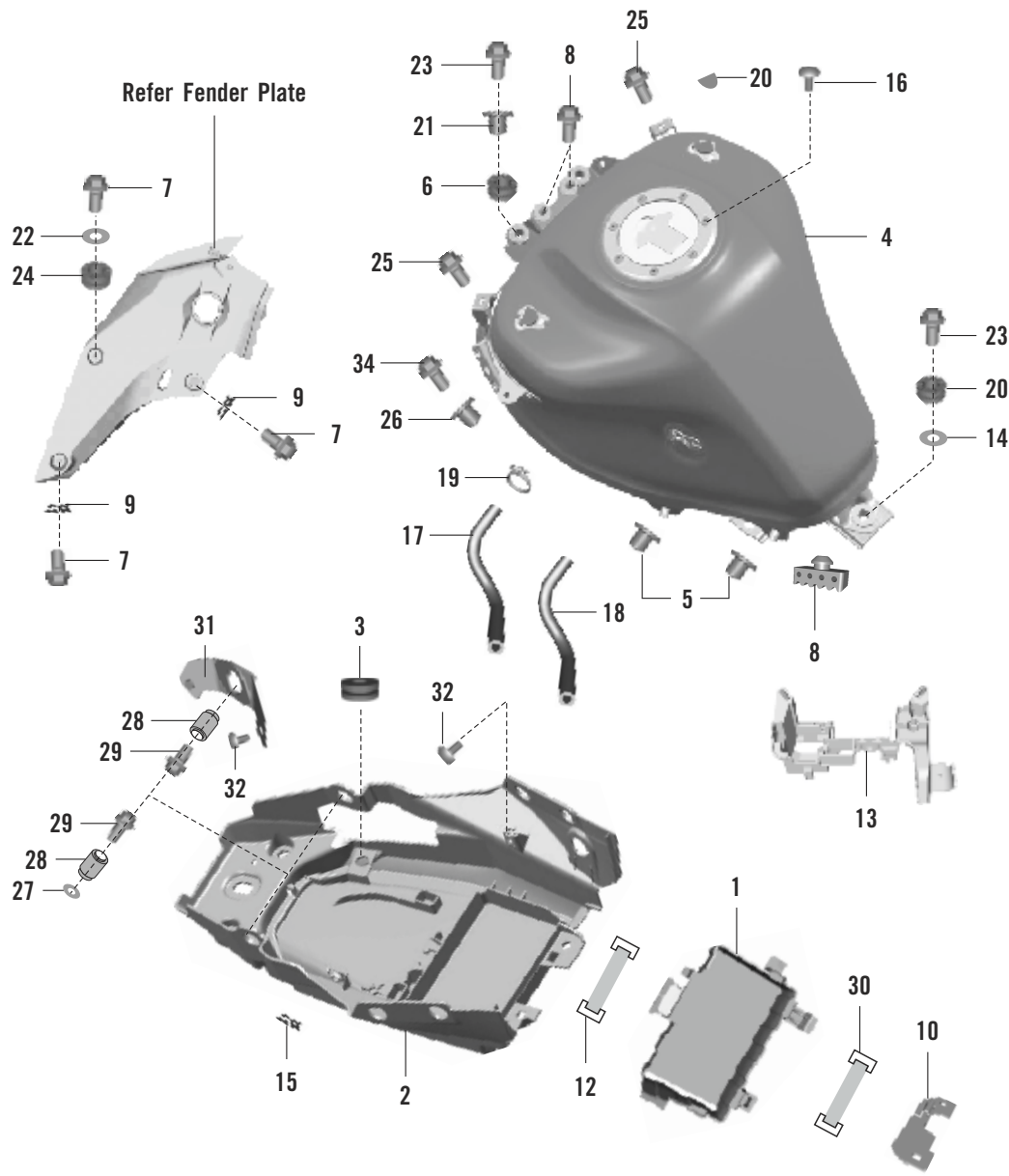
No.	Part No.	Description	Qty	
			250 MY17	390 MY17
1	JP581028	Air Filter Assly Complete	1	----
1A	JP581002	Air Filter Assly Complete	----	1
2	KBUA0616	HH Collar Screw M6x12 SW10	6	6
3	JP581019	Rubber Damper	2	2
4	JP581008	Cap Top Cover	1	1
5	JP581003	Air Filter Viscous	1	1
6	JP581013	Breather Tube	1	1
7	JP581018	Tube Drain	1	1
8	LBU00062	Screw Truss M5X0.8X110XblkxPrecoat	2	2
9	JY181255	Washer End Cap	2	2
10	JG581056	Hose Clamp	4	----
10A	JY581028	Hose Clamp	1	5
11	JU581006	Clamp Intake Pipe	2	----
11A	JY581405	Clamp Intake Pipe	--	2
12	JP581036	Dual Lock 3M - Size 10X15	2	2
13	JP581014	Tube Oil Return	1	1
14	LBB00010	Screw Pan Cross-M5X0.8X110XPrecoat	1	1
15	JP351800	Sensor Air Intake Temp	1	1
16	KBBA0512	Screw Pan Cross	2	2
17	JP581035	Sensor Cover	1	1



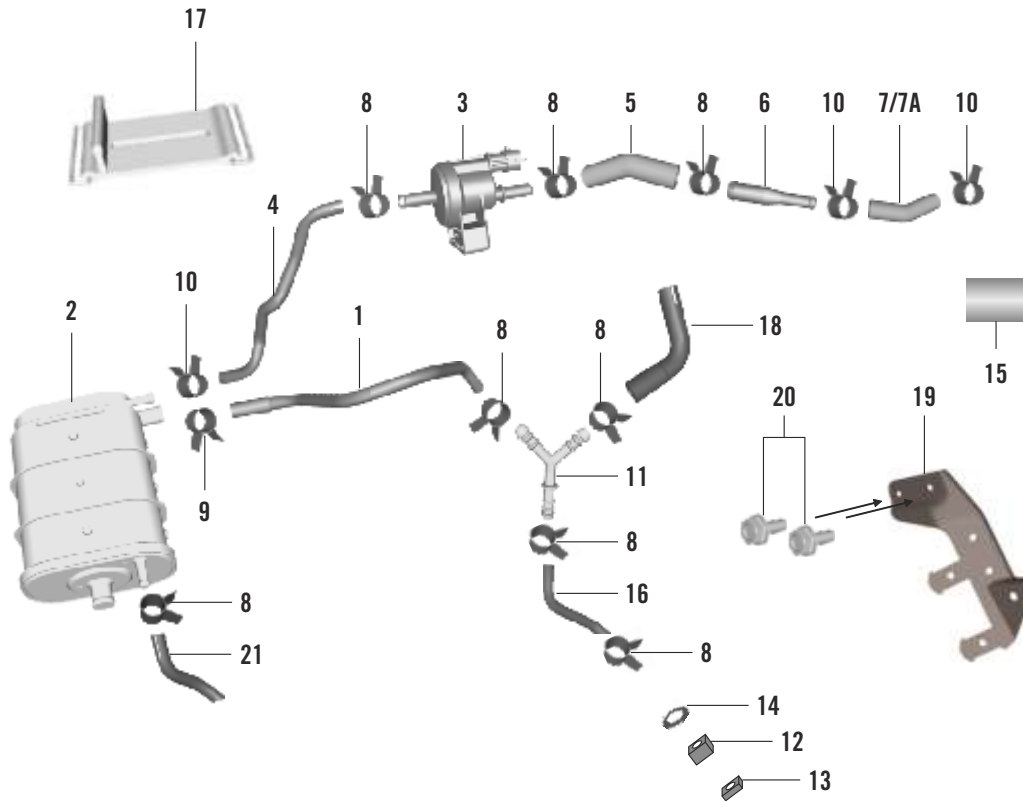
No.	Part No.	Description	Qty	
			250 MY17	390 MY17
1	JP181205	Battery Box	1	1
2	JP181002	Under Tray Front	1	1
3	JP181013	Grommet Under Tray	1	1
4	56JP23X3	Assly Fuel Tank	1	1
5	JP171056	Sleeve Tank Mtg	4	4
6	JL171020	Grommet Tank Mtg	2	2
7	JY113821	Bolt Socket	6	6
8	LBU00050	Screw Button Hd M6x1x19xPrecoat (0.6~0.7 Kg.m)	2	2
9	JG113404	Clip Nut	4	4
10	JP401802	Bracket Battery Band I	1	1
11	LAE00022	Bolt Flanged M6X10 Precoated (0.6~0.7 Kg.m)	4	4
12	JP401800	Band Battery I	1	1
13	JP181001	Panel Electric Mtg	1	1
14	LDB00021	Washer Plain	1	1
15	JG171031	Clip Nut	2	2
16	LAC00039	Bolt Socket Head M5x15L	7	7
17	JG171025	Tube Drain	1	1
18	JP171026	Tube Tank To Y Connector EVAP	1	1
19	JY171090	Clamp Drain Pipe	2	2
20	JP171027	Grommet Tank Mtg	1	1
21	JP171057	Sleeve Tank Mtg Front	2	2
22	LDA00018	Washer 6.2X20X1.5	4	4
23	KADD0825	Bolt Flanged (1.5~1.8 Kg.m)	3	3
24	JP181227	Grommet Spoiler Mtg	2	2
25	LAA00023	Bolt -M6X1Xl 8.5Xblackxstepped	2	2
26	JP181278	Sleeve Spoiler Inner Rr Mtg	2	2
27	39020811	Plain Washer	1	1
28	JP191012	Assly Bush Damper	2	2
29	KACF0830	Bolt Socket M8x1.25x230xCL8.8xBrt (1.2~1.5 Kg.m)	2	2
30	JP401801	Battery Band II	1	1

TANK, COVER

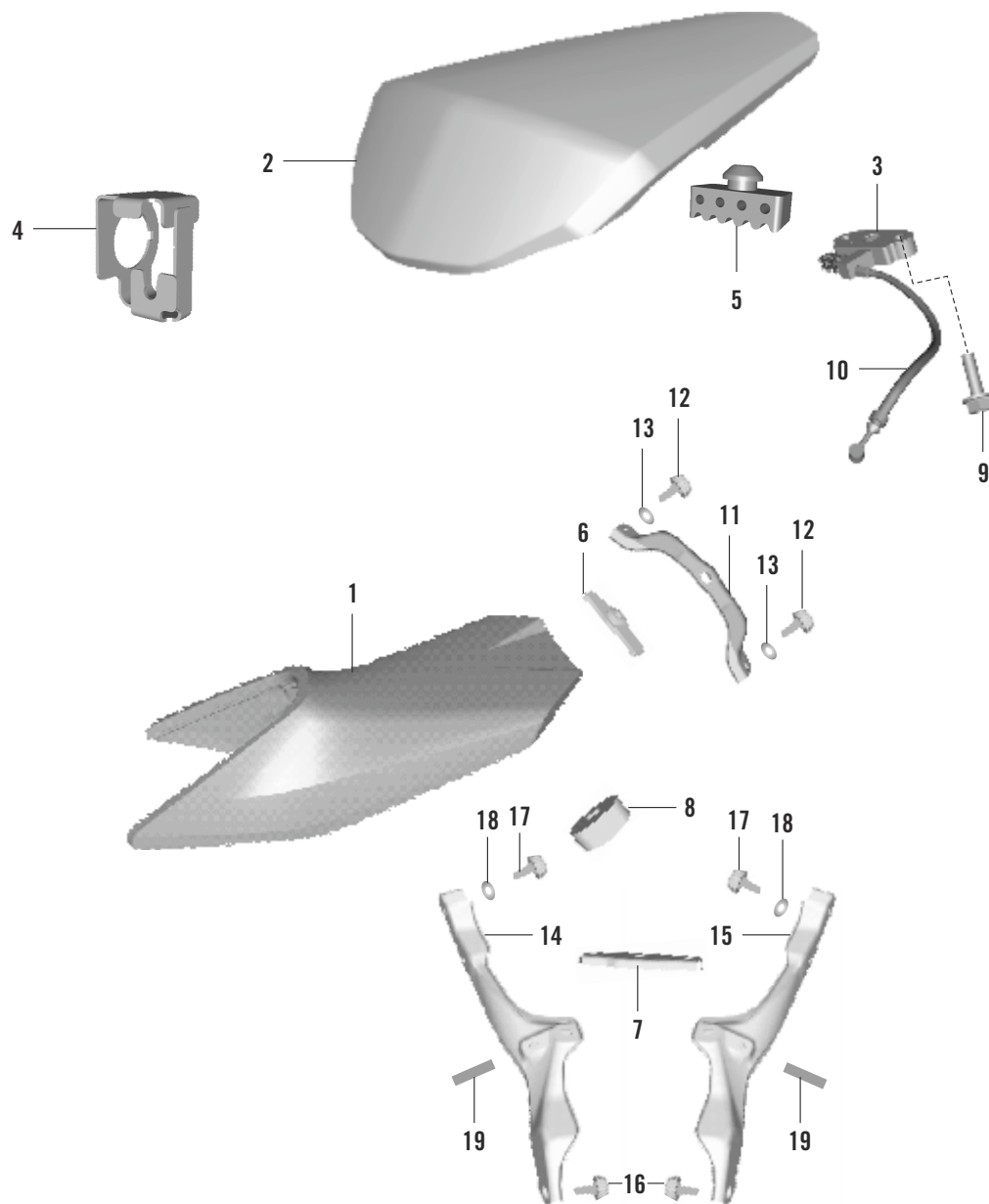
DUKE 250/390



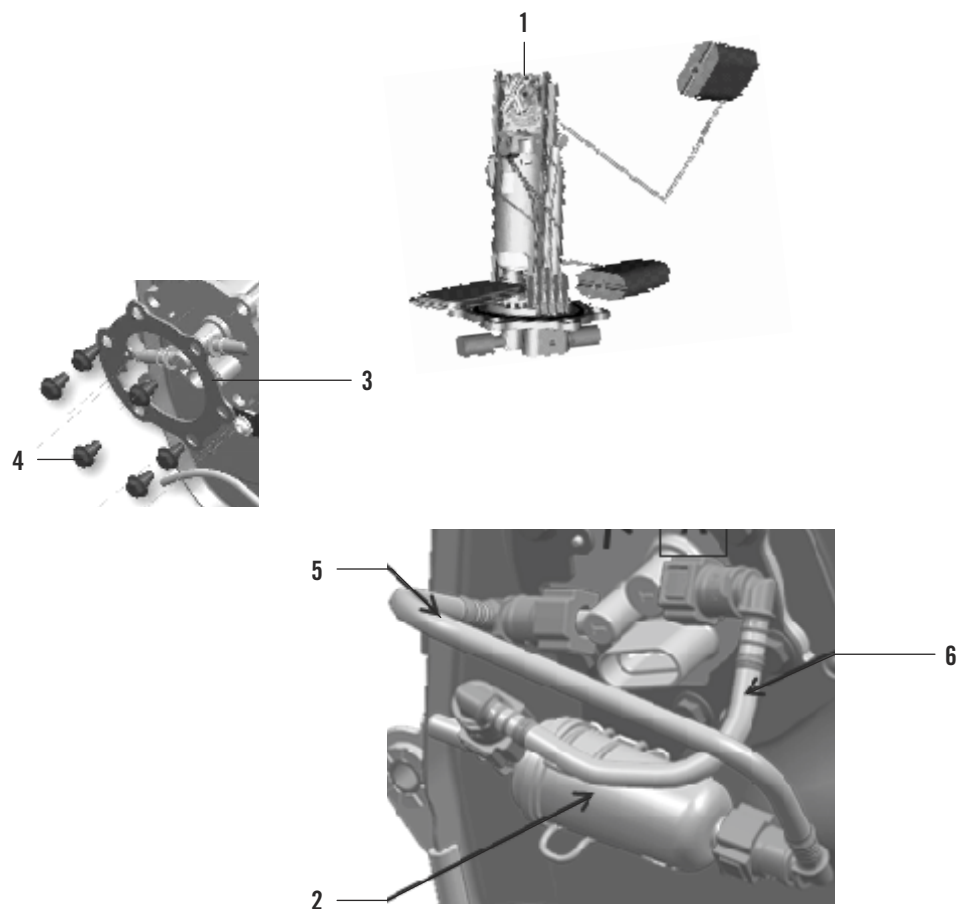
No.	Part No.	Description	Qty		
			250 MY17	390 MY17	
31	JP581020	Bracket Duct Dirty Side	1	1	For Bkt Dirty
32	KBUB0516	Screw Truss	2	2	
33	JG171031	Clip Nut	2	2	
34	LAC00054	Bolt Socket M6x1xL16xBlkxFl Hd (0.6~0.8 Kg.m)	2	2	



No.	Part No.	Description	Qty	
			250 MY17	390 MY17
1	JP171038	Tube "Y" Connector to Canister	1	1
2	JY171077	Canister	1	1
3	JG171601	Valve Purge	1	1
4	JP171039	Tube Canister To Purge Valve	1	1
5	JP171040	Tube Purge Valve To Connector	1	1
6	JG171086	Connector Tube EVAP	1	1
7	JP171060	Tube Connector To ETB	--	1
7A	JP171604	Tube Connector To MTB	1	--
8	JY171090	Spring Band Clamp 13X12	8	8
9	JY171069	Spring Band Clamp 15X10	1	1
10	JY171070	Spring Band Clamp 9 X8.4	3	3
11	JY113842	Connector Y Shape	1	1
12	JP171807	Plug EVAP Drain	1	1
13	JP171808	Cap Plug EVAP Drain	1	1
14	JP171809	Gasket O Ring Plug EVAP Drain	1	1
15	JZ181000	Dual Tape	1	1
16	JY171824	Tube Connector To Plug	1	1
17	JZ171055	Strap Canister	2	2
18	JP171026	Tube Tank to 'Y' Connector	1	1
19	JP171044	Bracket Canister Mtg Lower	1	1
20	KADM0610	Bolt Flanged	4	4
21	JP171062	Tube Canister Drain	1	1



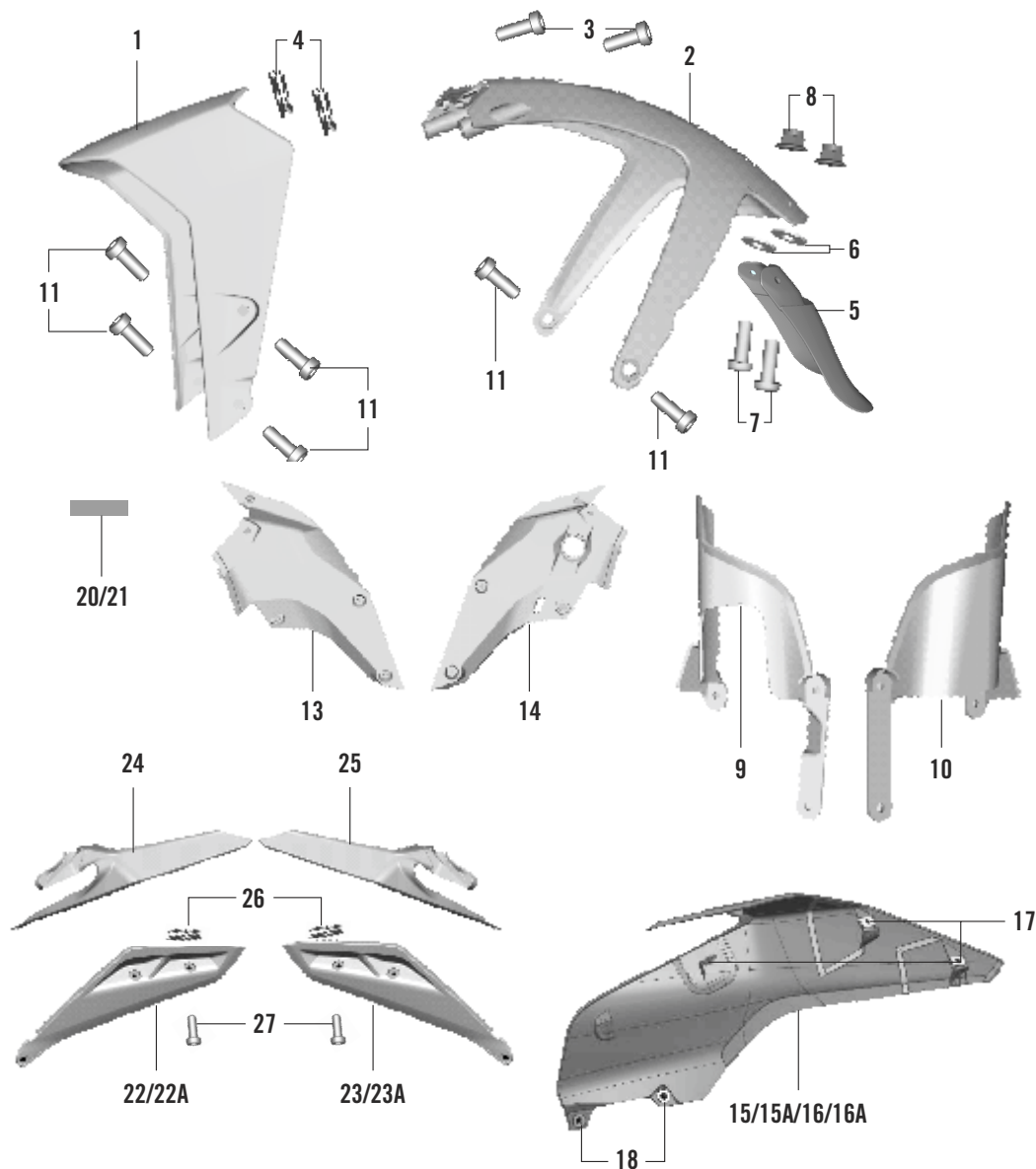
No.	Part No.	Description	Qty	
			250 MY17	390 MY17
1	JP191000	Seat Assly Front	1	1
2	JP191001	Seat Assly Rear	1	1
3	JP232601	Seat Lock	1	1
4	JP232600	Bracket Seat Lock	1	1
5	JP191007	Seat Damper Rear	6	6
6	JP191010	Grommet Rider Seat	1	1
7	JP111069	Bracket Bridge Loose	1	1
8	JP111070	Damper Rubber M8	2	2
9	KADM0620	Bolt Flange	2	2
10	JP232602	Seat Lock Cable	1	1
11	JP113801	Bracket Seat Mounting Loose	1	1
12	JP113814	Damper with Stud	2	2
13	KDBA0818	Washer Plain	2	2
14	JP111067	Spider LH	1	1
15	JP111068	Spider RH	1	1
16	LAD00145	Bolt Special M8x1.25xL26xBrtxStep (1.8 Kg.m)	2	2
17	LAC00100	Bolt Socket M8x1.25xL31xBlk	4	4
18	39122411	Washer Plain	4	4
19	JY191008	Seat Damper	2	2



No.	Part No.	Description	Qty	
			250 MY17	390 MY17
1	JP171800	Fuel Pump 3.5 Bar (BOSCH)	1	1
2	DT171814	Inline Fuel Filter (Quick Connector)	1	1
3	JP171031	Plate Pressure Fuel Pump	1	1
4	LAD00154	Bolt Flange-M6X1XL 12.8XBRTXSTEP	6	6
5	JP171008	Assembly QC And Hose Pump To Fuel Filter MY17	1	1
6	JP171005	Assly QC And Hose Fuel Filter To Regulator MY17	1	1

FENDERS & SIDE FAIRING

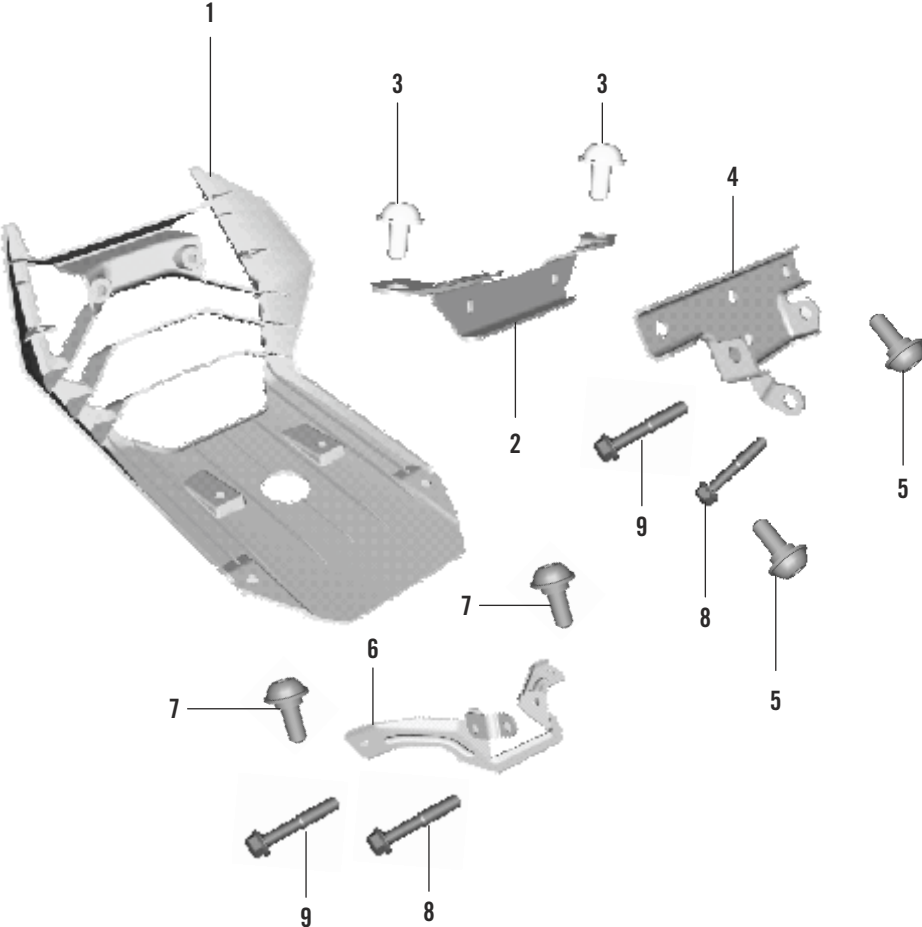
DUKE 250/390



No.	Part No.	Description	Qty		
			250 MY17	390 MY17	
1	56JP055S	Fender Front (White)	1	1	White Veh.
1A	56JP05X3	Fender Front (Ele. Black)	1	1	Ele. Orange Veh.
2	JY181408	Front Fender Rear Domestic	1	1	
3	KACE0616	Hexagon Socket Head Bolt	2	2	
4	JG113404	Clip Nut	2	2	
5	JP181402	Flap Fender Front	1	1	
6	KDBF0512	Washer Plain-Id5.5Xod12Xt0.8Xblk	3	3	
7	KBBJ0514	Screw Pan Cross-M5X0.8Xl14Xblk	3	3	
8	KCKE0507	Nut Nyloc FI-M5X0.8Xht. 7.1Xblk	3	3	
9	JG181280	Fork Protector LH	1	1	
10	JG181282	Fork Protector RH	1	1	
11	LBU00059	Screw Button Hd-M6X1Xl13Xstepped	6	6	
12	JZ171021	Washer Vapour Sealing	6	6	
13	JP181219	Tank Spoiler Inner LH	1	1	
14	JP181218	Tank Spoiler Inner RH	1	1	
15	52JP0093	Tank Cover LH with Decal	1	--	Ele Orange
15A	52JP0095	Tank Cover LH with Decal	--	1	Ele Orange
15B	52JP0077	Tank Cover LH with Decal	1	--	White
15C	52JP0079	Tank Cover LH with Decal	--	1	White
16	52JP0101	Tank Cover RH Ele Orange	1	--	Ele Orange
16A	52JP0103	Tank Cover RH	--	1	Ele Orange
16B	52JP0085	Tank Cover RH + Decal White	1	--	White
16C	52JP0087	Tank Cover RH + Decal White	1	--	White
17	DJ181065	Clip Nut M6	6	6	
18	JP181227	Grommet Spoiler Mtg	4	4	
19	JP181296	Grommet Spoiler Tank	2	2	
20	JP181015	Tape Cover Tank LH	1	1	
21	JP181016	Tape Cover Tank RH	1	1	
22	52JP0065	Seat Cowl Lower LH	1	--	
22A	52JP0069	Seat Cowl Lower LH	--	1	
23	52JP0067	Seat Cowl Lower RH	1	--	
23A	52JP0071	Seat Cowl Lower RH	--	1	
24	56JP115S	Seat Cowl Upper LH White	1	1	
25	56JP105S	Seat Cowl Upper RH White	1	1	
26	JG171031	Clip Nut M5	4	4	
27	KBUA0512	Screw Truss	4	4	

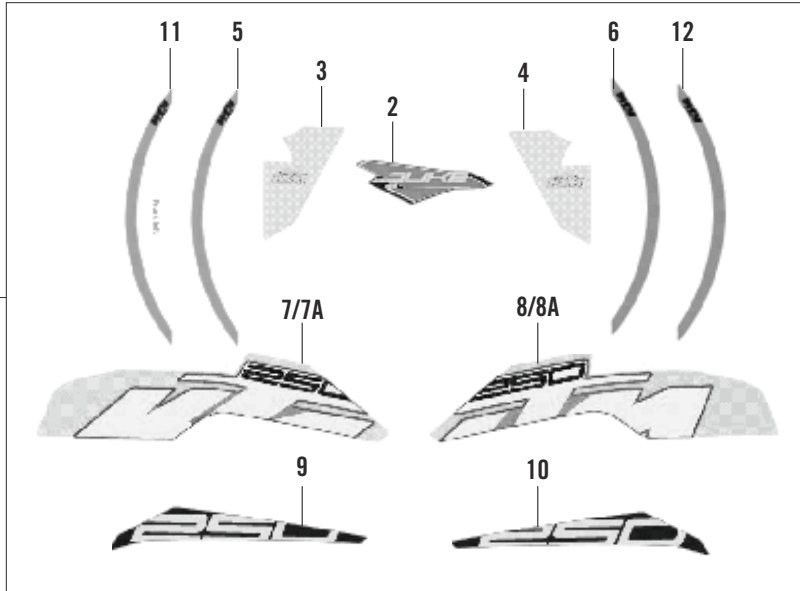
BELLY PAN

DUKE 250/390

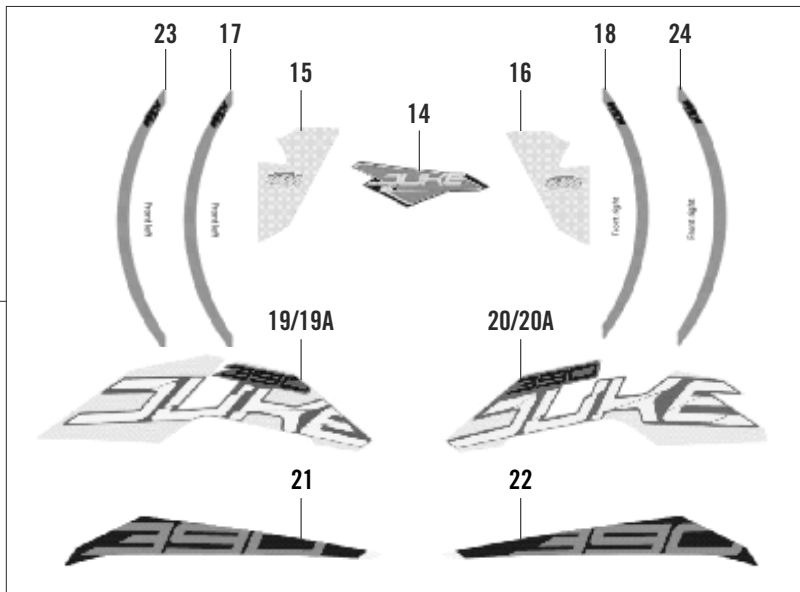


No.	Part No.	Description	Qty	
			250 MY17	390 MY17
1	JP181201	Belly Pan	1	1
2	JP181209	Bracket Belly Pan Front	1	1
3	JY113821	Bush Belly Pan Mtg	2	2
4	JP181210	Bracket Belly Pan Fr-Rr	1	1
5	LBU00048	Screw Button HD M6xL13	2	2
6	JP181287	Bracket Belly Pan Rear	1	1
7	LBU00050	Screw Button HD M6xL9xPC	2	2
8	KAED0635	Bolt Flanged Small	2	2
9	KAED0614	Bolt Flanged Small	4	4

1/1A



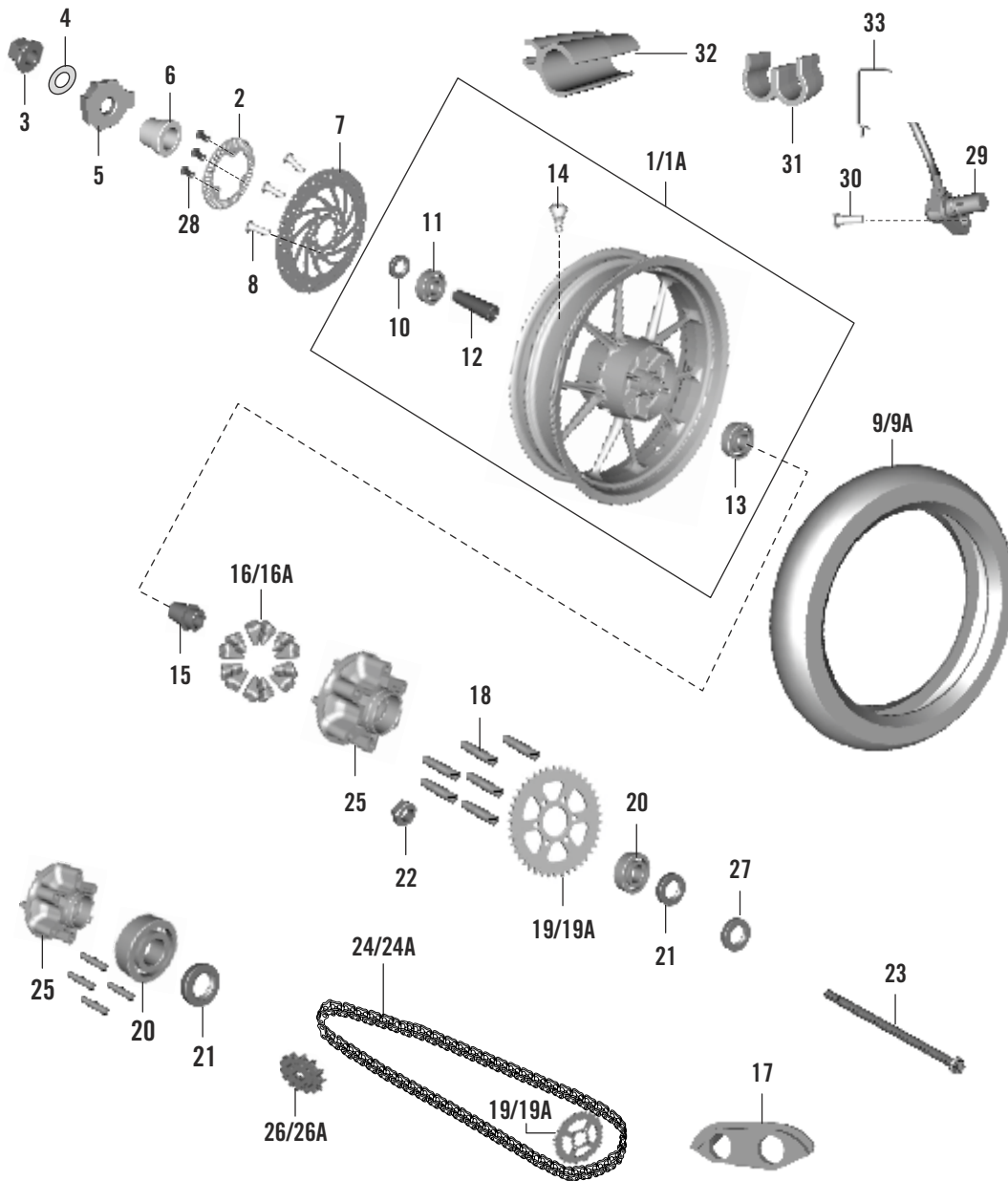
13/13A



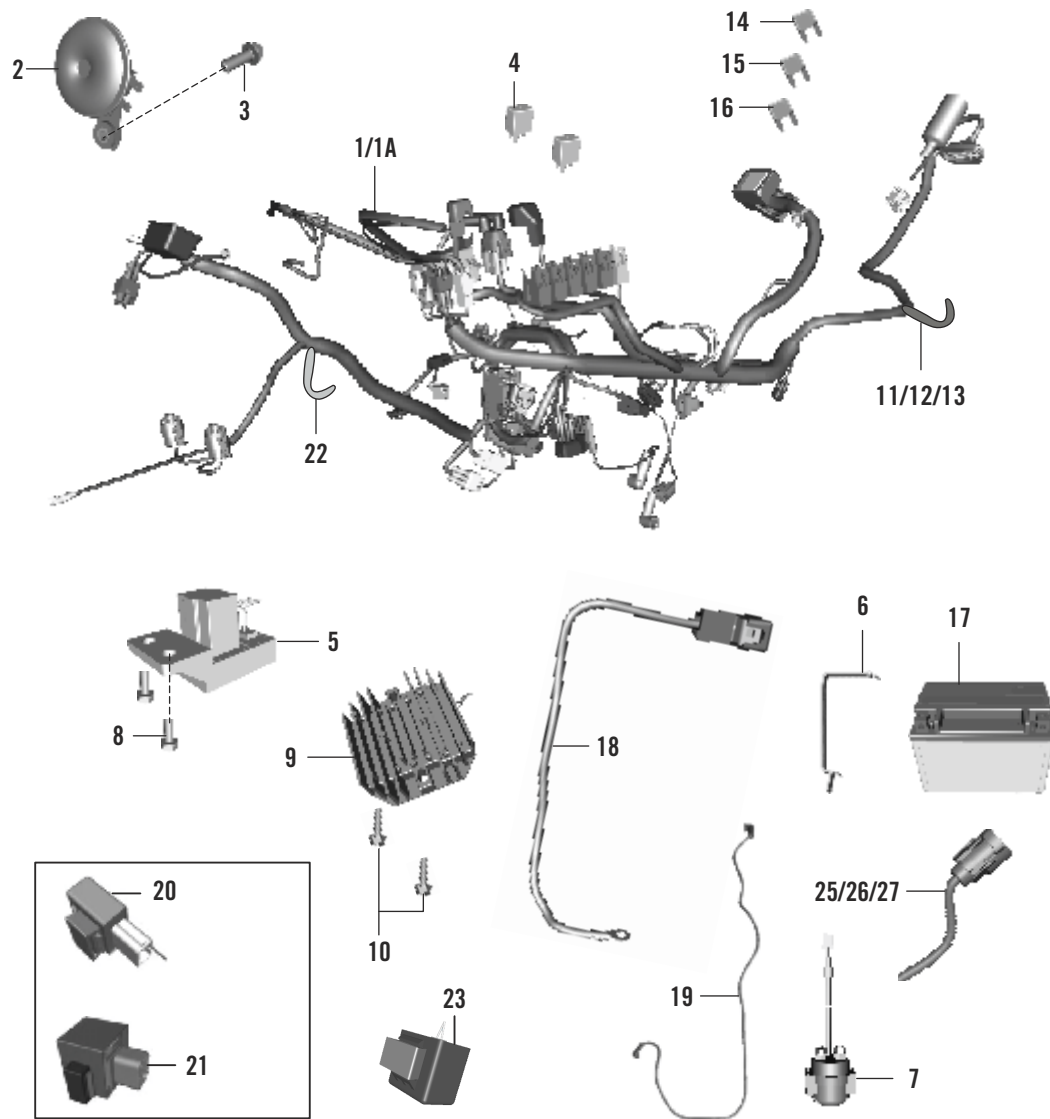
No.	Part No.	Description	Qty		
			250 MY17	390 MY17	
1	JP233007	Decal Kit	1		Ele. Orange
1A	JP233010	Decal Kit	1		White
2	JP233010	Decal Tank Center	1		El. Orange/White
3	JP233011	Decal Radiator Cover LH	1		El. Orange/White
4	JP233012	Decal Radiator Cover RH	1		El. Orange/White
5	JP233013	Decal Wheel Rim Front LH	1		El. Orange/White
6	JP233014	Decal Wheel Rim Front RH	1		El. Orange/White
7	JP233027	Decal Tank Spoiler LH Orange	1		Ele. Orange
7A	JP233025	Decal Tank Spoiler LH White	1		White
8	JP233028	Decal Tank Spoiler RH Orange	1		Ele. Orange
8A	JP233024	Decal Tank Spoiler RH White	1		White
9	JP233041	Decal Seat Cowl LH	1		El. Orange/White
10	JP233042	Decal Seat Cowl RH	1		El. Orange/White
11	JP233035	Decal Wheel Rim Rear LH	1		El. Orange/White
12	JP233036	Decal Wheel Rim Rear RH	1		El. Orange/White
13	JP233008	Decal Kit		1	Ele Orange
13A	JP233009	Decal Kit		1	White
14	JP233010	Decal Tank Center		1	
15	JP233011	Decal Radiator Cover LH		1	
16	JP233012	Decal Radiator Cover RH		1	
17	JP233015	Decal Wheel Rim Front LH		1	
18	JP233016	Decal Wheel Rim Front RH		1	
19	JP233031	Decal Tank Spoiler LH		1	Ele Orange
19A	JP233029	Decal Tank Spoiler LH		1	White
20	JP233032	Decal Tank Spoiler RH		1	Ele Orange
20A	JP233030	Decal Tank Spoiler RH		1	White
21	JP233043	Decal Seat Cowl LH		1	
22	JP233044	Decal Seat Cowl RH		1	
23	JP233039	Decal Wheel Rim Rear LH		1	
24	JP233040	Decal Wheel Rim Rear RH		1	

REAR WHEEL

DUKE 250/390



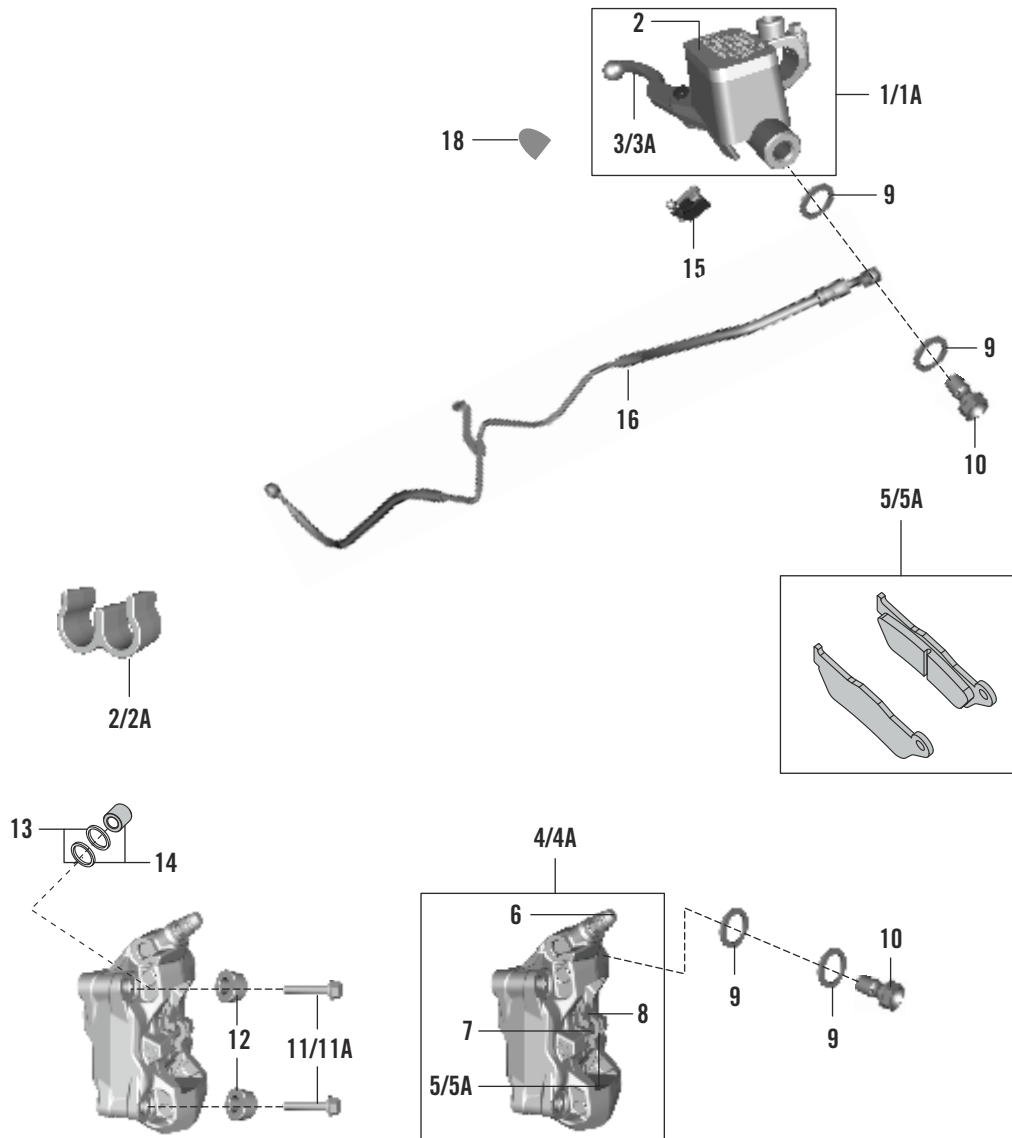
No.	Part No.	Description	Qty		
			250 MY17	390 MY17	
1	36JP0023	Kit Rear Wheel Black	1	----	
1A	36JY0206	Kit Rear Wheel Electric Orange	--	1	
2	JU131802	Sensor Disc Rear	--	1	
3	DH171019	Collar Nut Wheel Spindle Rear	1	1	
4	LDB00034	Washer 15,2x30x2mm	2	2	
5	JG122007	Chain Adjuster RH	2	2	
6	JG131211	Spacer Bushing Rear Wheel	1	1	
7	JG131809	Wave Brake Disc Rear	1	1	
8	JD131811	Spl Screw M8x25 Self Lock.	6	6	
9	JG131245	Tyre Rear	1	--	N.S.
9A	JG131221	Tyre Rear (150/60-R17)	--	1	N.S.
10	30151082	Oil Seal 26x42x8	1	1	
11	KPBC6302	Ball Bearing 6302	1	1	
12	JG131205	Bearing Spacer Tube Rear	1	1	
13	KPBC6202	Ball Bearing 6202	2	2	
14	DK151026	Valve Cpl.	1	1	
15	DT131210	Sleeve	1	1	
16	JU131222	Damping Rubber	6	----	
16A	JY131201	Damping Rubber	--	6	
17	JG122015	Chain Guide	1	1	
18	JG131228	Bolt D-M8x1.25xL48xBlack	6	6	
19	JG141002	Sprocket 46T	1	----	
19A	JG131236	Sprocket 45T	--	1	
20	KPAC6205	Ball Bearing 6005 RS	1	1	
21	DT131214	Oil Seal 30x47x8	1	1	
22	LCL00004	Nut U Flange	6	6	
23	JG131224	Axle Rear Cpl.	1	1	
24	JG141001	Drive Chain	1	1	
25	DT131213	Coupling (6 Lug)	1	1	
26	JY551240	Sprocket Output	1	----	
26A	JY551029	Sprocket Output (15T)	--	1	
27	JG131209	Spacer	1	1	
28	JG131220	Screw for ABS	--	3	
29	DT402404	Sensor Speed For ABS	--	1	
30	LAD00093	Bolt M6	--	2	
31	JG403603	Clamp Sensor Cable Holding	--	3	
32	JG113858	Clamp Brake Hose RR	--	2	
33	JD402215	Band	--	2	N.S.



No.	Part No.	Description	Qty	
			250 MY17	390 MY17
1	JP402201	Wiring Harness	1	--
1A	JP402200	Wiring Harness	--	1
2	JP401600	DC Horn	1	1
3	KADM0820	Bolt M8x1.25xL12 for DC Horn	1	1
4	JL403000	Interlock Relay	5	4
5	JY403604	Roll Over Sensor	1	1
6	JP401801	Battery Band	1	1
7	JP403000	Starter Relay	1	1
8	KAEM0616	Bolt Flange for Roll Over	2	2
9	JP402000	Regulator 3 Phase	1	1
10	KADM0625	HH Collar Screw	2	2
11	JD402212	Band (200 mm)	13	13
12	JD402217	Band (150 mm)	4	4
13	PA402204	Band (110 mm)	3	3
14	JG402228	Fuse 10A	8	8
15	JG402229	Fuse 15A	3	3
16	JG402230	Fuse 30A	2	2
17	JG401802	Battery 12V 8AH VRLA	1	1
18	JP402202	Cable Earth	1	1
19	JP402203	Cable Relay to Motor	1	1
20	JG402002	DC Flasher	1	1
21	JL403200	Termination Unit	1	1
22	JG402245	Cable Tie Orange 200 mm L	9	9
23	JY401410	Resistor Unit	1	1
24	KAEM0620	Bolt Master KAE	2	2
25	JP402217	Pigtail Intake Air Temp Sensor	2	2
26	JP402218	Pigtail Oil Pressure Switch	1	1
27	JY402246	Pigtail Coolant Temp Sensor	1	1

BRAKE SYSTEM - FRONT

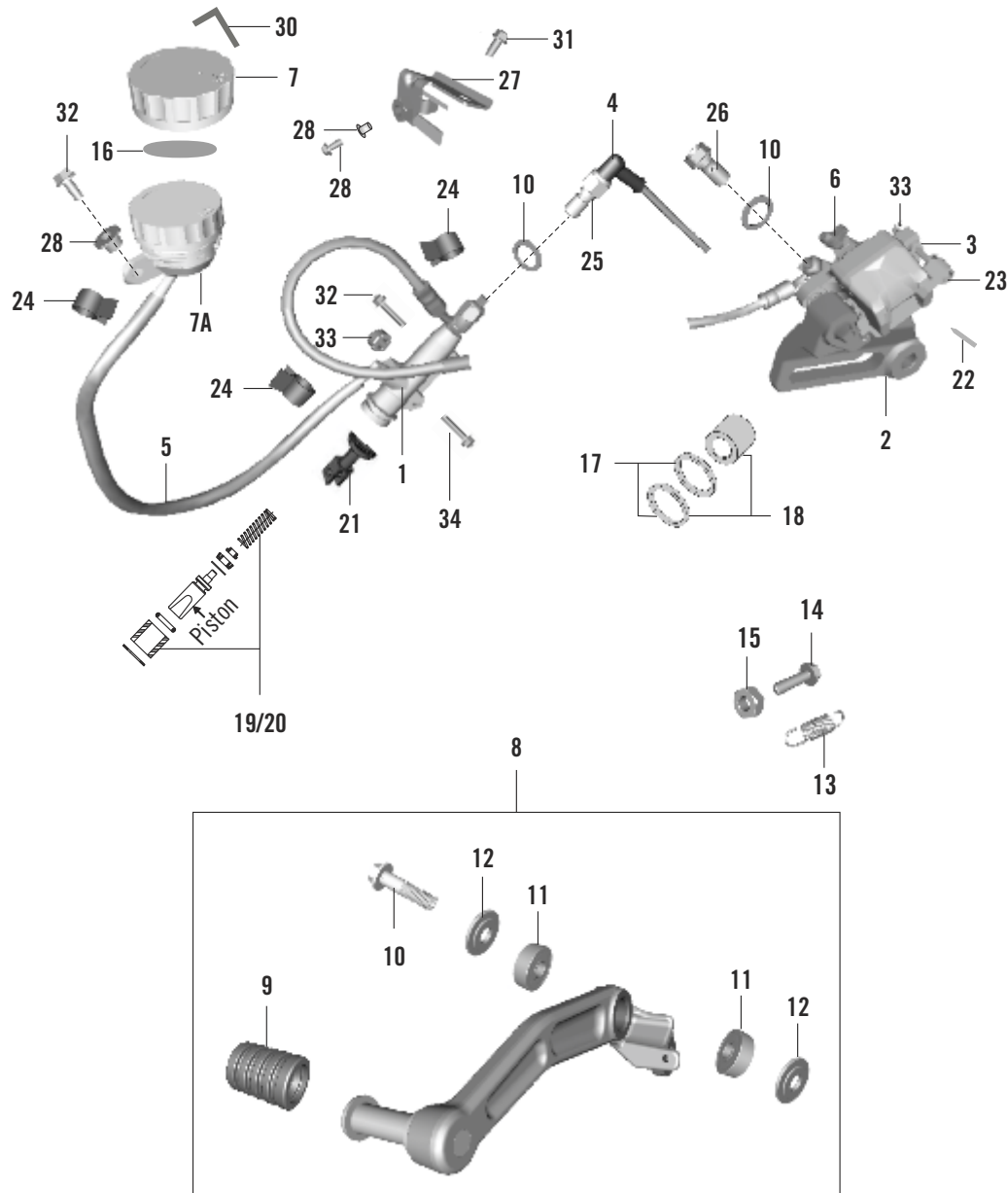
DUKE 250/390



No.	Part No.	Description	Qty		
			250 MY17	390 MY17	
1	36JP0016	Assembly Master Cyl. Front	1	--	N/Adj Lever
1A	36JP0017	Assembly Master Cyl. Front	--	1	Adj Lever
2	36JY0221	Clamp	1	--	
2A	36JY0222	Clamp	--	1	for APS
3	36JY0220	Brake Lever Front	1	--	
3A	36JY0186	Brake Lever Front Adjustable	--	1	
4	JG131804	Brake Caliper Radial	1	--	
4A	JY131823	Brake Caliper Radial (Sintered Pads)	--	1	
5	36JU0114	Kit Brake Pad Front	1	--	
5A	36JY0188	Kit Brake Pad Front (Sintered)	--	1	
6	DE151046	Bleeder Screw	1	1	
7	JG131814	Pin Clip	1	1	
8	DK151092	Pad Spring	1	1	
9	DE191010	Copper Gasket	4	4	
10	DK151069	Banjo Screw	2	2	
11	LAD00037	Bolt Flange	2	--	
11A	LAD00079	Bolt Flange	--	2	
12	JU131004	Spacer For Caliper	--	2	
13	36JY0180	Minor Kit Caliper Assly.	1	1	
14	36JY0179	Major Kit Caliper Assly.	1	1	
15	DJ201109	Front Brake Switch	1	1	
16	36JP0015	Brake Hose Kit Front	1	--	
17	36JY0183	Minor Kit Master Cylinder	1	1	N.I.
17A	36JY0184	Major Kit Master Cylinder	1	1	N.I.
18	36JY0187	Front MC Boot Kit	1	1	

BRAKE SYSTEM - REAR

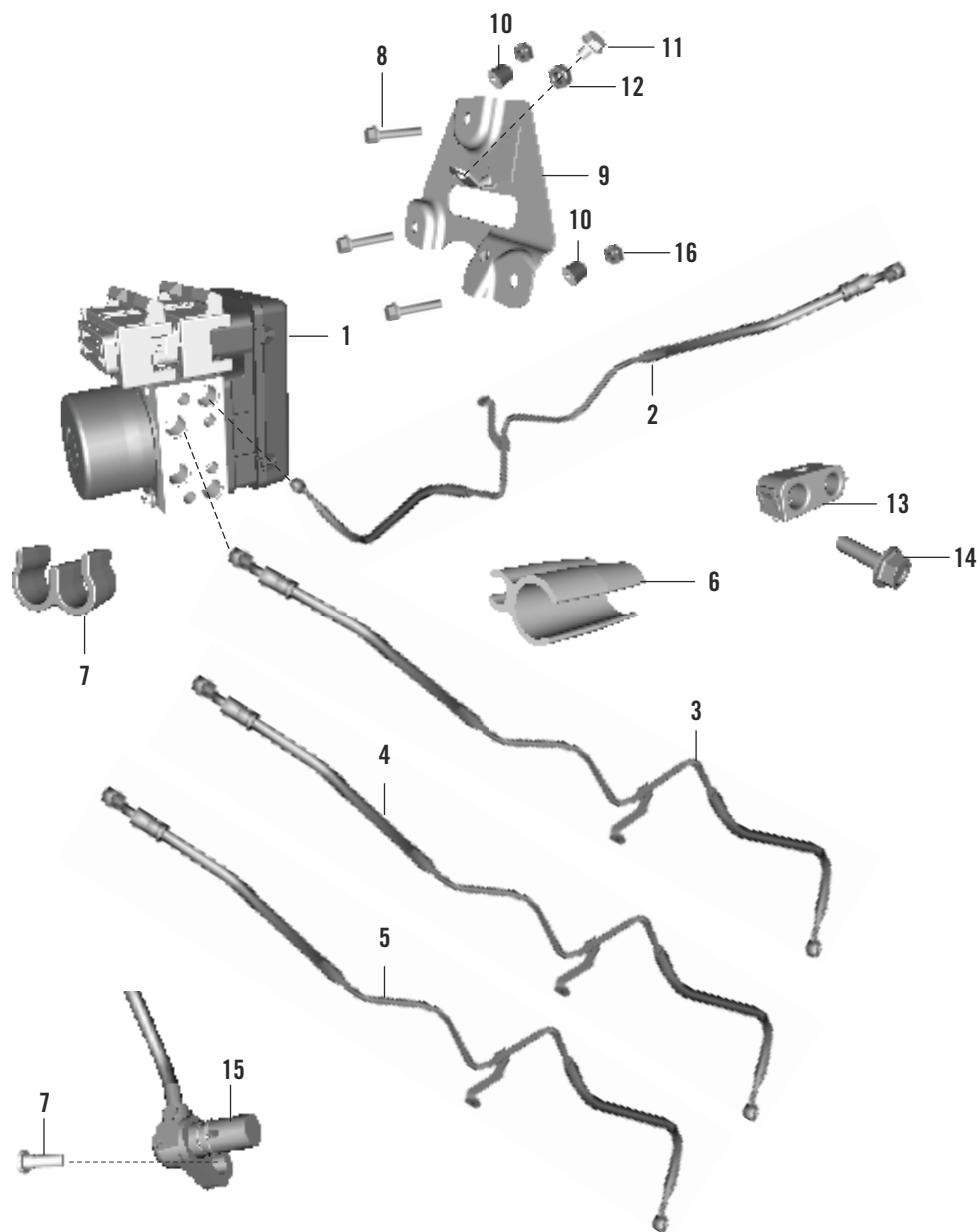
DUKE 250/390



No.	Part No.	Description	Qty		
			250 MY17	390 MY17	
1	JP131802	Rear Master Cylinder	1	1	
2	JG131815	Brake Caliper Rear Cpl.	1	1	
3	DK151085	Rear Brake Pads Set	1	1	
4	JG401400	Brake Light Switch Rear	1	1	
5	36JY0225	Reservoir Tube Kit	1	1	
6	DE151046	Bleeder Screw	1	1	
7	DK151045	Rear Reservoir Cap	1	1	
7A	JG131821	Rear Reservoir	1	1	
8	JP161001	Assly Brake Lever	1	1	
9	JG113010	Rubber For Brake Pedal	1	1	
10	JY113025	Bolt Brake Lever	1	1	
11	JG113061	Bearing Brake Lever	2	2	
12	JY113015	Washer Brake Lever	2	2	
13	JG161001	Spring Foot Brake Lever	1	1	
14	KADM0620	Bolt Flanged M6x20 Sw10	1	1	
15	KCAJ0605	Hexagon Nut M6	1	1	
16	DK151072	Rear Reservoir Diaphragm	1	1	
17	36JY0180	Minor Kit Caliper (w/o Piston)	1	1	
18	36JY0179	Major Kit Caliper (with Piston)	1	1	
19	36JY0223	Major Kit Master Cylinder (with Piston)	1	1	
20	36JY0224	Minor Kit Master Cylinder (w/o Piston)	1	1	
21	36JY0226	Kit Push Rod	1	1	
22	JG131830	Pin Pad	1	1	N.S.
23	DE151041	Clip for Pin Pad	2	2	
24	DK151034	Clip Clamp	2	2	
25	36JY0075	Pressure Switch Kit	1	1	
26	36JY0076	Banjo Bolt Kit	1	1	
27	JP113809	Bracket Reservoir Mtg	1	1	
28	JP181247	Sleeve Reservoir Mounting	1	1	
29	LAE00051	Bolt Flange Small-M6X1X118Xblk	1	1	
30	JP131823	Bracket Cap Reservoir	1	1	
31	LAE00053	Bolt Flange Small-M5X0.8X110Xblk	1	1	
32	LAD00077	Bolt Flanged M6X16	1	1	
33	KCJA0606	Nut U	1	1	
34	JG131807	RR BR Hose MS to Caliper	1	--	Non ABS

BRAKE SYSTEM - ABS FRONT & REAR

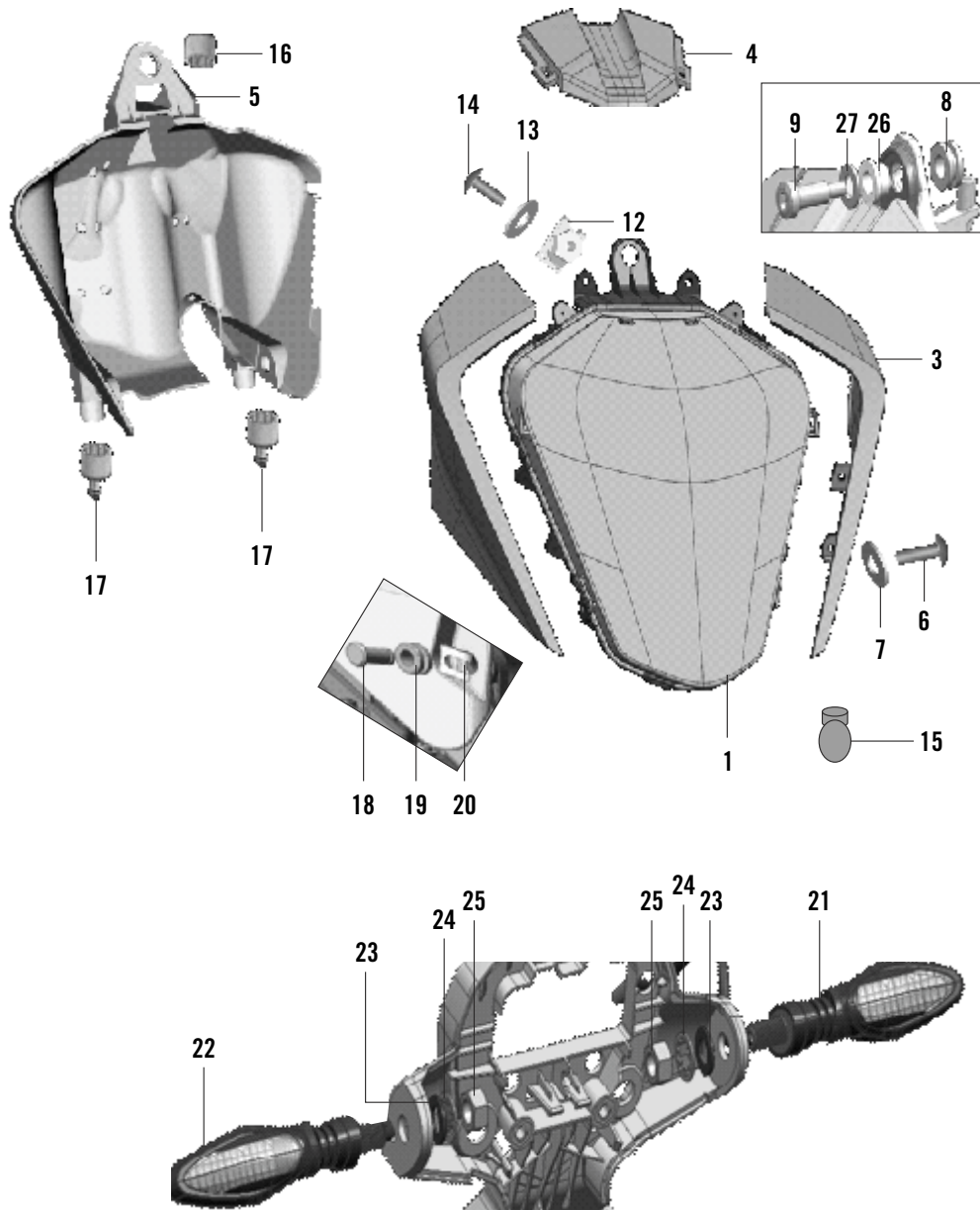
DUKE 250/390



No.	Part No.	Description	Qty	
			250 MY17	390 MY17
1	JP131807	Unit ABS Wet 9.1 MP	--	1
2	36JP0011	Brake Hose Kit ABS to Master Cyl. Front	--	1
3	36JP0012	Brake Hose Kit Front ABS to Caliper	--	1
4	36JP0013	Brake Hose Rear MC TO ABS	--	1
5	36JP0014	Brake Hose Rear Caliper TO ABS	--	1
6	DT131849	Clamp For ABS Hose	--	3
7	LAD00093	Bolt M6	--	2
8	LAD00040	Bolt Master KAE	--	3
9	JP113804	Bracket ABS Mounting	--	1
10	JG581014	Silent Blocks	--	3
11	KAEM0610	Bolt Flanged	--	3
12	LCL00002	Nut Flanged M-6	--	3
13	DT131849	Clamp for ABS Hose	--	3
14	KAEM0620	Bolt ABS Clamp	--	3
15	DT402404	Speed Sensor for ABS	--	1
16	LCL00002	Nut		

HEAD LIGHT ASSEMBLY

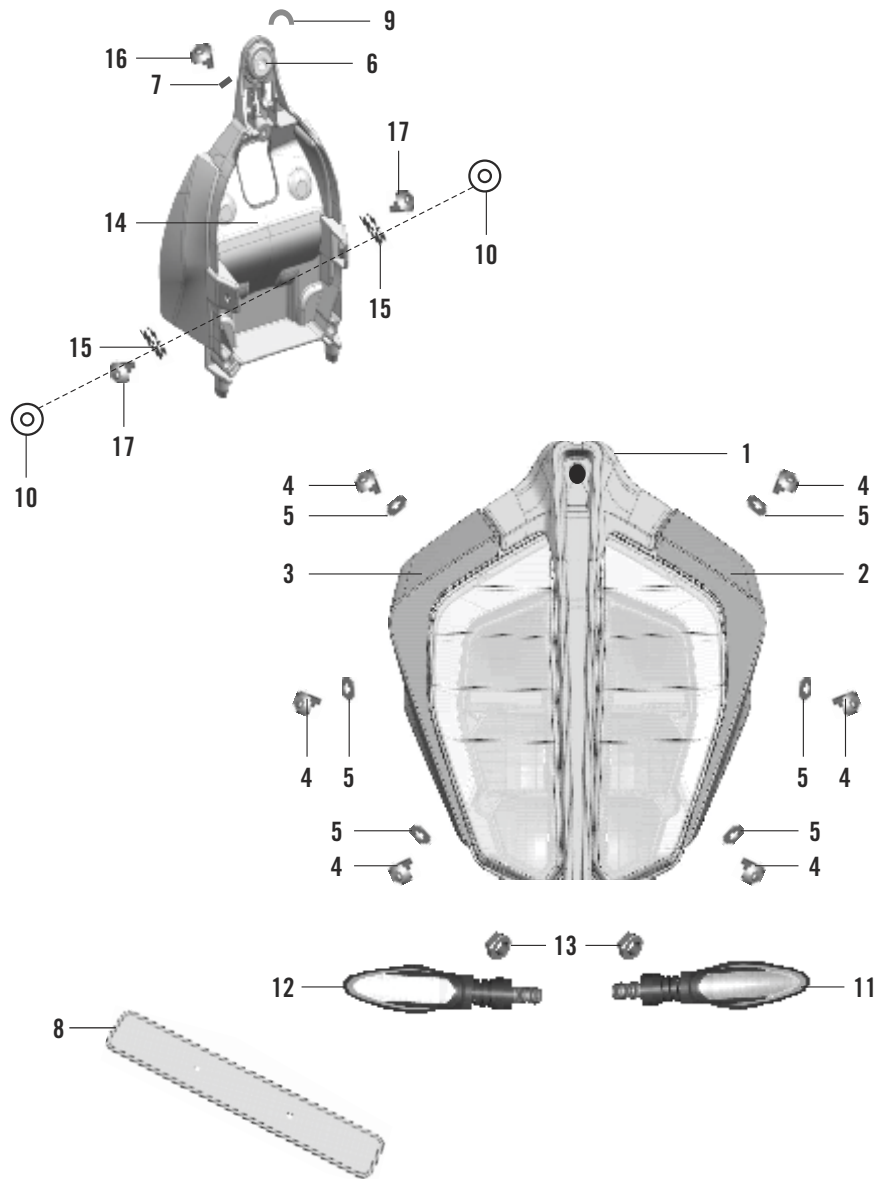
DUKE 250



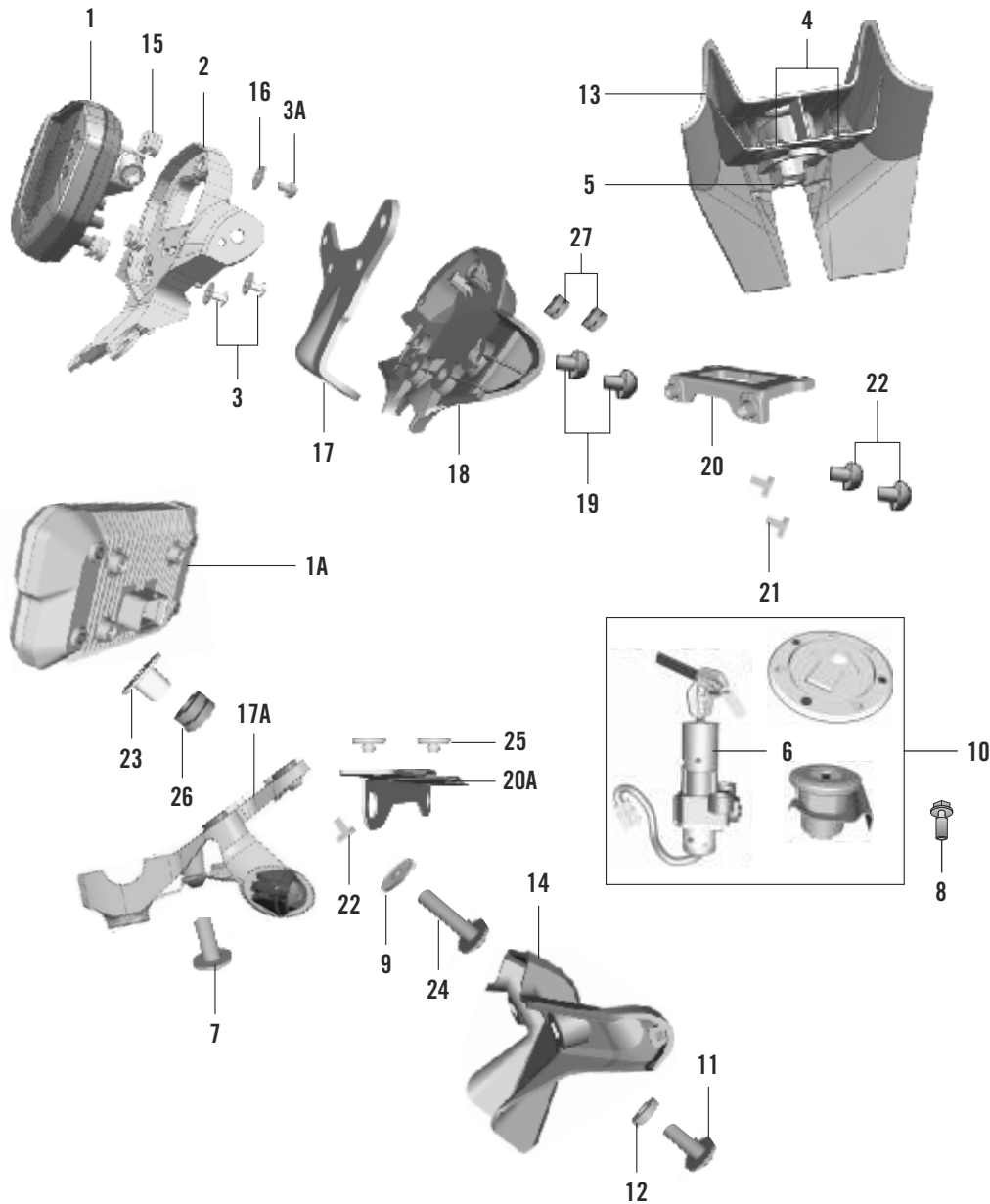
No.	Part No.	Description	Qty		
			250 MY17	390 MY17	
1	JP401003	Assembly Head Lamp	1		
2	56JP141T	Side Mask LH	1		Ele Orange
2A	56JP14X3	Side Mask LH	1		White
3	56JP151T	Side Mask RH	1		Ele Orange
3A	56JP15X3	Side Mask RH	1		White
4	JP181284	Middle Mask Bulb HI	1		
5	JP181242	Fairing Back Cover Bulb HI	1		
6	KBRD3513	Screw Tapping Pan Cros-St3.5X13	6		
7	KDAE0408	Washer Plain Small-4.5X8X0.5Xblk	6		
8	JP181279	Grommet Front Fairing Assy	1		
9	LAC00101	Bolt Socket-M6X1X12XblkxStep	1		
10	PD402211	Clamp For Head Lamp Harness	1		
11	36DT0053	Number Plate Front	1		
12	JG171031	Clip Nut M5	2		
13	KDBF0512	Washer Plain-Id5.5Xod12Xt0.8Xblk	2		
14	KBUF0514	Screw Truss-M5X0.8Xl 14Xblack	2		
15	DG201071	Bulb Head Lamp	1		
16	JP181261	Grommet HI Cover Top	1		
17	JP181262	Grommet HI Cover Bottom	2		
18	LAD00046	Bolt Pivot - Mask Carrier	2		
19	JG181242	Grommet Pivot Bolt-Mask Carrier	2		
20	JG181243	Securing Clip-Piv Bolt-Mask Carr	2		
21	JP401018	Indicator Assembly Front LH	1		
22	JP401019	Indicator Assembly Front RH	1		
23	LDA00012	Washer Plain	2		
24	LDF00002	Washer Toothed	2		
25	LCA00005	Nut Hex M10X1.25	2		
26	JP181263	Grommet Rubber 2 Front Fairing	1		
27	JB113007	Plain Washer	1		

HEAD LIGHT ASSEMBLY

DUKE 390



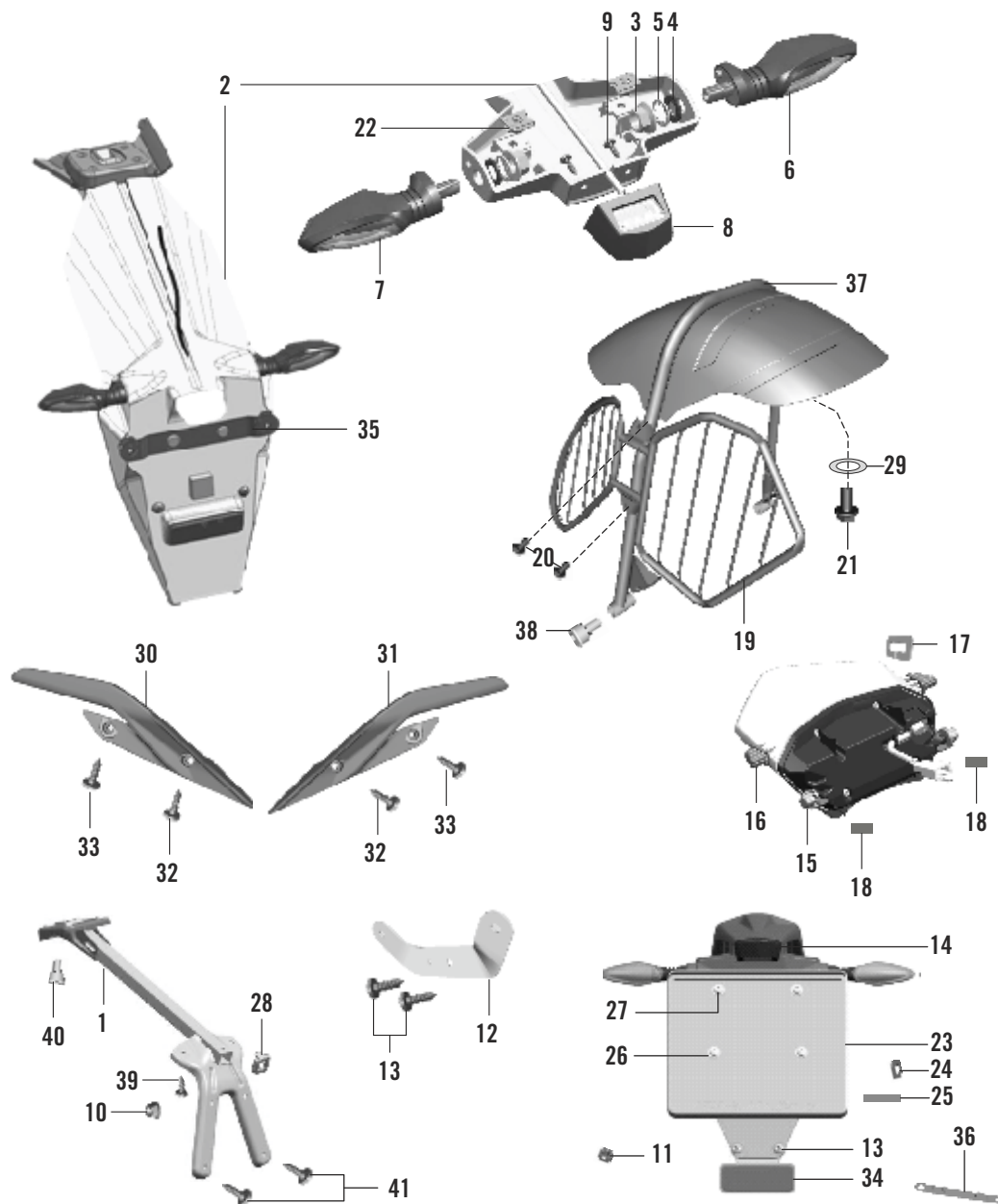
No.	Part No.	Description	Qty		
			250 MY17	390 MY17	
1	52JP0178	Sub Assembly Fairing Led		1	
2	56JP141T	Side Mask LH		1	Ele Orange
2A	56JP14X3	Side Mask LH		1	White
3	56JP151T	Side Mask RH		1	Ele Orange
3A	56JP15X3	Side Mask RH		1	White
4	KBRD3510	Screw Tapping Pan Cross-St3.5X110		6	
5	KDAE0408	Washer Plain Small-4.5X8X0.5Xblk		6	
6	JP181279	Grommet Front Fairing Assy		1	
7	JP181280	Collar Head Lamp Holder Mtg		1	
8	36DT0053	Number Plate Front		1	
9	JP181261	Grommet HI Cover Top		1	
10	JP181262	Grommet HI Cover Bottom		2	
11	JP401018	Indicator Assembly Front LH		1	
12	JP401019	Indicator Assembly Front RH		1	
13	KCBB1006	Nut-Hex-Thin-M10X1.25Xthk 6XBlk		2	
14	JP181241	Holder Headlamp Led		1	
15	DJ181065	Clip Nut M6		2	
16	LAC00008	Screw Button Head-M6X1X120XBlack		1	
17	LBU00048	Screw Button Hd-M6X1X13		2	



No.	Part No.	Description	Qty	
			250 MY17	390 MY17
1	JP402401	Speedometer LCD Non ABS	1	----
1A	JP402400	Speedometer with ABS	--	1
2	JP181240	Dashboard	1	----
3	LBR00002	Self Tapping Screw	2	----
3A	LBR00008	Screw Tapping Socket	1	----
4	JP181229	Grommet Ignition Switch Cover	2	2
5	JP181234	Grommet Ignition Cover	1	1
6	36JP0026	Ignition Lock Set	1	1
7	JY113821	Screw Button Head-M6X1X12Xblack	--	2
8	LAA00030	Bolt -M6X1X30Xcl8.8Xblxsh Hd	2	2
9	JW181229	Washer Plain Id5.5 X Od18 X T 1 X Bl	--	4
10	52JP0050	Lock Set EVAP	1	1
11	LBU00050	Screw Button Head-M6X1X19XPrecoat	--	2
12	JP113832	Collar TFT Speedo Small	--	2
13	JP181220	Ignition Switch Cover	1	1
14	JP181243	Back Cover TFT Holder	--	1
15	JG181238	Grommet Dashboard	3	----
16	LDB00016	Washer -Plain	3	----
17	JP181250	Bracket Speedometer Holder (0.6~0.7 Kg.m)	1	--
17A	JP181286	Bracket TFT Cover Back	--	1
18	JP181249	Speedometer Holder Back Cover	1	----
19	LBU00048	Screw Button Hd-M6X1X13	2	----
20	JP232808	Holder Number Plate	1	----
20A	JP113830	Bracket -Number Plate TFT	--	1
21	JL181453	Collar Wind Shield	2	----
22	LBU00054	Screw Button Hd-M6X1X1 25XBlk (0.6~0.8 Kg.m)	2	--
23	JP113831	Sleeve -Number Plate	--	2
24	JR131221	Screw Button Head-M5X0.8X128XBlack	--	2
25	JZ232814	Pad Rubber Number Plate Bkt	--	2
26	JY171037	Grommet Tank Cowl Mtg	--	2
27	JP181291	Grommet Number Plate Mtg. Bolt	--	2
28	KCBB1006	Nut Hex M10	--	2

SAREE GUARD / REAR NUMBER PLATE

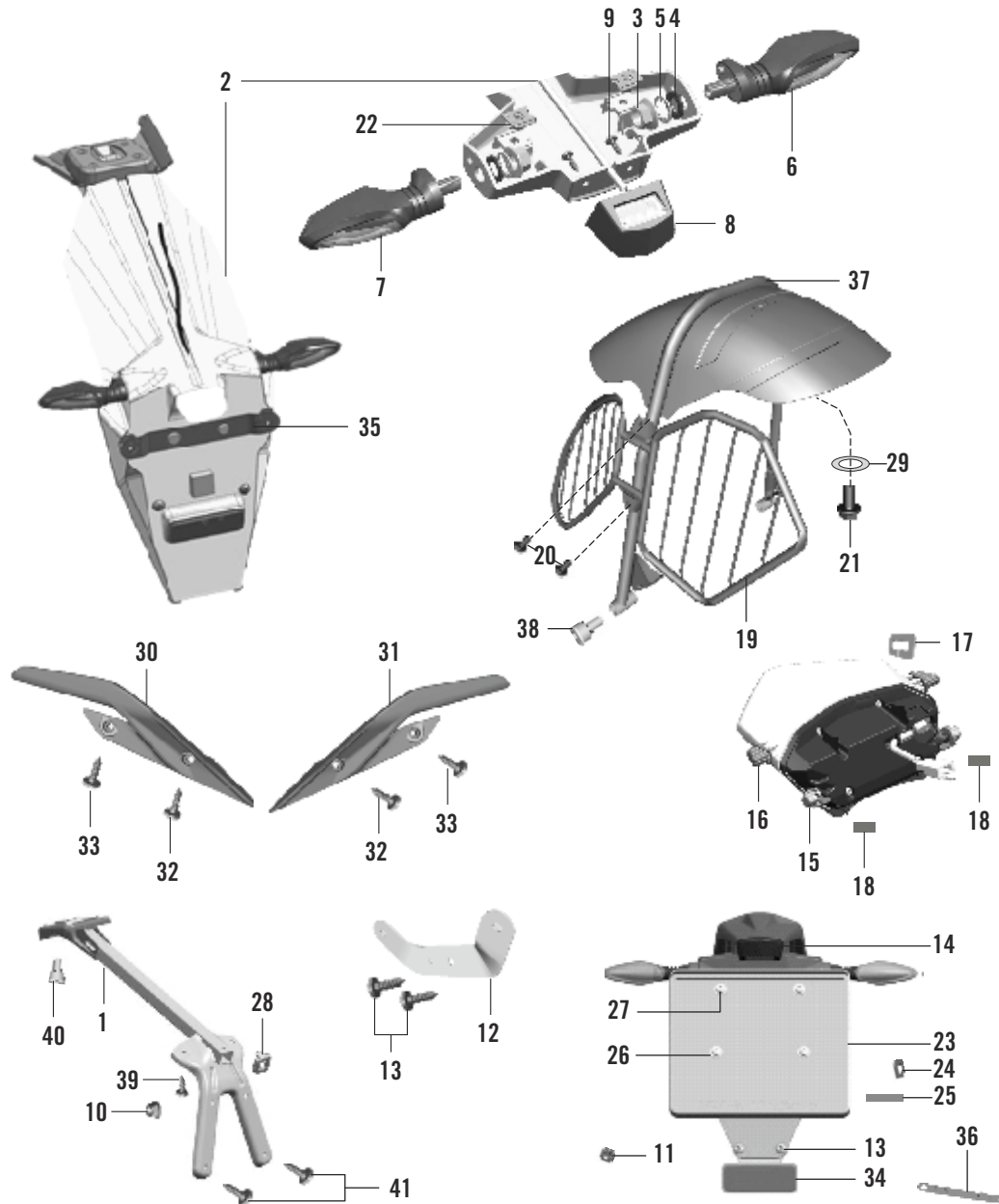
DUKE 250/390



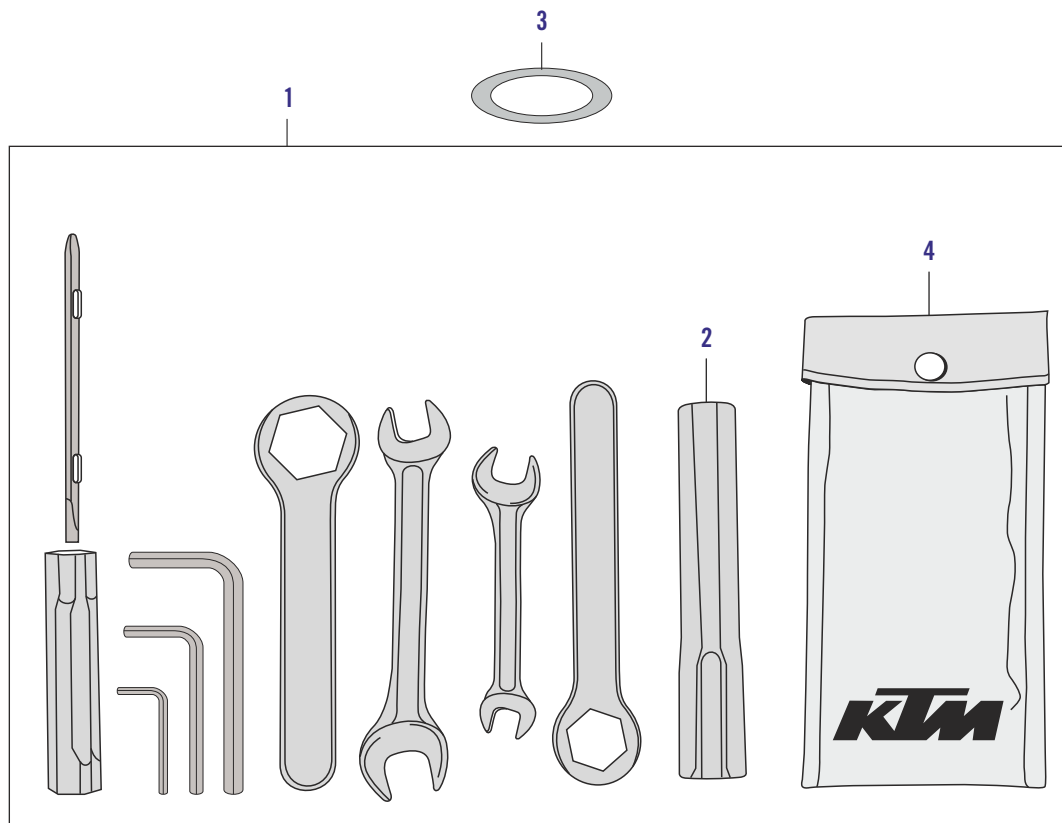
No.	Part No.	Description	Qty	
			250 MY17	390 MY17
1	JP232801	Number Plate Structure	1	1
2	JP181204	Cover Number Plate Structure	1	1
3	KCGJ1010	Nut Hex Flanged (1.2 Kg.m)	2	2
4	LDA00012	Washer Plain	2	2
5	LDF00002	Washer Toothed	2	2
6	JY401024	Indicator Assly Rear LH	1	1
7	JY401025	Indicator Assly Rear RH	1	1
8	JG401006	Lamp Number Plate	1	1
9	KBRD4213	Screw CR Pan Hd Tap 4x1.59	2	2
10	KCGK0606	Nut M6	2	2
11	LCA00008	Nut Reflector Reflex	1	1
12	JP181407	Bracket Reflex Reflector	1	1
13	KBUA0616	Screw Truss	2	2
14	JP401001	Tail Lamp	1	1
15	JP401004	Grommet Round	2	2
16	JP401005	Grommet Tail Lamp Lh	2	2
17	JP401006	Nylon Washer Square	2	2
18	JP401007	Spacer Grommet Round	2	2
19	JY231204	Saree Guard	1	1
20	LAC00118	Bolt	2	2
21	LAC00112	Bolt Socket	2	2
22	DJ161229	Clip Nut	2	2
23	36PD0056	Number Plate Rear	1	1
24	JU181408	Grommet Number Plate Rear	2	2
25	JU181412	Dual Lock Tape	2	2
26	LDB00031	Plain Washer-for Plastic Plate	2	2
27	KADM0620	Bolt M6 - For Plastic Plate	4	4
28	JP232802	Cap Rubber Rear Number Plate Structure	1	1
29	KDBE0613	Washer Plain Small	5	5
30	JP231400	Grab Handle LH	1	1

SAREE GUARD / REAR NUMBER PLATE

DUKE 250/390



No.	Part No.	Description	Qty	
			250 MY17	390 MY17
31	JP231401	Grab Handle Rh	1	1
32	LAC00095	Bolt Socket-M8X1.25X130XblxPrecoat	2	2
33	LAC00096	Bolt Socket-M8X1.25X140XblxPrecoat	2	2
34	JG401036	Reflector Reflex	1	1
35	JP232805	Bracket Number Plate Domestic	1	1
36	JL181263	Foam Rear Number Plate	2	2
37	JY181000	Tube Rear Hugger Mounting	1	1
38	JU231206	Bolt M8 Precoated	1	1
39	KBUA0512	Truss Screw (0.4 ~ 0.5 Kg.m)	2	2
40	LAD00189	Bolt (1.0 Kg.m)	4	4
41	KBUA0612	Truss Screw	2	2

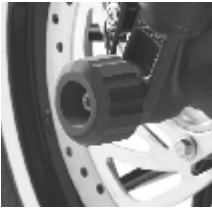










No.	Part No.	Description	Qty		
			250 MY17	390 MY17	
1	JY231000	Tool Kit RC	1	1	
2	JG231003	Spark Plug Spanner	1	1	
3	DK221024	Band Tool Kit	1	1	
4	JG231002	Tool Kit Bag	1	1	
5	JG231006	Screw Driver	1	1	N.S.
6	JG231014	Tool Wrench 22 A/F	1	1	N.S.
7	JG231008	Tool Bar	1	1	N.S.
8	JG231009	Spanner Flat 13 X 14	1	1	N.S.
9	JG231010	Spanner Flat 08 X 10	1	1	N.S.
10	JY231001	Tool Allen Key 4MM	1	1	N.S.
11	JG231011	Key Allen -5 MM	1	1	N.S.
12	JG231012	Key Allen -6 MM	1	1	N.S.
13	JG231013	Key Allen -10 MM	1	1	N.S.
14	JY231002	Tool Spring Adjuster	1	1	N.S.

KTM RECOMMENDED CONSUMABLES

DUKE 250/390

No.	Part No.	Description	
1.	OILCRGJU	Engine oil Motul 71004T 20 W 50	
2.	OILCRGJG	Engine oil Motul 7100 10 W 50	
3.	36 DH40 61	Brake oil	
4.	36 PB00 04	Fork oil	
5.	36 0010 58	Engine coolant Koolex	
6.	36 DK00 45	Molybdenum general purpose grease	
7.	36 DH40 29	Chain lubricant OKS	
8.	JG 5410 71	Liquid Gasket	
9.	36 0010 52	Steering Grease (Bajaj Genuine Pouch) Grease Lethon - 10 Gm RR 3	
10.	36 DK00 45	General Grease Application Molybdenum grease	
11.	36 0010 52	Grease for brake caliper pins (Bajaj Genuine Pouch) Silicone grease/ Poly butyl cuprysil grease	
12.	83020473	Petamo Grease	

No.	Part No.	Description		
1.	36 JT00 08	Crash Pad - Front		
2.	36 JT00 07	Tank Pad		
3.	36 JT00 34	Tank Cap sticker		
4.	36 JT00 54	Bike - Cover		
5.	36 JT00 14	WINDSHIELD		
6.	36 JT00 55	GRAPHICS KIT "RACE" 390 CHROME STICKER SET		

No.	Part No.	Description		
7.	36 JT00 17	CRASH PAD REAR		
8.	36 JT00 29	BRAKE LEVER LOCK		
9.	36 PB00 06	KTM REAR WHEEL STAND		

Sr No	Kit Part No.	Kit Description	Consisting of Following Parts		
			Part No.	Description	Qty/Kit
1	36JY0200	Kit Engine Crankcase Repair	JG601007	Special Shaft Seal Ring (Oil)	1
			JL601010	Water Seal_double Lip	1
			JG531215	Washer (2.5MM)	1
			JG601005	Dome Nut	1
			DG101456	Seal - Oil	1
			DK101352	O-ring Sprocket Collar (17.5*1.5)	1
			39104319	Seal - Oil	1
			83020473	Grease Petamo GHY441-3GM Pouch	1
2	36JG0091	Seal Water Pump with Grease	JG601012	O-ring (Water Pump Cover)	1
			JL601010	Water Seal_Double Lip	1
			JG601007	Special Shaft Seal Ring (oil)	1
			83020473	Grease Petamo GHY441-3GM Pouch	1
3	36JY0103	Kit Friction Plate	JY551418	Disc Friction- A	4
			JY551420	Disc Friction - C	3
			36001007	Accessory Pouch 12-MICPET70MP 200*210	1
			71100495	MRP Label 62.5X24MM Hot Stamp Scratchable	1
4	36JY0201	Tie Rod End LH	LCA00006	Nut Inhibitor	1
			JG113048	Tie Rod End LH	1
			JG113078	Cover Dust Tie Rod	2
5	36JY0202	Tie Rod End RH	LCB00003	Nut (LM6X1)	1
			JG113049	Tie Rod End RH	1
			JG113078	Cover Dust Tie Rod	2
6	36JY0065	Kit Valve Spring	JY511236	Valve Spring Inner	4
			JY511224	Valve Spring Outer	4
			61090438	Pouch 90X120 MM 60% Metalosin Basegranul	1
			71111250	Label KTM Preprinted	1
7	36JY0199	Valve Cover Gasket Kit	JY511128	Gasket Rubber - D	1
			JG511021	Washer	4

Sr No	Kit Part No.	Kit Description	Consisting of Following Parts		
			Part No.	Description	Qty/Kit
8	36JU0019	Oil Seal Kit NOK	JG121013	Oil Seal	1
			JG121011	Inner Dust Seal	1
			36001030	Accessory Pouch 12 MIC PET 70 MP 110X150	1
			71111250	Label KTM Preprinted	1
			36001008	Accessory Pouch 12 MIC PET 70 MP 270*300	1
9	36JU0075	Kit Steering Race Lower	DG181047	Bearing Race - Lower	1
			DK181051	Cage Bearing Steering Bottom	1
			DG181005	Bearing Cone	1
			36001052	Grease Lethon RR3 -10GM	1
			36001030	Accessory Pouch 12 MIC PET 70 MP 110X150	1
71111250			Label KTM Preprinted	1	
10	36JU0074	Kit Steering Race Upper	DG181045	Bearing Cone :- Upper	1
			DK181050	Cage Bearing Steering Top	1
			DG181046	Bearing Race - Upper	1
			36001052	Grease Lethon RR3 -10GM	1
			36001030	Accessory Pouch 12 MIC PET 70 MP 110X150	1
			71111250	Label KTM Preprinted	1
11	36JP0022	Kit Front Wheel Black	56JP60Z3	Front Wheel Black MY17 DUKE/RC	1
			JG131001	Spacer	1
			KPBC6202	Bearing-Ball-C3 Clearance	2
			DG151005	Seal - Oil	2
			DK151026	Valve Tubeless Tyre	1
12	36JY0205	Kit Front Wheel Elec. (Orange)	56JP601T	Front Wheel EB Orange DUKE/RC MY17	1
			JG131001	Spacer	1
			KPBC6202	Bearing-Ball-C3 Clearance	2
			DG151005	Seal - Oil	2
			DK151026	Valve Tubeless Tyre	1

KIT LIST

DUKE 250/390

Sr No	Kit Part No.	Kit Description	Consisting of Following Parts		
			Part No.	Description	Qty/Kit
13	36JP0023	Kit Rear Wheel Black	56JP61Z3	Rear Wheel Black MY17 DUKE / RC	1
			KPBC6202	Bearing-Ball-C3 Clearance	1
			KPBC6302	Bearing-Ball-C3 Clearance	1
			30151082	Seal Oil	2
			JG131205	Collar Bearing Assly	1
			DK151026	Valve Tubeless Tyre	1
14	36JY0206	Kit Rear Wheel Electric Orange	56JP611T	Rear Wheel EB Orange DUKE/RC MY17	1
			KPBC6202	Bearing-Ball-C3 Clearance	1
			KPBC6302	Bearing-Ball-C3 Clearance	1
			30151082	Seal Oil	2
			JG131205	Collar Bearing Assly	1
			DK151026	Valve Tubeless Tyre	1
15	36DT0053	Number Plate Front	JU232800	Number Plate Front	1
			LBU00009	Screw Mushroom Head	2
			39214124	Washer Nylon 5.3X11.5X1.5	2
16	36PD0056	Number Plate Rear	DP161145	Plate-NO.: RR-Same as Security PL	1
			39247504	Bolt-Hexagon Head With Flange M6	2

Sr No	Kit Part No.	Kit Description	Consisting of Following Parts		
			Part No.	Description	Qty/Kit

PART INDEX

DUKE 250/390

Part Number	Figure No.	Page No.	Part Number	Figure No.	Page No.	Part Number	Figure No.	Page No.	Part Number	Figure No.	Page No.	Part Number	Figure No.	Page No.	Part Number	Figure No.	Page No.	Part Number	Figure No.	Page No.	Part Number	Figure No.	Page No.
30101195	6	19	39266921	14	16	36 JY00 62	34	15	36JY0179	18	46	52JP0112	1	27	DH171019	3	43	DT402404	29	43	JG113837	52	28
30141031	18	27	39269920	17	17	36 JY00 63	35	15	36JY0180	13	45	52JP0113	2	27	DJ101300	10	1	DU151031	63	28	JG113846	20	31
30151082	10	43	59210023	17	18	36 JY00 64	36	15	36JY0180	17	46	52JP0178	1	49	DJ101300	17	3	JA541021	16	18	JG113857	6	23
30191017	28	25	83020473	19	1	36DT0053	8	49	36JY0183	17	45	52JP0185	1A	27	DJ101300	15A	2	JB113007	27	48	JG113858	32	43
31101173	7	6	83020473	26	2	36DT0053	11	48	36JY0184	17A	45	52JP0203	2A	27	DJ101305	26	27	JD131811	8	43	JG121021	19A	23
36001062	2	1	36 JY00 29	1	15	36DU1901	27	25	36JY0186	3A	45	56JP055S	1	39	DJ161229	22	51	JD131811	10A	42	JG122007	5	43
36001062	21	2	36 JY00 30	2	15	36JG0091	3B	4	36JY0187	18	45	56JP05X3	1A	39	DJ181065	15	49	JD402212	11	44	JG122009	17	31
39020111	3A	30	36 JY00 31	3	15	36JG0091	4A	1	36JY0188	5A	45	56JP105S	25	39	DJ181065	17	39	JD402215	14	42	JG122010	18	31
39020811	27	34	36 JY00 32	4	15	36JP0011	2	47	36JY0192	1	4	56JP115S	24	39	DJ181065	24	12	JD402215	33	43	JG122011	16	31
39084914	33	20	36 JY00 33	5	15	36JP0012	3	47	36JY0197	1	2	56JP141T	2	48	DJ201109	15	45	JD402217	12	44	JG122012	14	31
39099906	5	18	36 JY00 34	6	15	36JP0013	4	47	36JY0198	1	1	56JP141T	2	49	DK101225	18	17	JF531020	1A	6	JG122015	17	43
39099906	7	19	36 JY00 35	7	15	36JP0014	5	47	36JY0199	3	17	56JP14X3	2A	48	DK101340	19	17	JF541016	9A	2	JG122016	5	31
39099906	10	17	36 JY00 36	8	15	36JP0015	16	45	36JY0200	18	1	56JP14X3	2A	49	DK151026	11	42	JF541017	25	2	JG122026	15	31
39099906	11	3	36 JY00 37	9	15	36JP0016	1	45	36JY0201	19	11	56JP151T	3	48	DK151026	14	43	JF561001	10	10	JG122033	13	31
39102121	12	14	36 JY00 38	10	15	36JP0017	1A	45	36JY0202	20	11	56JP151T	3	49	DK151034	24	46	JG113007	33	28	JG122037	19	31
39104119	10	3	36 JY00 39	11	15	36JP0018	17	25	36JY0205	1A	42	56JP15X3	3A	48	DK151045	7	46	JG113010	9	46	JG122039	3	31
39104319	4	2	36 JY00 40	12	15	36JP0019	17	6	36JY0206	1A	43	56JP15X3	3A	49	DK151069	10	45	JG113010	16	11	JG122044	1	31
39107504	9	17	36 JY00 41	13	15	36JP0020	19	6	36JY0220	3	45	56JP23X3	4	34	DK151072	16	46	JG113039	31	28	JG131001	5	42
39118415	20	25	36 JY00 42	14	15	36JP0021	18	6	36JY0221	2	45	BF621402	5	21	DK151085	3	46	JG113040	32	28	JG131006	7	42
39122411	18	37	36 JY00 43	15	15	36JP0022	1	42	36JY0222	2A	45	CB101009	4	14	DK151092	8	45	JG113041	13	27	JG131007	8	42
39130911	17	12	36 JY00 44	16	15	36JP0023	1	43	36JY0223	19	46	CB101022	7	14	DK181043	15	25	JG113042	14	27	JG131008	9A	42
39153721	18	3	36 JY00 45	17	15	36JP0026	6	50	36JY0224	20	46	CS101128	13	16	DK181050	29	23	JG113052	48	28	JG131038	9	42
39155304	29	25	36 JY00 46	18	15	36JU0019	11A	23	36JY0225	5	46	DD111012	21	19	DK181051	32	24	JG113061	11	46	JG131205	12	43
39166511	15	4	36 JY00 47	19	15	36JU0074	14	23	36JY0226	21	46	DE151041	23	46	DK181076	15	23	JG113061	15	11	JG131209	27	43
39186420	14	1	36 JY00 48	20	15	36JU0075	13	23	36PD0056	23	51	DE151046	6	45	DK221024	3	53	JG113203	1	29	JG131211	6	43
39199020	2	3	36 JY00 49	21	15	36JU0114	5	45	52JP0050	10	50	DE151046	6	46	DP101191	12	1	JG113207	3	29	JG131220	28	43
39200511	9	11	36 JY00 50	22	15	36JY0003	2A	5	52JP0065	22	39	DE191010	9	45	DS101154	8	4	JG113210	9	29	JG131221	9A	43
39201619	15	3	36 JY00 51	23	15	36JY0004	17A	6	52JP0067	23	39	DG101275	9	6	DS161156	7	22	JG113403	56	28	JG131224	23	43
39218106	3	5	36 JY00 52	24	15	36JY0005	18A	6	52JP0069	22A	39	DG101275	16	7	DS191052	10	25	JG113404	4	39	JG131228	18	43
39218106	24	2	36 JY00 53	25	15	36JY0006	19A	6	52JP0071	23A	39	DG151005	3	42	DT131210	15	43	JG113404	9	34	JG131236	19A	43
39218520	16	1	36 JY00 54	26	15	36JY0007	1	5	52JP0077	15B	39	DG181004	25	23	DT131213	25	43	JG113404	21	31	JG131245	9	43
39220307	5	6	36 JY00 55	27	15	36JY0065	5	14	52JP0079	15C	39	DG181005	33	24	DT131214	21	43	JG113404	51	28	JG131802	10	42
39256220	8	2	36 JY00 56	28	15	36JY0075	25	46	52JP0085	16B	39	DG181045	28	23	DT131849	6	47	JG113800	34	28	JG131804	4	45
39256220	9	1	36 JY00 57	29	15	36JY0076	26	46	52JP0087	16C	39	DG181046	30	23	DT131849	13	47	JG113800	38	28	JG131807	34	46
39260120	13	1	36 JY00 58	30	15	36JY0102	15	9	52JP0093	15	39	DG181047	31	24	DT131867	13	42	JG113802	41	28	JG131809	7	43
39260607	3	10	36 JY00 59	31	15	36JY0103	2	7	52JP0095	15A	39	DG201071	15	48	DT171814	2	38	JG113813	39	28	JG131814	7	45
39260607	16	4	36 JY00 60	32	15	36JY0153	2	5	52JP0101	16	39	DH101389	34	20	DT402404	15	42	JG113832	7	23	JG131815	2	46
39260607	5A	6	36 JY00 61	33	15	36JY0179	14	45	52JP0103	16A	39	DH102117	9	3	DT402404	15	47	JG113832	45	28	JG131821	7A	46



PART INDEX

DUKE 250/390

Part Number	Figure No.	Page No.	Part Number	Figure No.	Page No.	Part Number	Figure No.	Page No.	Part Number	Figure No.	Page No.	Part Number	Figure No.	Page No.	Part Number	Figure No.	Page No.	Part Number	Figure No.	Page No.			
JG131830	22	46	JG231221	23	25	JG561205	7	11	JL181027	24	13	JP113814	12	37	JP151015	34	26	JP181210	4	40	JP181408	23	31
JG141001	24	43	JG351019	35	20	JG561215	2	11	JL181263	36	52	JP113816	23	12	JP151016	30	25	JP181218	14	39	JP191000	1	37
JG141002	19	43	JG351202	12	19	JG561216	5	11	JL181453	21	50	JP113824	35	24	JP161001	8	46	JP181219	13	39	JP191001	2	37
JG151012	36	26	JG351203	10	19	JG561217	4	11	JL403000	4	44	JP113826	17	22	JP161004	11	25	JP181220	13	50	JP191007	5	37
JG151013	39	26	JG351400	16	17	JG561218	3	11	JL403200	21	44	JP113828	32	26	JP161203	8	25	JP181226	4	13	JP191010	6	37
JG151024	24	23	JG401006	8	51	JG561222	5	10	JL541227	8	3	JP113830	20A	50	JP171005	6	38	JP181227	18	39	JP191012	28	34
JG151026	16	23	JG401036	34	52	JG561226	8	1	JL591156	7	32	JP113831	23	50	JP171008	5	38	JP181227	24	34	JP231400	30	51
JG151036	2	25	JG401400	4	46	JG561226	10	11	JL591165	6	32	JP113832	12	50	JP171026	18	34	JP181228	4	31	JP231401	31	52
JG161001	13	46	JG401411	4	29	JG571014	11	18	JL591165	23	32	JP113833	36	24	JP171026	18	36	JP181229	4	50	JP231600	6	25
JG171025	17	34	JG401802	17	44	JG571016	12	18	JL601010	4	1	JP113835	30	20	JP171027	20	34	JP181232	15	12	JP231601	7	25
JG171029	5	13	JG402002	20	44	JG581014	10	47	JL601010	3A	4	JP113836	46	28	JP171031	3	38	JP181233	2	12	JP232600	4	37
JG171031	12	48	JG402228	14	44	JG581056	10	33	JL611000	11	22	JP113837	62	28	JP171038	1	36	JP181234	5	50	JP232601	3	37
JG171031	15	34	JG402229	15	44	JG581407	8	22	JP111067	14	37	JP121022	9	23	JP171039	4	36	JP181236	22	12	JP232602	10	37
JG171031	26	39	JG402230	16	44	JG581424	5	22	JP111068	15	37	JP121028	21	23	JP171040	5	36	JP181240	2	50	JP232801	1	51
JG171031	33	26	JG402245	22	44	JG591055	5	32	JP111069	7	37	JP121034	22	23	JP171043	21	13	JP181241	14	49	JP232802	28	51
JG171031	33	35	JG402400	12	42	JG591070	3	32	JP111070	8	37	JP121037	1	23	JP171044	19	36	JP181242	5	48	JP232805	35	52
JG171086	6	36	JG403603	17	42	JG591100	10	32	JP113004	28	27	JP121038	2	23	JP171051	23	13	JP181243	14	50	JP232808	20	50
JG171601	3	36	JG403603	31	43	JG601005	6	4	JP113005	29	27	JP121039	11	23	JP171053	20	13	JP181247	28	46	JP233007	1	41
JG181238	15	50	JG511010	4	32	JG601007	3	1	JP113006	11	27	JP121040	4	23	JP171056	5	34	JP181249	18	50	JP233008	13	41
JG181242	19	48	JG511016	8	14	JG601007	3	4	JP113007	12	27	JP121041	3	23	JP171057	21	34	JP181250	17	50	JP233009	13A	41
JG181243	20	48	JG511021	21	17	JG601011	12	4	JP113012	21	27	JP121043	21A	23	JP171060	7	36	JP181261	9	49	JP233010	2	41
JG181255	8	13	JG511022	20	17	JG601012	13	4	JP113013	22	27	JP121044	22A	23	JP171062	21	36	JP181261	16	48	JP233010	14	41
JG181273	7	31	JG511046	14	17	JG601013	11	4	JP113014	6	30	JP121045	17	23	JP171604	7A	36	JP181262	10	49	JP233010	1A	41
JG181280	9	39	JG511270	6	16	JG601014	9	13	JP113014	43	28	JP121046	8	23	JP171800	1	38	JP181262	17	48	JP233011	3	41
JG181282	10	39	JG531040	14	6	JG601016	16	13	JP113015	30	27	JP121047	10	23	JP171807	12	36	JP181263	26	48	JP233011	15	41
JG231002	4	53	JG531207	7	4	JG601209	15	13	JP113017	16	27	JP121048	26	23	JP171808	13	36	JP181278	26	34	JP233012	4	41
JG231003	2	53	JG531215	5	4	JG601210	17	13	JP113018	17	27	JP122004	1	30	JP171809	14	36	JP181279	6	49	JP233012	16	41
JG231006	5	53	JG541021	7	17	JG601211	2	13	JP113019	15	27	JP122005	1A	30	JP181001	13	34	JP181279	8	48	JP233013	5	41
JG231008	7	53	JG541021	13	3	JG601213	6	13	JP113201	2	29	JP131009	6	42	JP181002	2	34	JP181280	7	49	JP233014	6	41
JG231009	8	53	JG541074	18	2	JG601221	19	13	JP113402	9	27	JP131802	1	46	JP181013	3	34	JP181284	4	48	JP233015	17	41
JG231010	9	53	JG541230	7	3	JG601230	3	13	JP113403	10	27	JP131807	1	47	JP181015	20	39	JP181286	17A	50	JP233016	18	41
JG231011	11	53	JG541232	5	19	JG601235	13	12	JP113801	11	37	JP131817	2A	42	JP181016	21	39	JP181287	6	40	JP233024	8A	41
JG231012	12	53	JG561009	7	1	JG601239	13	13	JP113802	53	28	JP131818	2	42	JP181201	1	40	JP181288	29	20	JP233025	7A	41
JG231013	13	53	JG561009	8	11	JG611006	3	22	JP113803	16	22	JP131823	30	46	JP181202	19	12	JP181291	27	50	JP233027	7	41
JG231014	6	53	JG561010	4	10	JG611007	2	22	JP113804	9	47	JP151004	1	25	JP181203	20	12	JP181296	19	39	JP233028	8	41
JG231214	26	25	JG561204	5	1	JG611206	20	22	JP113809	27	46	JP151009	38	26	JP181204	2	51	JP181402	5	39	JP233029	19A	41
JG231215	21	25	JG561204	6	11	JL161014	14	25	JP113810	24	27	JP151010	5	23	JP181205	1	34	JP181404	5	30	JP233030	20A	41
JG231216	22	25	JG561205	6	1	JL171020	6	34	JP113811	35	28	JP151012	25	25	JP181209	2	40	JP181407	12	51	JP233031	19	41

PART INDEX

DUKE 250/390

Part Number	Figure No.	Page No.	Part Number	Figure No.	Page No.	Part Number	Figure No.	Page No.	Part Number	Figure No.	Page No.	Part Number	Figure No.	Page No.	Part Number	Figure No.	Page No.	Part Number	Figure No.	Page No.			
JP233032	20	41	JP402400	1A	50	JU231206	38	52	JY181000	37	52	JY511223	3	14	JY541081	17	2	JY551230	7	8	JY571033	13	18
JP233035	11	41	JP402401	1	50	JU511204	9	14	JY181255	9	33	JY511225	6	14	JY541082	20	2	JY551231	3	8	JY581028	10A	33
JP233036	12	41	JP403000	7	44	JU581006	11	33	JY181408	2	39	JY511226	11	14	JY541206	27	20	JY551232	12	9	JY581200	9A	22
JP233039	23	41	JP511001	22	17	JU581006	19	22	JY191008	5	27	JY511227	11	16	JY541208	9	19	JY551233	2	9	JY581201	4A	22
JP233040	24	41	JP561400	11	11	JU581413	9	22	JY191008	19	37	JY511229	9	16	JY541220	16	3	JY551234	7	9	JY581404	8A	22
JP233041	9	41	JP561401	13	11	JW181229	9	50	JY231000	1	53	JY511238	15	16	JY541221	4	3	JY551235	5	9	JY581405	11A	33
JP233042	10	41	JP561402	14	11	JY113015	12	46	JY231001	10	53	JY511248	2	14	JY541222	24	19	JY551236	10	9	JY581405	19A	22
JP233043	21	41	JP561403	21	11	JY113015	17	11	JY231002	14	53	JY511249	1	14	JY541225	12	3	JY551237	4	9	JY591009	16	32
JP233044	22	41	JP581002	1A	33	JY113025	10	46	JY231204	19	51	JY511269	2A	16	JY541227	14	19	JY551240	16	9	JY591245	21	32
JF351404	10	22	JP581003	5	33	JY113025	18	11	JY351023	3	19	JY511271	4	16	JY541251	5	3	JY551240	26	43	JY591246	20	32
JY351417	10A	22	JP581008	4	33	JY113800	10	12	JY351025	4	19	JY511272	1A	16	JY541253	19	3	JY551401	3	7	JY591275	2	32
JP351800	15	33	JP581013	6	33	JY113801	9	12	JY351200	22	19	JY511274	1	16	JY541254	1	3	JY551402	20	19	JY591278	11	32
JP401001	14	51	JP581014	13	33	JY113821	3	40	JY351203	11	19	JY511276	2	16	JY541255	26	20	JY551403	4	7	JY591279	12	32
JP401003	1	48	JP581018	7	33	JY113821	7	34	JY351205	13	19	JY521003	7A	5	JY541274	1	19	JY551404	6	3	JY591280	13	32
JP401004	15	51	JP581019	3	33	JY113821	7	50	JY351607	1	21	JY521006	4	5	JY541276	2	19	JY551430	1	7	JY591286	14	32
JP401005	16	51	JP581020	31	35	JY113837	6	27	JY351801	3	2	JY521012	7	5	JY551005	6	9	JY551435	6	7	JY591287	15	32
JP401006	17	51	JP581028	1	33	JY113842	11	36	JY401024	6	51	JY521214	6A	5	JY551006	1	9	JY551436	7	7	JY591297	18	32
JP401007	18	51	JP581035	17	33	JY113874	12	22	JY401025	7	51	JY521220	5A	5	JY551008	3	9	JY551437	8	7	JY591299	1	32
JP401018	11	49	JP581036	12	33	JY113877	15	22	JY401404	12	25	JY521226	6	5	JY551010	6	8	JY551438	5	7	JY591303	19	32
JP401018	21	48	JP601204	1	13	JY121011	19	23	JY401407	4A	25	JY521236	5	5	JY551018	14	9	JY551439	9A	7	JY591308	10	21
JP401019	12	49	JP601206	7	13	JY122004	8	31	JY401408	8	29	JY531005	3	6	JY551019	15	7	JY551440	10	7	JY601226	14	13
JP401019	22	48	JP601209	1	12	JY131201	16A	43	JY401410	23	44	JY531008	10	6	JY551021	2	8	JY551441	11	7	JY601235	3	12
JP401401	5	25	JP601210	11	13	JY131823	4A	45	JY402246	27	44	JY531026	8	6	JY551022	1	8	JY551442	12	7	JY601241	12	12
JP401402	4	25	JP601211	12	13	JY151011	18	23	JY403604	5	44	JY531030	1	6	JY551027	8	9	JY551443	13	7	JY601248	4	12
JP401406	5A	25	JP601212	10	13	JY151015	3	25	JY511048	2	17	JY531033	2	6	JY551029	16A	9	JY551447	9	7	JY601249	5	12
JP401600	2	44	JP601217	21	12	JY151036	2A	25	JY511058	7	16	JY531036	2A	6	JY551029	26A	43	JY561002	7	10	JY601250	6	12
JP401800	12	34	JP611201	1A	22	JY161007	13	25	JY511059	23	17	JY541009	12	16	JY551030	17	9	JY561004	9	10	JY611000	2A	22
JP401801	6	44	JP611206	4	22	JY161008	11A	25	JY511060	24	17	JY541009	15	1	JY551205	11	9	JY561008	8	10	JY621411	4	21
JP401801	30	34	JP611209	1	22	JY161023	10A	25	JY511067	1A	17	JY541031	10	2	JY551212	4	6	JY561013	1	10	JZ151069	15A	25
JP401802	10	34	JP611211	6	22	JY161205	9	25	JY511068	25	17	JY541039	2	10	JY551214	4	8	JY561205	1	11	JZ161028	19	25
JP402000	9	44	JR131221	24	50	JY171007	13	22	JY511070	5A	17	JY541040	8	21	JY551215	9	8	JY571008	21	18	JZ171021	12	39
JP402200	1A	44	JU113200	5	29	JY171037	26	50	JY511074	4	17	JY541047	11	1	JY551217	13	9	JY571009	8	18	JZ171055	17	36
JP402201	1	44	JU121009	12	23	JY171069	9	36	JY511103	1	17	JY541050	9	2	JY551218	9	9	JY571012	1	18	JZ181000	15	36
JP402202	18	44	JU131004	12	45	JY171070	10	36	JY511108	5	17	JY541052	16	2	JY551220	12	6	JY571015	18	18	JZ232814	25	50
JP402203	7	21	JU131222	16	43	JY171077	2	36	JY511212	10	14	JY541058	6	2	JY551225	3	21	JY571023	2	18	KACA0612	8	27
JP402203	19	44	JU131802	2	43	JY171090	8	36	JY511220	10	16	JY541058	19	9	JY551226	2	21	JY571024	19	18	KACE0616	3	39
JP402217	25	44	JU181408	24	51	JY171090	19	34	JY511221	2A	14	JY541071	32	20	JY551228	8	8	JY571029	19	2	KACF0830	29	34
JP402218	26	44	JU181412	25	51	JY171824	16	36	JY511222	1A	14	JY541080	14	2	JY551229	5	8	JY571030	4	18	KADA0610	25	27

PART INDEX

DUKE 250/390

Part Number	Figure No.	Page No.	Part Number	Figure No.	Page No.	Part Number	Figure No.	Page No.	Part Number	Figure No.	Page No.	Part Number	Figure No.	Page No.	Part Number	Figure No.	Page No.	Part Number	Figure No.	Page No.
KADD0635	14	7	KBUA0512	27	39	LAC00003	17	19	LAD00040	8	47	LBR00007	2	31	LDA00034	4	27			
KADD0825	23	34	KBUA0512	39	52	LAC00006	2	30	LAD00046	18	48	LBR00007	26	31	LDB00011	3	30			
KADM0610	11	12	KBUA0612	41	52	LAC00008	16	49	LAD00075	64	28	LBR00008	3A	50	LDB00016	16	50			
KADM0610	14	22	KBUA0616	2	33	LAC00010	23	23	LAD00077	32	46	LBU00012	24	25	LDB00019	47	28			
KADM0610	20	36	KBUA0616	13	51	LAC00014	23	19	LAD00079	11A	45	LBU00045	17	32	LDB00020	3	3			
KADM0610	22	13	KBUB0512	18	25	LAC00023	27	27	LAD00093	7	47	LBU00048	5	40	LDB00021	14	34			
KADM0612	42	28	KBUB0516	32	35	LAC00024	6	10	LAD00093	30	43	LBU00048	17	49	LDB00031	26	51			
KADM0620	9	37	KBUF0514	14	48	LAC00024	11	17	LAD00093	16A	42	LBU00048	19	50	LDB00033	6	6			
KADM0620	14	46	KCAJ0605	15	46	LAC00032	12	17	LAD00124	16	6	LBU00049	37	28	LDB00034	4	43			
KADM0620	27	51	KCAJ0605	49	28	LAC00039	16	34	LAD00124	19	19	LBU00050	7	40	LDB00036	27	23			
KADM0620	50	28	KCBB1006	13	49	LAC00054	16	12	LAD00133	7	29	LBU00050	8	34	LDB00041	15	6			
KADM0622	12	11	KCBB1006	28	50	LAC00054	22	31	LAD00145	16	37	LBU00050	11	50	LDB00041	18	19			
KADM0625	10	44	KCEE0605	18	12	LAC00054	34	35	LAD00154	4	38	LBU00050	23	27	LDB00051	9	4			
KADM0820	3	44	KCGJ1010	3	51	LAC00061	57	28	LAD00189	40	52	LBU00052	25	31	LDB00055	12	31			
KADQ0620	14	4	KCGJ1010	61	28	LAC00076	3	16	LAE00001	17	1	LBU00054	22	50	LDB00065	54	28			
KADQ0625	6	21	KCGK0606	10	51	LAC00085	8	30	LAE00002	23	2	LBU00059	11	39	LDFO0002	5	51			
KADQ0625	22	32	KCJA0606	33	46	LAC00086	10	4	LAE00010	2	2	LBU00062	8	33	LDFO0002	24	48			
KAED0614	9	40	KCKE0507	8	39	LAC00089	9	32	LAE00010	6	29	LCA00005	25	48	LDH00002	13	6			
KAED0635	8	40	KDAA1018	58	28	LAC00092	35	26	LAE00010	15	2	LCA00008	9	31	LFB00001	7A	6			
KAEG0645	8	16	KDAE0408	5	49	LAC00093	3	27	LAE00015	40	28	LCA00008	11	51	LHA00002	20	27			
KAEM0610	11	47	KDAE0408	7	48	LAC00095	32	52	LAE00016	8	19	LCG00002	11	6	LHD00001	20	18			
KAEM0610	36	28	KDBA0613	7	27	LAC00096	33	52	LAE00016	11	21	LCG00003	4	30	LJA00001	26	17			
KAEM0616	8	44	KDBA0818	13	37	LAC00100	17	37	LAE00016	25	19	LCG00003	11	31	LJA00002	10	18			
KAEM0620	14	47	KDBE0613	29	51	LAC00101	9	48	LAE00017	18	9	LCG00004	6	31	LJA00002	13	2			
KAEM0620	24	44	KDBE0818	19	27	LAC00111	31	26	LAE00017	27	17	LCG00006	15	17	LJA00004	15	18			
KAEQ0616	14	18	KDBF0512	6	39	LAC00112	21	51	LAE00018	6	18	LCG00009	17	7	LJA00006	9	18			
KAEQ0620	5	16	KDBF0512	13	48	LAC00113	55	28	LAE00022	11	34	LCH00001	10	29	LJA00007	28	20			
KAEQ0635	14	3	KDCF0612	14	12	LAC00114	7	30	LAE00041	18	13	LCH00001	37	26	LPA00004	18	7			
KAEQ0635	16	19	KEAB1010	3	18	LAC00115	44	28	LAE00042	9	21	LCL00002	7	12	LPB00002	12	2			
KAEQ0635	22	2	KEBA3715	5	2	LAC00116	16	25	LAE00048	4	4	LCL00002	12	47	LPB00003	7	2			
KAEQ0640	8	17	KPAC6205	20	43	LAC00118	20	51	LAE00050	24	31	LCL00002	16		PA402204	13	44			
KAEQ0650	15	19	KPBC6202	4	42	LAC00120	31	20	LAE00051	29	46	LCL00004	22	43	PA402204	40	26			
KBBA0512	16	33	KPBC6202	13	43	LAC00126	34	24	LAE00053	31	46	LDA00012	4	51	PD402211	10	48			
KBBE0408	12	21	KPBC6302	11	43	LAC00127	8	32	LBB00005	16	42	LDA00012	23	48						
KBBJ0514	7	39	KPBF6304	2	4	LAD00037	11	45	LBB00007	11	2	LDA00014	6	17						
KBRD3510	4	49	LAA00007	10	31	LAD00038	59	28	LBB00010	14	33	LDA00015	13	17						
KBRD3513	6	48	LAA00023	25	34	LAD00039	60	28	LBC00003	18	22	LDA00017	7	18						
KBRD4213	9	51	LAA00030	8	50	LAD00040	8	12	LBR00002	3	50	LDA00018	22	34						

